



US00D576435S

(12) **United States Design Patent**
Snell

(10) **Patent No.:** **US D576,435 S**
(45) **Date of Patent:** **** Sep. 9, 2008**

(54) **OVER THE CABINET PAPER TOWEL HOLDER**

D540,593 S * 4/2007 Hoernig D6/523

(75) Inventor: **Russell Benton Snell**, Bentleyville, OH (US)

(73) Assignee: **InterDesign, Inc.**, Solon, OH (US)

(**) Term: **14 Years**

(21) Appl. No.: **29/301,886**

(22) Filed: **Mar. 20, 2008**

(51) **LOC (8) Cl.** **06-04**

(52) **U.S. Cl.** **D6/522; D6/513**

(58) **Field of Classification Search** D6/546-550, D6/518-519, 522-524; D8/300, 303, 315-321; 108/28-29; 211/13.1, 16, 60.1, 86.01, 87.01, 211/88.01, 88.04, 100, 105.1-105.2, 123, 211/181.1, 182; 248/175, 176.1, 251, 302; 16/110.1, 412, 415; 242/570, 590, 595-598
See application file for complete search history.

(56) **References Cited**

U.S. PATENT DOCUMENTS

D385,446 S	10/1997	Keserica	
D402,491 S *	12/1998	Tucker D6/513
D420,842 S *	2/2000	Thurston-Chartraw D6/513
D429,899 S *	8/2000	Schwartz D6/327
D433,316 S	11/2000	Snell	
D438,413 S *	3/2001	Hawkins D6/513
D457,762 S *	5/2002	Hawkins D6/513
D459,930 S	7/2002	Snell	
D460,650 S	7/2002	Snell	
D461,082 S	8/2002	Snell	
D466,396 S	12/2002	Snell	
D532,228 S	11/2006	Snell	
D540,591 S *	4/2007	Snell D6/523

OTHER PUBLICATIONS

InterDesign, Inc. Product Brochure—2001, pp. 9, 27, 28, 30-33.
InterDesign, Inc. Product Brochure—2003, pp. 46.
InterDesign, Inc. Product Brochure—2004, pp. 9, 10, 26, 28, 30-33.
InterDesign, Inc. Product Brochure—2005, p. 41.
InterDesign, Inc. Product Brochure—2007, pp. 44, 55, 59, 60.

* cited by examiner

Primary Examiner—Brian N Vinson

(74) *Attorney, Agent, or Firm*—D. Peter Hochberg; Sean F. Mellino

(57) **CLAIM**

The ornamental design for an over the cabinet paper towel holder, as shown and described.

DESCRIPTION

FIG. 1 is a perspective view of the over the cabinet paper towel holder according to the invention;

FIG. 2 is a top view of the over the cabinet paper towel holder as shown in FIG. 1;

FIG. 3 is a front view of the over the cabinet paper towel holder as shown in FIG. 1;

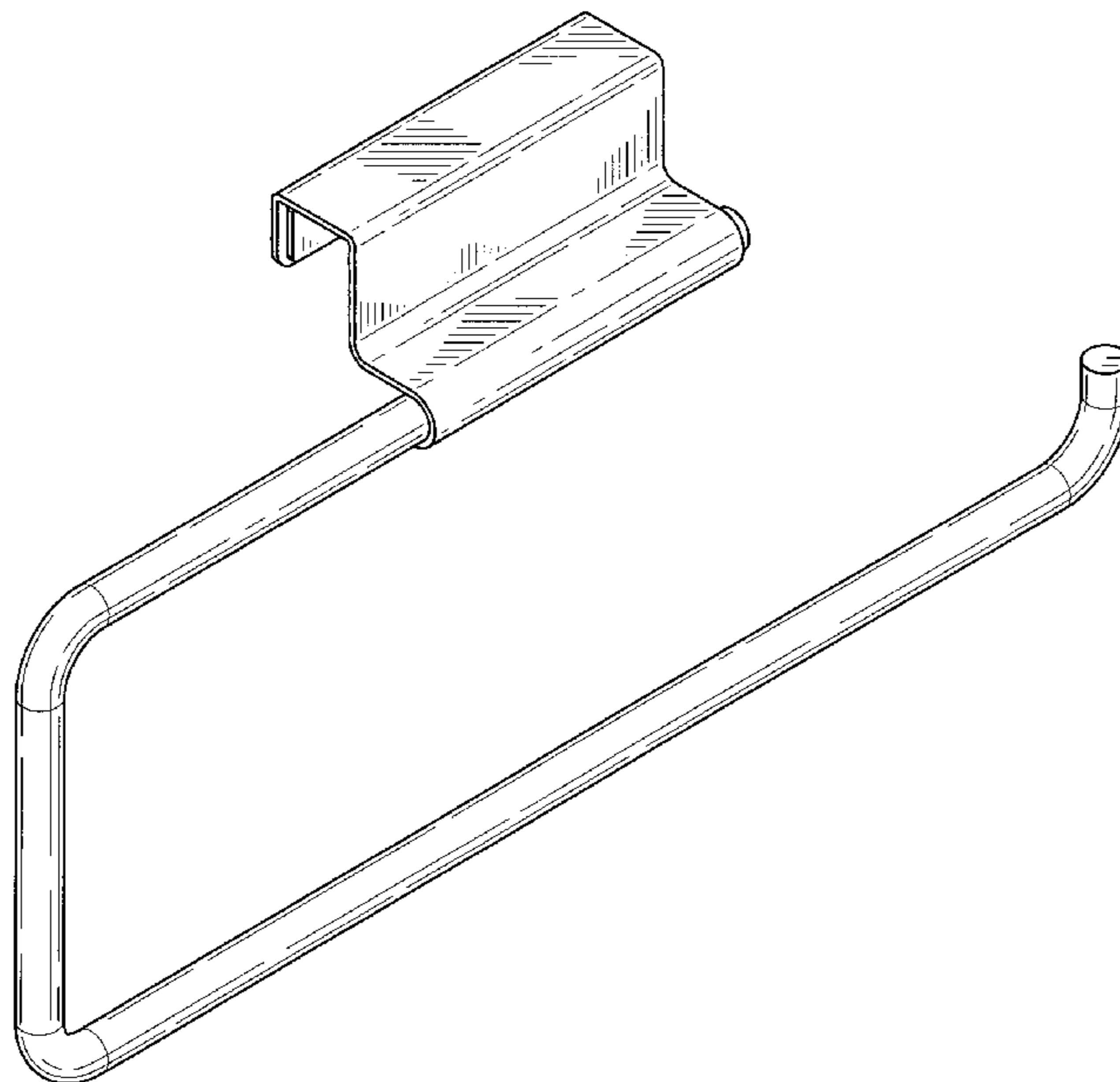
FIG. 4 is a side view of the over the cabinet paper towel holder as shown in FIG. 1;

FIG. 5 is a rear view of the over the cabinet paper towel holder as shown in FIG. 1;

FIG. 6 is a side view of the over the cabinet paper towel holder as shown in FIG. 1, viewed from the opposite side as that shown in FIG. 4; and,

FIG. 7 is a bottom view of the over the cabinet paper towel holder as shown in FIG. 1.

1 Claim, 3 Drawing Sheets



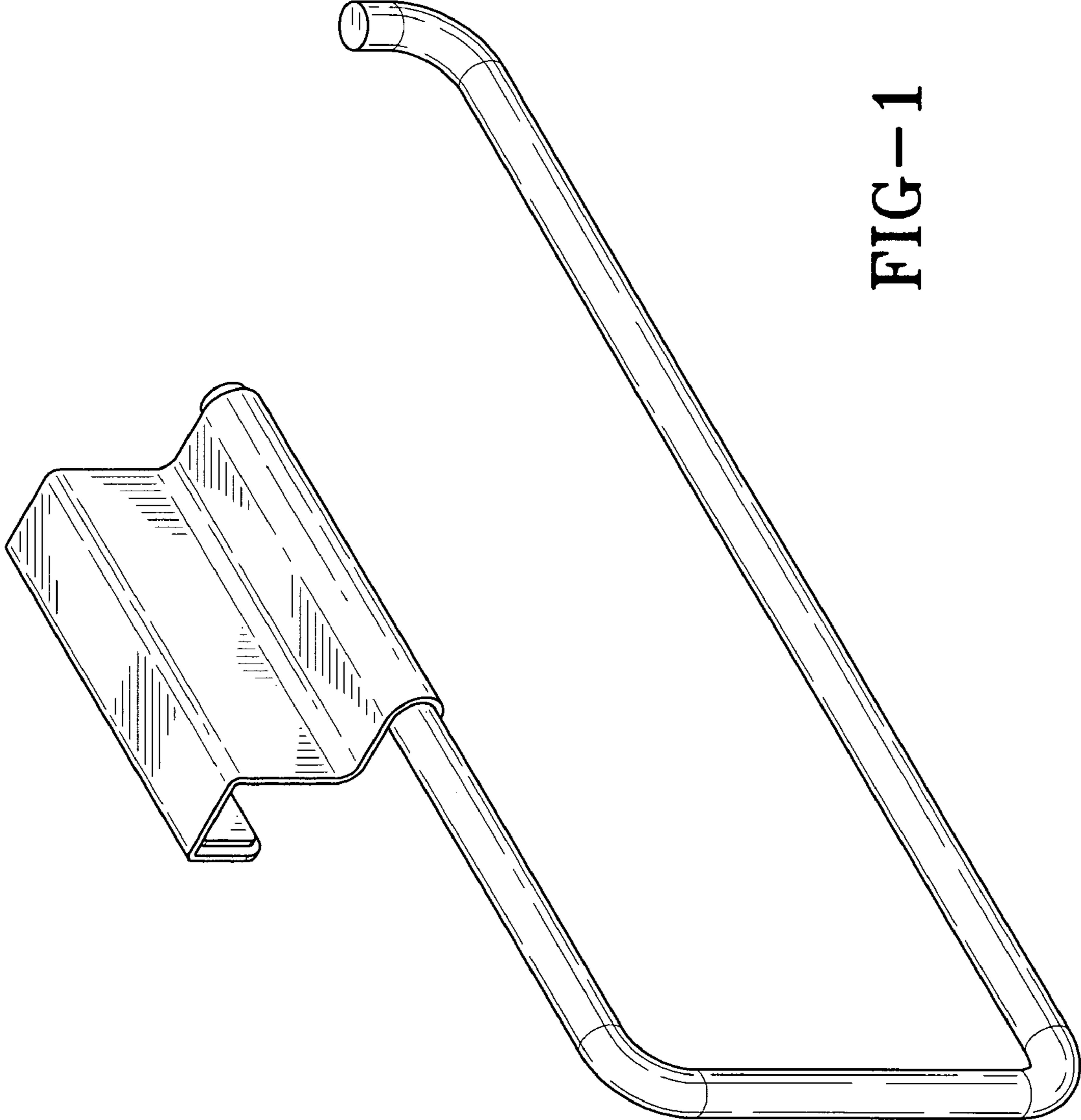


FIG-1

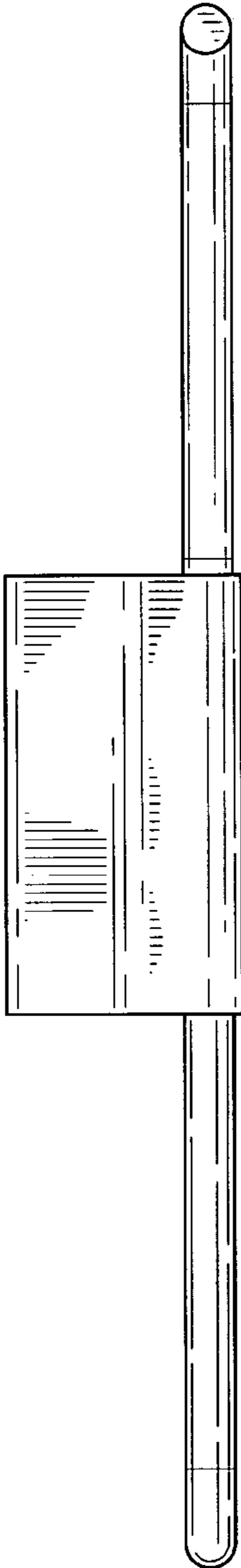


FIG-2

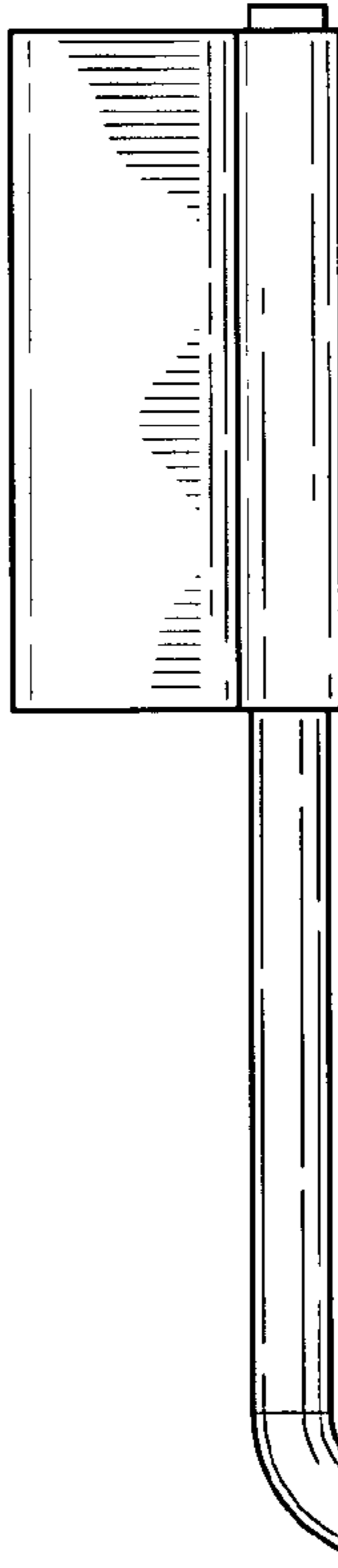


FIG-3



FIG-4

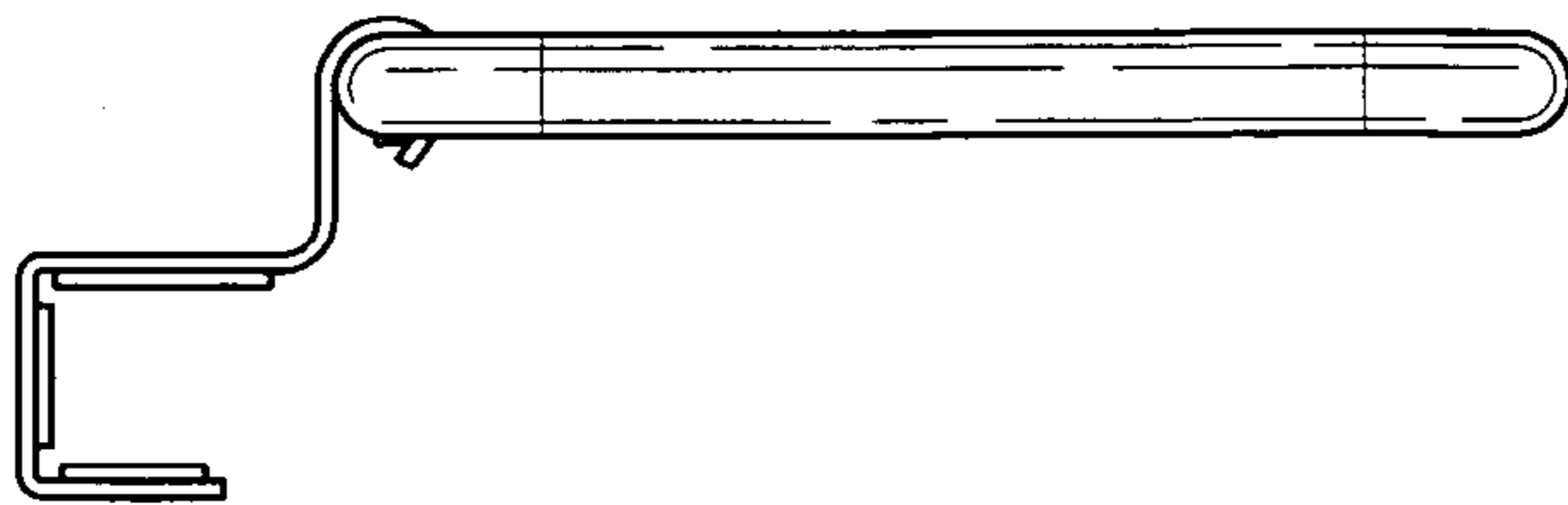


FIG-6

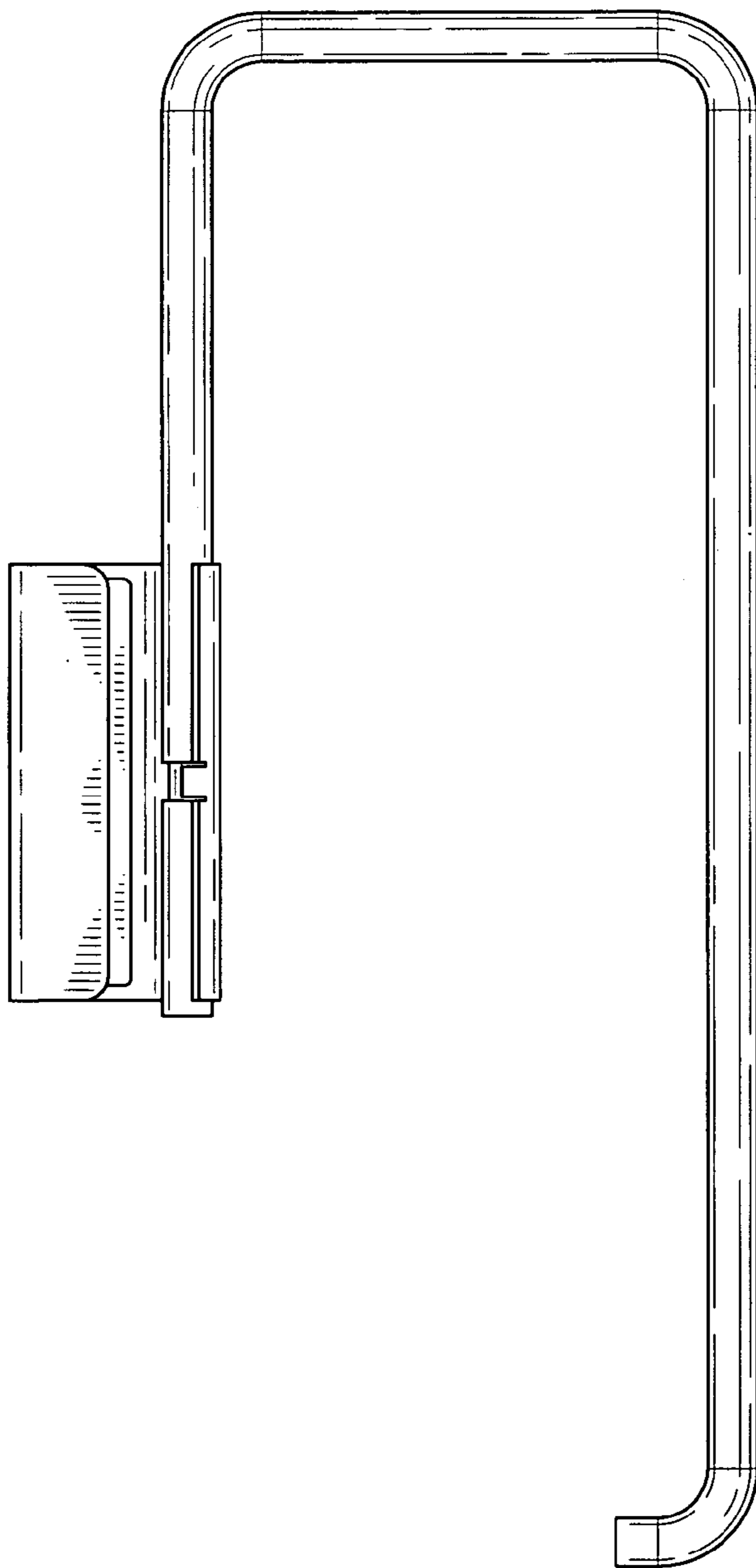


FIG-5

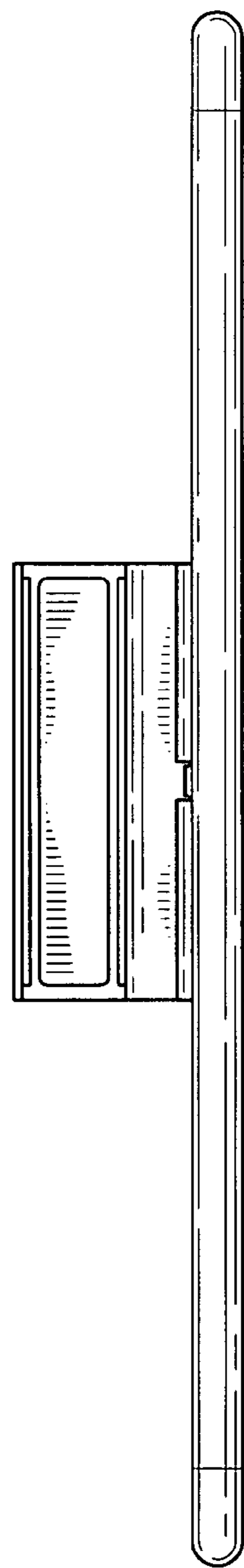


FIG-7