



US00D576433S

(12) **United States Design Patent**
Che

(10) **Patent No.:** **US D576,433 S**
(45) **Date of Patent:** **** Sep. 9, 2008**

(54) **PET WASTE BAG DISPENSER**

(76) Inventor: **Peter Che**, 10322 E. Rush St., El Monte,
CA (US) 91733

(**) Term: **14 Years**

(21) Appl. No.: **29/278,417**

(22) Filed: **Mar. 29, 2007**

(51) **LOC (8) Cl.** **30-04**

(52) **U.S. Cl.** **D6/518; D30/153; D30/199**

(58) **Field of Classification Search** D30/151-154,
D30/162, 199, 161, 163; 119/795, 792, 796,
119/161, 867, 858, 868, 856; 225/6, 53,
225/106, 41, 47, 43, 44, 46; 294/1.3, 55,
294/1.5; D9/500-505, 517, 418, 444, 730,
D9/734; D6/515, 518, 522; D7/507, 605,
D7/607, 608, 624.2, 511, 536; D24/199;
215/400; 206/457, 527, 406, 408, 409, 805,
206/389, 407; 242/422.5, 597.4, 419.4, 498.6,
242/598.6, 389, 395, 564, 588.3; 15/257.1;
220/326, 790, 4.23, 4.24, 827; 221/61, 155,
221/197, 281, 63, 70, 277, 64; D3/289, 276
See application file for complete search history.

(56) **References Cited**

U.S. PATENT DOCUMENTS

1,246,830	A *	11/1917	Schulz	225/43
1,508,263	A *	9/1924	Younger	242/398
1,829,577	A *	10/1931	Anderson	30/124
2,522,391	A *	9/1950	McGonigle	119/453
3,648,910	A *	3/1972	Benson et al.	225/53
4,034,926	A *	7/1977	Wegner	242/419.4
4,226,456	A *	10/1980	Barnett	294/1.3
4,328,766	A *	5/1982	Deibert	119/794
D269,301	S *	6/1983	Deibert	D30/153
D278,609	S *	4/1985	Satterelli	D11/2
D298,579	S *	11/1988	Brummett	D30/153
4,875,145	A *	10/1989	Roberts	362/103
D309,158	S *	7/1990	Shattan	D19/89
D316,789	S *	5/1991	McLaughlin	D6/522
D326,203	S *	5/1992	Butler	D6/522
5,127,545	A *	7/1992	French	221/102

5,441,017	A *	8/1995	Lindsay	119/795
5,447,227	A *	9/1995	Kosberg	206/233
5,680,978	A *	10/1997	Pinion	225/106
D394,572	S *	5/1998	Devaney	D6/518
5,864,289	A *	1/1999	Tiemann	340/568.7
6,019,067	A *	2/2000	Carey	119/795
D422,818	S *	4/2000	Fletcher	D6/518
6,076,717	A *	6/2000	Edwards et al.	225/6
6,170,692	B1 *	1/2001	Johnston	220/475
6,240,881	B1 *	6/2001	Edwards et al.	119/795
D464,179	S *	10/2002	Petersen et al.	D30/162
6,588,375	B2 *	7/2003	Benedettini	119/795
6,763,988	B2 *	7/2004	Huang	225/43
D502,622	S *	3/2005	Berger	D6/515
2002/0121248	A1 *	9/2002	Rooks	119/856
2003/0037733	A1 *	2/2003	Benedettini	119/795
2003/0075117	A1 *	4/2003	Lin	119/867
2004/0004013	A1 *	1/2004	Dleter et al.	206/409

* cited by examiner

Primary Examiner—Cathron Brooks
Assistant Examiner—Susan Moon Lee

(57) **CLAIM**

The ornamental design for a pet waste bag dispenser, as shown.

DESCRIPTION

FIG. 1 is a perspective view of a pet waste bag dispenser showing my new design.

FIG. 2 is a front view thereof.

FIG. 3 is a rear view thereof.

FIG. 4 is a right end view thereof.

FIG. 5 is a left end view thereof.

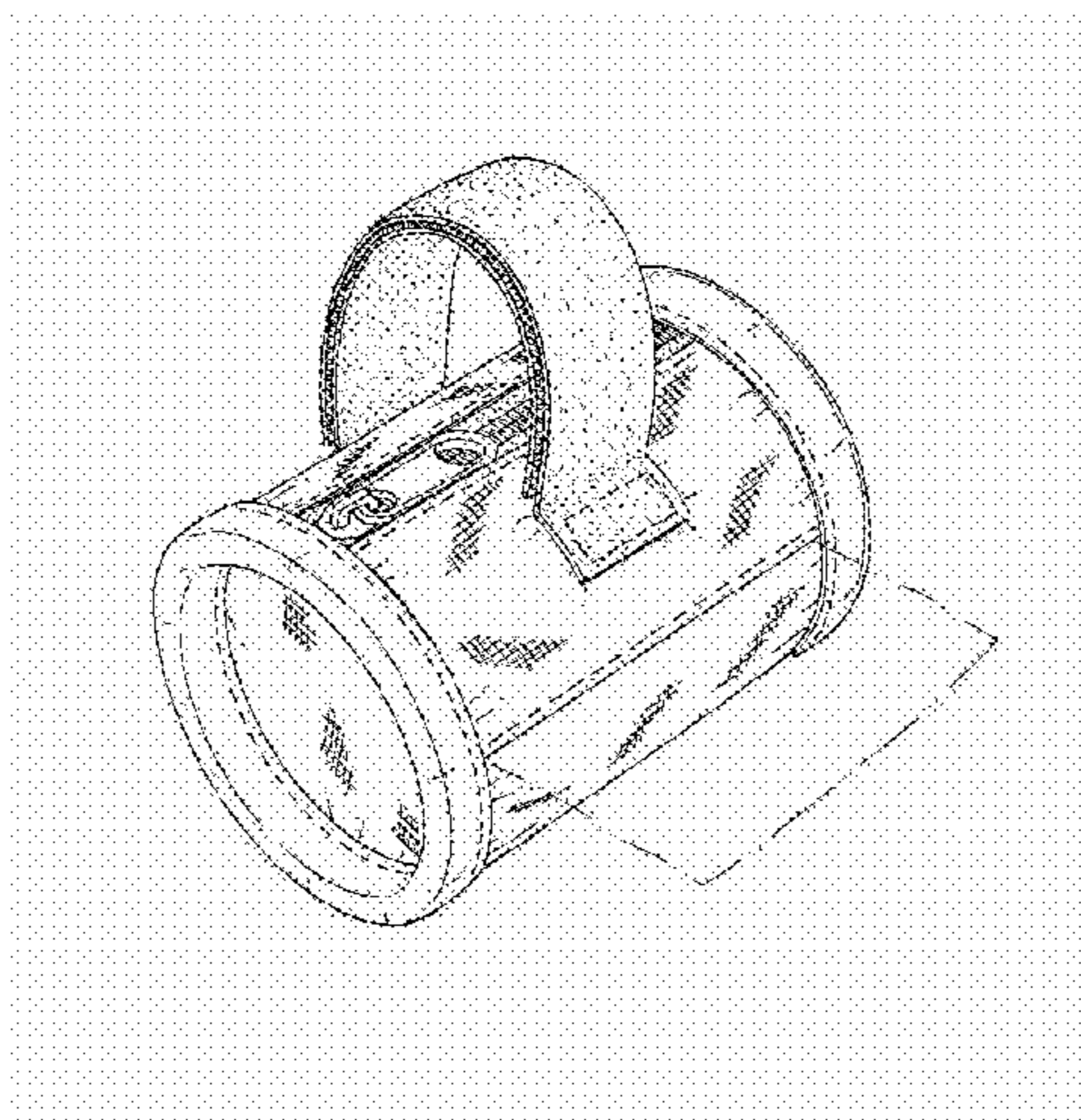
FIG. 6 is a top view thereof.

FIG. 7 is a bottom view thereof; and,

FIG. 8 is another perspective view thereof, with an unclaimed pet waste bag shown in phantom via broken lines for illustrative purposes, and forming no part of the claimed design.

The broken lines on the waste bag dispenser represent stitching and are part of the claimed design.

1 Claim, 8 Drawing Sheets



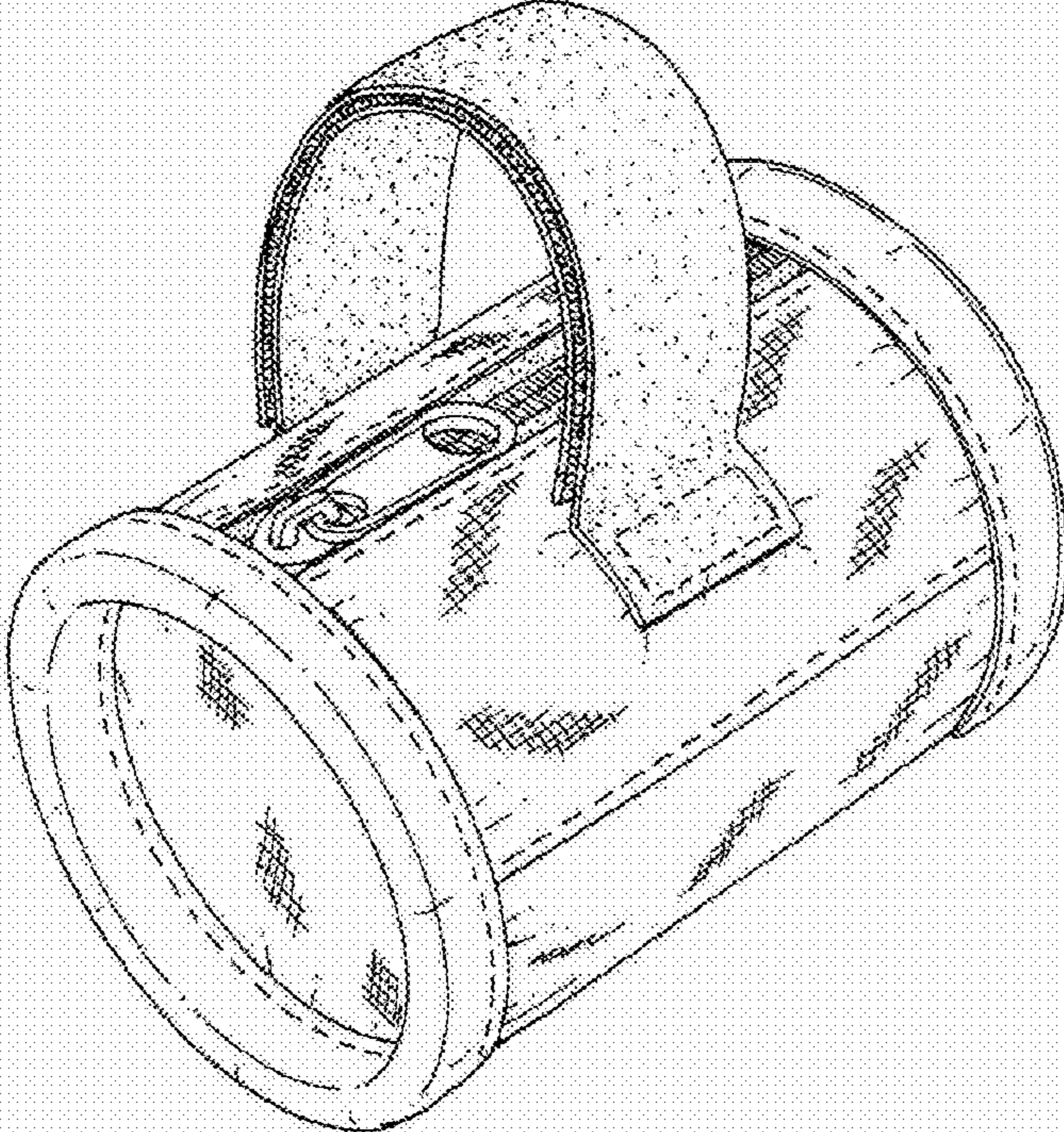


FIG. 1

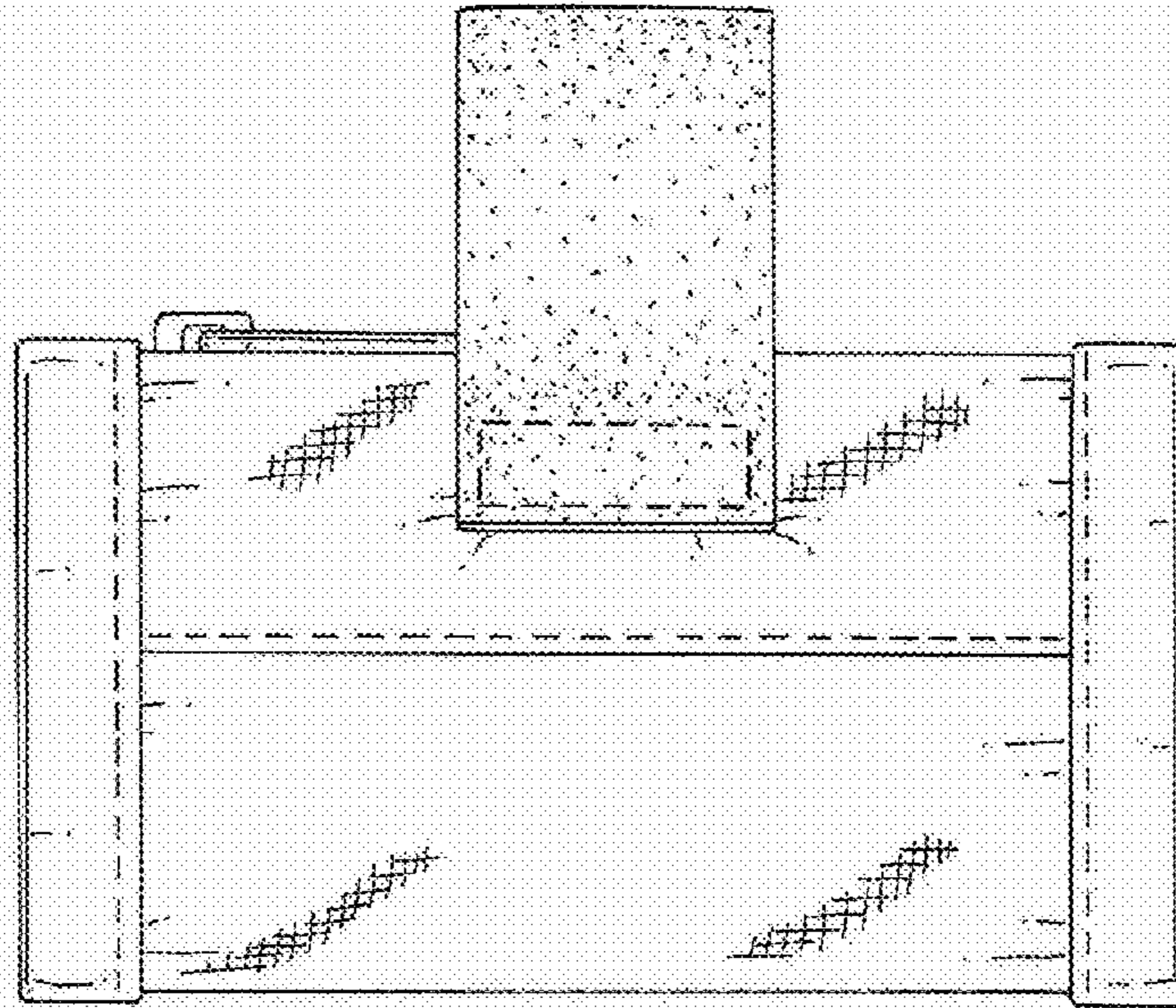


FIG. 2

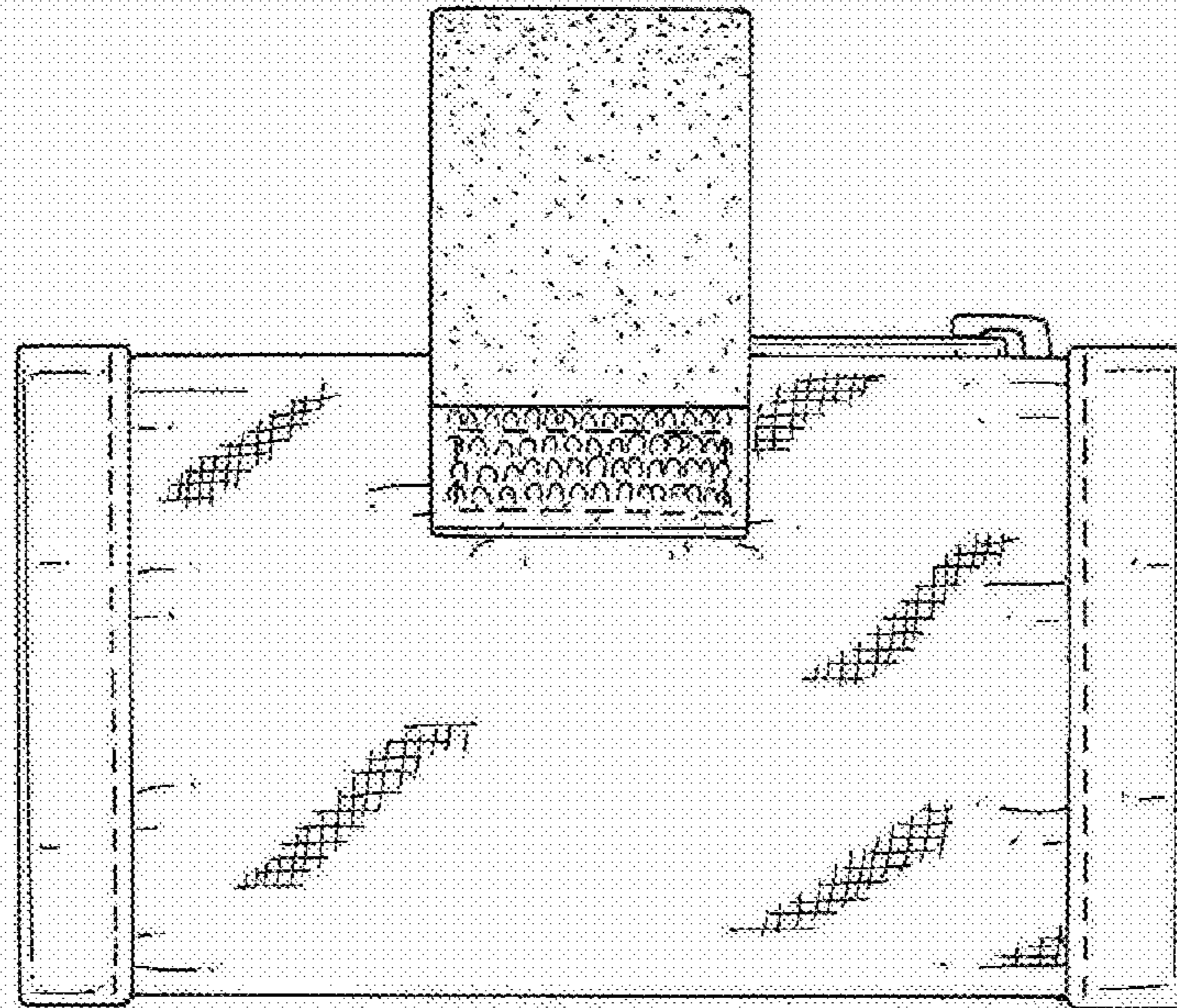


FIG. 3

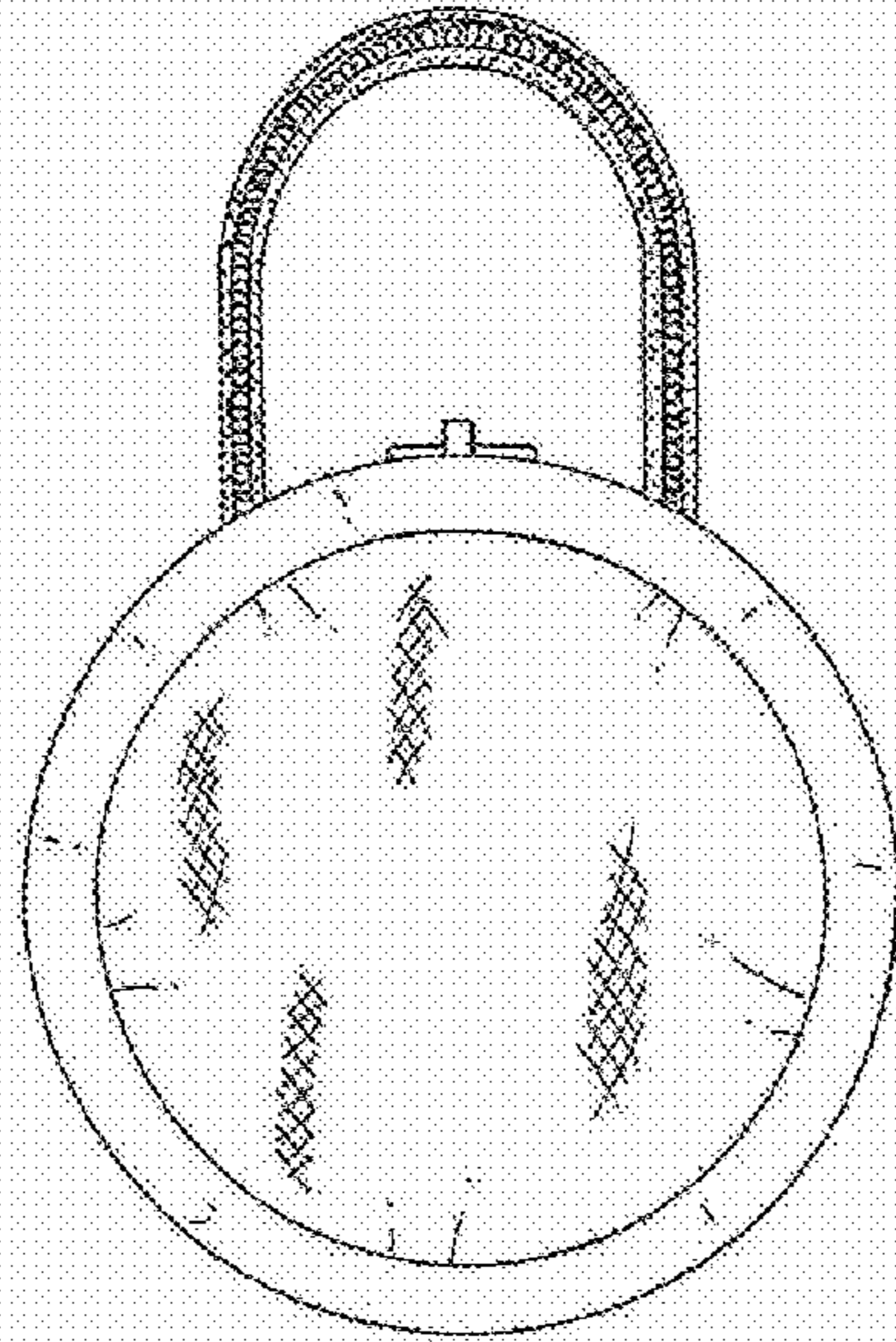


FIG. 4

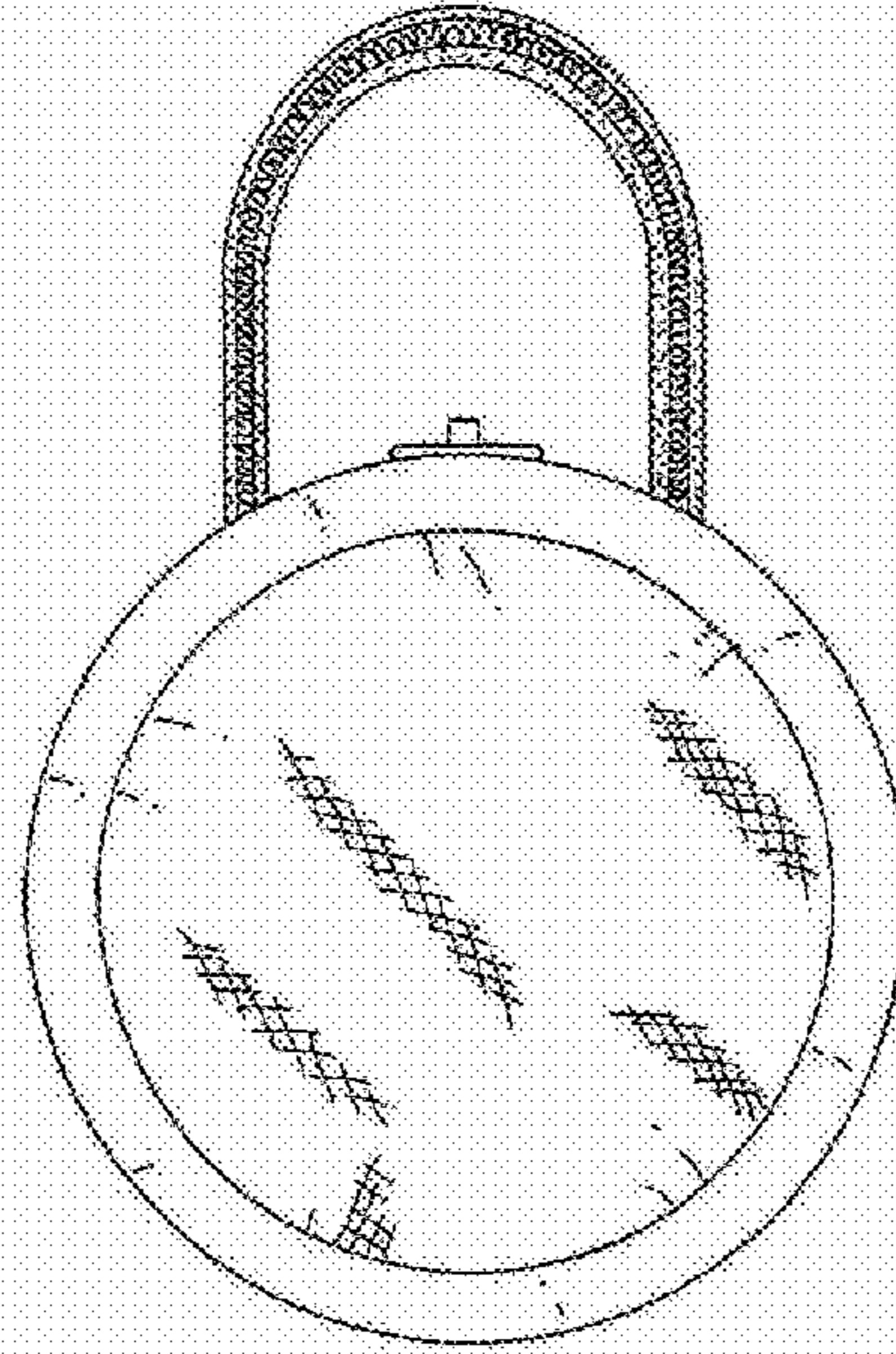


FIG. 5

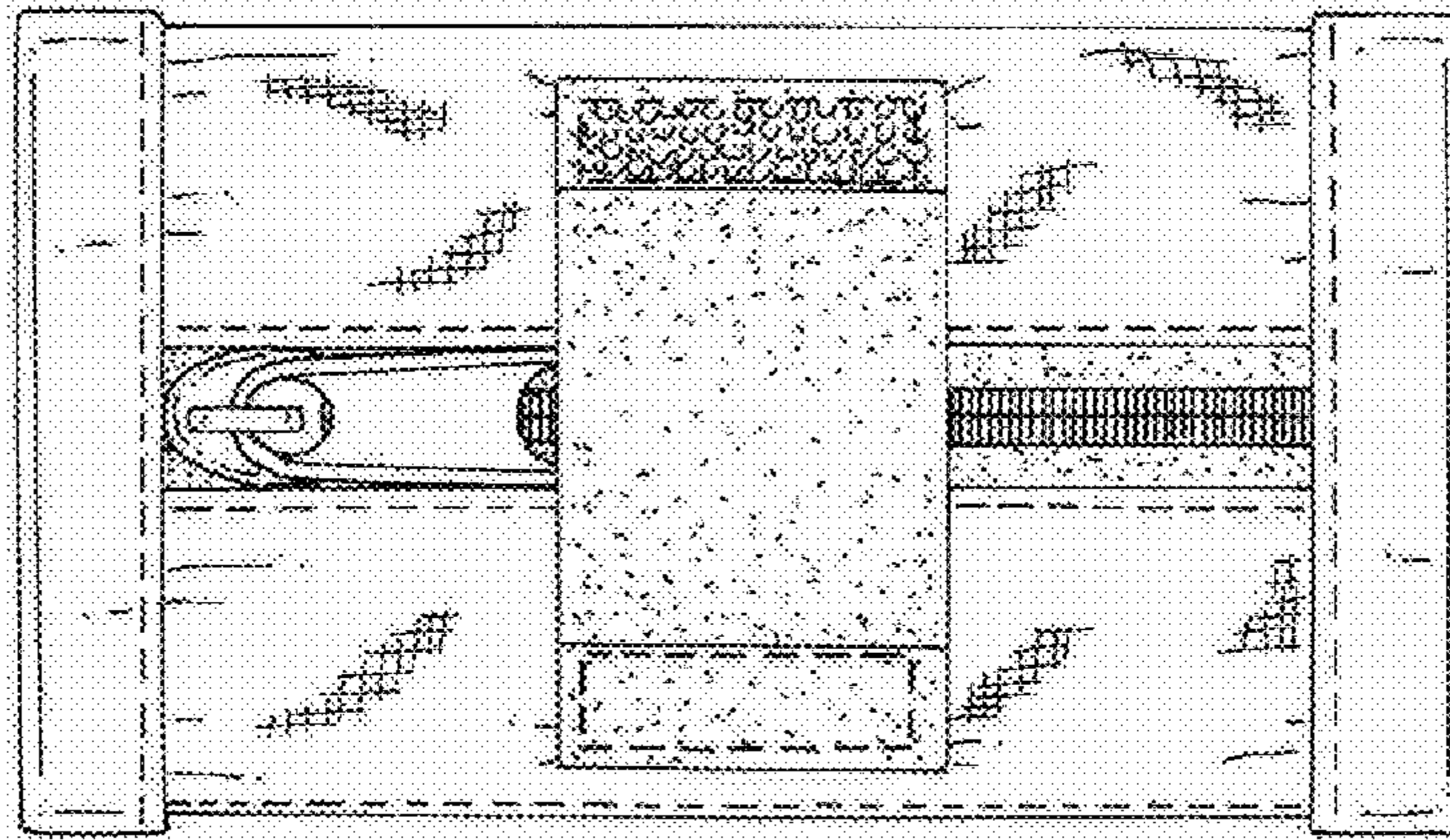


FIG. 6

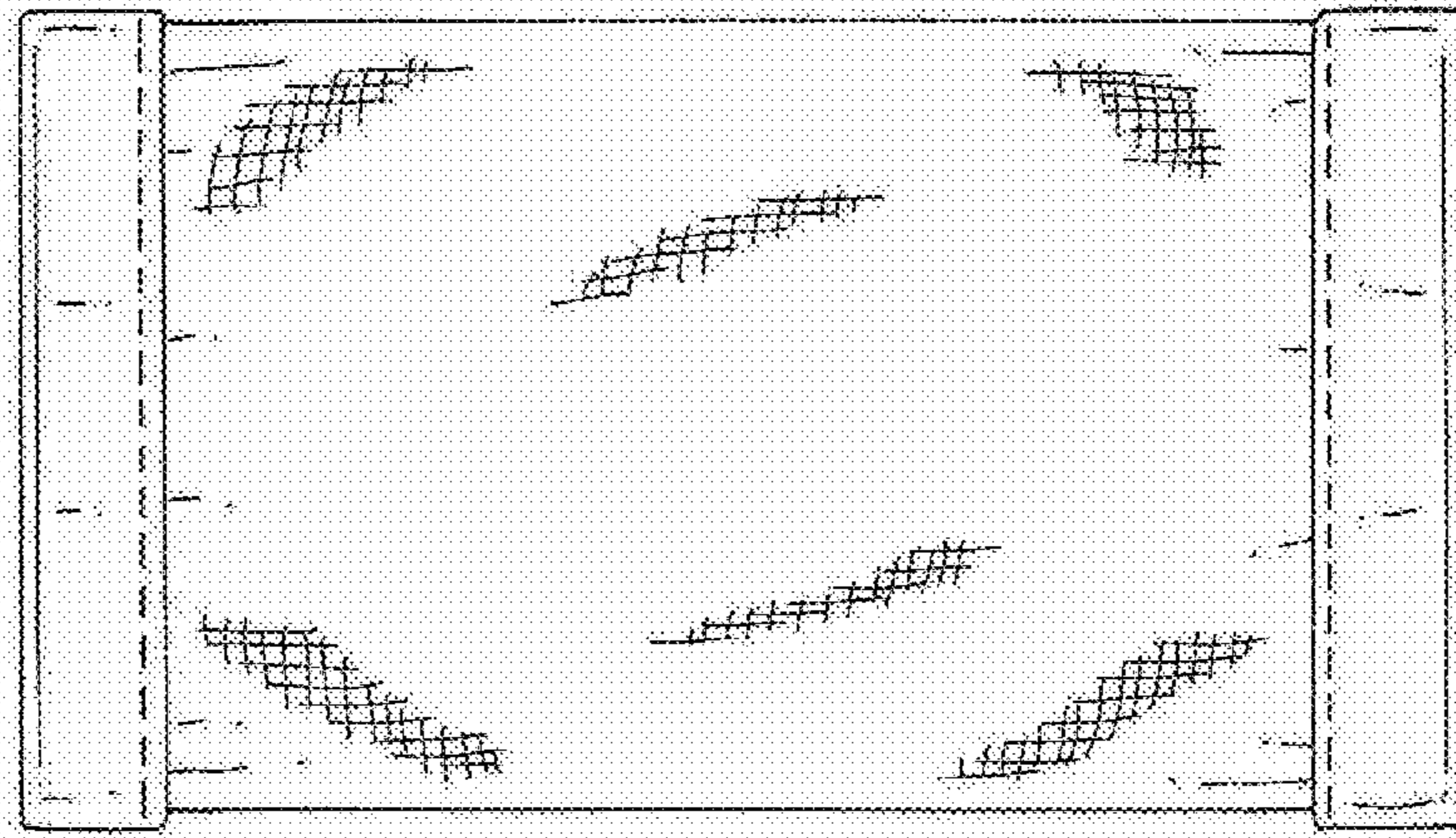


FIG. 7

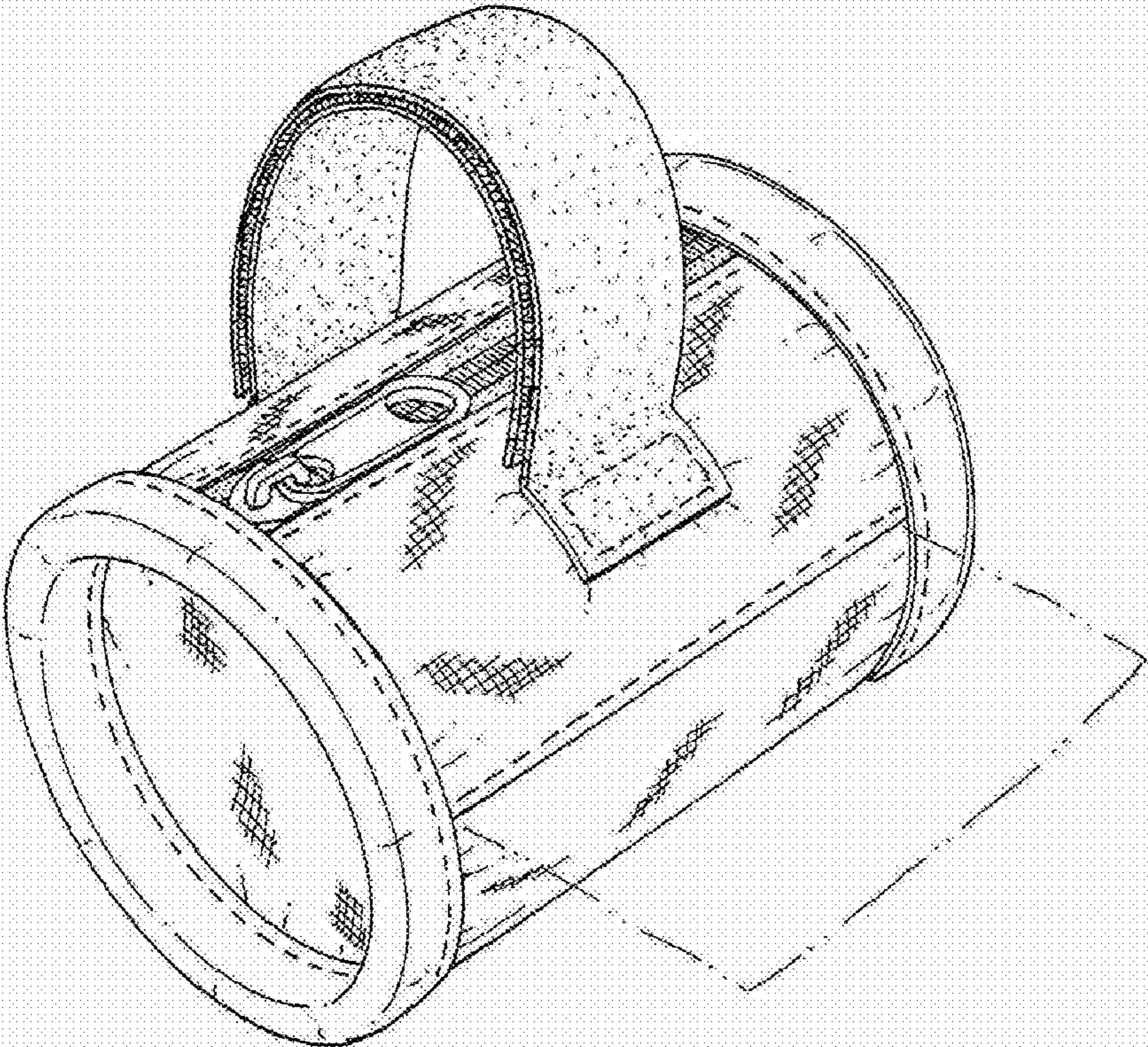


FIG. 8