



US00D576432S

(12) **United States Design Patent**
Siekmann

(10) **Patent No.:** **US D576,432 S**

(45) **Date of Patent:** **** Sep. 9, 2008**

(54) **FURNITURE FRONT**

(75) Inventor: **Ulrich-Wilhelm Siekmann, Löhne (DE)**

(73) Assignee: **SieMatic Möbelwerke GmbH & Co. KG (DE)**

(**) Term: **14 Years**

(21) Appl. No.: **29/283,522**

(22) Filed: **Aug. 16, 2007**

5,375,728 A *	12/1994	West	220/3.8
D418,334 S	1/2000	Brandon	D6/492
D438,636 S *	3/2001	Stuart	D25/48
D442,321 S	5/2001	Cheng	D26/102
D467,756 S	12/2002	Mattick	D6/446
D469,546 S	1/2003	Lilie et al.	D25/60
D473,405 S	4/2003	Lenger	D6/495
D476,176 S	6/2003	Lenger	D6/494
D488,648 S	4/2004	Stanton	D6/494
D510,830 S	10/2005	Brandon	D6/510
D541,137 S	4/2007	Fabrizi	D8/353
D562,780 S *	2/2008	Egea Soler	D13/177
D566,296 S *	4/2008	Walsh et al.	D25/48

Related U.S. Application Data

(62) Division of application No. 29/242,939, filed as application No. PCT/EP2003/013858 on Dec. 6, 2003, now Pat. No. Des. 569,138.

(51) **LOC (8) Cl.** **06-04**

(52) **U.S. Cl.** **D6/509; D6/300**

(58) **Field of Classification Search** D6/509–510, D6/494, 492, 446, 300, 303, 432, 445, 448; D25/48; D8/350–353; 312/109, 240, 245; D19/52

See application file for complete search history.

(56) **References Cited**

U.S. PATENT DOCUMENTS

2,040,556 A *	5/1936	Harrison	160/371
3,255,810 A *	6/1966	Rowbottam	160/354
D232,894 S	9/1974	Dillen	D6/494
D283,548 S	4/1986	Naka	D25/48
D338,718 S	8/1993	Izzo	D25/48

* cited by examiner

Primary Examiner—Elizabeth A. Albert

Assistant Examiner—Kelley A Donnelly

(74) *Attorney, Agent, or Firm*—Bourque and Associates

(57) **CLAIM**

The ornamental design for a furniture front, as shown and described.

DESCRIPTION

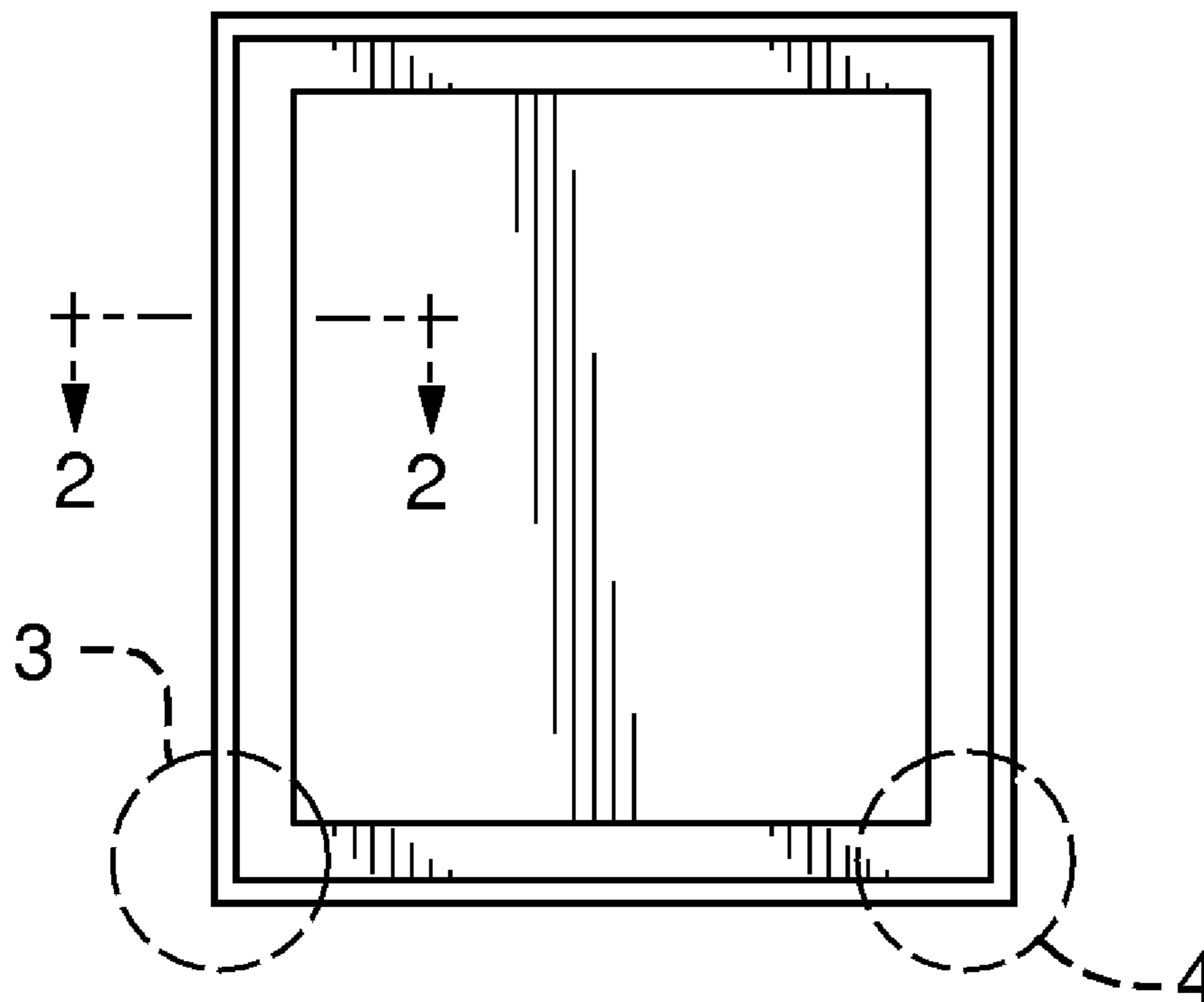
FIG. 1 is a front plan view of the furniture front according to the present invention;

FIG. 2 is a sectional view taken along lines II—II of FIG. 1;

FIG. 3 is a front detail view taken in the area III of FIG. 1; and,

FIG. 4 is a back detail view taken in the back of the area III of FIG. 1.

1 Claim, 1 Drawing Sheet



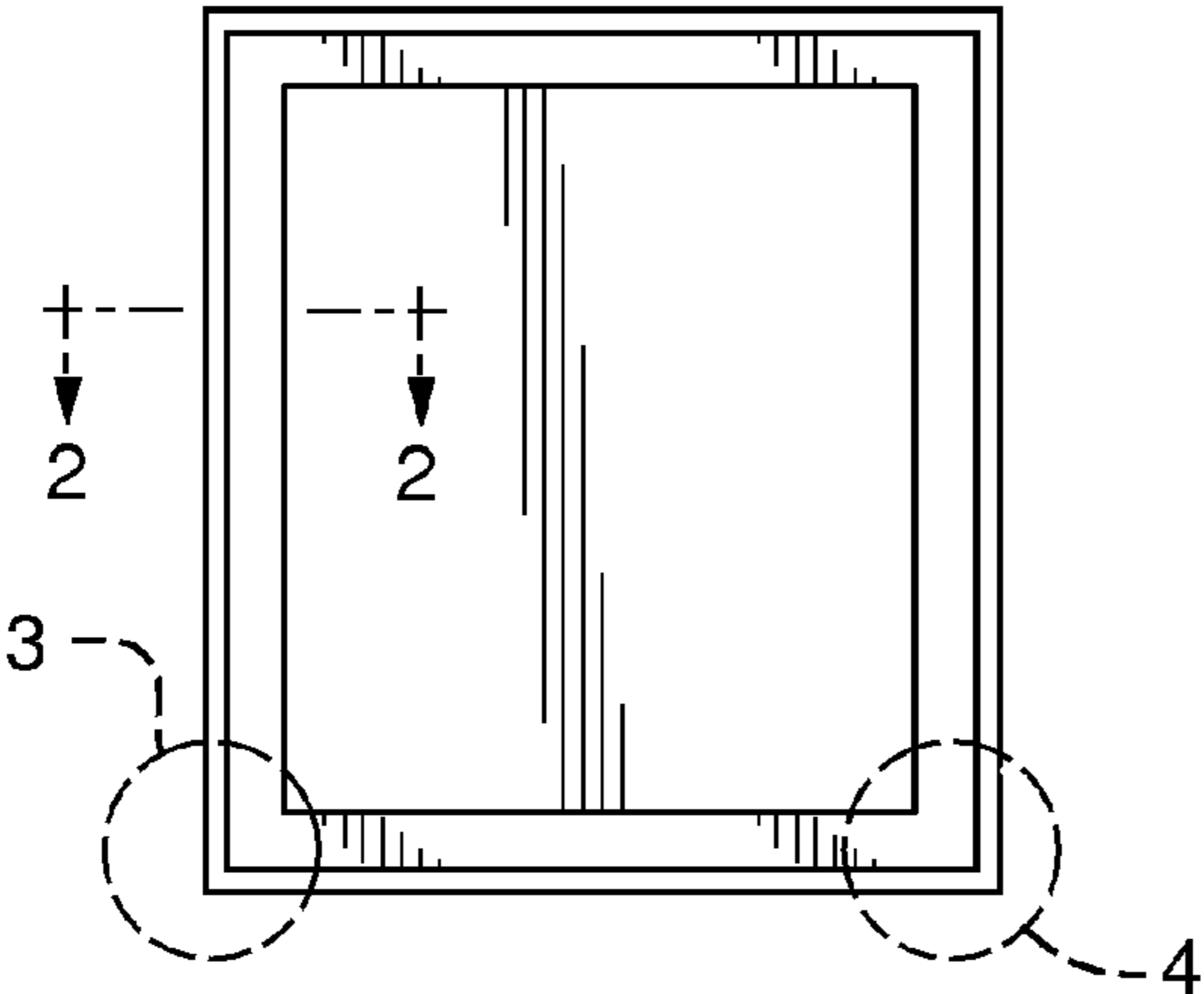


FIG. 1

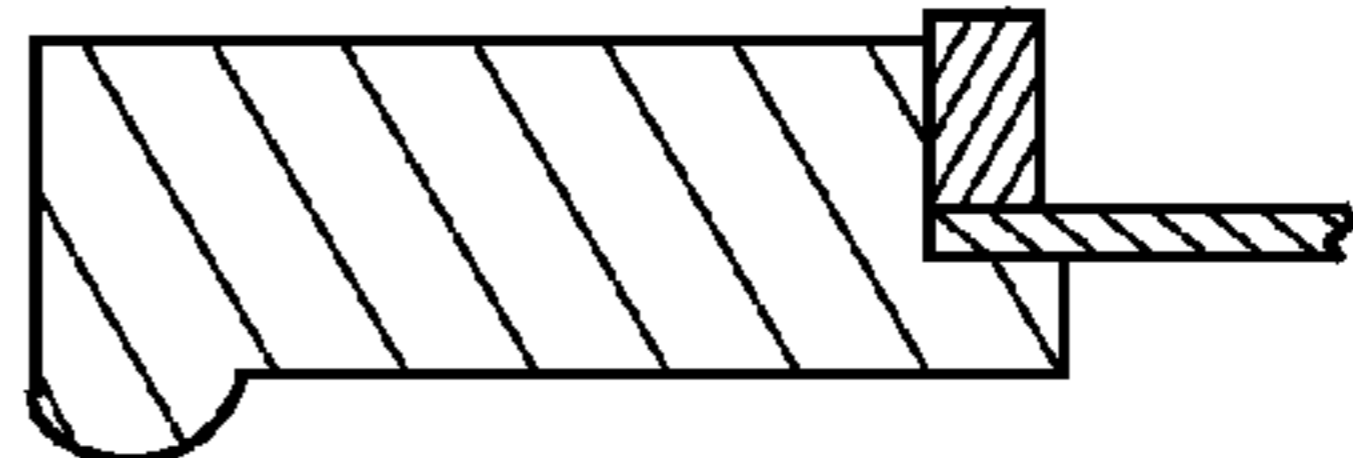


FIG. 2

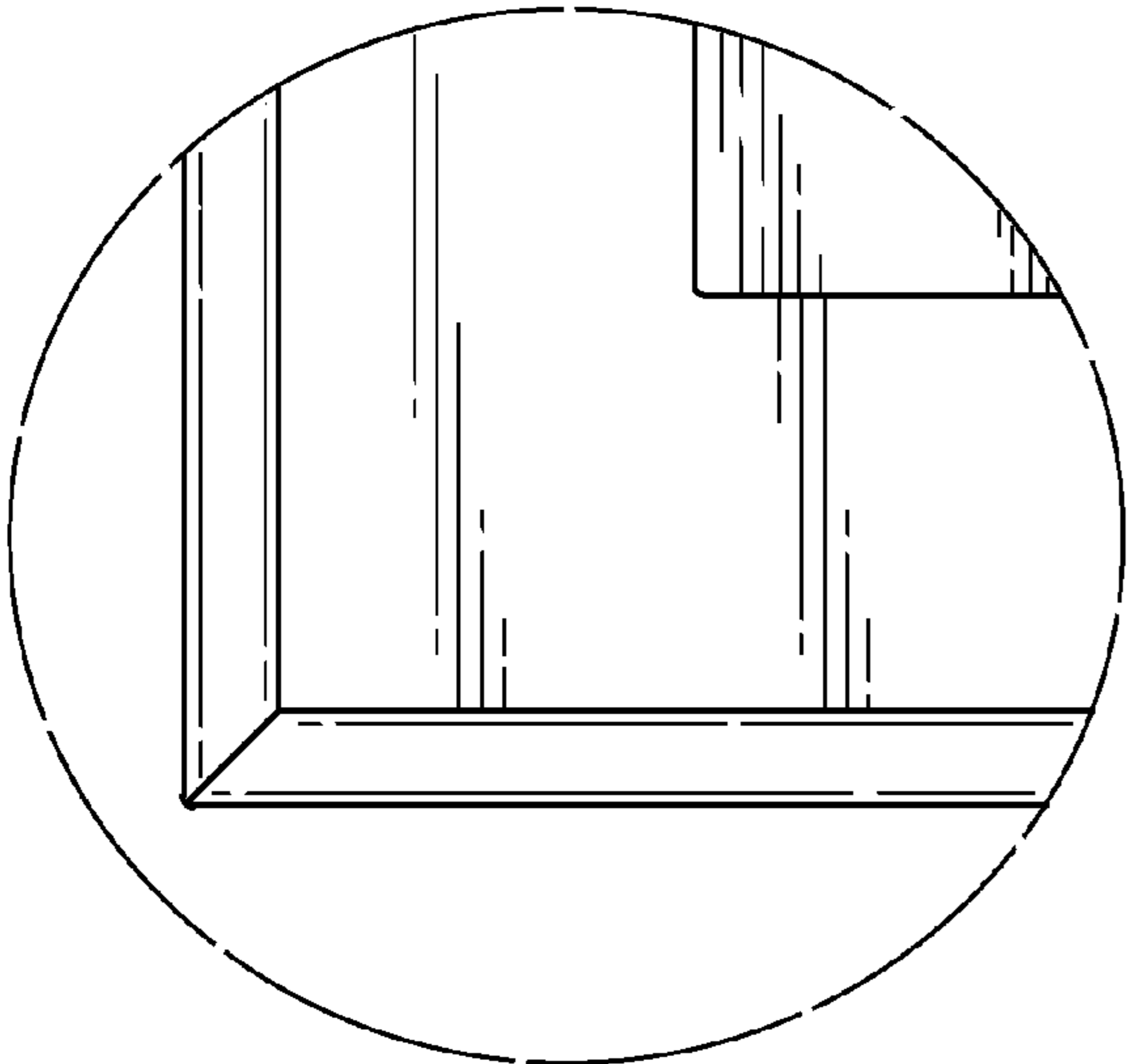


FIG. 3

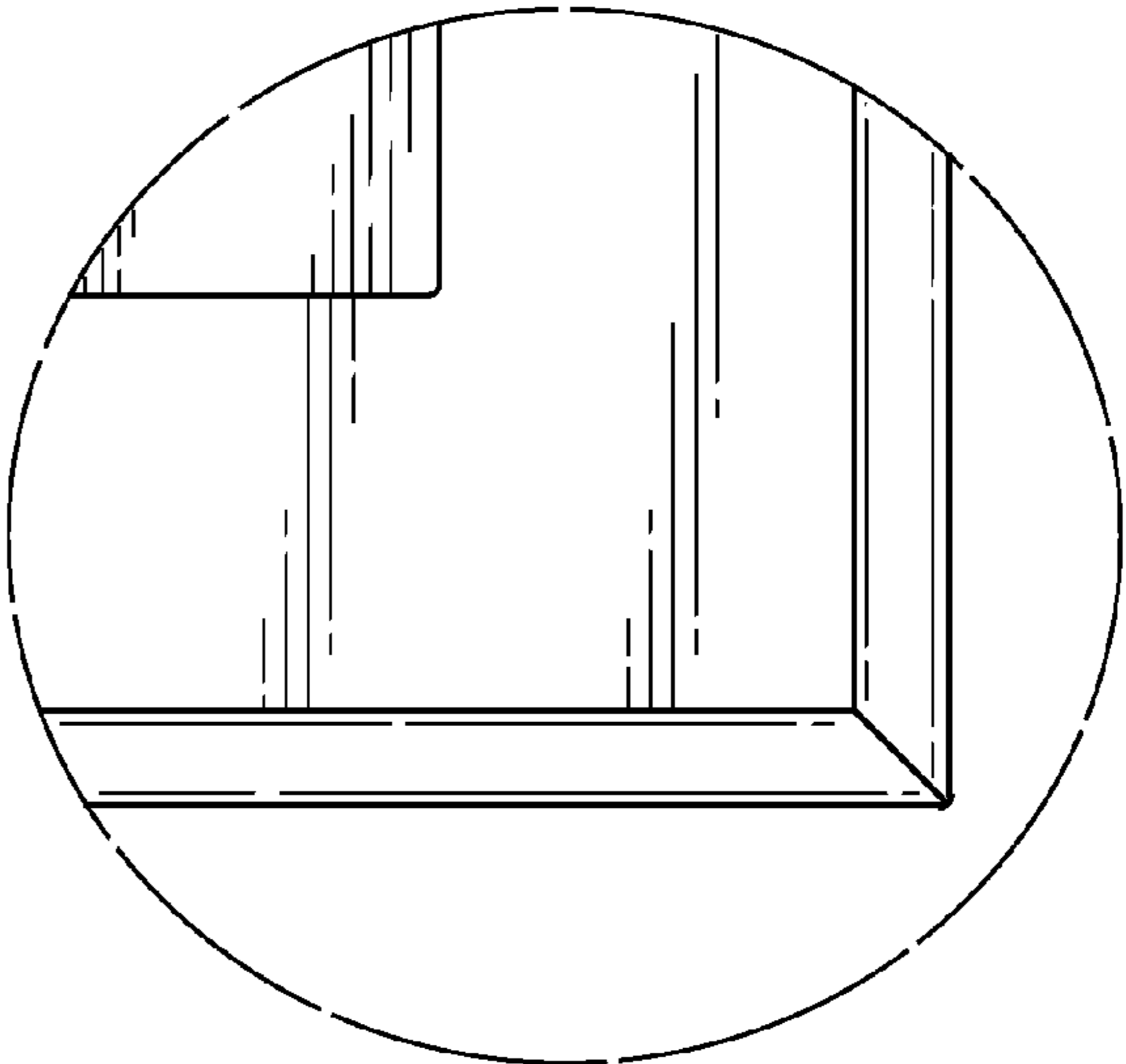


FIG. 4