



US00D576431S

(12) **United States Design Patent**
Held

(10) **Patent No.:** **US D576,431 S**

(45) **Date of Patent:** **** Sep. 9, 2008**

(54) **FITTING FOR FURNITURE**

(75) Inventor: **Wolfgang Held**, Hard (AT)

(73) Assignee: **Julius Blum GmbH**, Hochst (AT)

(**) Term: **14 Years**

(21) Appl. No.: **29/290,168**

(22) Filed: **Oct. 26, 2007**

(30) **Foreign Application Priority Data**

May 3, 2007 (EM) 717137-0002

(51) **LOC (8) Cl.** **06-01**

(52) **U.S. Cl.** **D6/501**

(58) **Field of Classification Search** D6/334-336,
D6/356, 365, 366, 367, 368, 375, 376, 379,
D6/380, 491, 500-502; 297/411.2, 411.23,
297/411.26, 411.3, 411.35, 411.36, 411.38
See application file for complete search history.

(56) **References Cited**

U.S. PATENT DOCUMENTS

D296,094 S * 6/1988 Sheek D6/500
D311,105 S * 10/1990 Stern et al. D6/501
D313,963 S * 1/1991 Gunnarsson et al. D6/501
D343,537 S * 1/1994 Harde D6/501
D358,956 S * 6/1995 Mitjans D6/501
D376,060 S * 12/1996 Cohen D6/501

5,823,624 A * 10/1998 Dahlbacka 297/411.36
D415,639 S * 10/1999 Turner et al. D6/501
6,283,551 B1 * 9/2001 Bergin 297/411.35
D543,737 S * 6/2007 Held D6/500
D547,981 S * 8/2007 Cohen D6/501
2002/0017813 A1 * 2/2002 Greene 297/411.36
2007/0013220 A1 * 1/2007 Crossman et al. 297/411.3

* cited by examiner

Primary Examiner—Mimosa De

(74) *Attorney, Agent, or Firm*—Wenderoth, Lind & Ponack,
L.L.P.

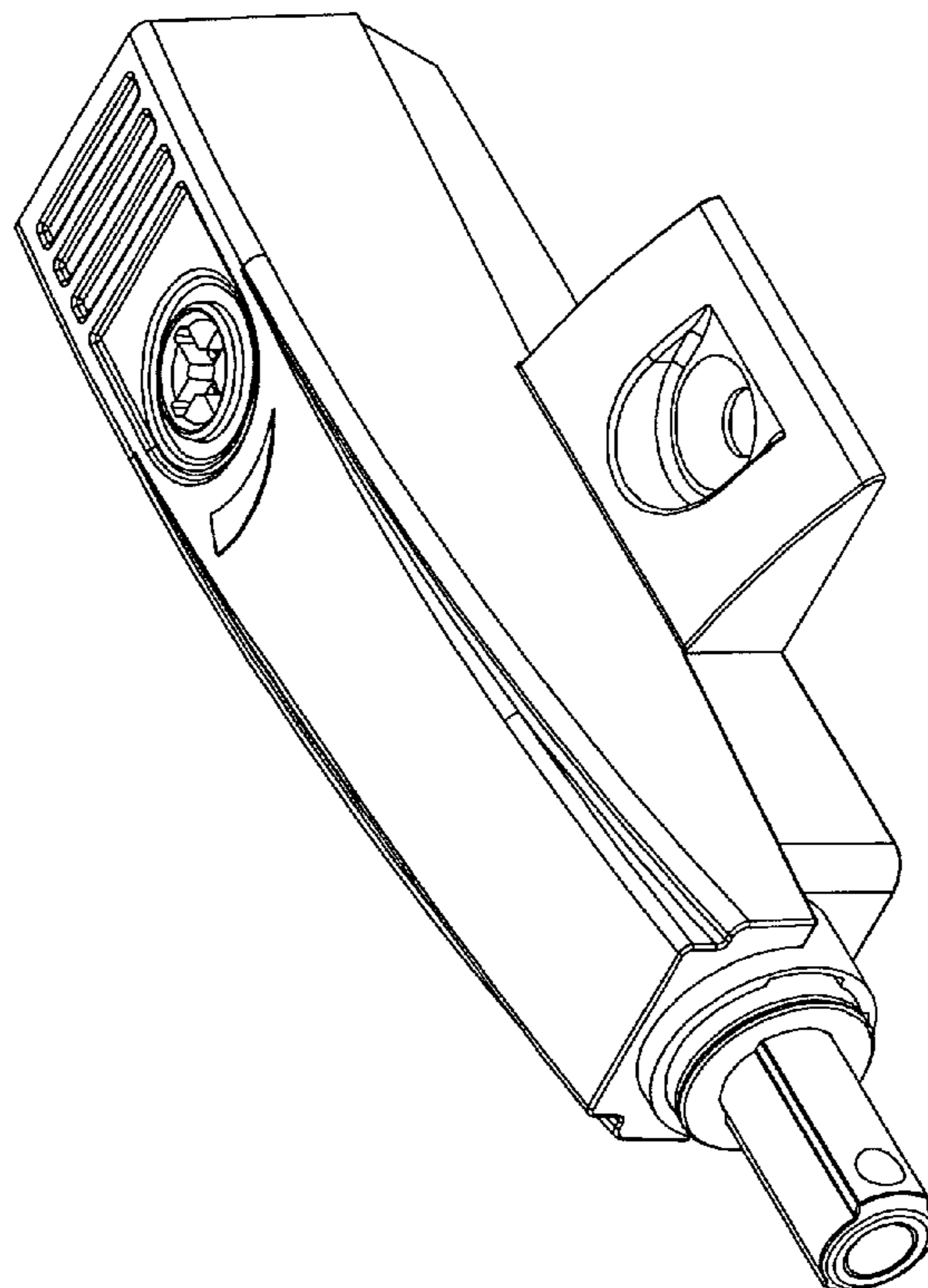
(57) **CLAIM**

The ornamental design for a fitting for furniture, as shown and described.

DESCRIPTION

FIG. 1 is a left side view of a fitting for furniture;
FIG. 2 is a top view of the fitting for furniture in FIG. 1;
FIG. 3 is a bottom view of the fitting for furniture in FIG. 1;
FIG. 4 is a front view of the fitting for furniture in FIG. 1;
FIG. 5 is a back view of the fitting for furniture in FIG. 1;
FIG. 6 is a right side view of the fitting for furniture in FIG. 1;
and,
FIG. 7 is a perspective view of the fitting for furniture of FIG. 1.

1 Claim, 7 Drawing Sheets



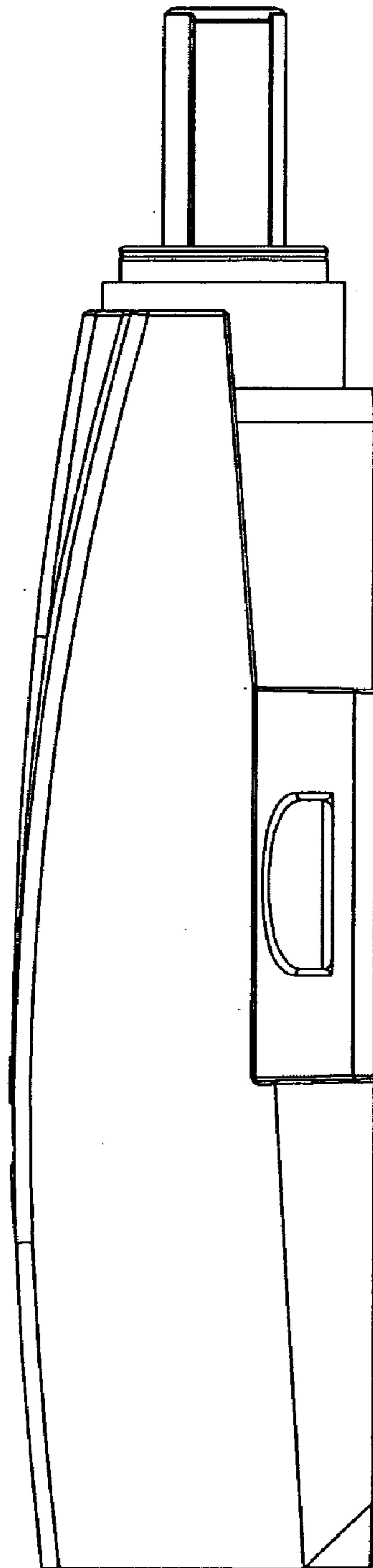


Fig. 1

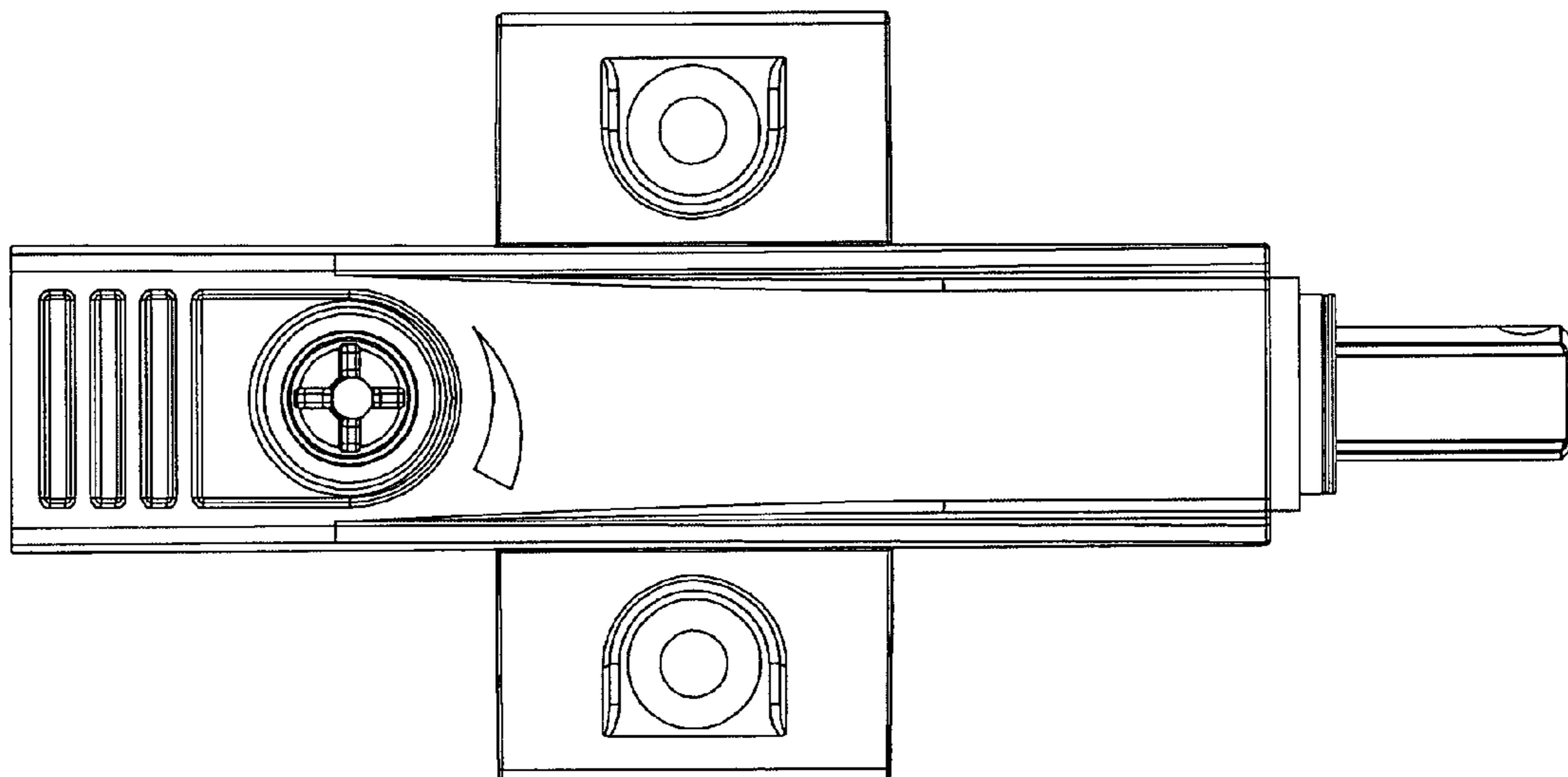


Fig. 2

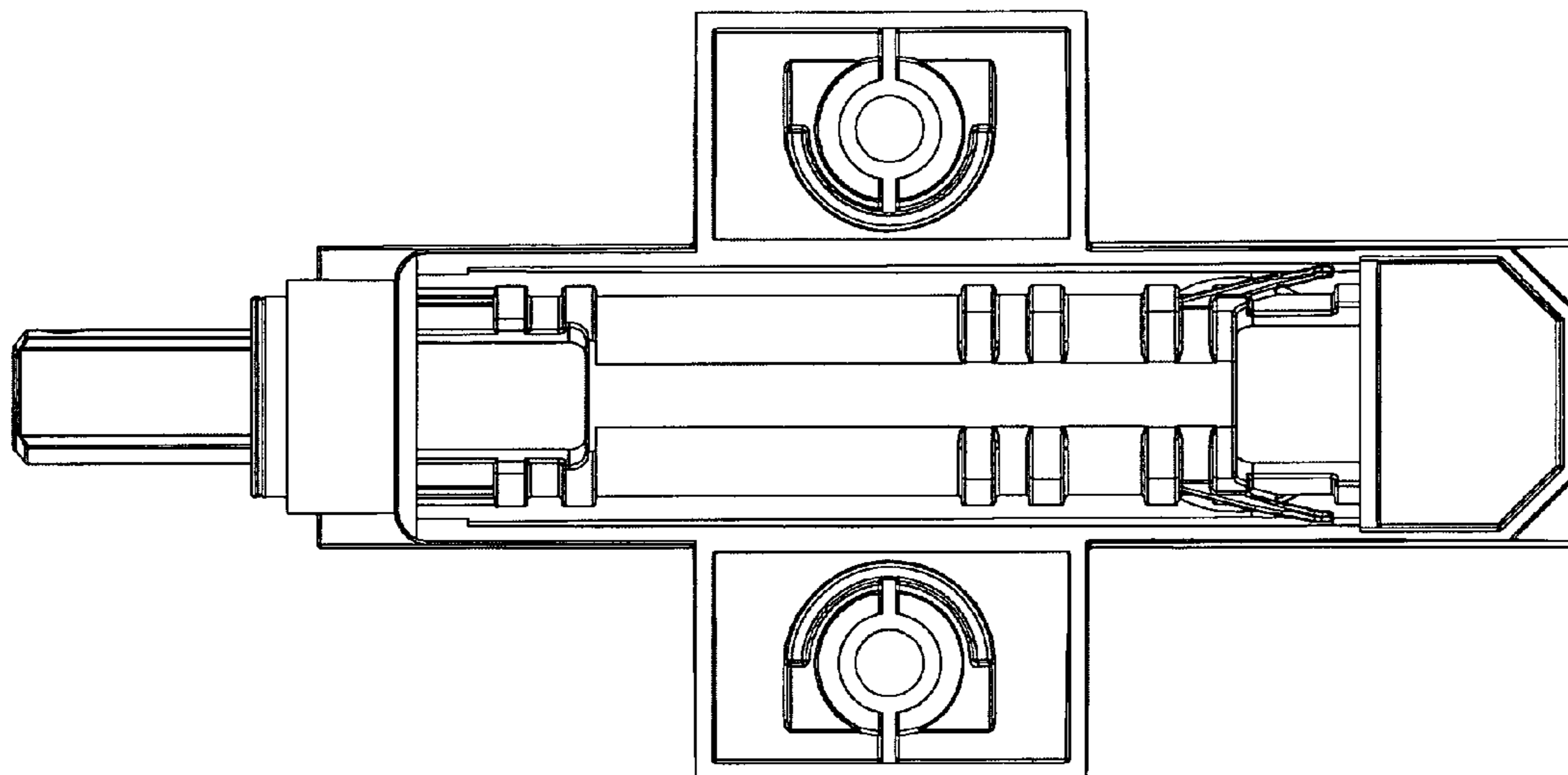


Fig. 3

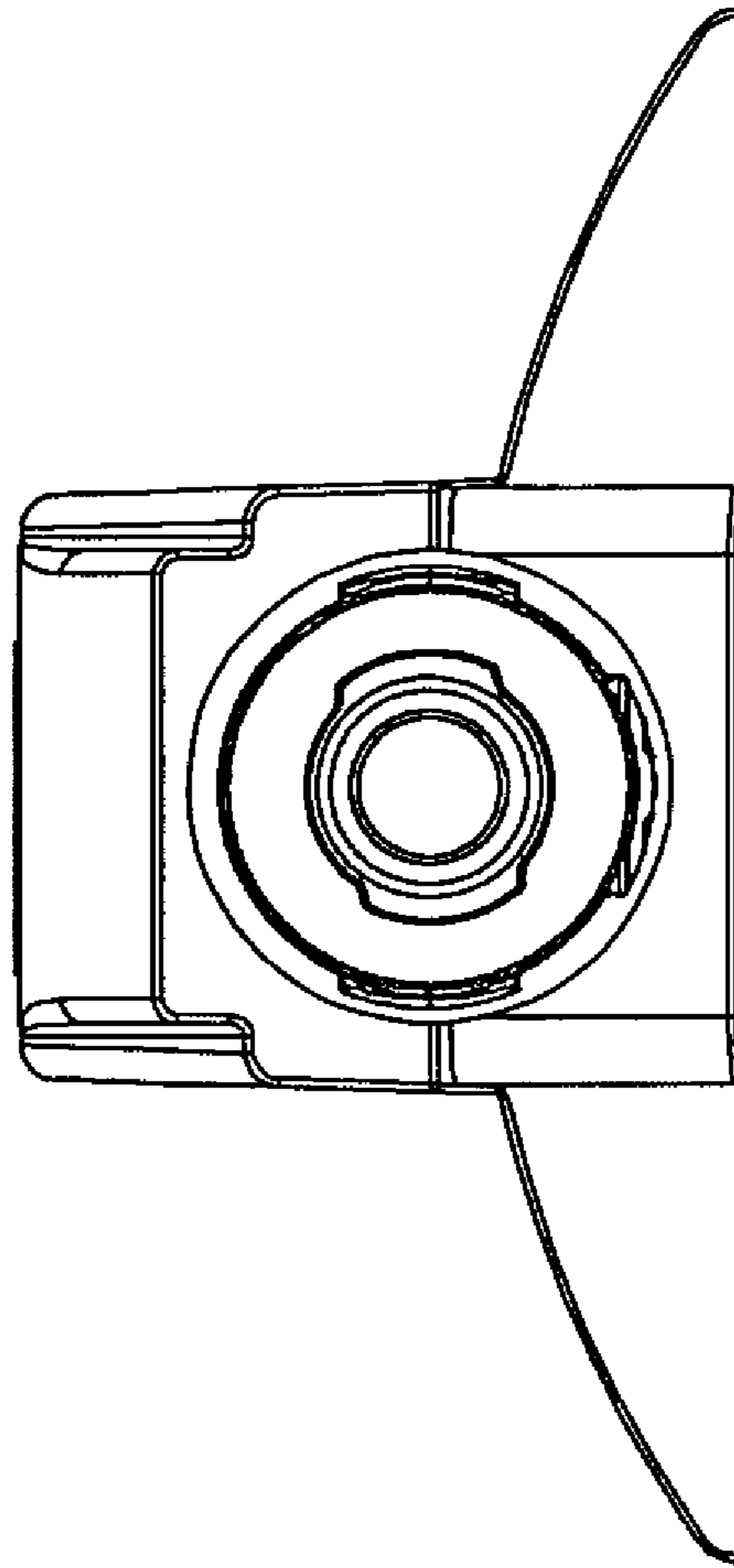


Fig. 4

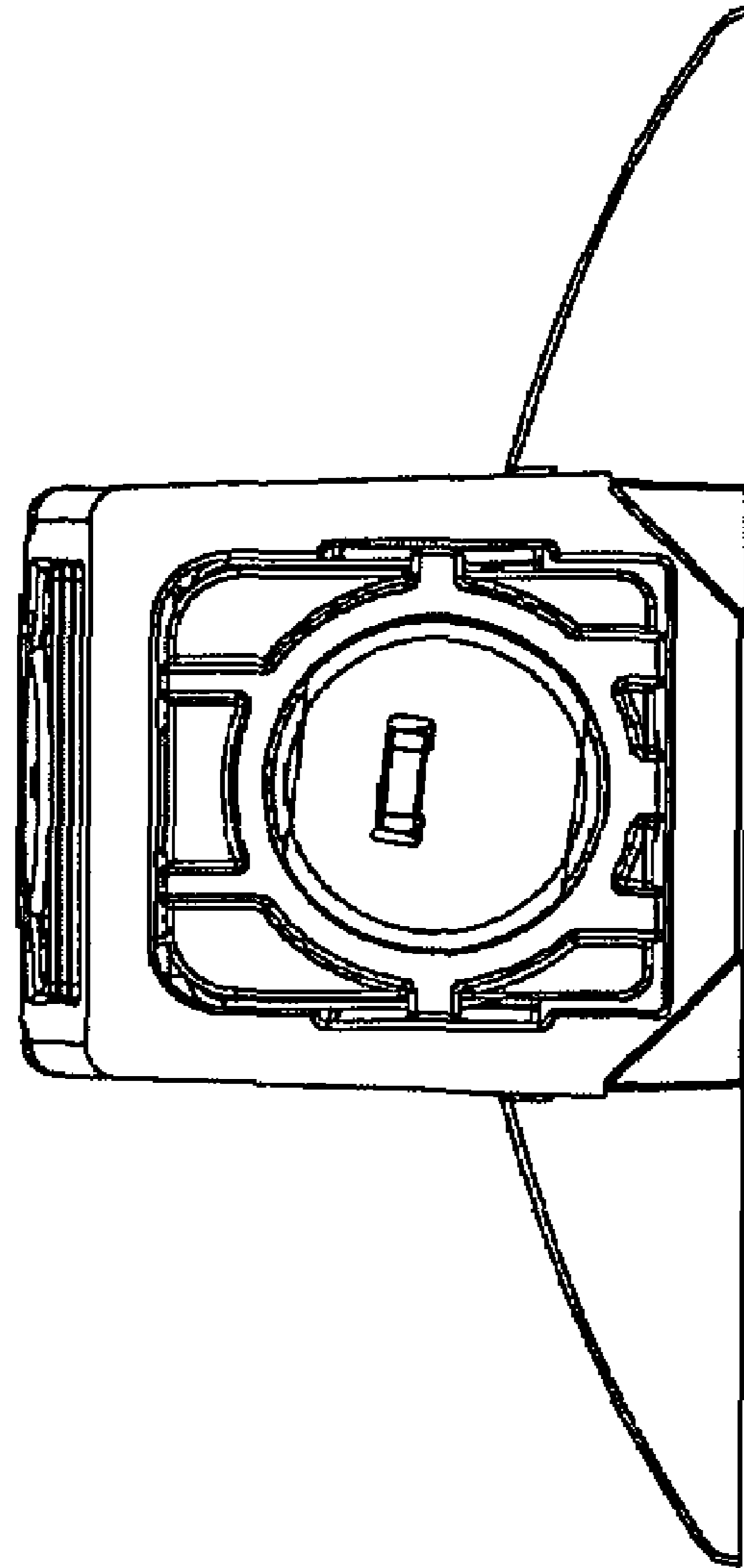


Fig. 5

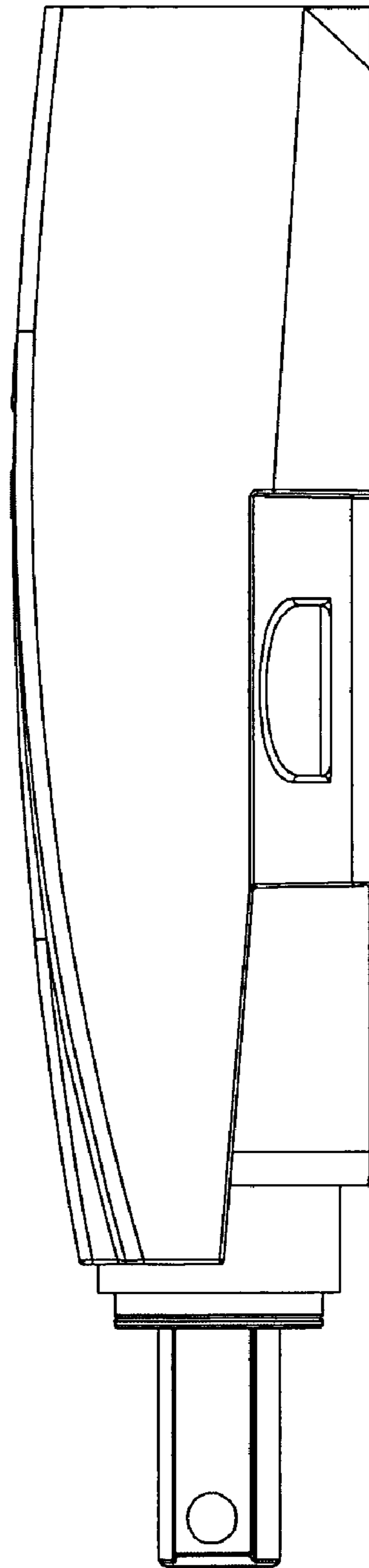


Fig. 6

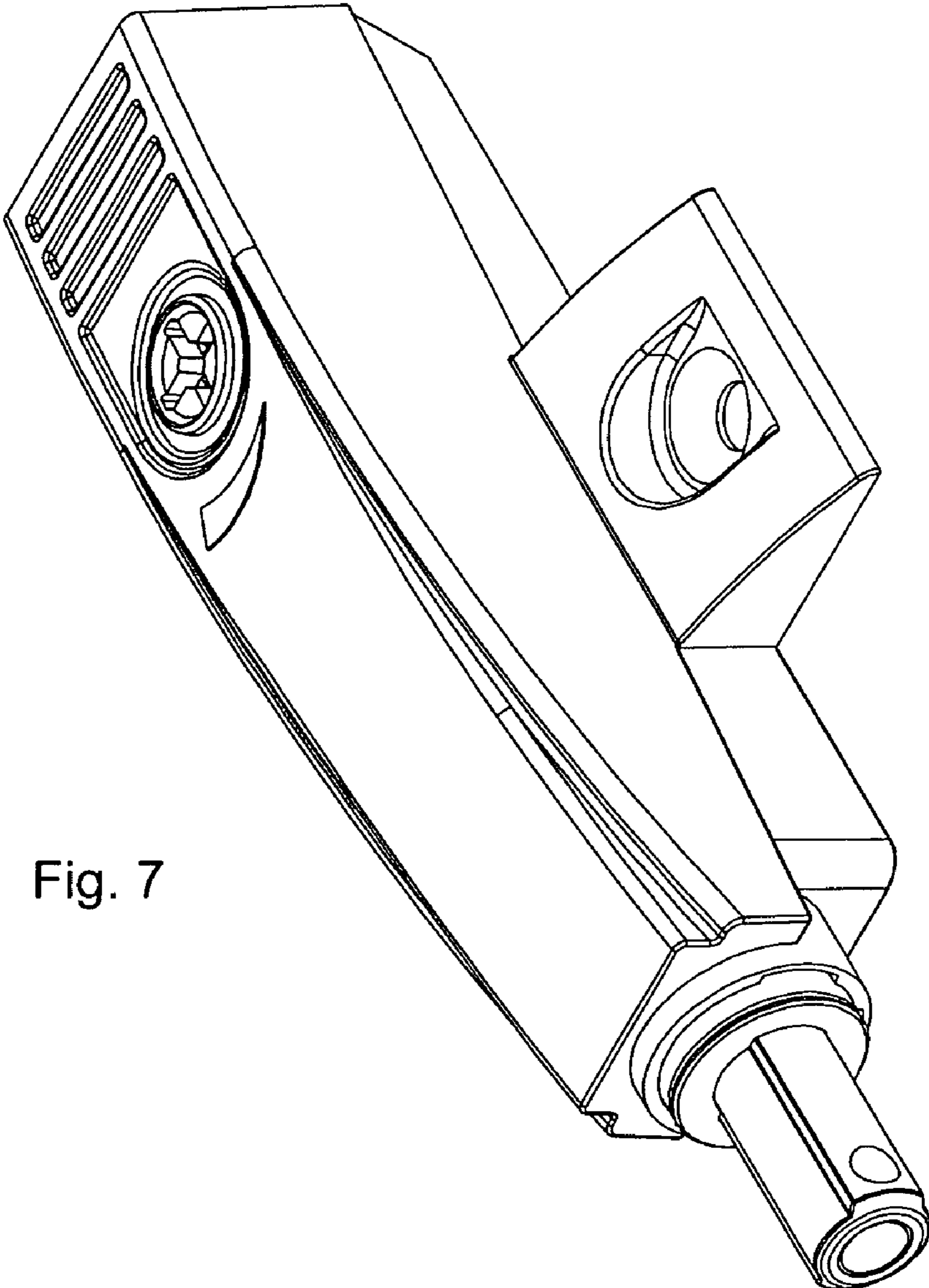


Fig. 7