



US00D576430S

(12) **United States Design Patent**
Hernandez

(10) **Patent No.:** **US D576,430 S**

(45) **Date of Patent:** **** *Sep. 9, 2008**

(54) **SEAT AND BACK REST FOR A CHAIR**

(75) Inventor: **Edgar D. Hernandez**, Orange, CA (US)

(73) Assignee: **True Seating Concepts, LLC** (MU)

(*) Notice: This patent is subject to a terminal disclaimer.

(**) Term: **14 Years**

(21) Appl. No.: **29/238,719**

(22) Filed: **Sep. 21, 2005**

(51) **LOC (8) Cl.** **06-01**

(52) **U.S. Cl.** **D6/500; D6/366**

(58) **Field of Classification Search** D6/334-335,
D6/356, 364, 365, 366, 367, 368, 374, 500-502;
297/452.21, 452.24, 452.26, 452.32, 452.33,
297/452.37, 452.48

See application file for complete search history.

(56) **References Cited**

U.S. PATENT DOCUMENTS

D369,487 S	*	5/1996	McDiarmid	D6/502
D451,715 S	*	12/2001	Tseng	D6/500
D451,720 S	*	12/2001	Tseng	D6/500
D451,723 S	*	12/2001	Grove	D6/500
D491,757 S	*	6/2004	Vong	D6/500
D492,143 S	*	6/2004	True	D6/366
D495,906 S	*	9/2004	True	D6/500

D505,814 S	6/2005	Egger	
D506,335 S	6/2005	Egger	
D508,808 S	8/2005	True	
D509,974 S	* 9/2005	Egger D6/366
D511,260 S	* 11/2005	True D6/500

* cited by examiner

Primary Examiner—Mimosa De

(74) *Attorney, Agent, or Firm*—Morland C. Fischer

(57) **CLAIM**

The ornamental design for a seat and back rest for a chair, as shown and described.

DESCRIPTION

FIG. 1 is a perspective view showing the top, left side and front of a seat and back rest for a chair which form my new design, the broken lines in this and other figures showing other parts of the chair being for illustrative purposes only and forming no part of my design;

FIG. 2 is a perspective view showing the top, left side and rear thereof;

FIG. 3 is a front elevational view thereof;

FIG. 4 is a right side elevational view thereof;

FIG. 5 is a rear elevational view thereof;

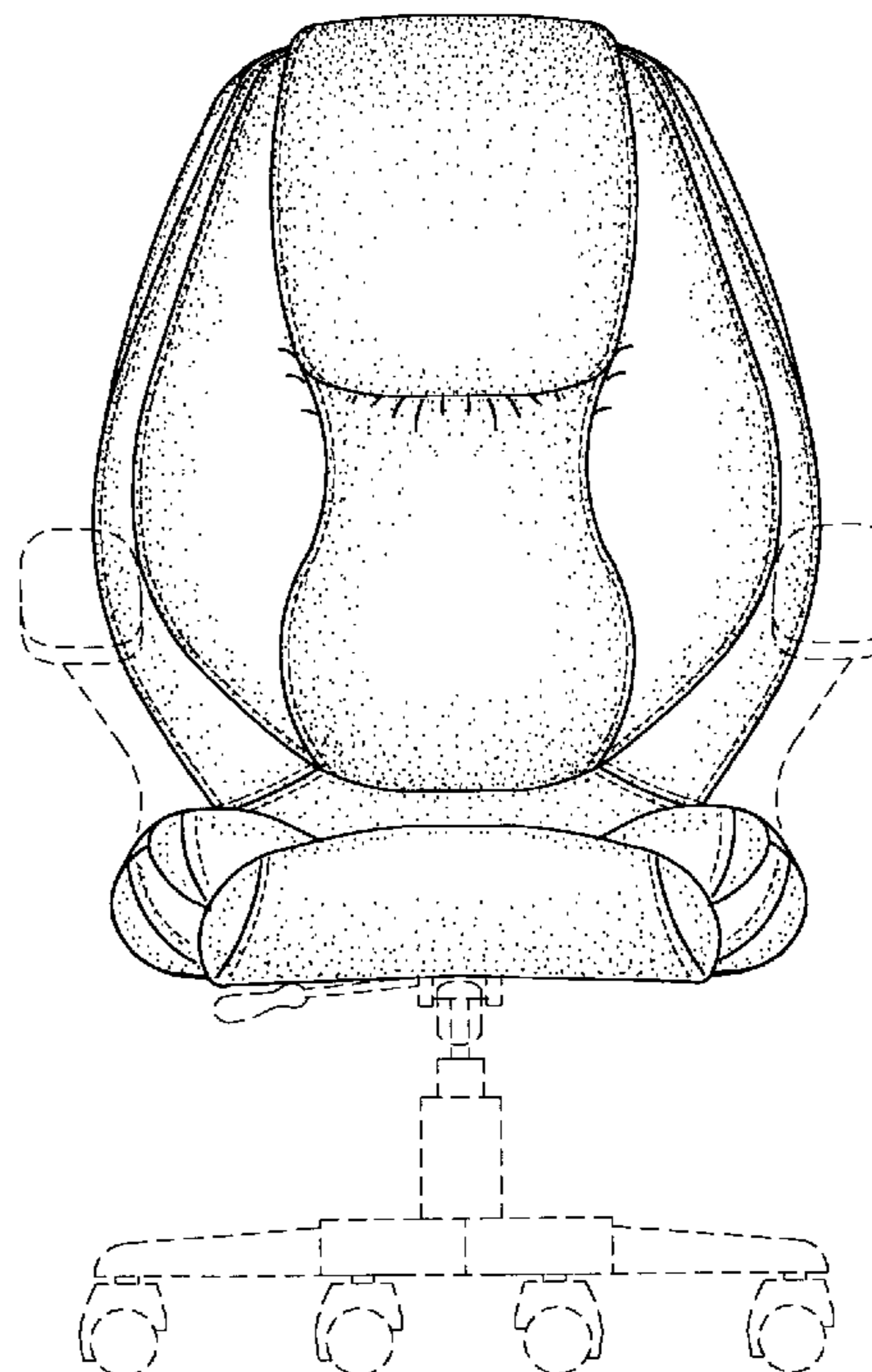
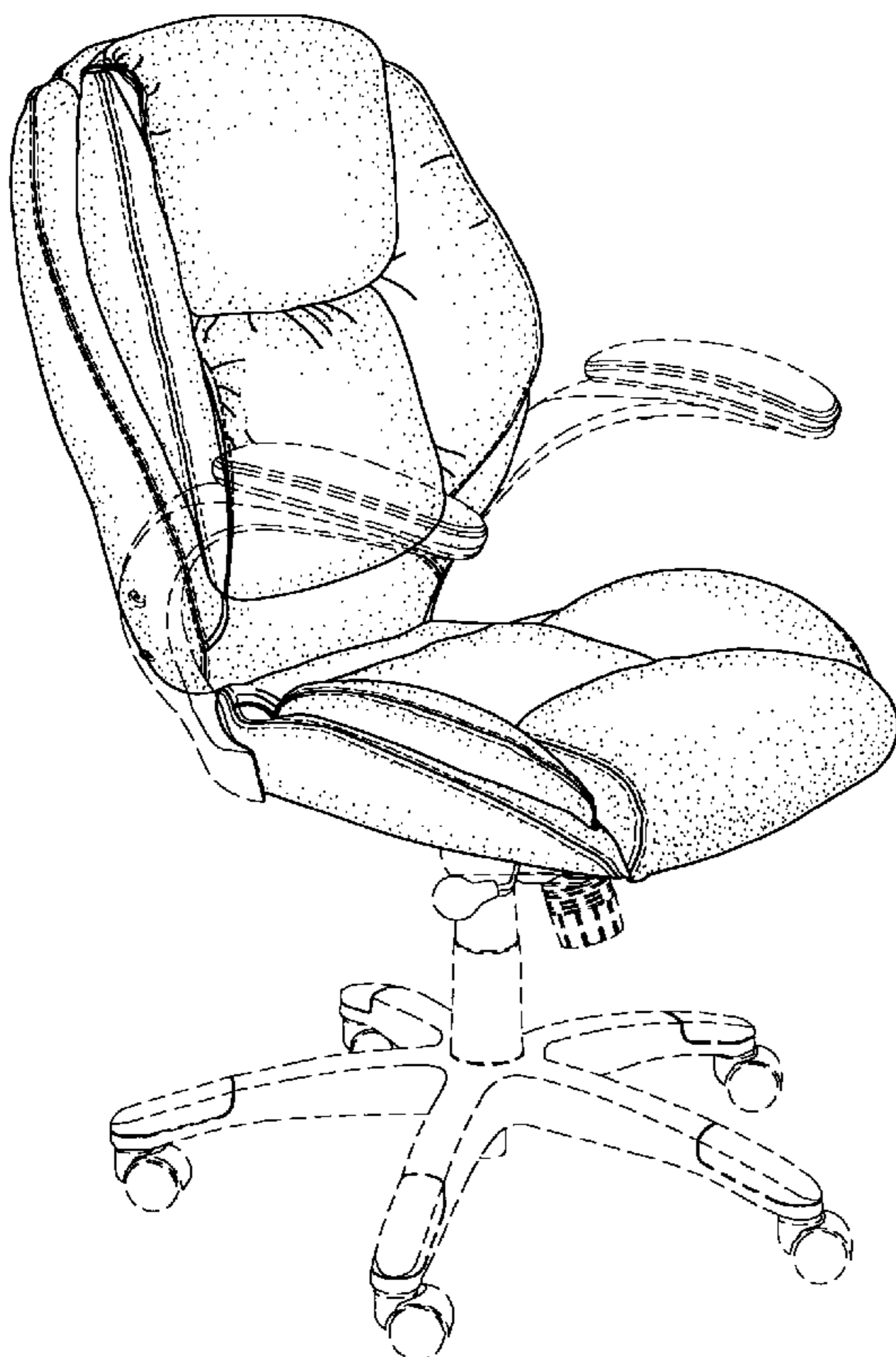
FIG. 6 is a left side elevational view thereof;

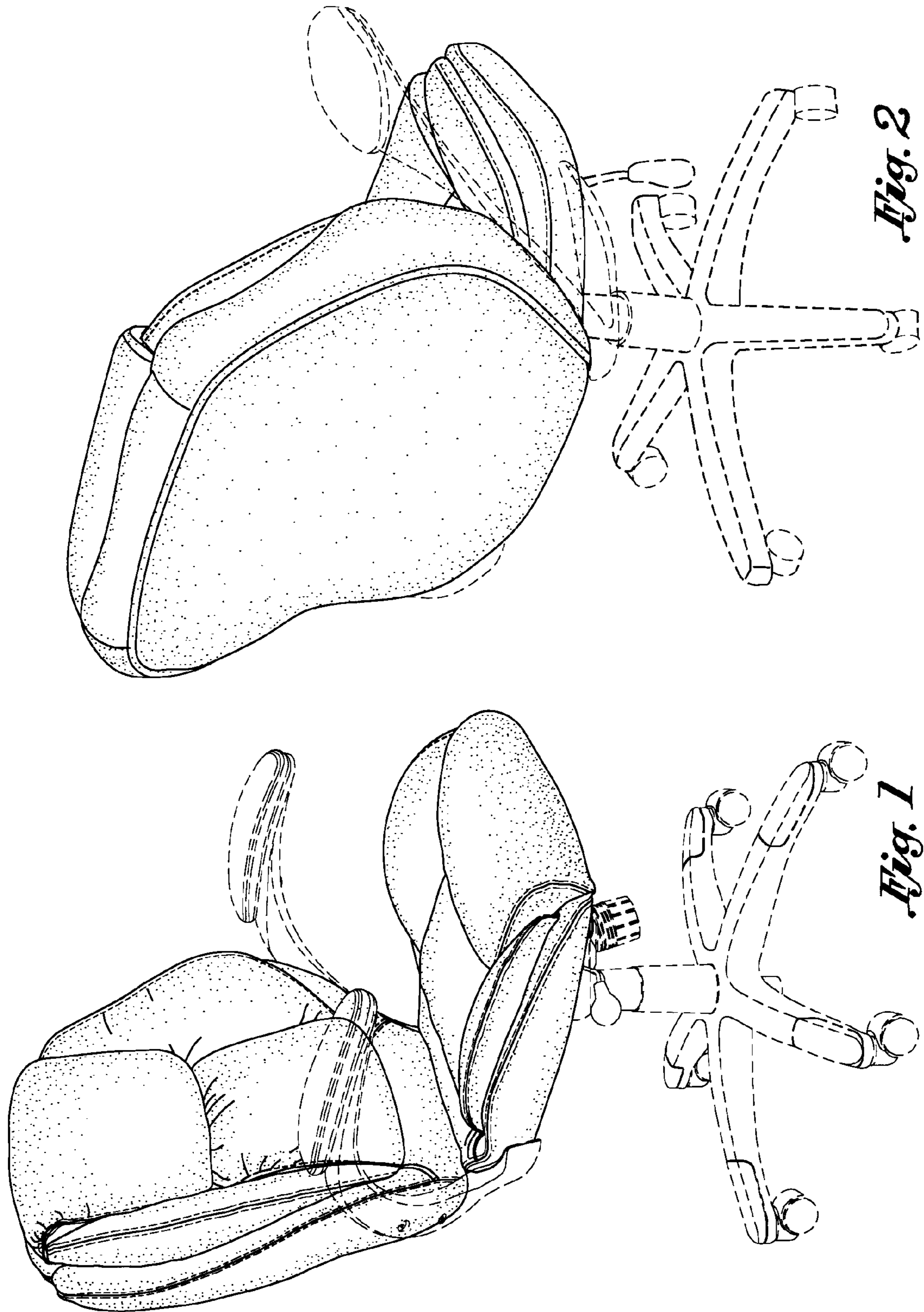
FIG. 7 is a top plan view; and,

FIG. 8 is a bottom plan view thereof.

The short broken lines shown on the seat and back rest in FIGS. 1 through 8 are understood to represent stitching.

1 Claim, 4 Drawing Sheets





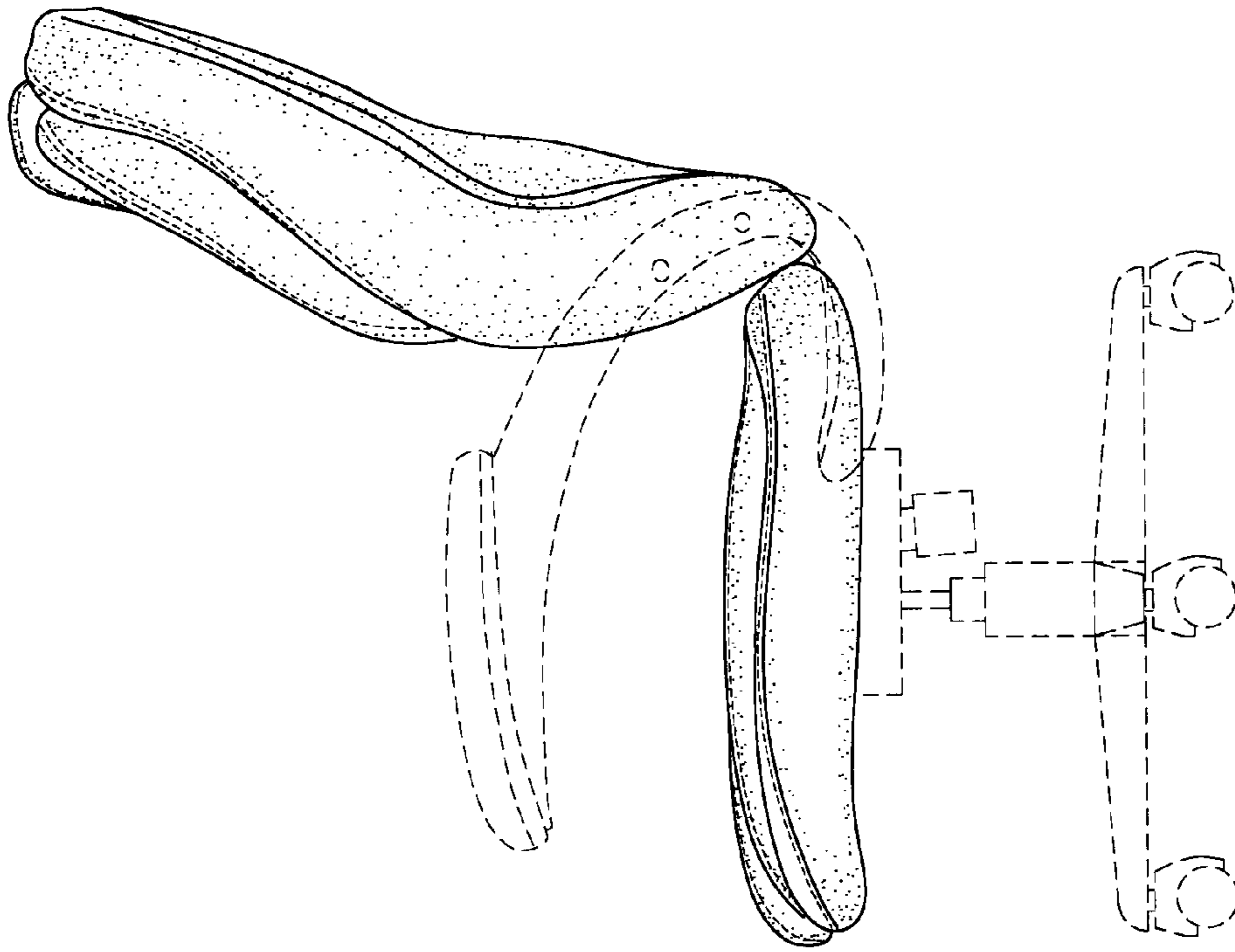


Fig. 4

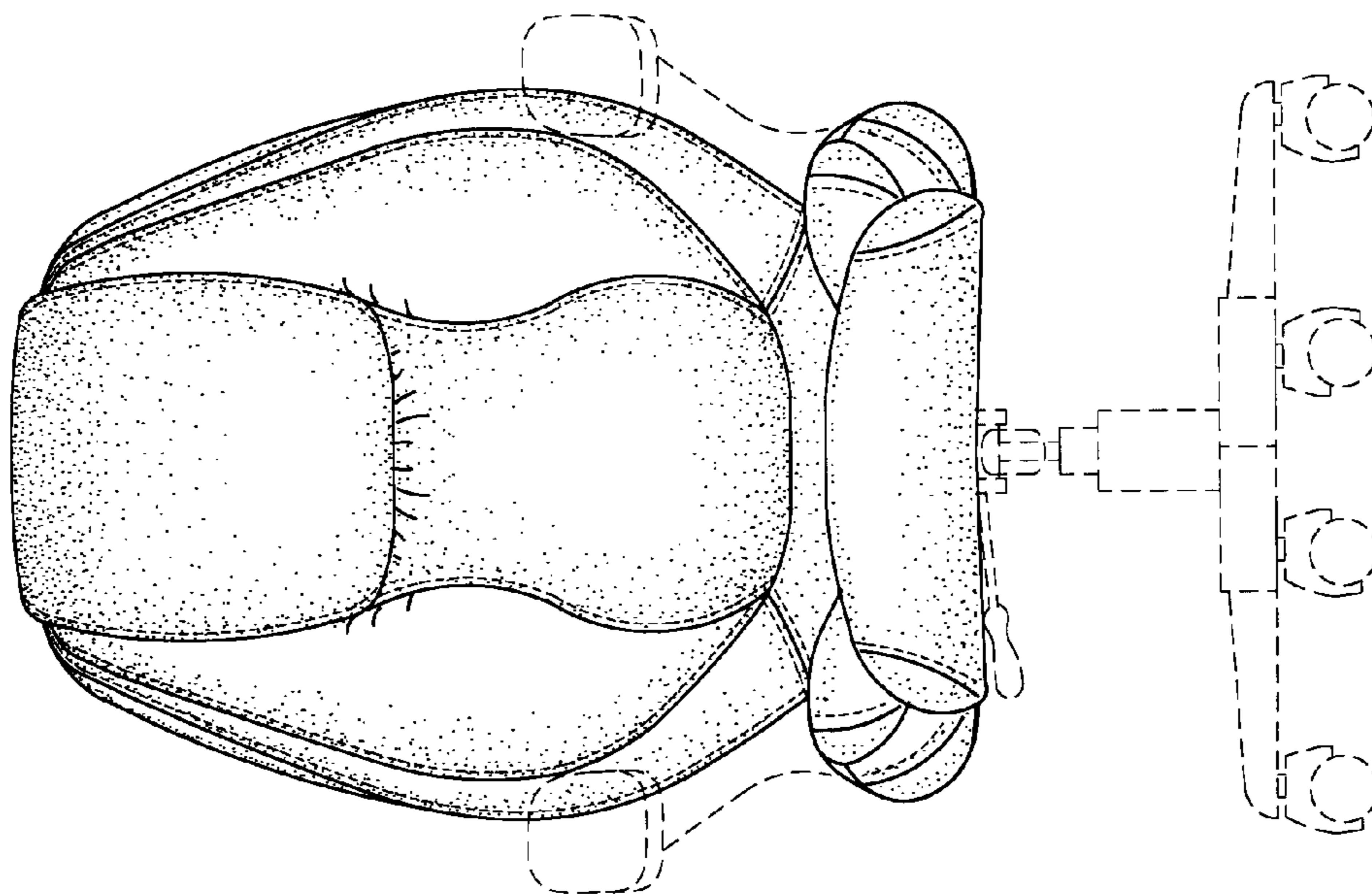


Fig. 3

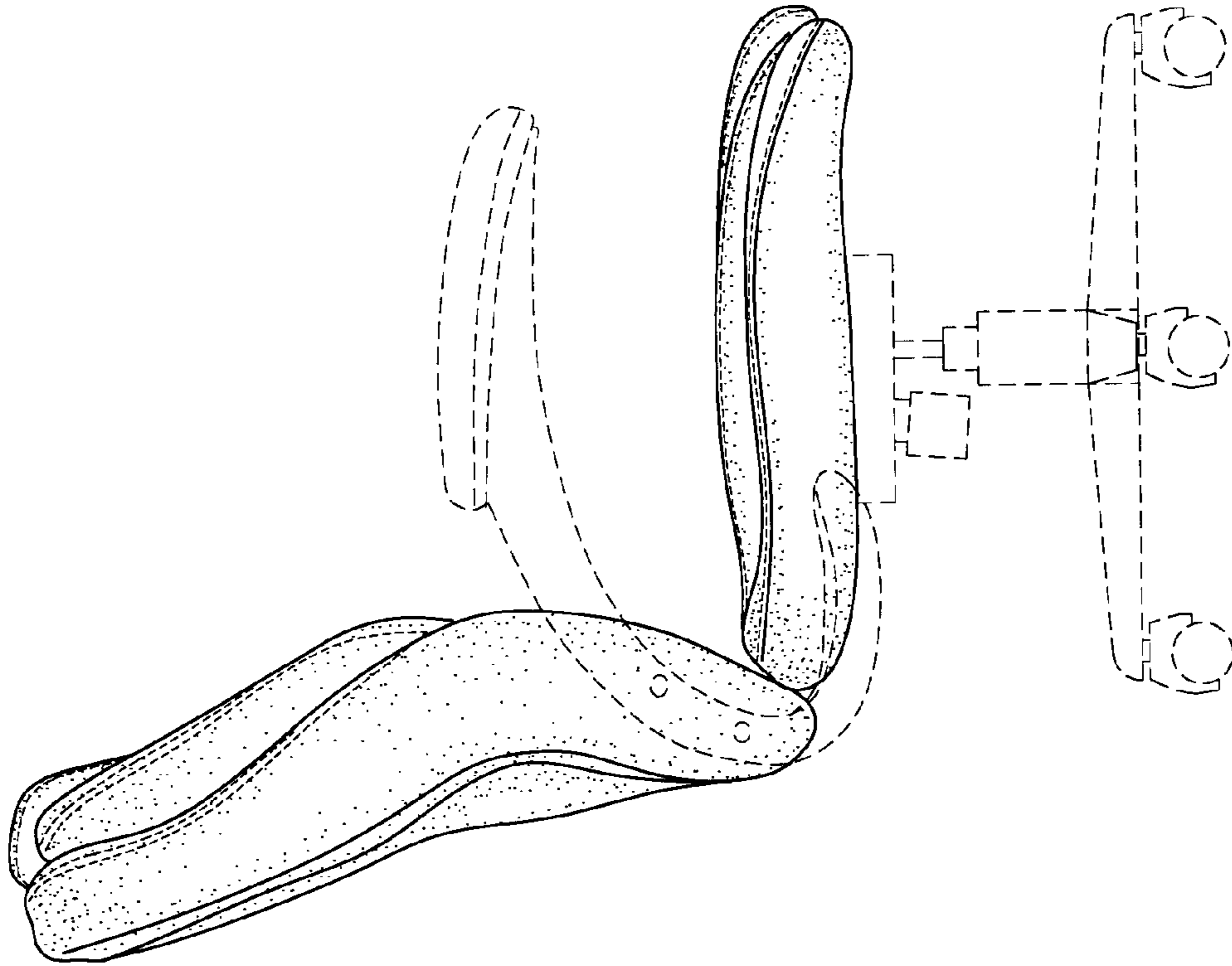


Fig. 5

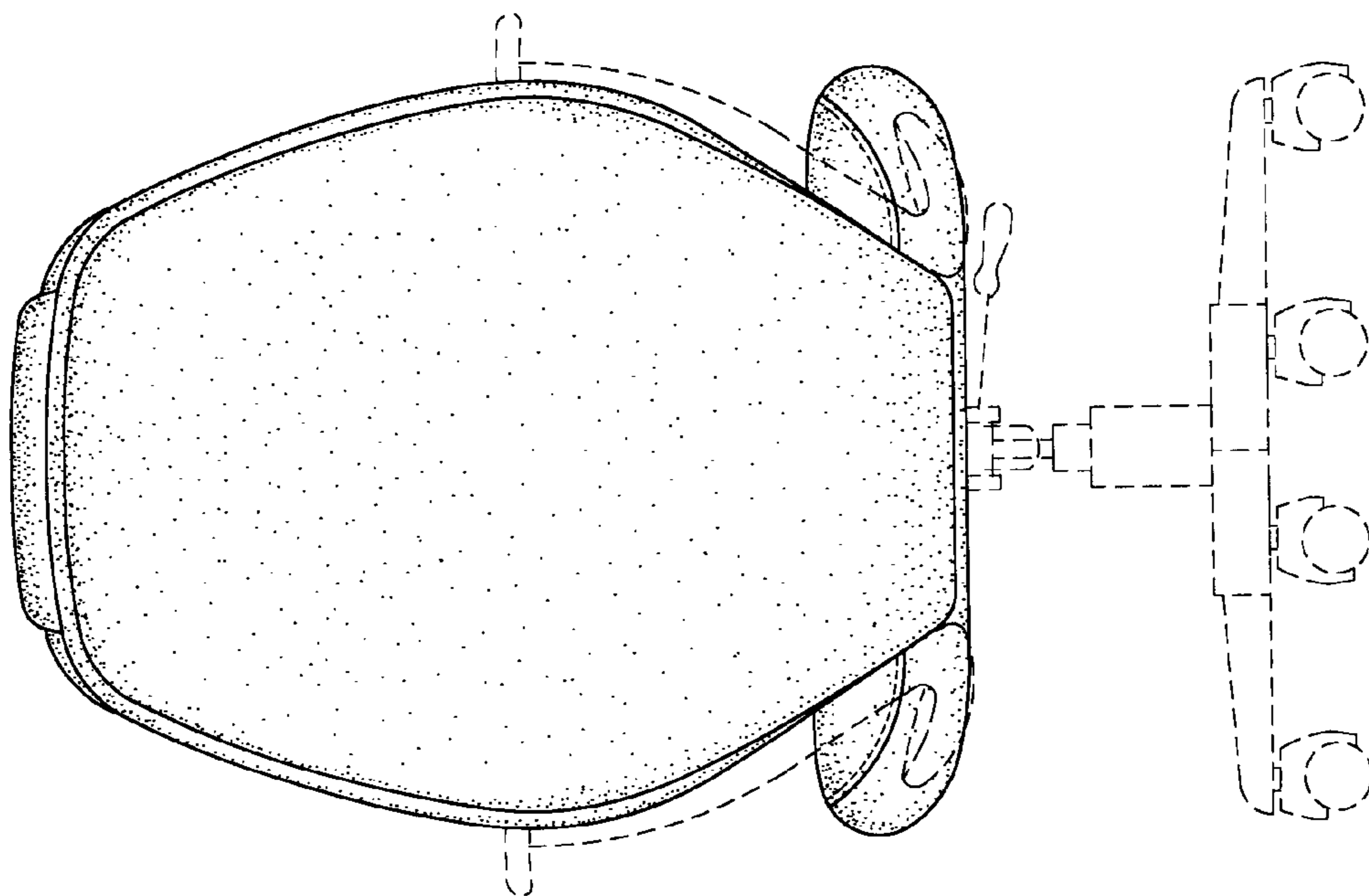


Fig. 6

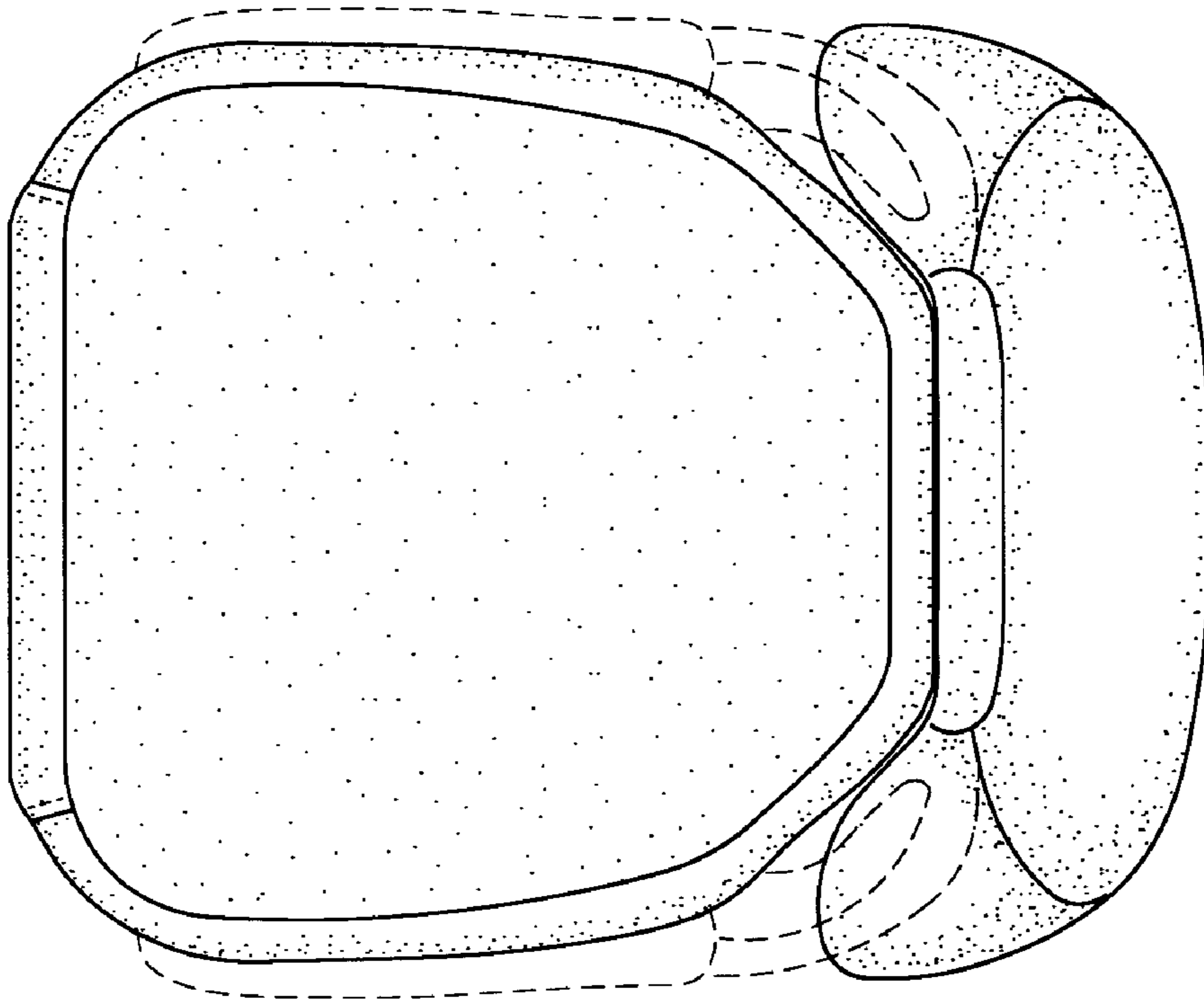


Fig. 8

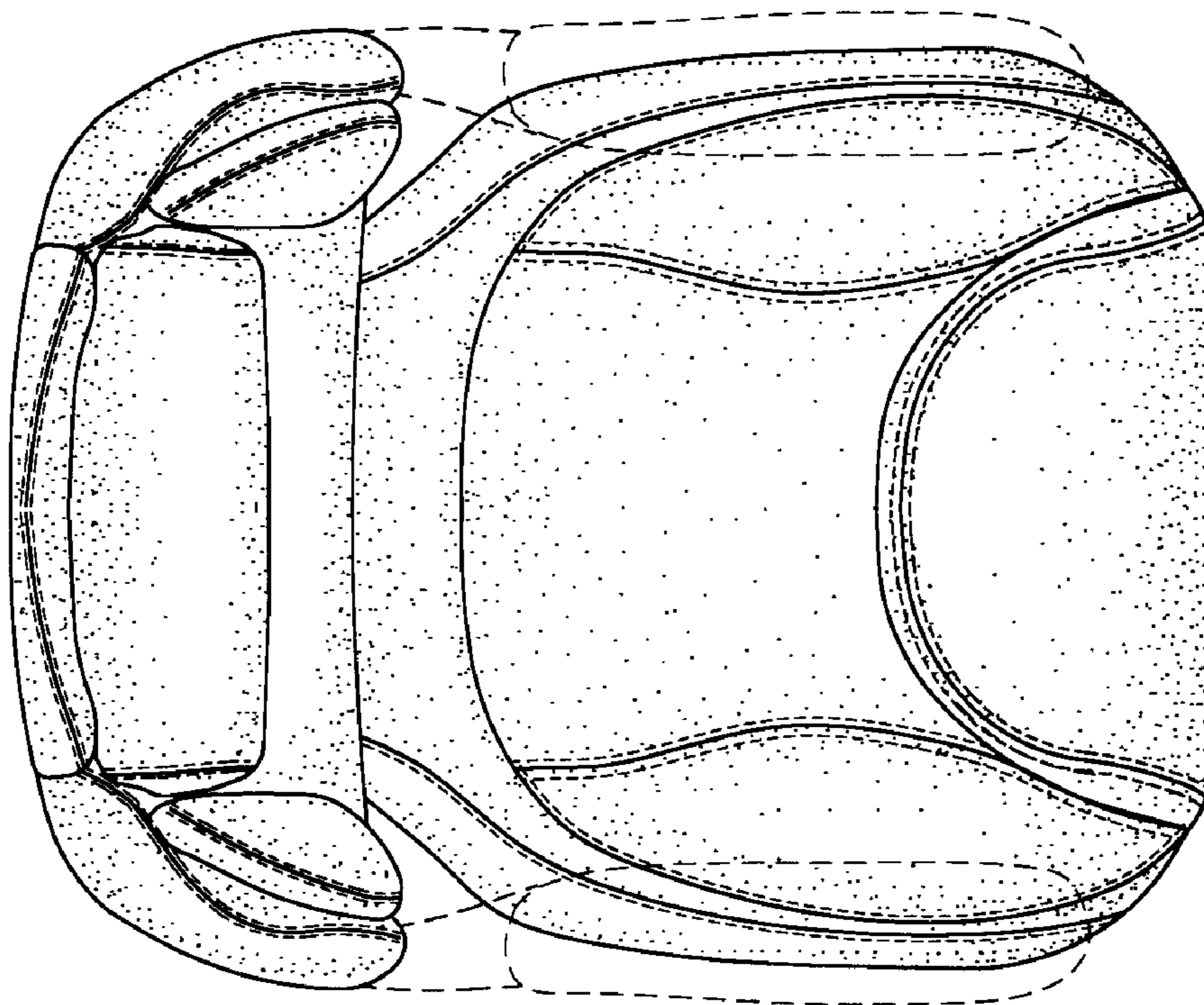


Fig. 7