



US00D576429S

(12) **United States Design Patent**
Lye

(10) **Patent No.:** **US D576,429 S**

(45) **Date of Patent:** **** Sep. 9, 2008**

(54) **LAPTOP DESK**

D392,128 S * 3/1998 Infanti D6/495
D416,707 S * 11/1999 Plainfield D6/419
D466,721 S * 12/2002 Coonan et al. D6/429

(76) **Inventor:** **Kok Hong Lye**, 262 7th St., San Francisco, CA (US) 94103

(**) **Term:** **14 Years**

* cited by examiner

(21) **Appl. No.:** **29/294,558**

Primary Examiner—Janice E Seeger

(22) **Filed:** **Jan. 17, 2008**

(57) **CLAIM**

(51) **LOC (8) Cl.** **06-03**

The ornamental design for a laptop desk, as shown and described.

(52) **U.S. Cl.** **D6/480; D6/419; D6/420**

(58) **Field of Classification Search** D6/480-489,
D6/495-499, 429-431, 511, 419, 420, 422,
D6/425, 426; 108/150, 153.1, 156, 157.1,
108/161; 248/188, 188.1, 188.8; 312/223.3,
312/239, 208.1

DESCRIPTION

See application file for complete search history.

FIG. 1 is a top plan view of a laptop desk showing my new design;

FIG. 2 is a front perspective view thereof;

FIG. 3 is a front elevational view thereof; and,

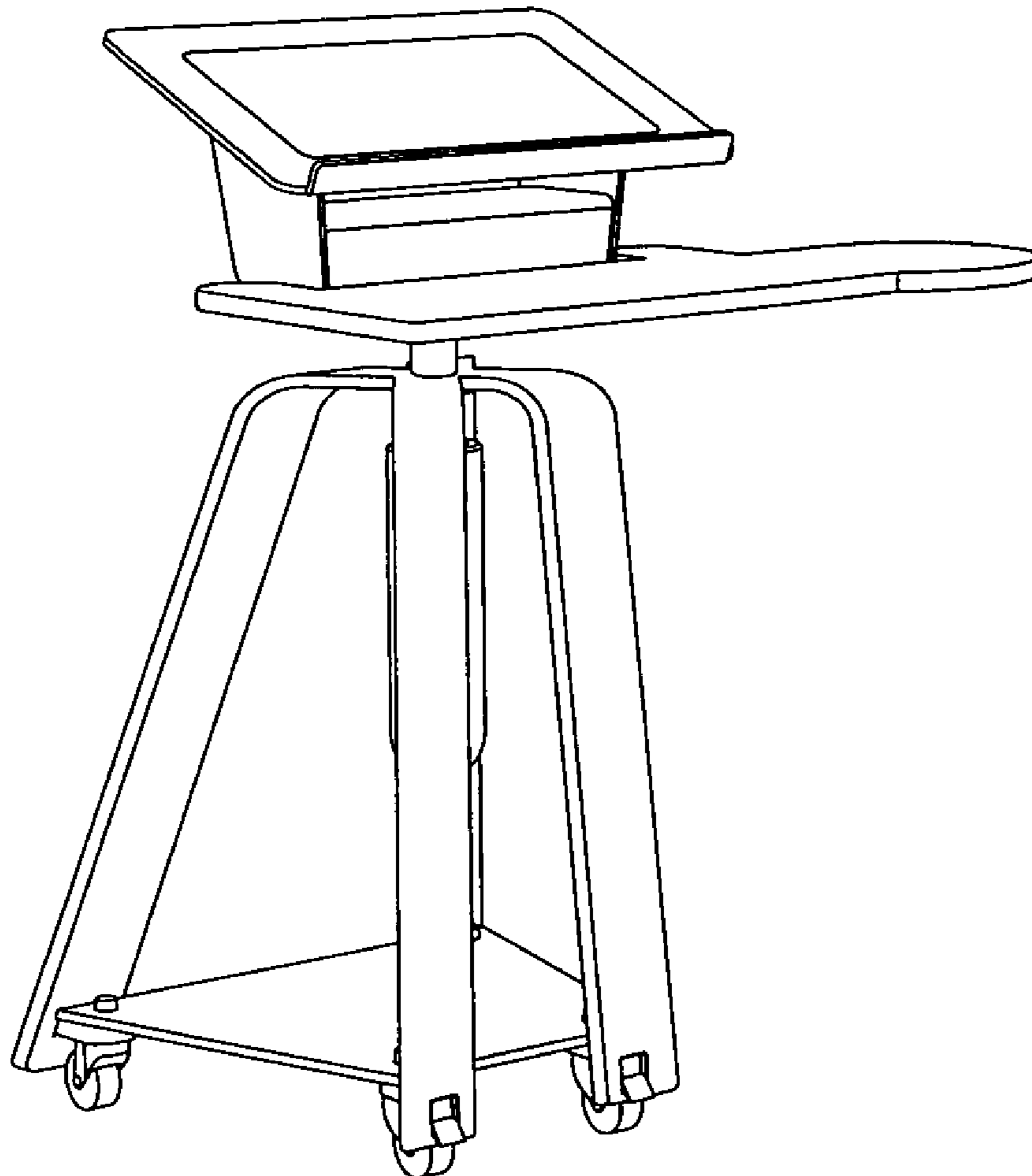
FIG. 4 is a right side elevational view thereof.

(56) **References Cited**

U.S. PATENT DOCUMENTS

D318,967 S * 8/1991 Murry D6/495

1 Claim, 1 Drawing Sheet



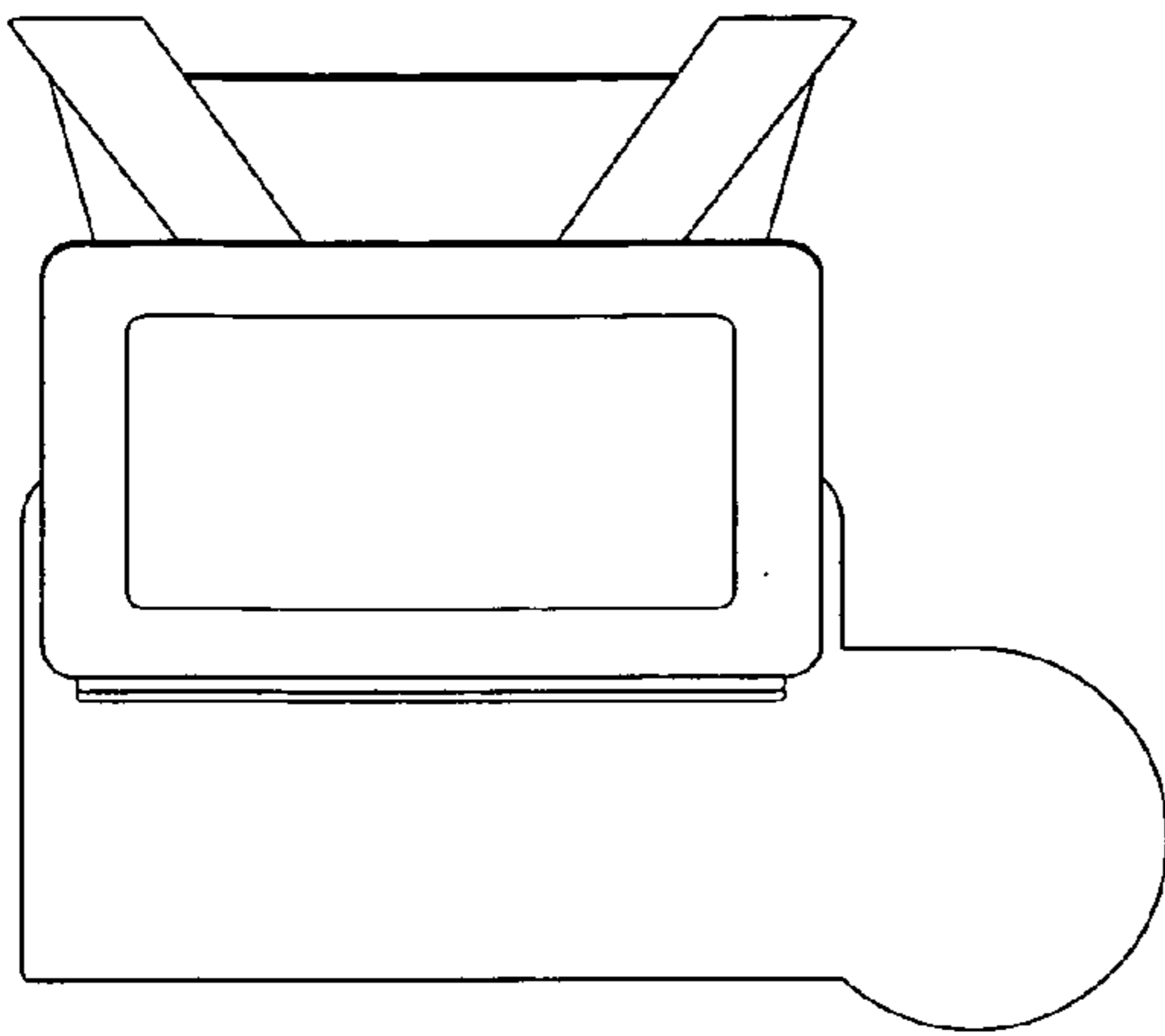


Fig. 1

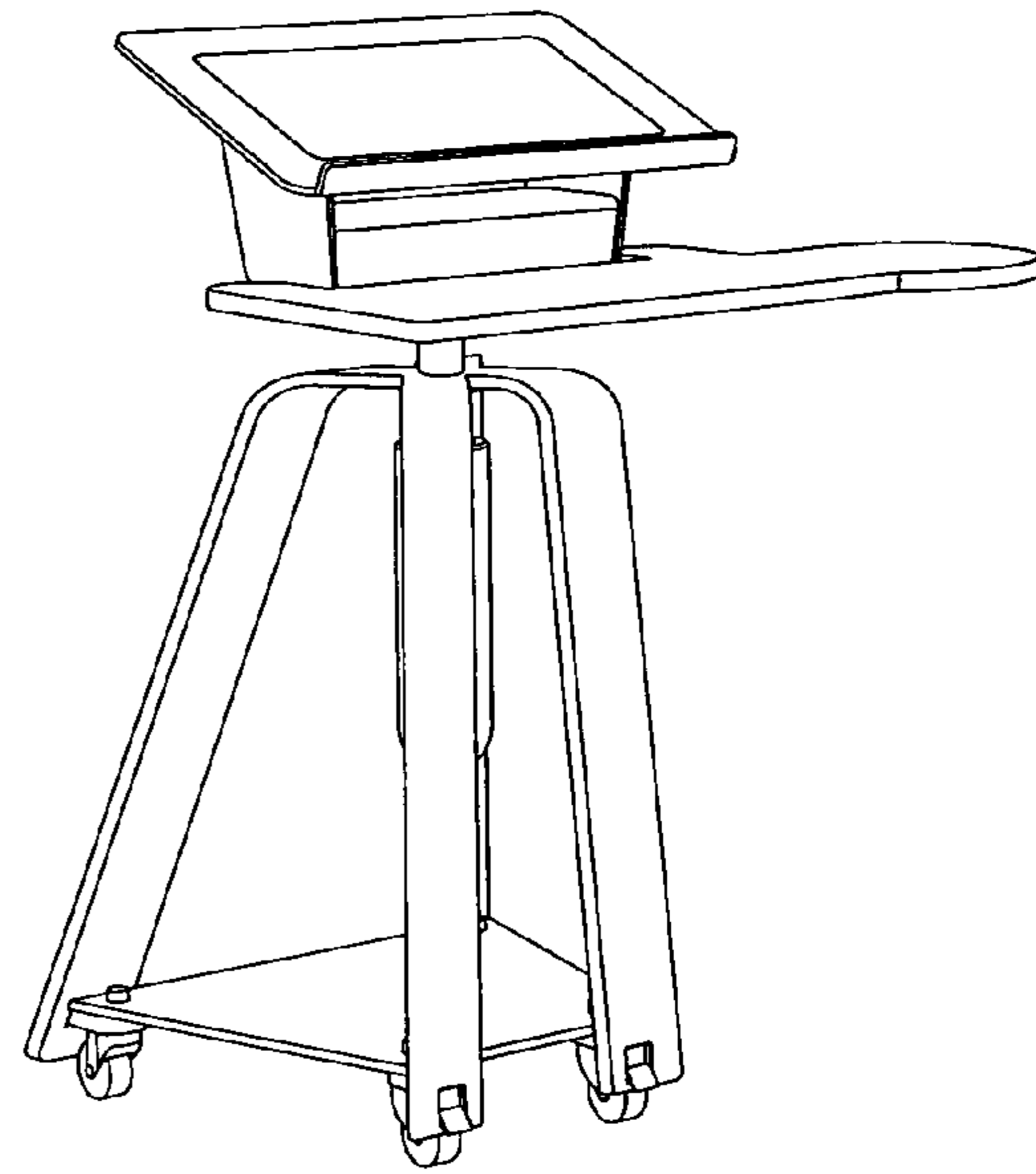


Fig. 2

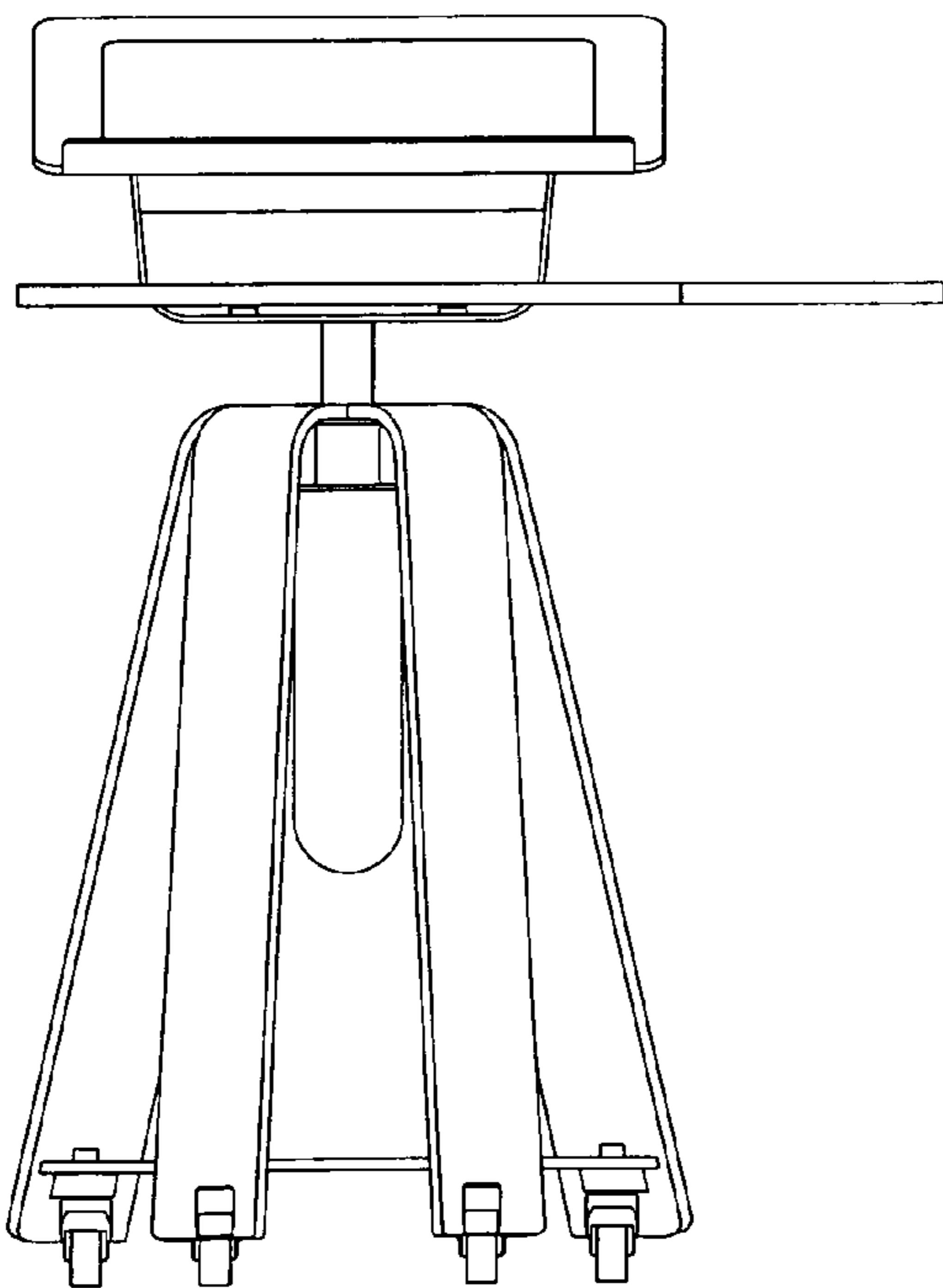


Fig. 3

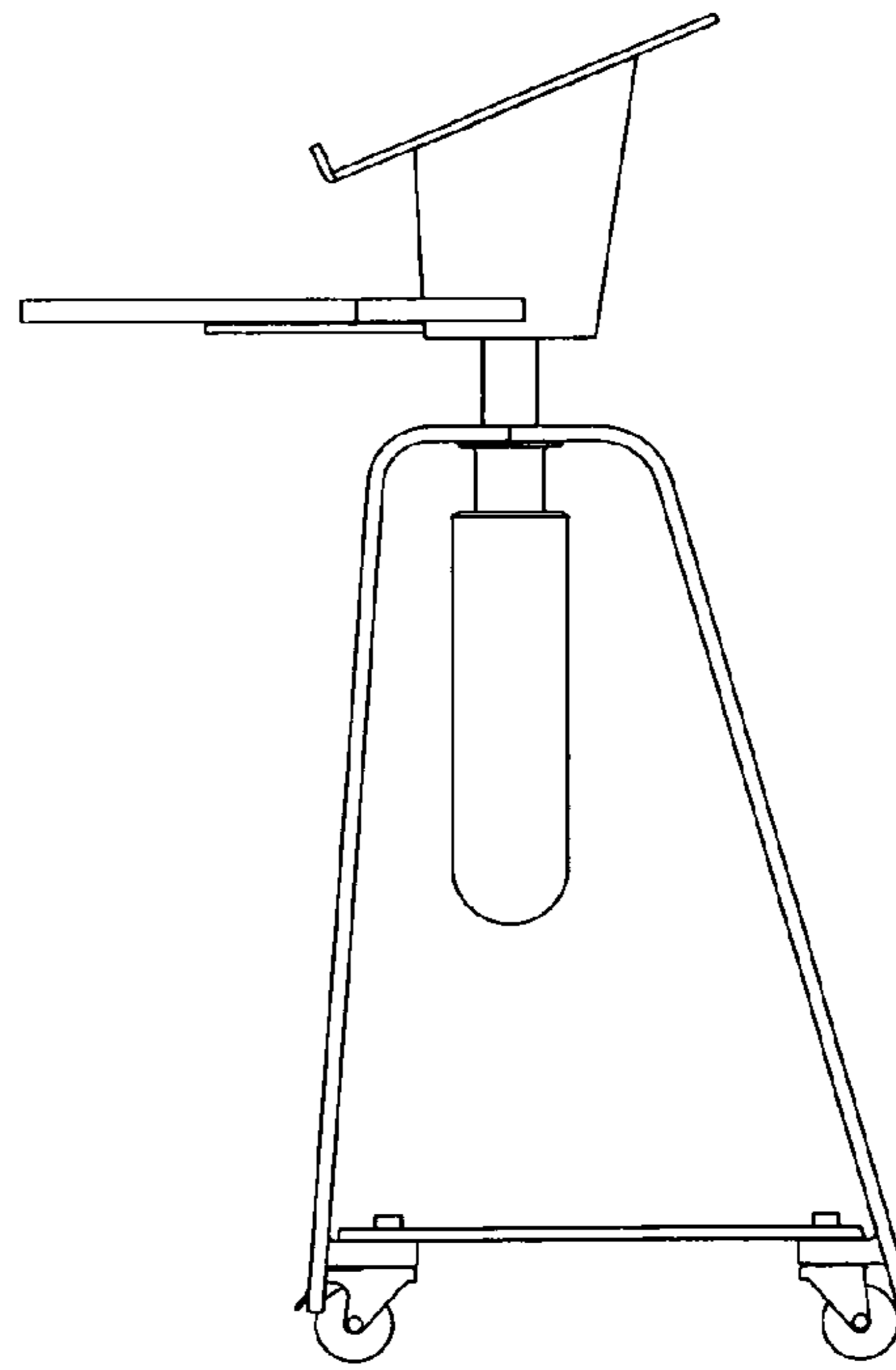


Fig. 4