



US00D576428S

(12) **United States Design Patent**
Swanson

(10) **Patent No.:** **US D576,428 S**

(45) **Date of Patent:** **** Sep. 9, 2008**

(54) **COMPUTER STAND**

(76) **Inventor:** **Shane Anton Swanson**, 1801 Koehnen Cir. W., Excelsior, MN (US) 55331

(**) **Term:** **14 Years**

(21) **Appl. No.:** **29/301,371**

(22) **Filed:** **Feb. 26, 2008**

(51) **LOC (8) Cl.** **06-04**

(52) **U.S. Cl.** **D6/479**

(58) **Field of Classification Search** D6/477-479,
D6/474, 455, 480, 484, 487, 488; 108/91-92,
108/150, 153.1, 156, 157.1; 248/188, 188.1
See application file for complete search history.

(56) **References Cited**

U.S. PATENT DOCUMENTS

D147,114 S *	7/1947	Cutrow	D6/477
3,053,558 A *	9/1962	Challas, Jr. et al.	108/53.5
D290,561 S *	6/1987	Becker	D6/455
D294,318 S *	2/1988	Zapf	D6/484
5,881,653 A *	3/1999	Pfister	108/147.13
D449,184 S *	10/2001	Cain	D6/477

D449,185 S *	10/2001	Solloway	D6/480
D491,750 S *	6/2004	Bertoncini	D6/474
D502,617 S *	3/2005	Chang	D6/480

* cited by examiner

Primary Examiner—Elizabeth A. Albert
Assistant Examiner—Kelley A Donnelly

(57) **CLAIM**

The ornamental design for a computer stand, as shown and described.

DESCRIPTION

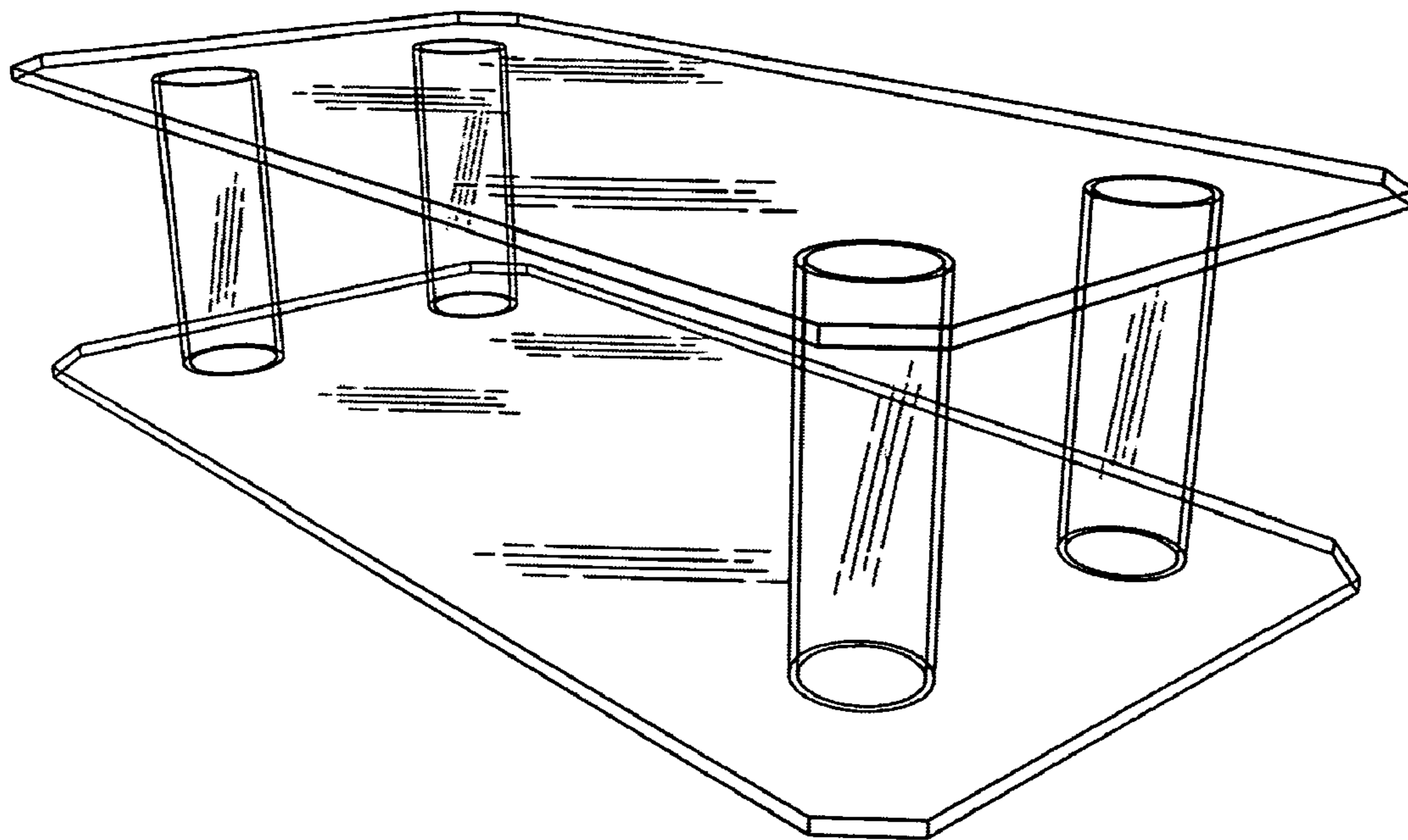
FIG. 1 is a perspective view of the computer stand showing my new design;

FIG. 2 is a side view thereof, the other side being a mirror image thereof;

FIG. 3 is a front view thereof, the rear being a mirror image thereof; and,

FIG. 4 is a top view thereof, the bottom being a mirror image thereof.

1 Claim, 2 Drawing Sheets



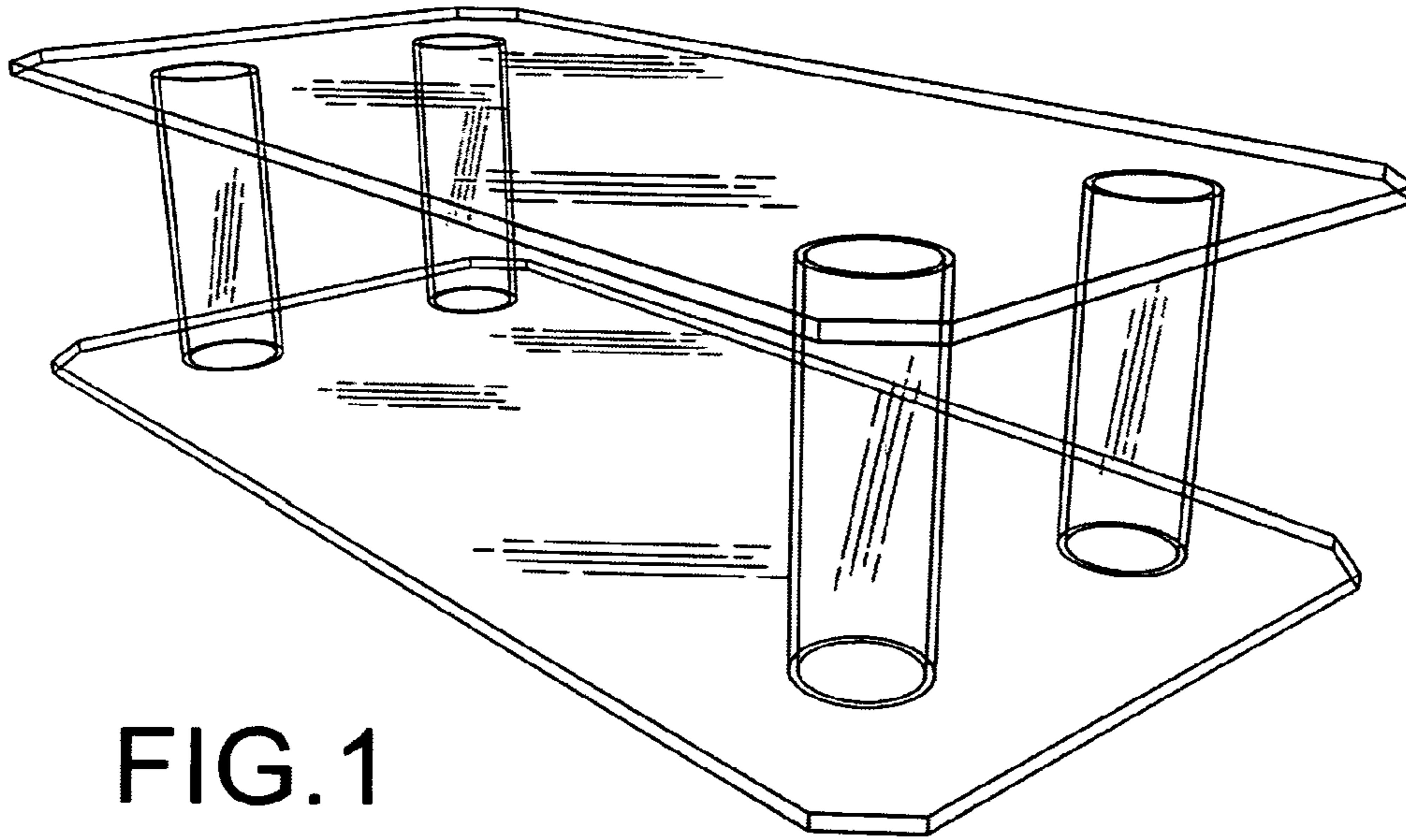


FIG. 1

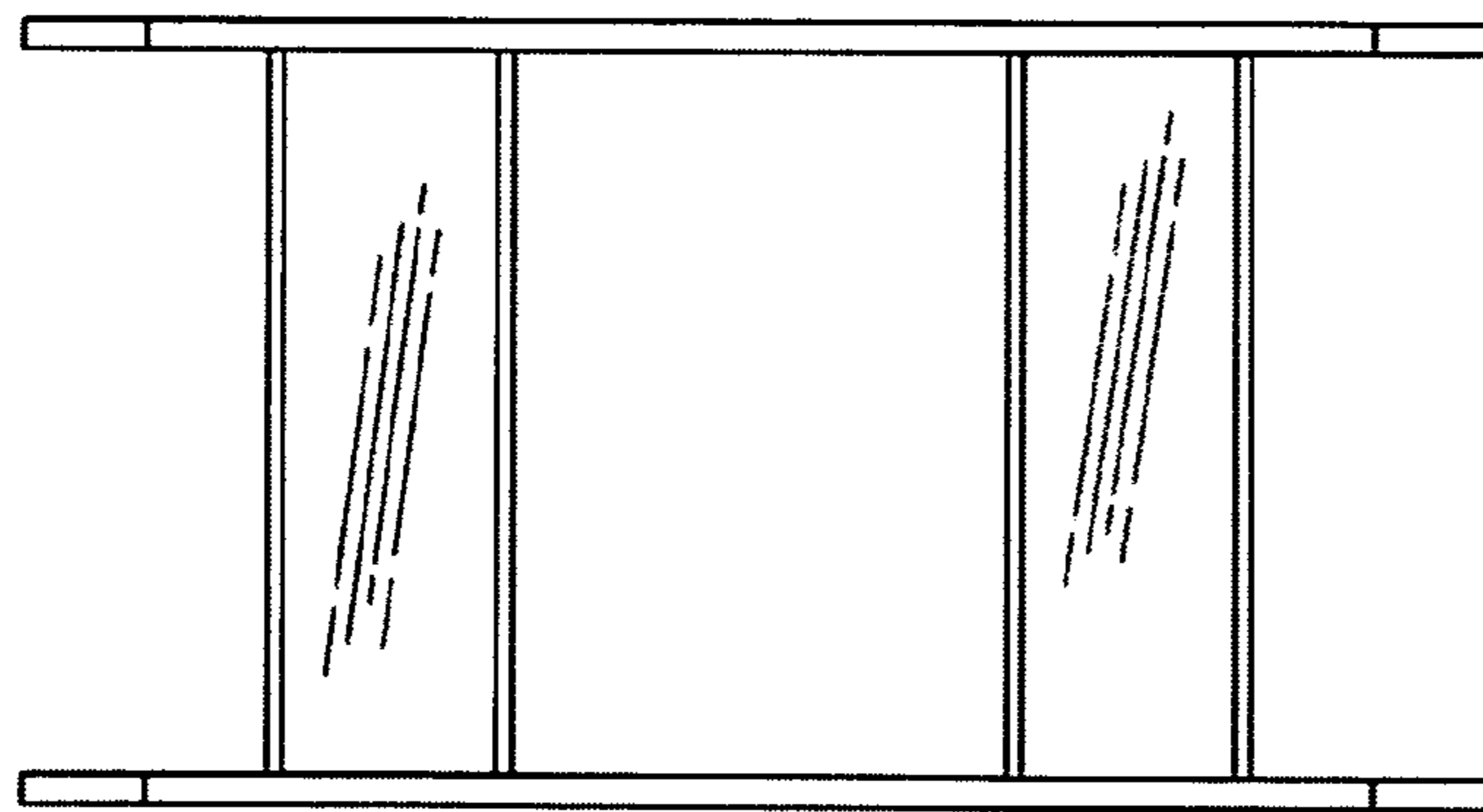


FIG. 2

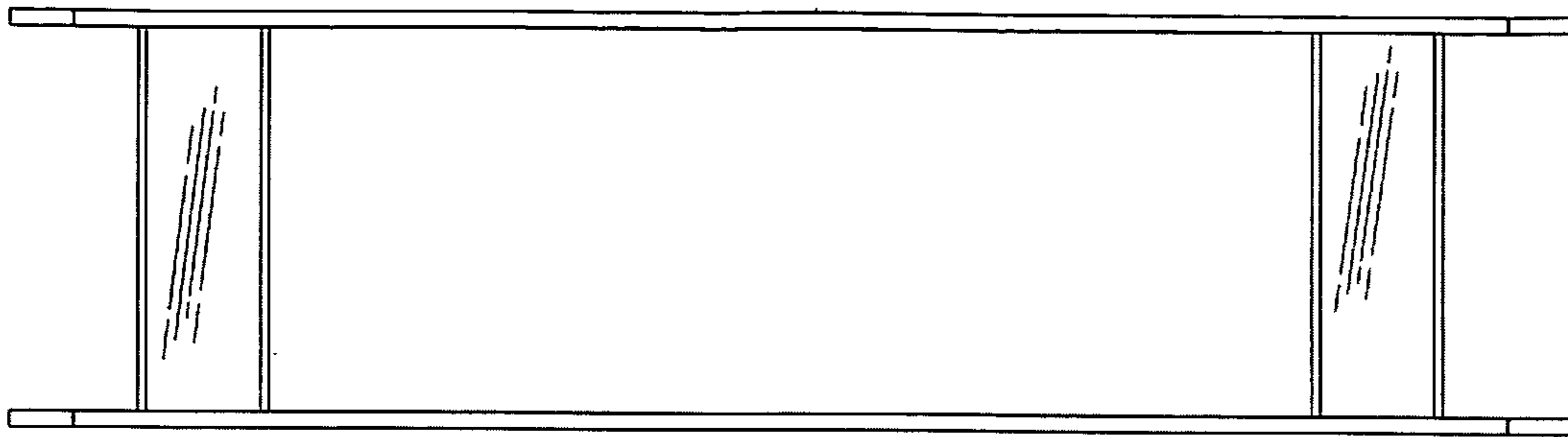


FIG. 3

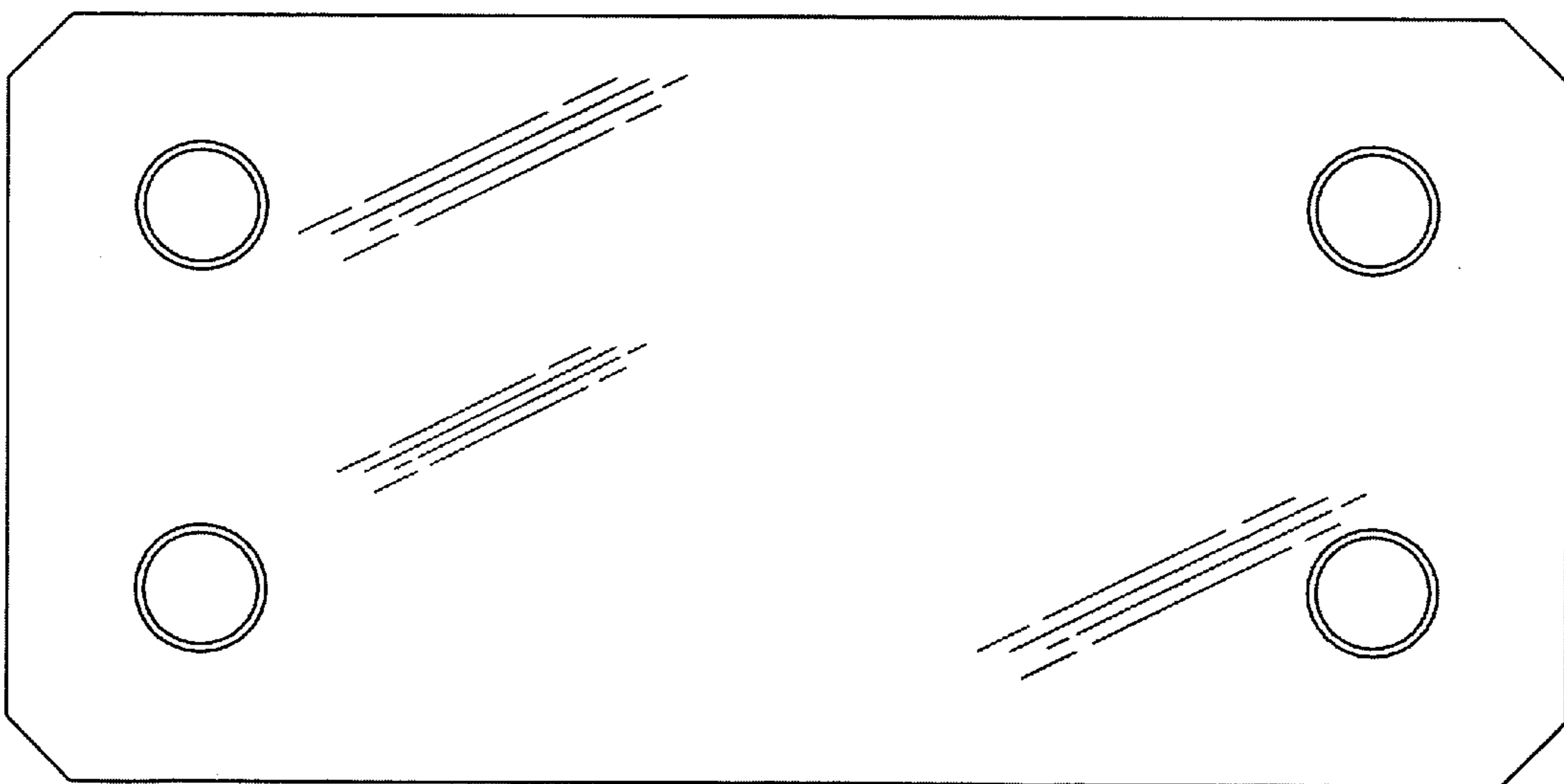


FIG. 4