



US00D576427S

(12) **United States Design Patent**  
**Stebbens et al.**

(10) **Patent No.:** **US D576,427 S**  
(45) **Date of Patent:** **\*\* Sep. 9, 2008**

(54) **FLAT SCREEN STAND**

(75) Inventors: **Jason Andrew Stebbens**, West Yorkshire (GB); **Oliver Pearce Mitchell**, West Yorkshire (GB)

(73) Assignee: **Off the Wall (UK) Limited** (GB)

(\*\*) Term: **14 Years**

(21) Appl. No.: **29/280,488**

(22) Filed: **May 30, 2007**

(30) **Foreign Application Priority Data**

Nov. 30, 2006 (EM) ..... 000630629-0001  
Nov. 30, 2006 (EM) ..... 000630629-0002  
Nov. 30, 2006 (EM) ..... 000630629-0003

(51) **LOC (8) Cl.** ..... **06-04**

(52) **U.S. Cl.** ..... **D6/477**

(58) **Field of Classification Search** ..... D6/477-479,  
D6/460-461, 468, 474, 407; D14/239, 129,  
D14/126; 108/59, 96, 91-92; 211/40, 41.12,  
211/42, 49.1, 50, 85.2; 312/9.1, 9.2, 46,  
312/9.64, 9.8, 7.2

See application file for complete search history.

(56) **References Cited**

**U.S. PATENT DOCUMENTS**

D311,549 S 10/1990 Battisti  
D319,659 S 9/1991 Moor  
D330,288 S 10/1992 Rawson  
D401,410 S 11/1998 Wyant  
D414,800 S 10/1999 Wyant  
D435,591 S 12/2000 Wyant  
D458,053 S \* 6/2002 Luong ..... D6/477

D459,391 S 6/2002 Huang  
D495,163 S \* 8/2004 Weatherly ..... D6/479  
D504,463 S 4/2005 Wehmeyer  
6,899,541 B2 5/2005 Kassai et al.  
D507,900 S \* 8/2005 Sexton ..... D6/474  
D508,171 S \* 8/2005 Choo ..... D6/477  
D517,349 S \* 3/2006 Lara ..... D6/477  
D537,656 S \* 3/2007 Stenhouse et al. .... D6/474  
D537,658 S \* 3/2007 Tung ..... D6/479  
D539,566 S \* 4/2007 Anderson et al. .... D6/474  
D545,081 S \* 6/2007 Lara ..... D6/466

\* cited by examiner

*Primary Examiner*—Elizabeth A. Albert

*Assistant Examiner*—Kelley A. Donnelly

(74) *Attorney, Agent, or Firm*—Adams Intellectual Property Law, P.A.

(57) **CLAIM**

We claim the ornamental design for a flat screen stand, as shown and described.

**DESCRIPTION**

FIG. 1 is a perspective view of the flat screen stand according to the invention;

FIG. 2 is a front elevational view of the flat screen stand of FIG. 1;

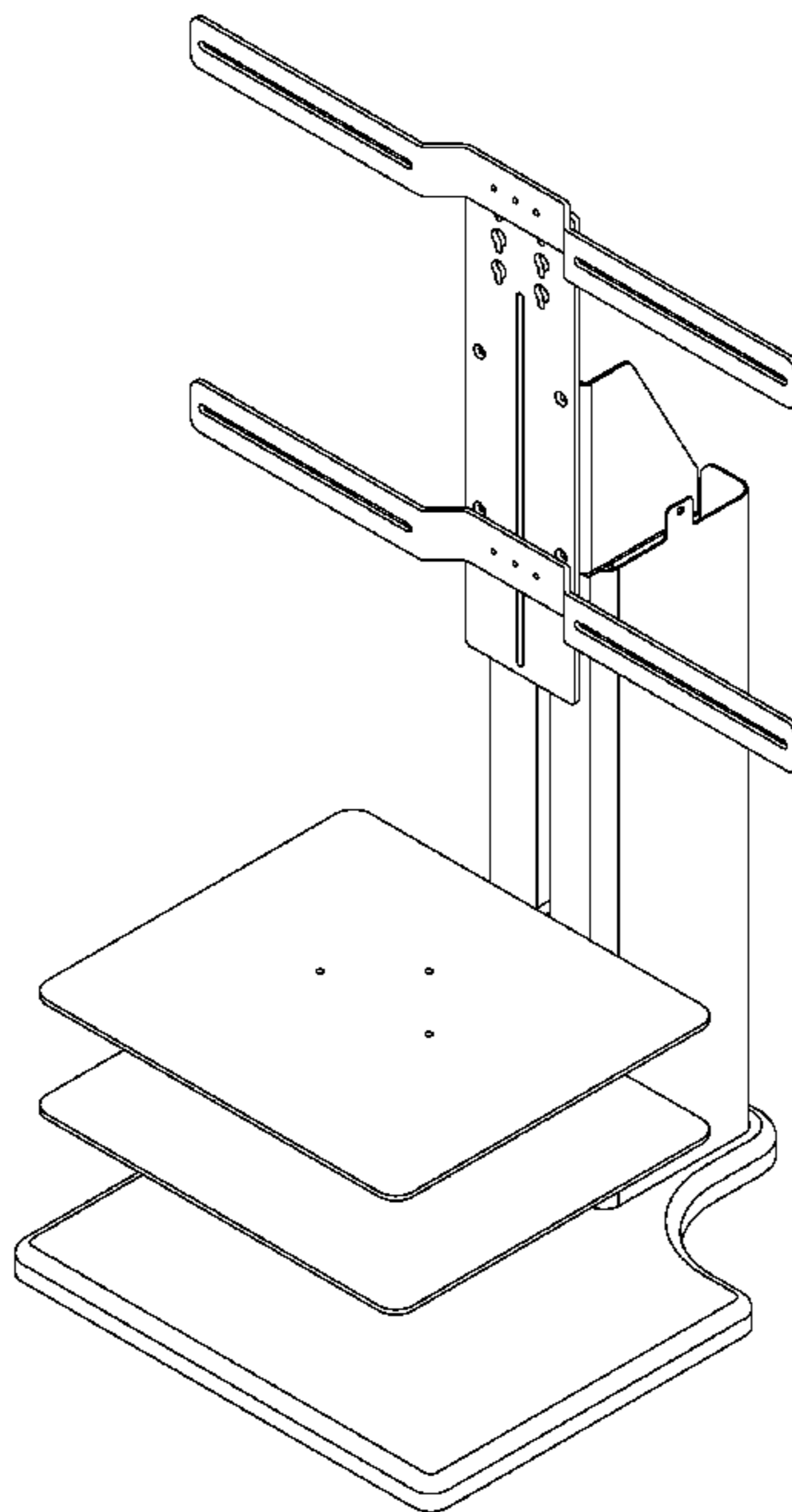
FIG. 3 is a side elevational view of the flat screen stand of FIG. 1;

FIG. 4 is a rear elevational view of the flat screen stand of FIG. 1;

FIG. 5 is a top plan view of the flat screen stand of FIG. 1; and,

FIG. 6 is a bottom plan view of the flat screen stand of FIG. 1.

**1 Claim, 6 Drawing Sheets**



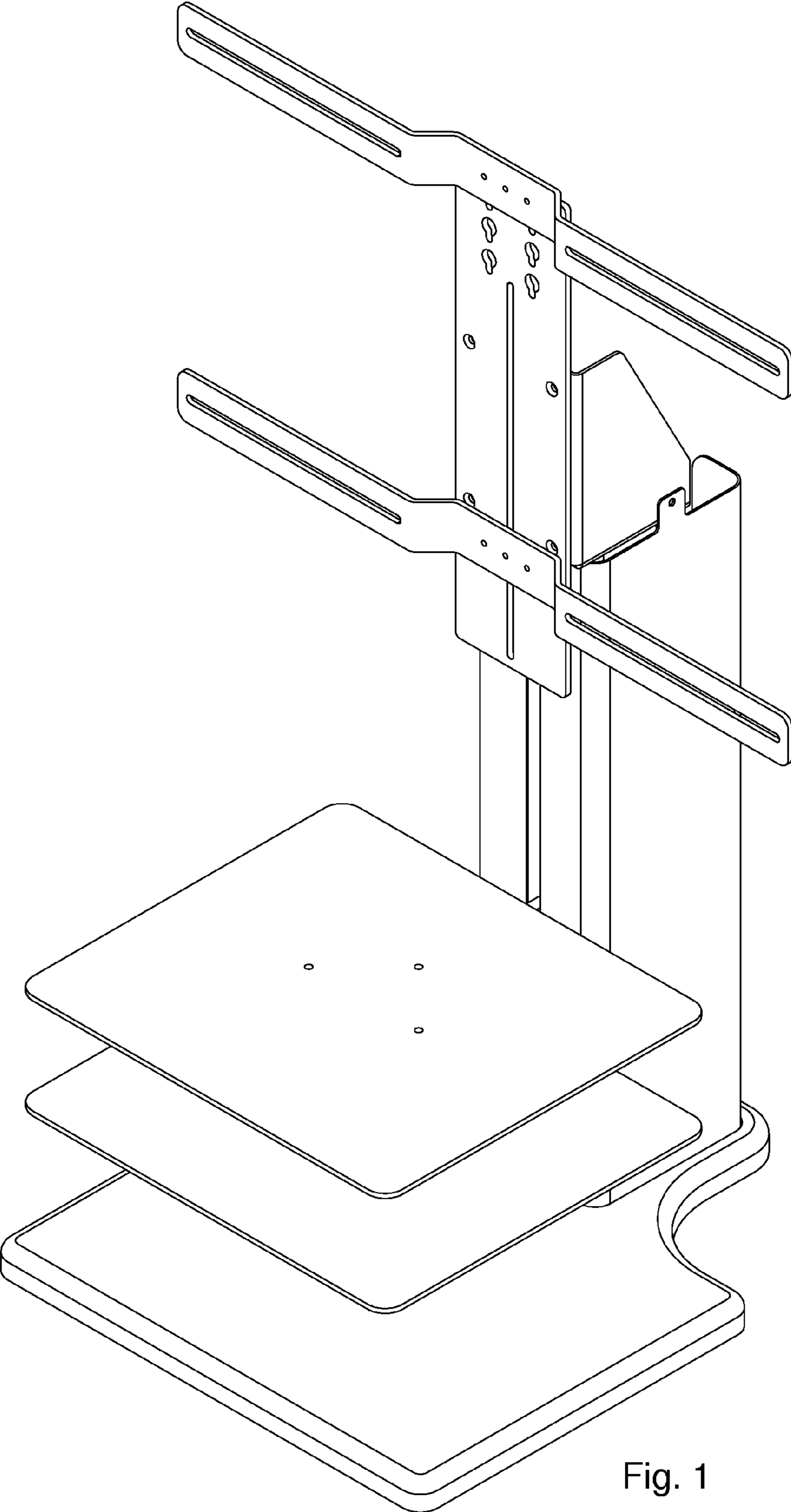


Fig. 1

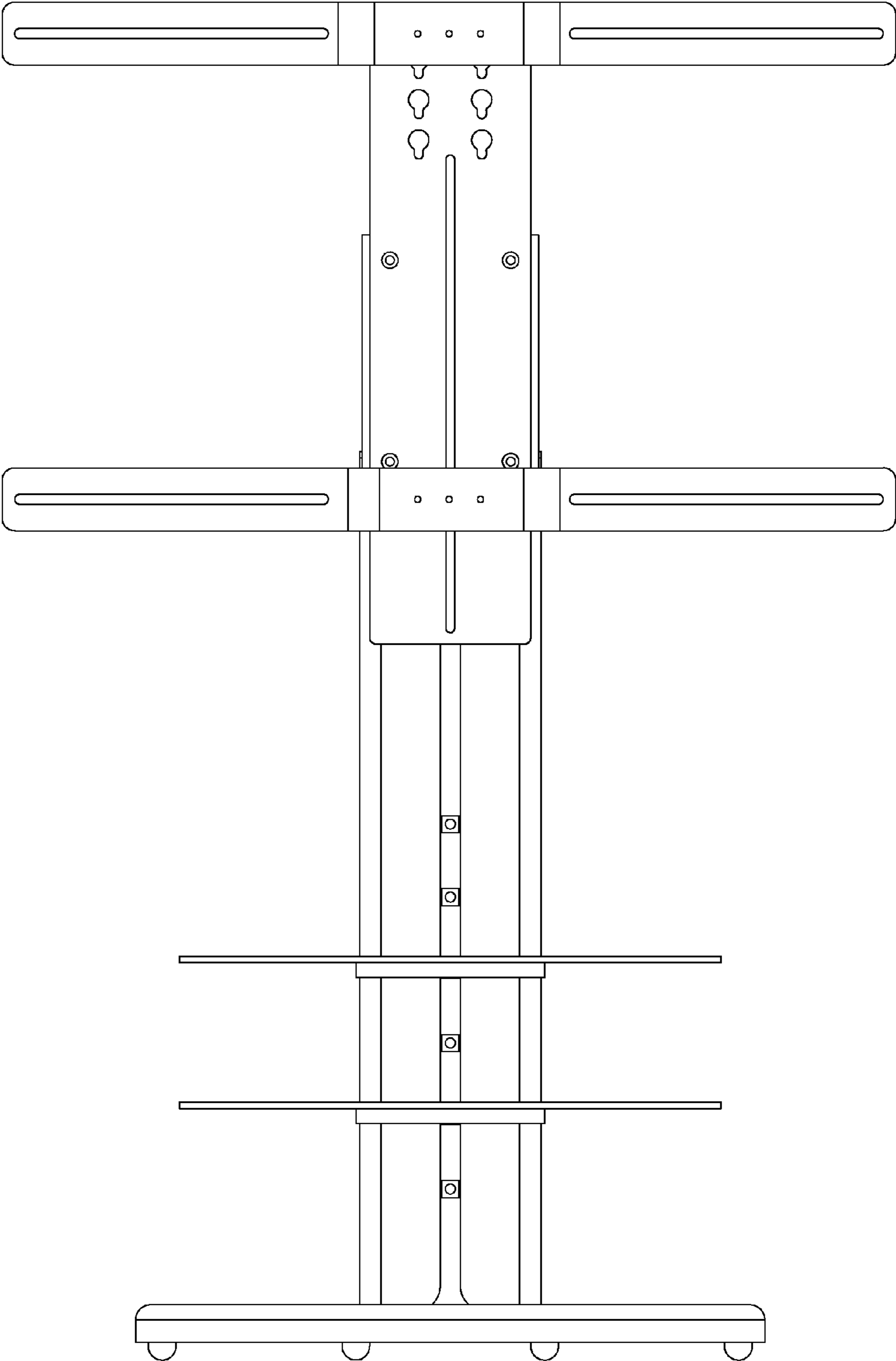


Fig. 2

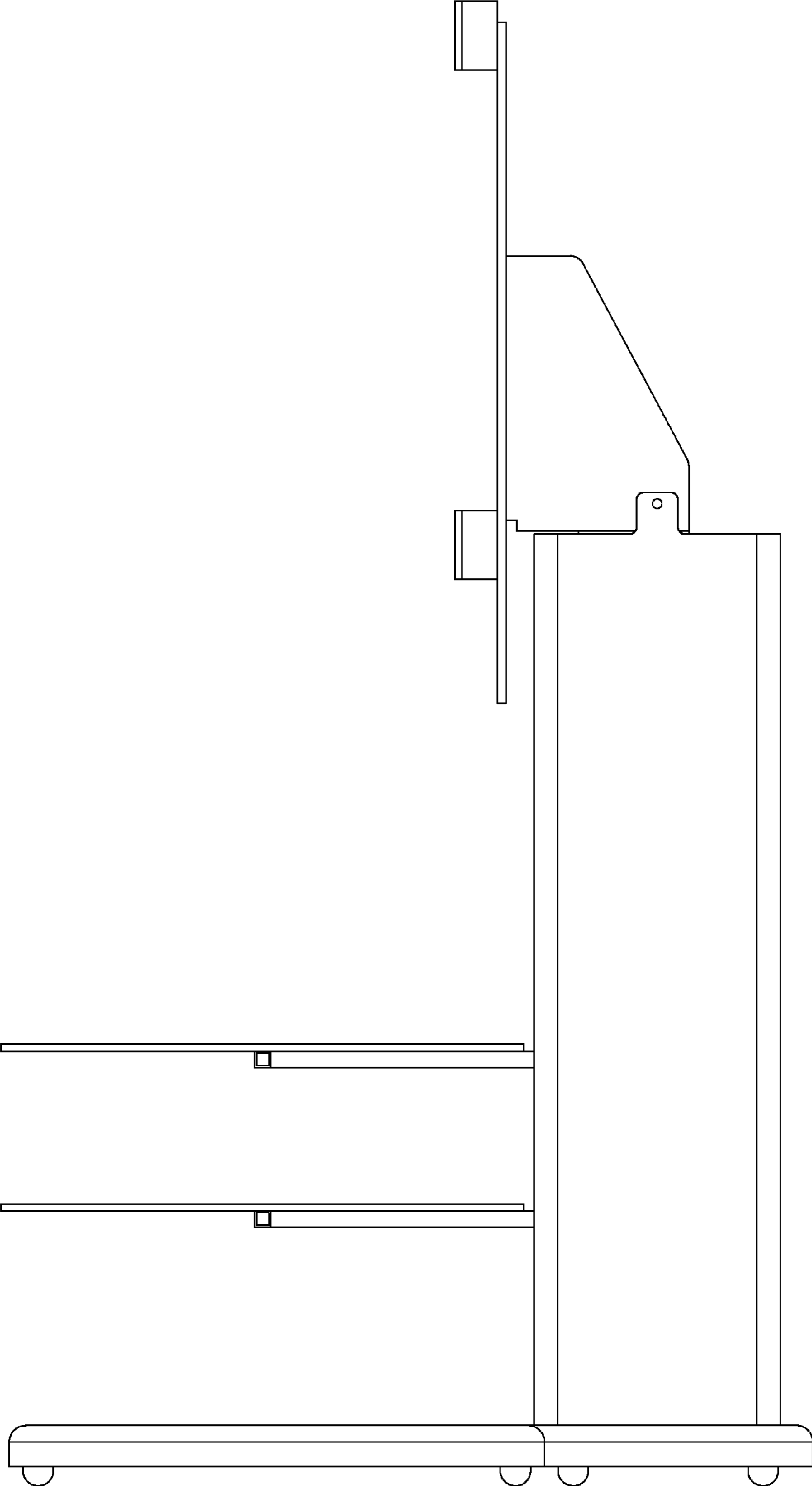


Fig. 3

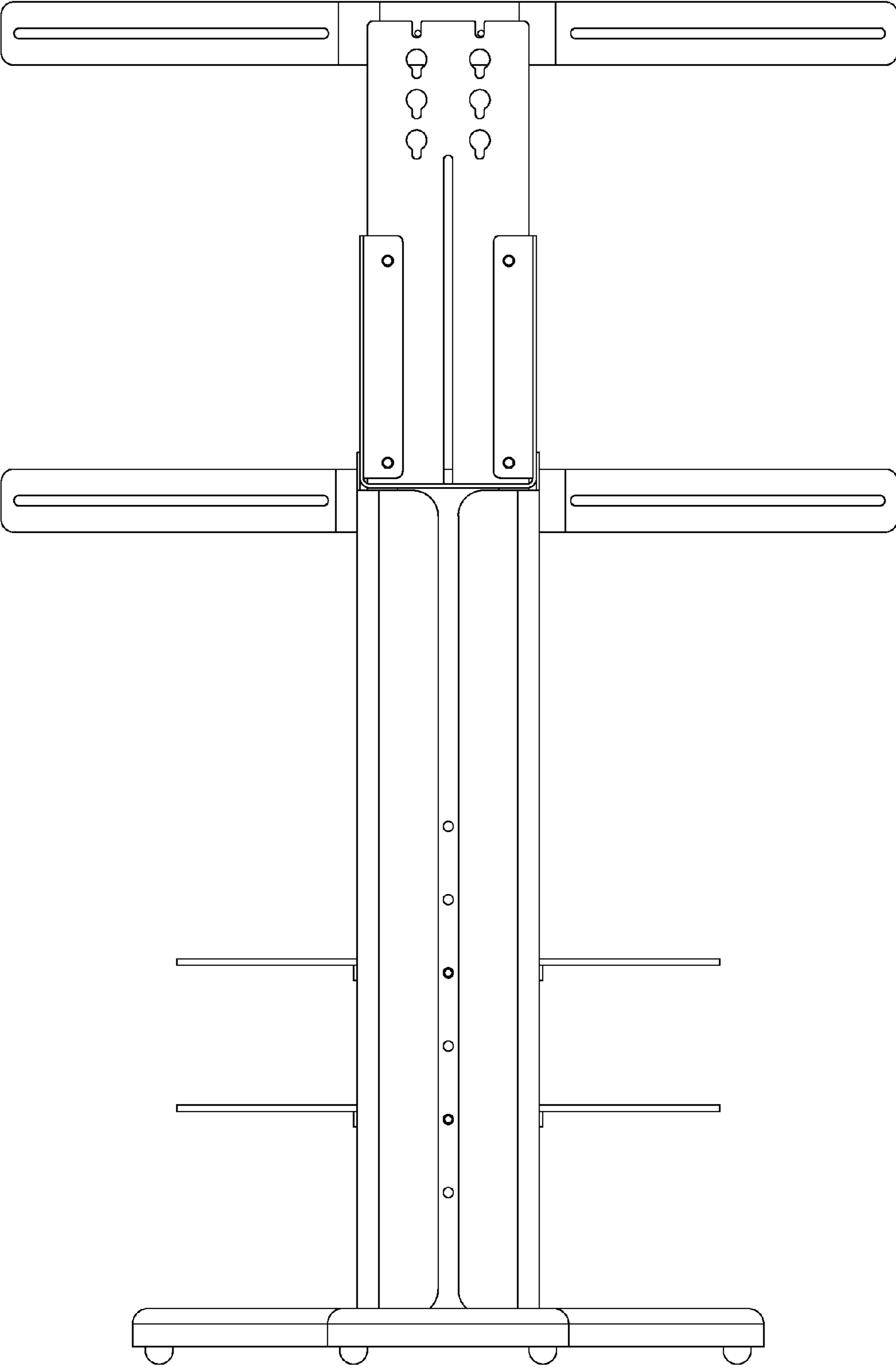


Fig. 4

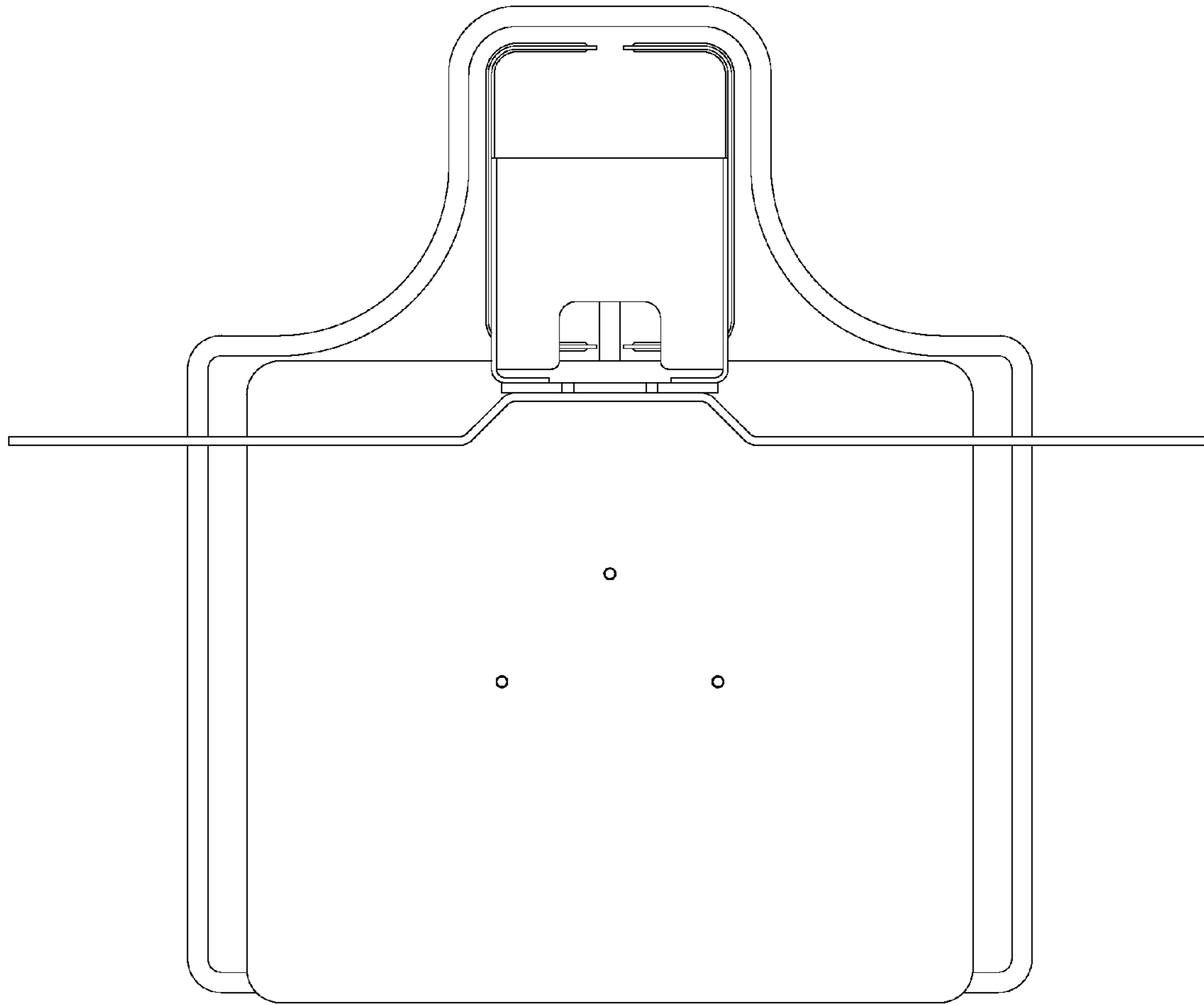


Fig. 5

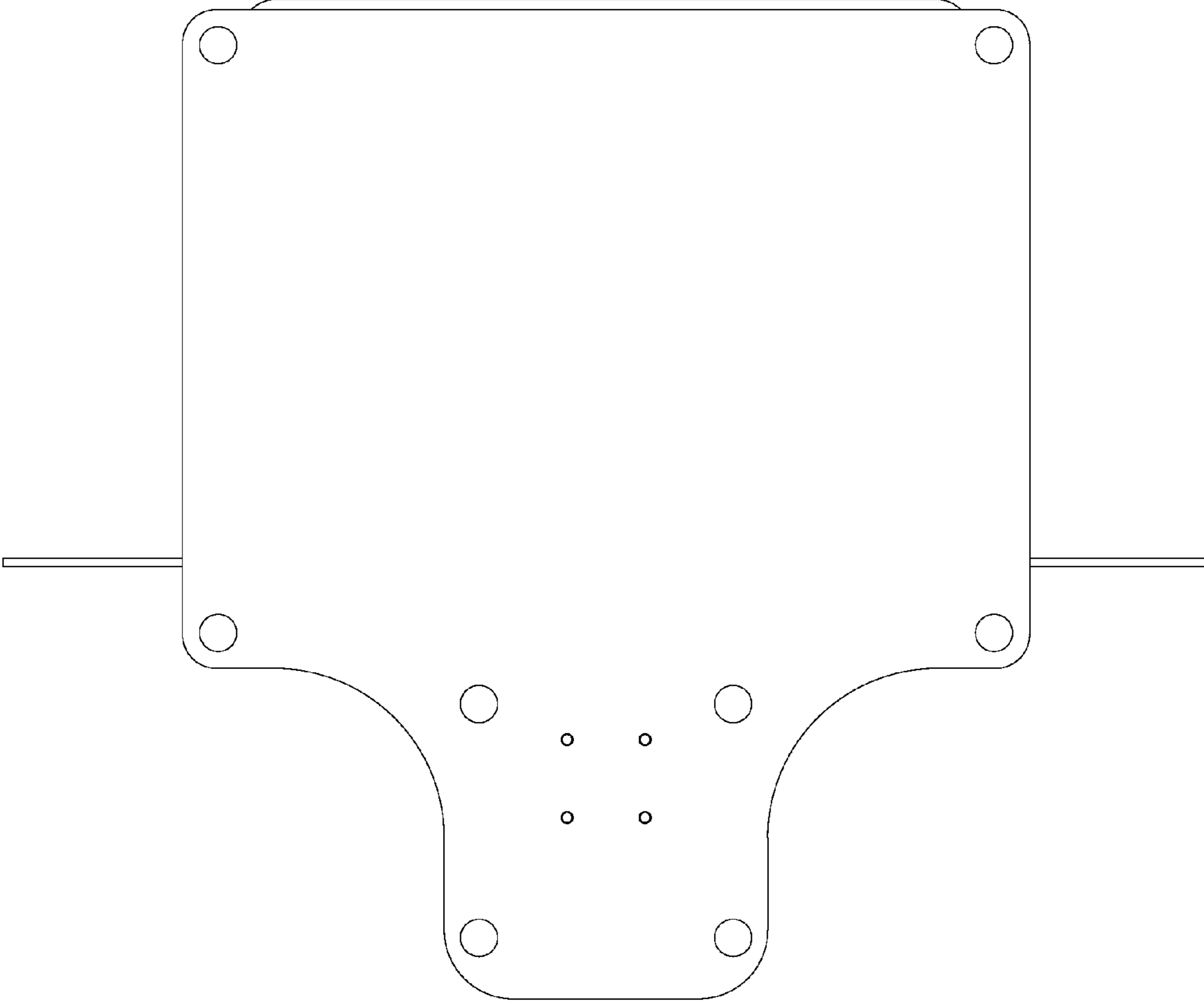


Fig. 6