

US00D576426S

(12) **United States Design Patent**  
**Yuen-Schat et al.**

(10) **Patent No.:** **US D576,426 S**  
(45) **Date of Patent:** **\*\* Sep. 9, 2008**

- (54) **COSMETIC DISPLAY FIXTURE**
- (75) Inventors: **Ming Yuen-Schat**, Brooklyn, NY (US);  
**Carla Lopez**, Brooklyn, NY (US)
- (73) Assignee: **Victoria's Secret Stores Brand Management, Inc.**, Reynoldsburg, OH (US)
- (\*\*) Term: **14 Years**
- (21) Appl. No.: **29/291,240**
- (22) Filed: **Aug. 21, 2007**

4,982,852 A	1/1991	Johansen	
D334,495 S *	4/1993	Bustos	D6/470
D363,840 S *	11/1995	Weshler	D6/476
D398,462 S *	9/1998	Baluk et al.	D6/476
D419,338 S *	1/2000	Battaglia	D6/473
D450,483 S *	11/2001	Chang et al.	D6/467
D451,305 S *	12/2001	Chang et al.	D6/467
6,467,856 B1 *	10/2002	Chang et al.	312/108
D470,339 S *	2/2003	Mohanraju et al.	D6/474
6,603,550 B1	8/2003	Flynn et al.	
6,866,352 B2	3/2005	Fujii et al.	
6,955,268 B2	10/2005	Waldron	
D530,940 S *	10/2006	Raile	D6/479

- (51) **LOC (8) Cl.** ..... **06-04**
- (52) **U.S. Cl.** ..... **D6/474**
- (58) **Field of Classification Search** ..... D6/470,  
D6/468, 473-479; 211/11, 42, 44, 50, 45,  
211/48, 85.1

**FOREIGN PATENT DOCUMENTS**

FR	2868273	10/2005
JP	9028529	2/1997
JP	2000051026	2/2000
JP	2000083778	3/2000
JP	2001299522	10/2001
JP	2001299523	10/2001

See application file for complete search history.

\* cited by examiner

- (56) **References Cited**  
U.S. PATENT DOCUMENTS

*Primary Examiner*—Elizabeth A. Albert  
*Assistant Examiner*—Kelley A Donnelly  
 (74) *Attorney, Agent, or Firm*—Ward & Olivo

985,910 A	3/1911	Lange	
1,020,557 A	3/1912	Hunter	
1,523,875 A	1/1925	Iseman et al.	
1,866,511 A	7/1932	McKee et al.	
D116,577 S	9/1939	Schutz	
2,723,766 A	11/1955	Kobs	
3,297,374 A	1/1967	Radek	
3,329,282 A	7/1967	Swan et al.	
3,908,830 A	9/1975	Skrzelowski	
4,093,078 A	6/1978	Radek	
D250,441 S	12/1978	Richman et al.	
D250,623 S	12/1978	Albert	
D250,624 S	12/1978	Albert	
4,164,287 A	8/1979	Muller et al.	
D254,044 S	1/1980	Lawson	
D254,111 S	2/1980	Schaefer	
D257,101 S	9/1980	Peterson et al.	
D257,813 S	1/1981	Oestreich et al.	
4,530,549 A	7/1985	Genna	
D290,204 S *	6/1987	Bruget	D6/479
D302,632 S	8/1989	Rees	

(57) **CLAIM**

The ornamental design for a cosmetic display fixture, as shown and described.

**DESCRIPTION**

FIG. 1 is a perspective view of a cosmetic display fixture in accordance with the present invention as shown in the present design;

FIG. 2 is a front view thereof;

FIG. 3 is a rear view thereof;

FIG. 4 is a right view thereof;

FIG. 5 is a left view thereof; and,

FIG. 6 is a top view thereof.

The broken lines shown in FIGS. 1-6 are for environmental purposes only and form no part of the claimed design.

**1 Claim, 6 Drawing Sheets**

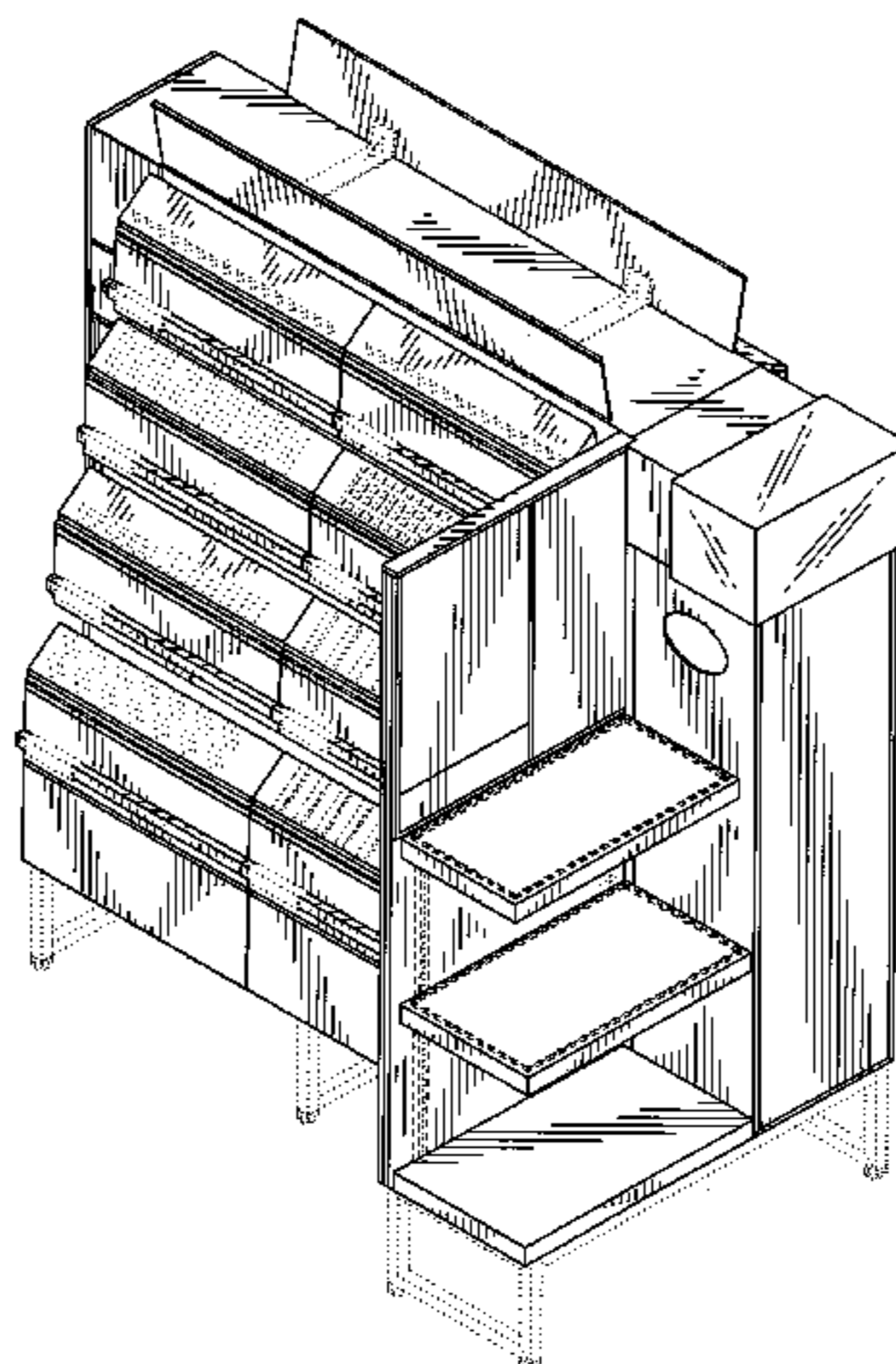


FIG. 1

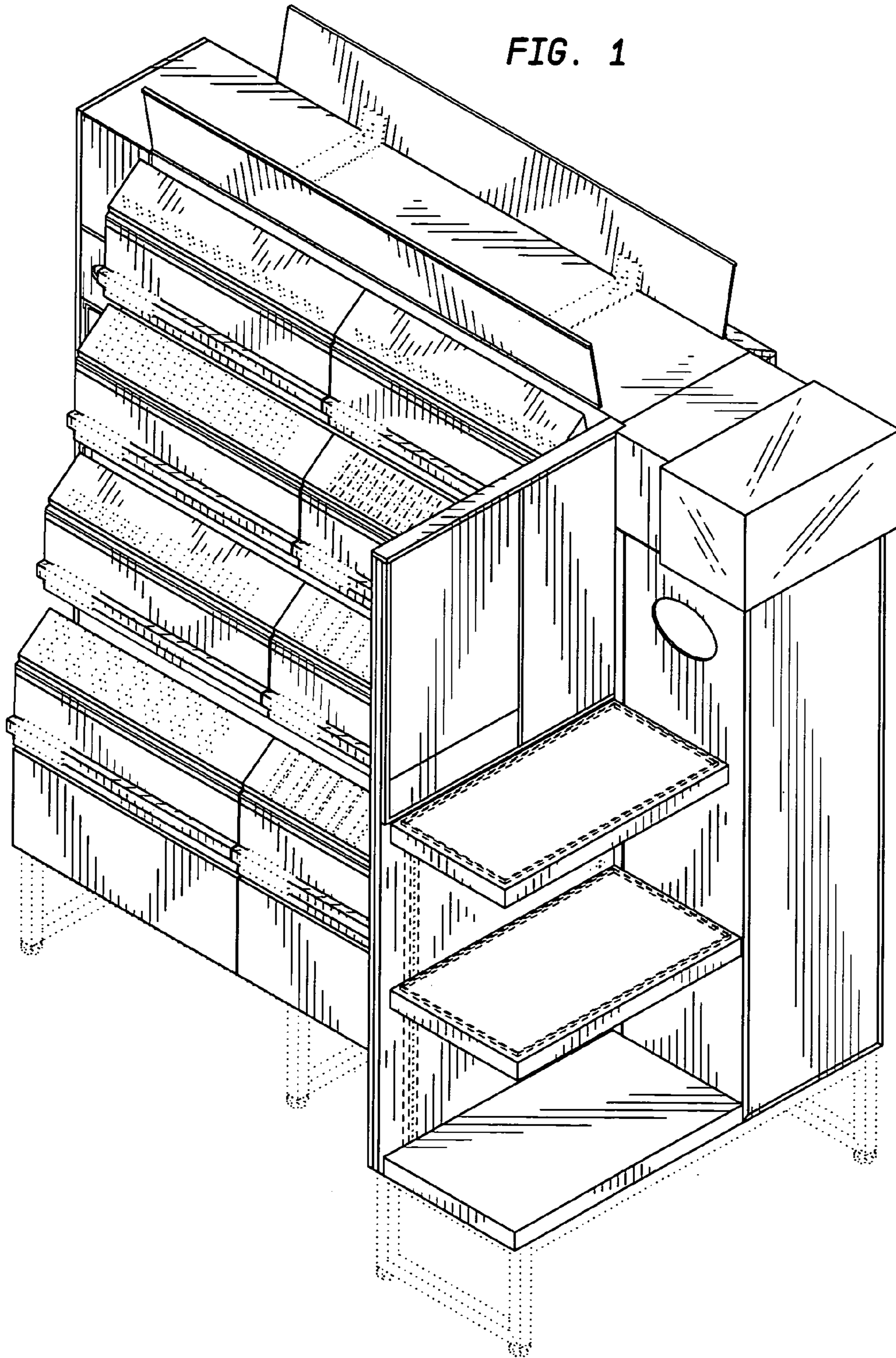


FIG. 2

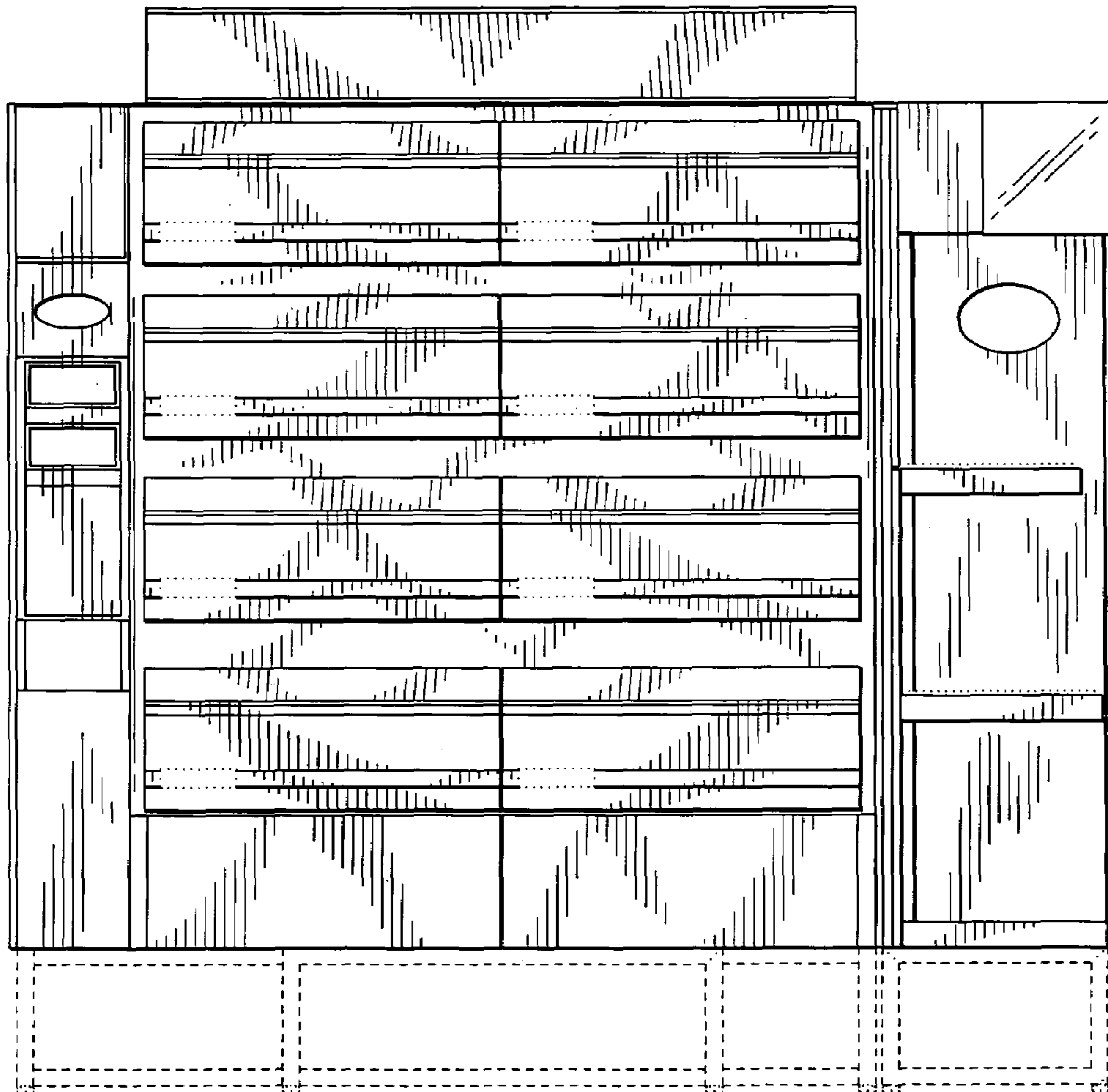


FIG. 3

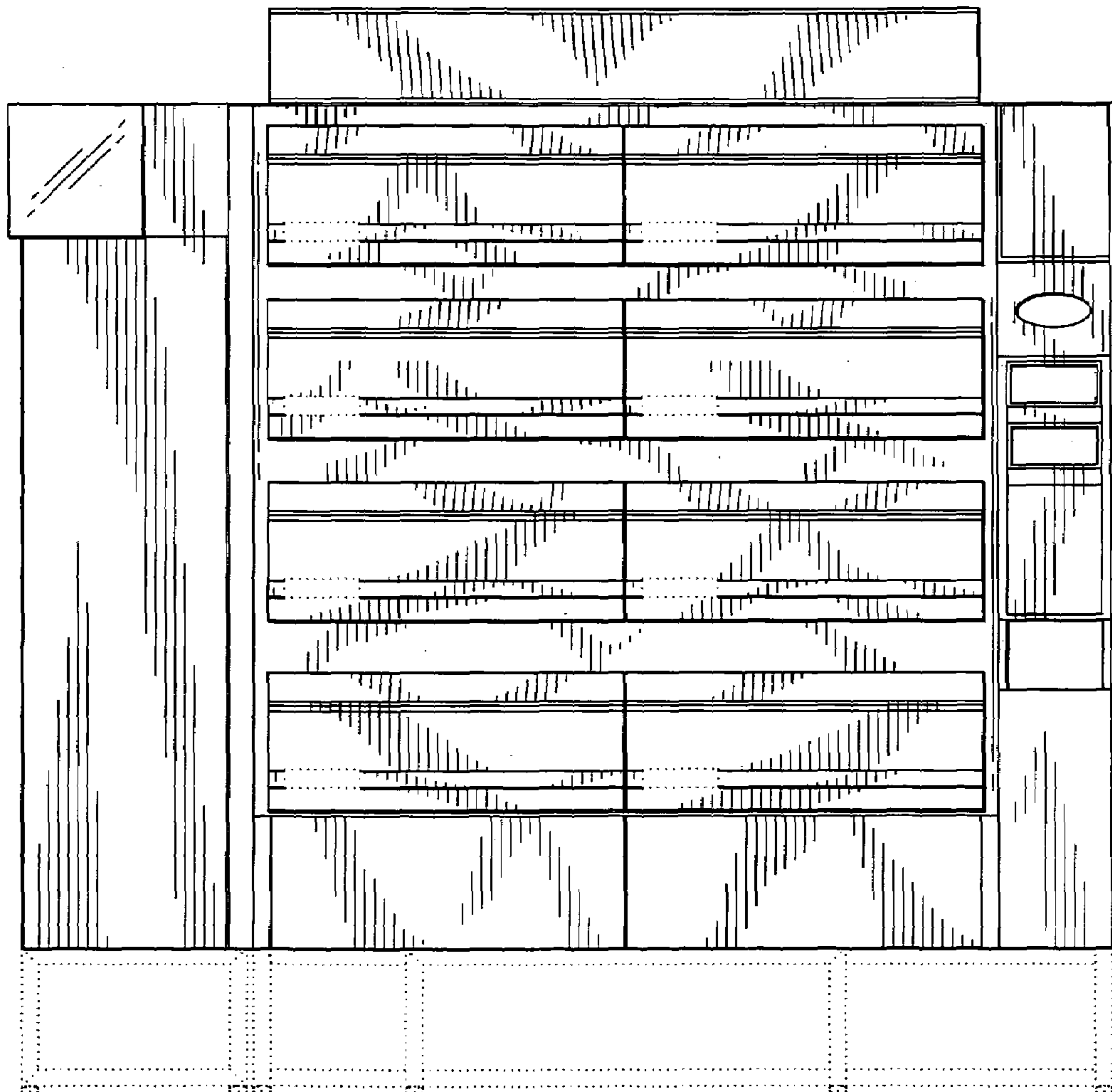


FIG. 4

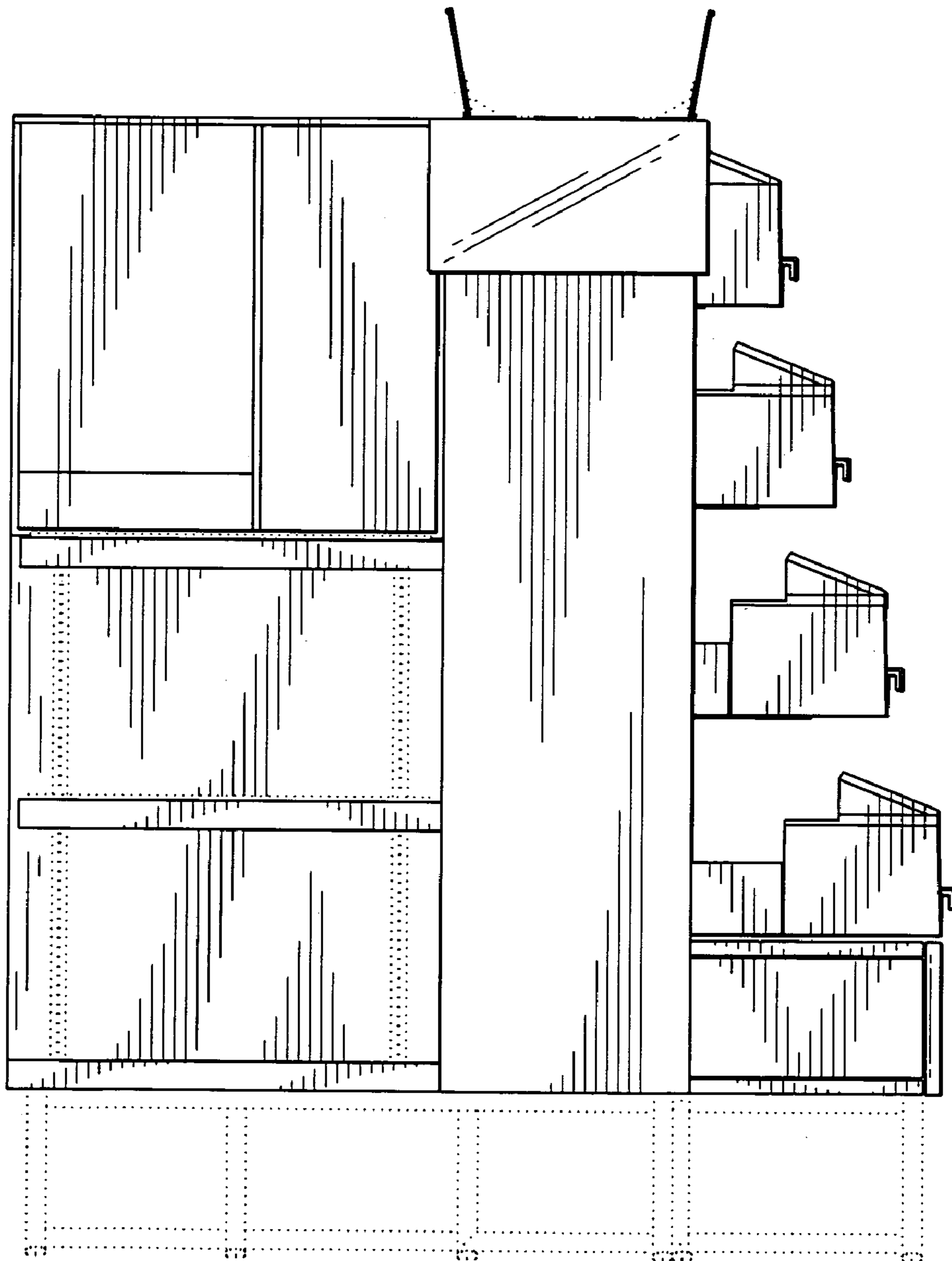


FIG. 5

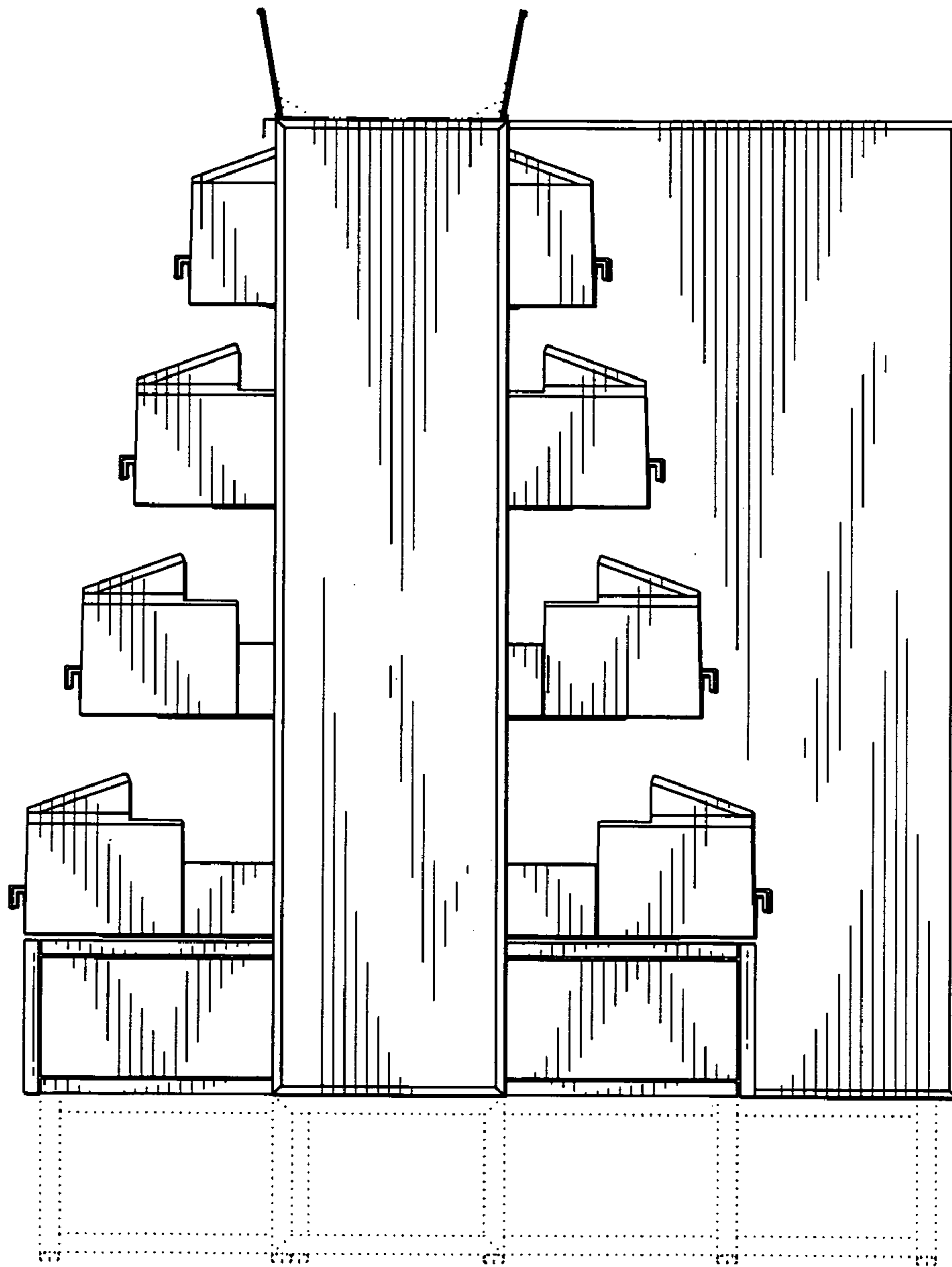


FIG. 6

