

US00D576421S

(12) **United States Design Patent**  
**Grabowski et al.**

(10) **Patent No.:** **US D576,421 S**

(45) **Date of Patent:** **\*\* Sep. 9, 2008**

(54) **WALL UNIT**

D464,503 S \* 10/2002 Novikoff ..... D6/426  
D487,853 S \* 3/2004 Woods ..... D6/436

(75) Inventors: **Daniel Grabowski**, Grand Rapids, MI (US); **John Henry Heyder**, Orleans, IN (US); **Randy Isenberg**, West Baden Springs, IN (US); **Geoff Orender**, Bedford, IN (US)

\* cited by examiner

*Primary Examiner*—Janice E Seeger

(74) *Attorney, Agent, or Firm*—Faegre & Benson LLP

(73) Assignee: **HNI Technologies Inc.**, Muscatine, IA (US)

(57) **CLAIM**

(\*\*) Term: **14 Years**

The ornamental design for a wall unit, as shown and described.

(21) Appl. No.: **29/280,866**

(22) Filed: **Jun. 8, 2007**

**DESCRIPTION**

(51) **LOC (8) Cl.** ..... **06-03**

(52) **U.S. Cl.** ..... **D6/426**

(58) **Field of Classification Search** ..... D6/422–428,  
D6/397, 429–431, 436, 384; 108/50.01,  
108/50.02, 60; 312/194–196, 239  
See application file for complete search history.

FIG. 1 is a front perspective view of a wall unit.

FIG. 2 is a top view thereof.

FIG. 3 is a bottom view thereof.

FIG. 4 is a front view thereof.

FIG. 5 is a back view thereof.

FIG. 6 is a left side view thereof; and,

FIG. 7 is a right side view thereof.

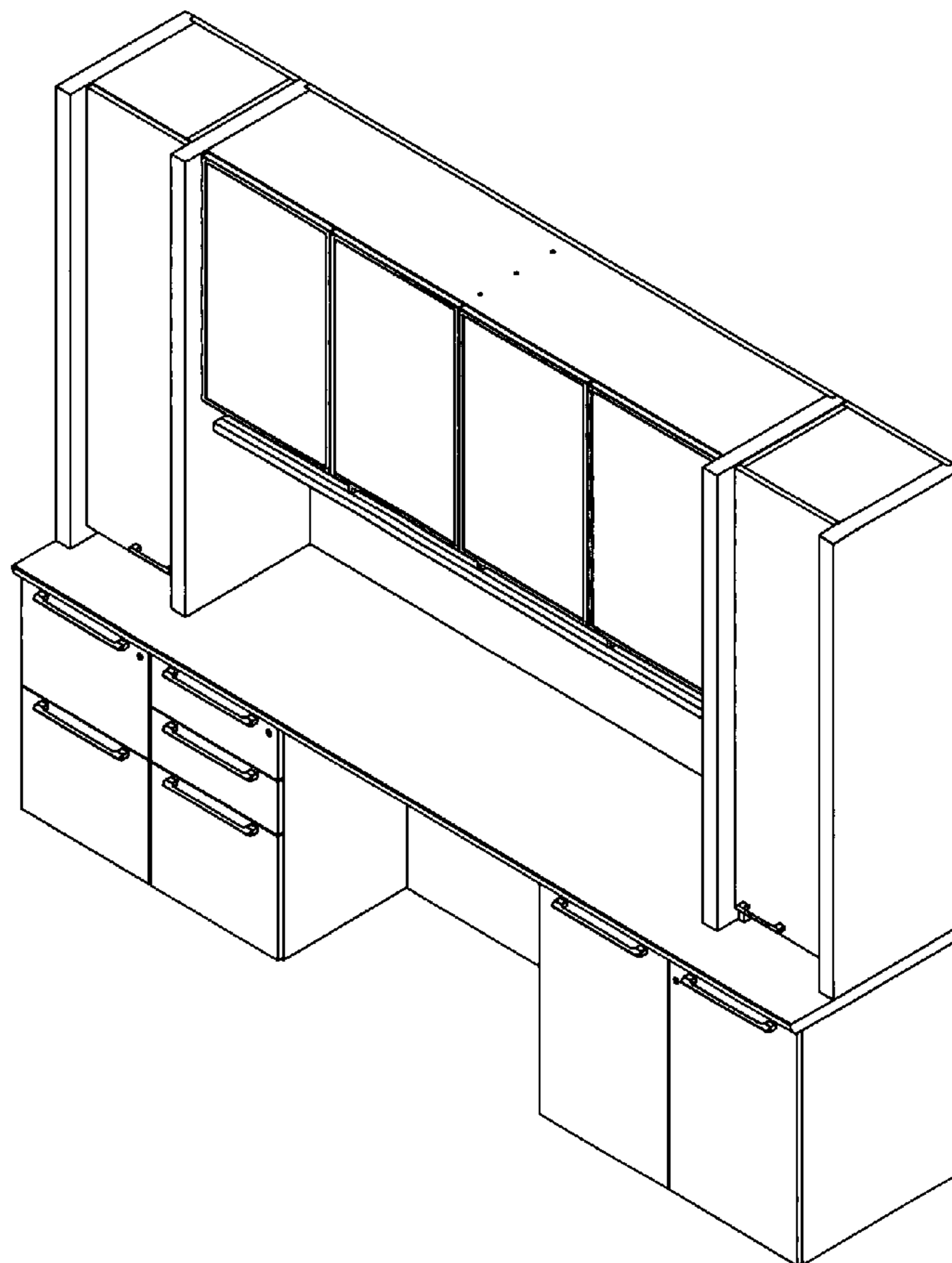
(56) **References Cited**

**U.S. PATENT DOCUMENTS**

D384,846 S \* 10/1997 Zaidman et al. .... D6/505

D405,625 S \* 2/1999 Zaidman et al. .... D6/426

**1 Claim, 7 Drawing Sheets**



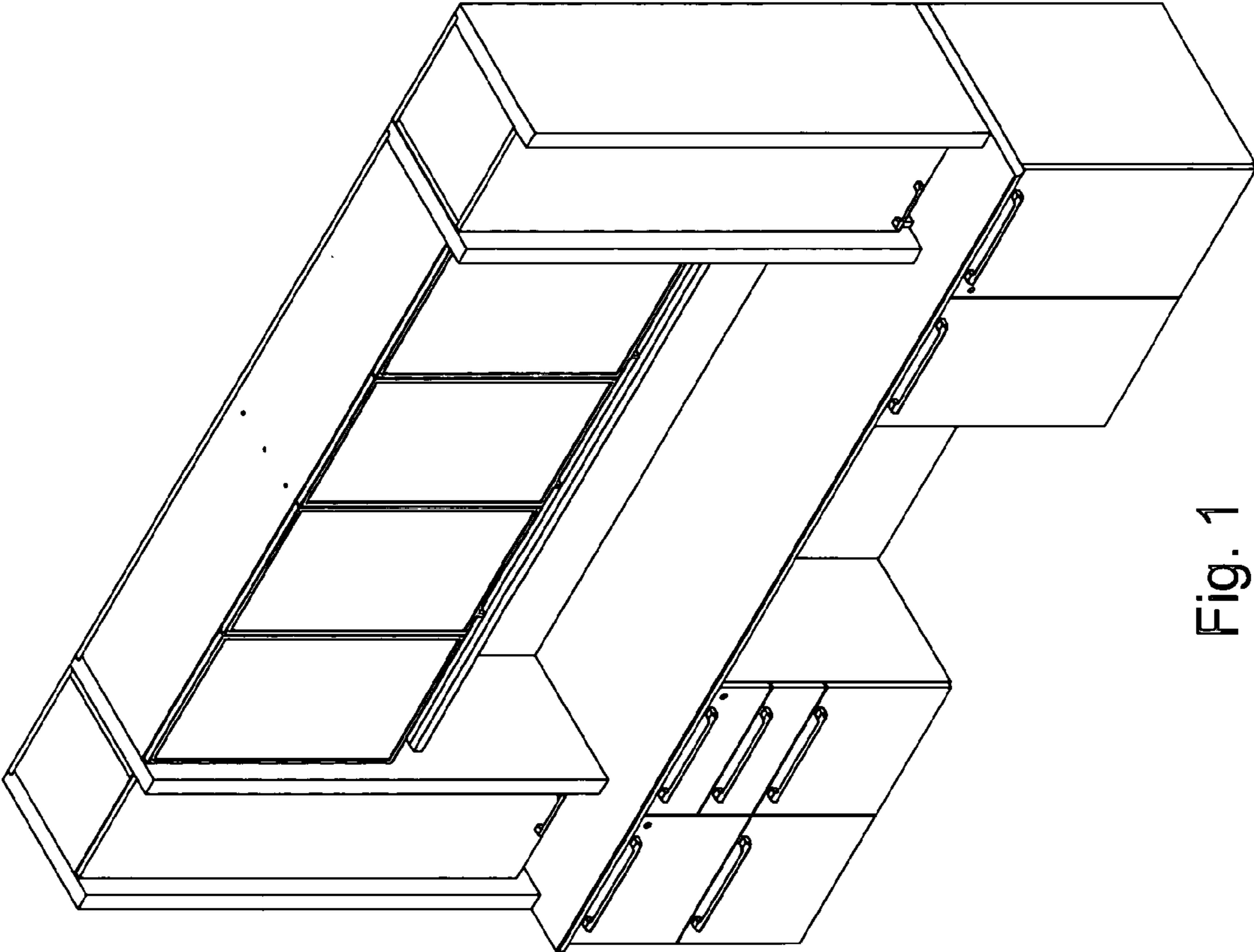


Fig. 1

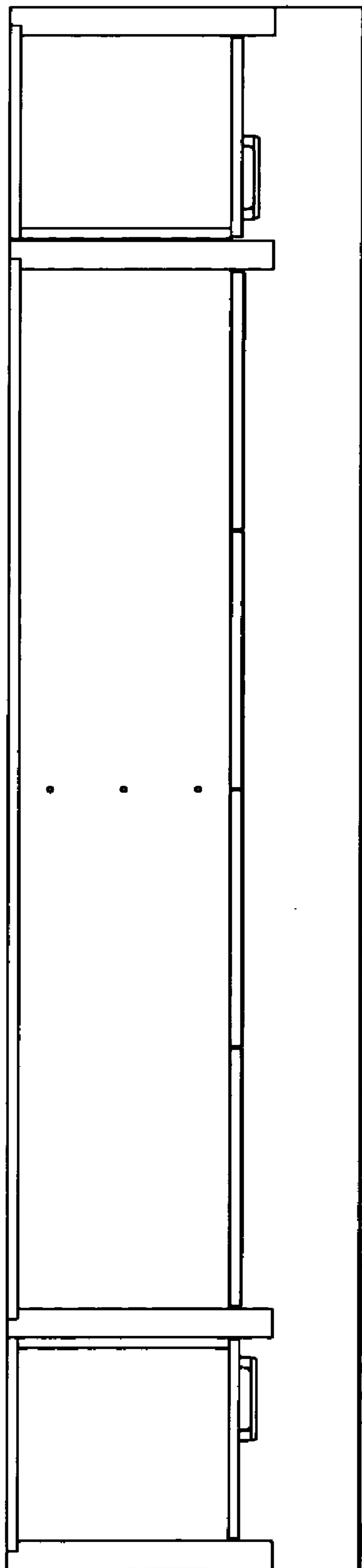


Fig. 2

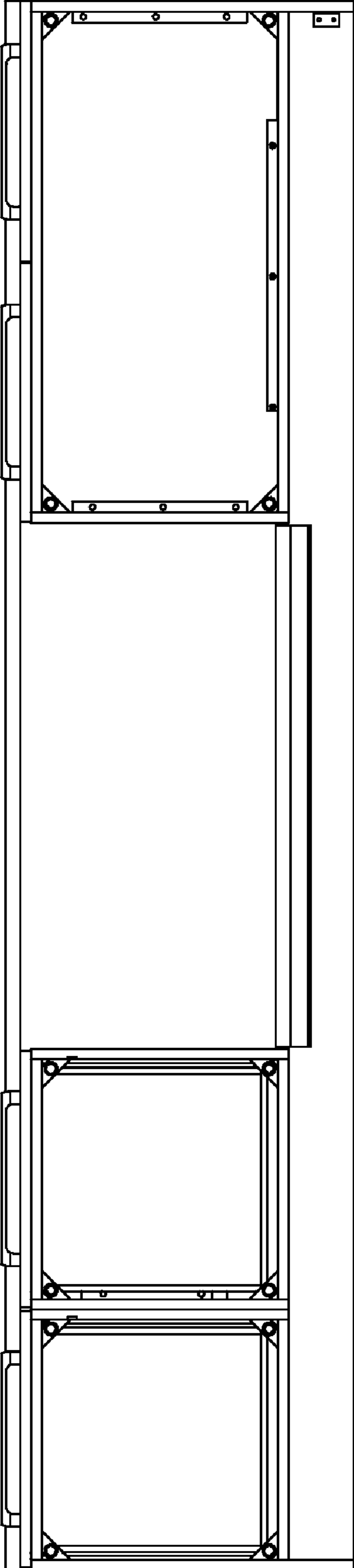


Fig. 3

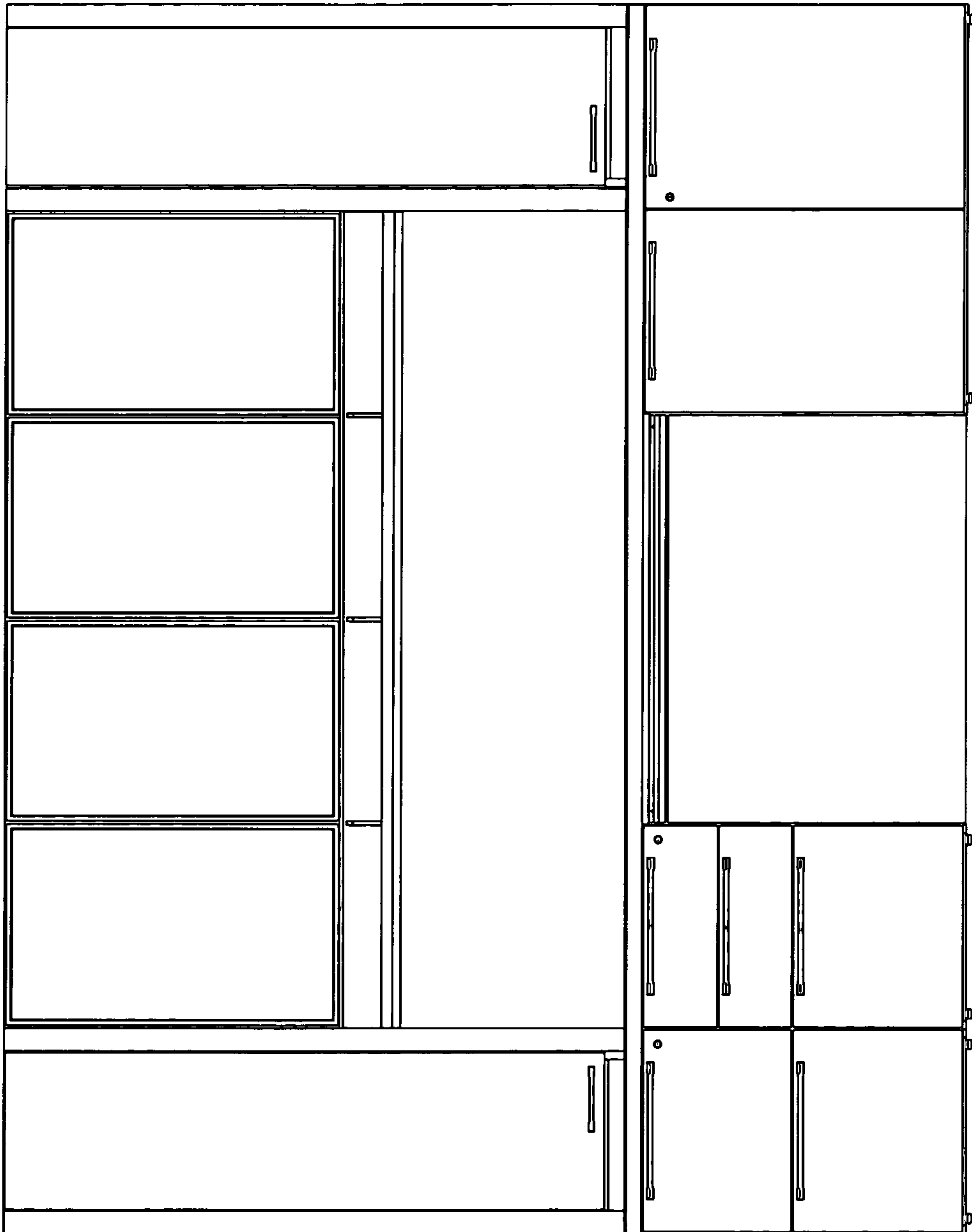


Fig. 4

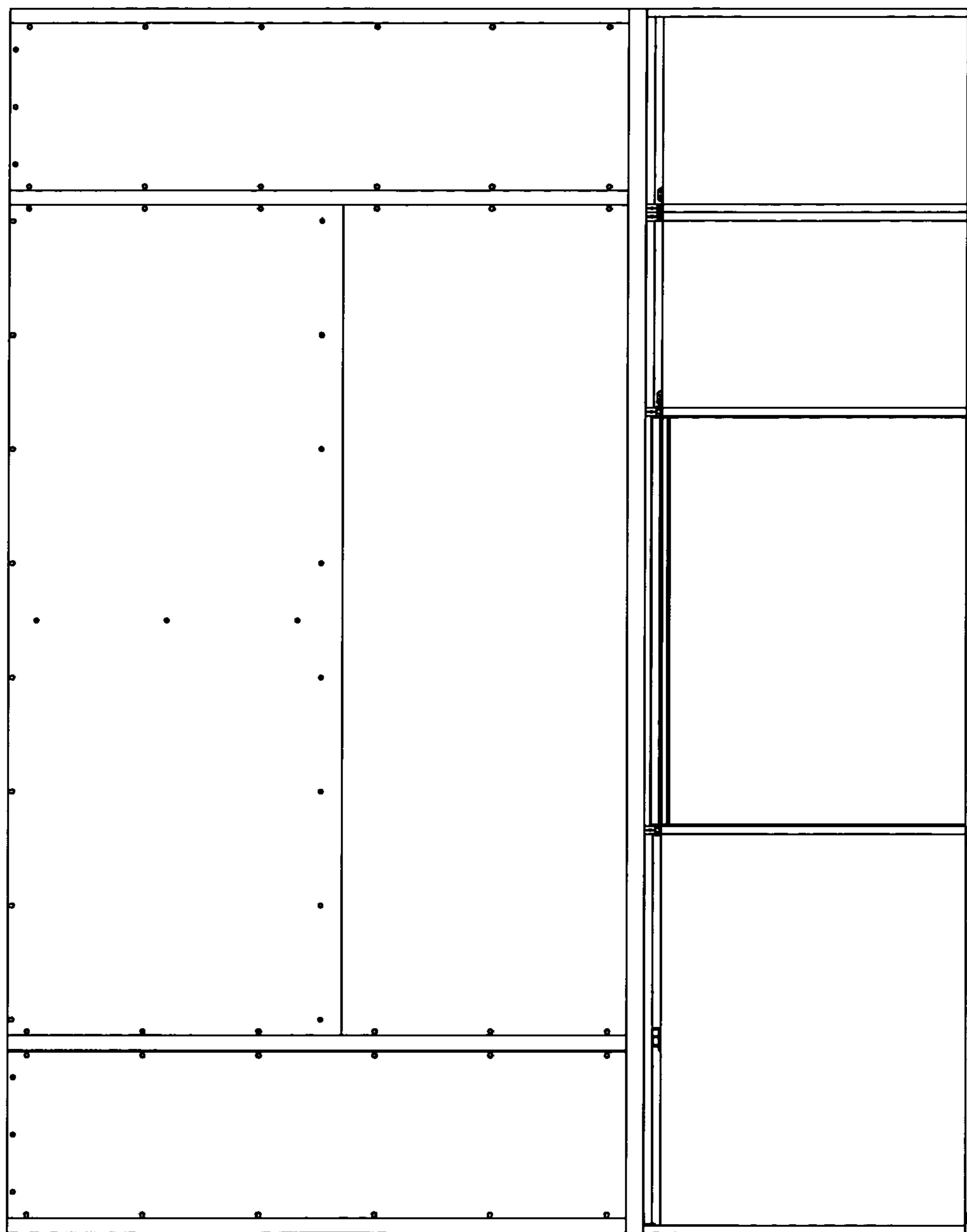


Fig. 5



Fig. 6

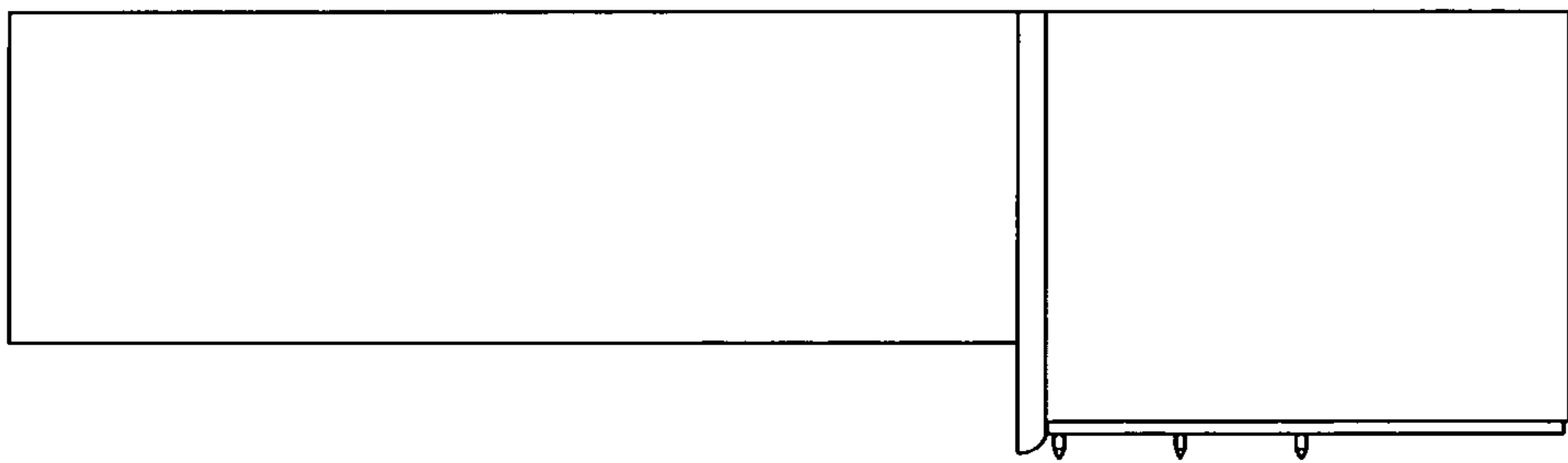


Fig. 7