



US00D576417S

(12) **United States Design Patent**
Dietrich

(10) **Patent No.:** **US D576,417 S**
(45) **Date of Patent:** **** Sep. 9, 2008**

(54) **CHAIR**

(75) Inventor: **Emmanuel Dietrich**, Hamburg (DE)

(73) Assignee: **Roset S.A.** (FR)

(**) Term: **14 Years**

(21) Appl. No.: **29/282,134**

(22) Filed: **Jul. 12, 2007**

(30) **Foreign Application Priority Data**

Jan. 12, 2007 (EP) 000650932-002

(51) **LOC (8) Cl.** **06-01**

(52) **U.S. Cl.** **D6/372**

(58) **Field of Classification Search** D6/372,
D6/366, 334-336, 358, 364-367, 370, 373-375,
D6/379, 500-502; 297/411.2, 411.27, 411.28,
297/411.36, 452.29, 284.4, 452.3
See application file for complete search history.

(56) **References Cited**

U.S. PATENT DOCUMENTS

286,262 A * 10/1883 Robins 446/250
D251,578 S * 4/1979 Ruf D6/372
4,784,435 A * 11/1988 Leib 297/451.7
D377,431 S * 1/1997 Stumpf et al. D6/500
D435,175 S * 12/2000 Chu D6/372
D455,570 S * 4/2002 Kita D6/373
D486,002 S * 2/2004 Lederman D6/372

D498,600 S * 11/2004 Koch et al. D6/372
D512,578 S * 12/2005 Igarashi D6/372
D512,579 S * 12/2005 Igarashi D6/372
D528,812 S * 9/2006 Giugiaro D6/372
D554,383 S * 11/2007 Scheper et al. D6/372
D554,881 S * 11/2007 de Brabandere et al. D6/372
D564,771 S * 3/2008 Dauphin D6/372

* cited by examiner

Primary Examiner—Caron D Veynar

Assistant Examiner—Katrina A Kile

(74) *Attorney, Agent, or Firm*—Cantor Colburn LLP

(57) **CLAIM**

I claim, the ornamental design for a chair, as shown and described.

DESCRIPTION

FIG. 1 is a front perspective view of a chair showing my new design;

FIG. 2 is a rear perspective view thereof;

FIG. 3 is side view thereof;

FIG. 4 is an opposite side view thereof;

FIG. 5 is a front view thereof;

FIG. 6 is a rear view thereof;

FIG. 7 is a top plan view thereof; and,

FIG. 8 is a bottom plan view thereof.

1 Claim, 8 Drawing Sheets





FIG. 1

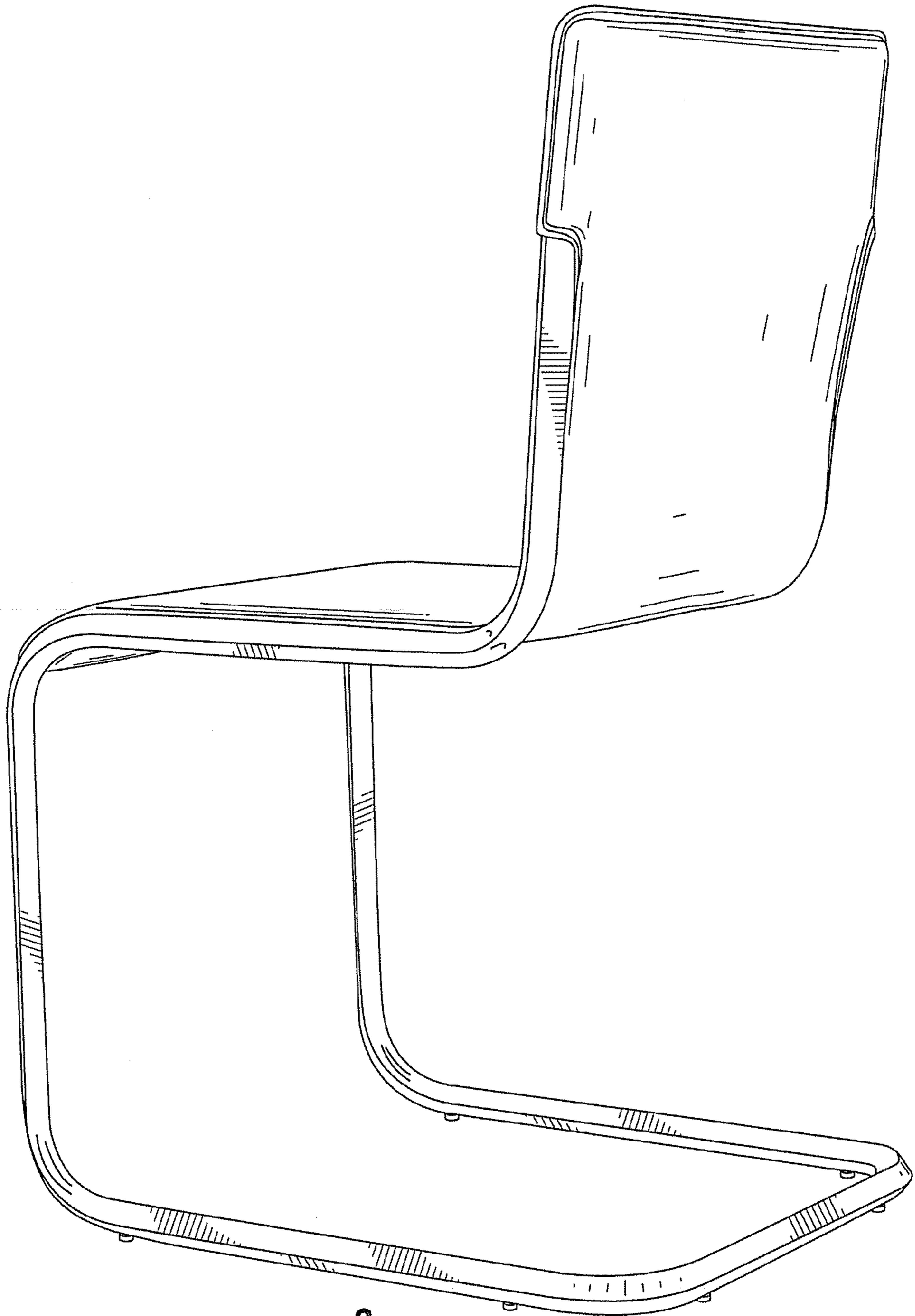


FIG. 2

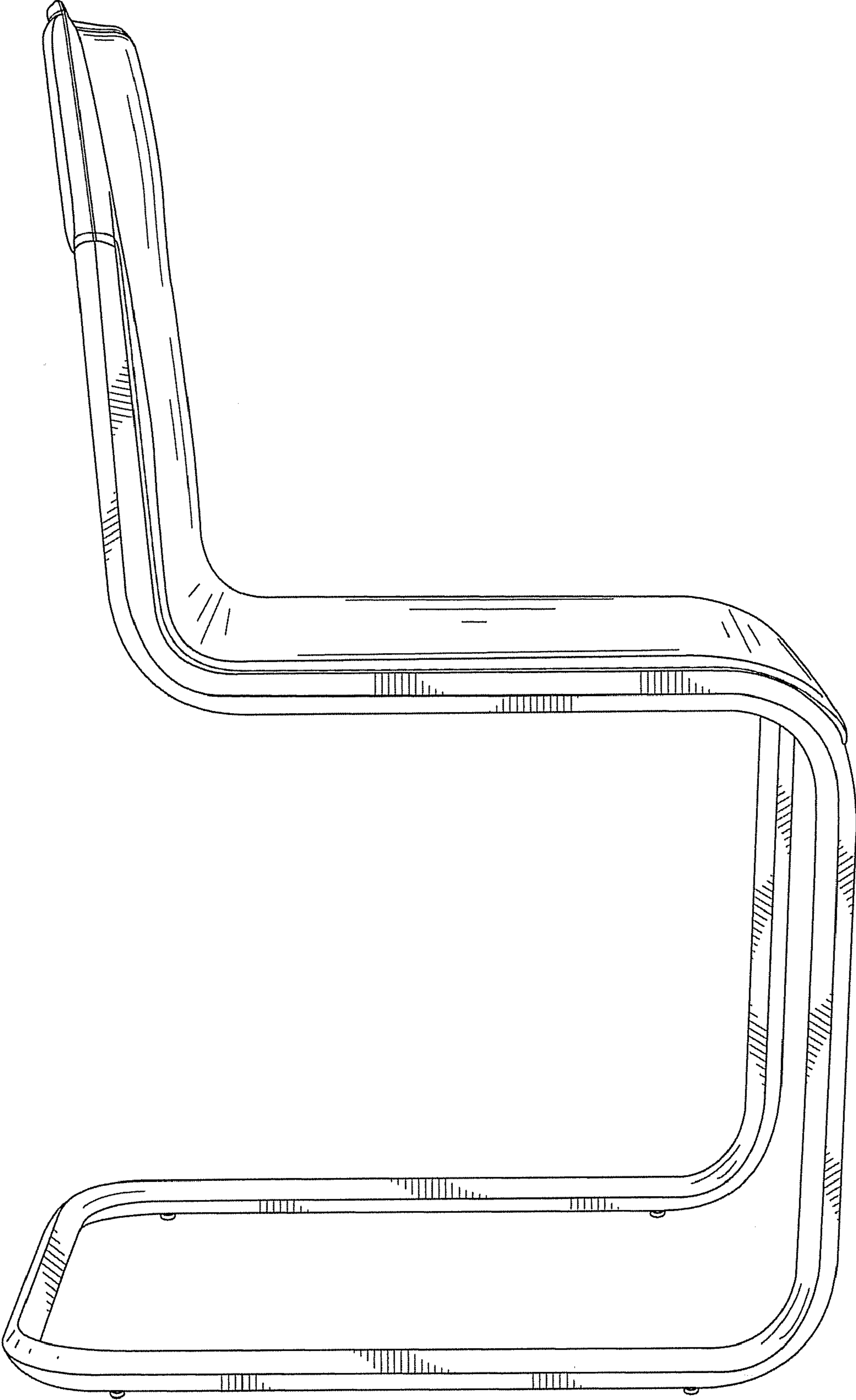


FIG. 3

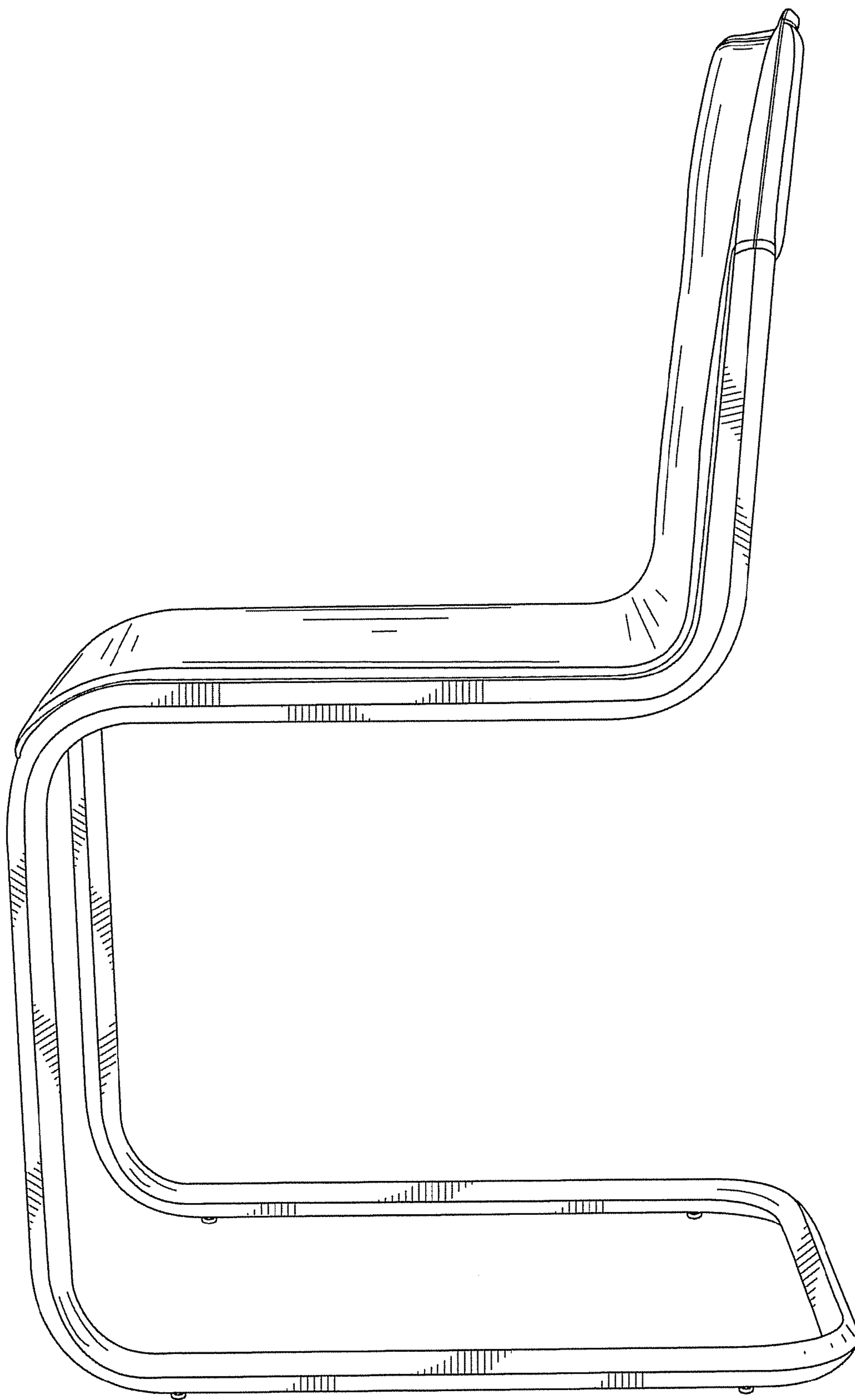


FIG. 4

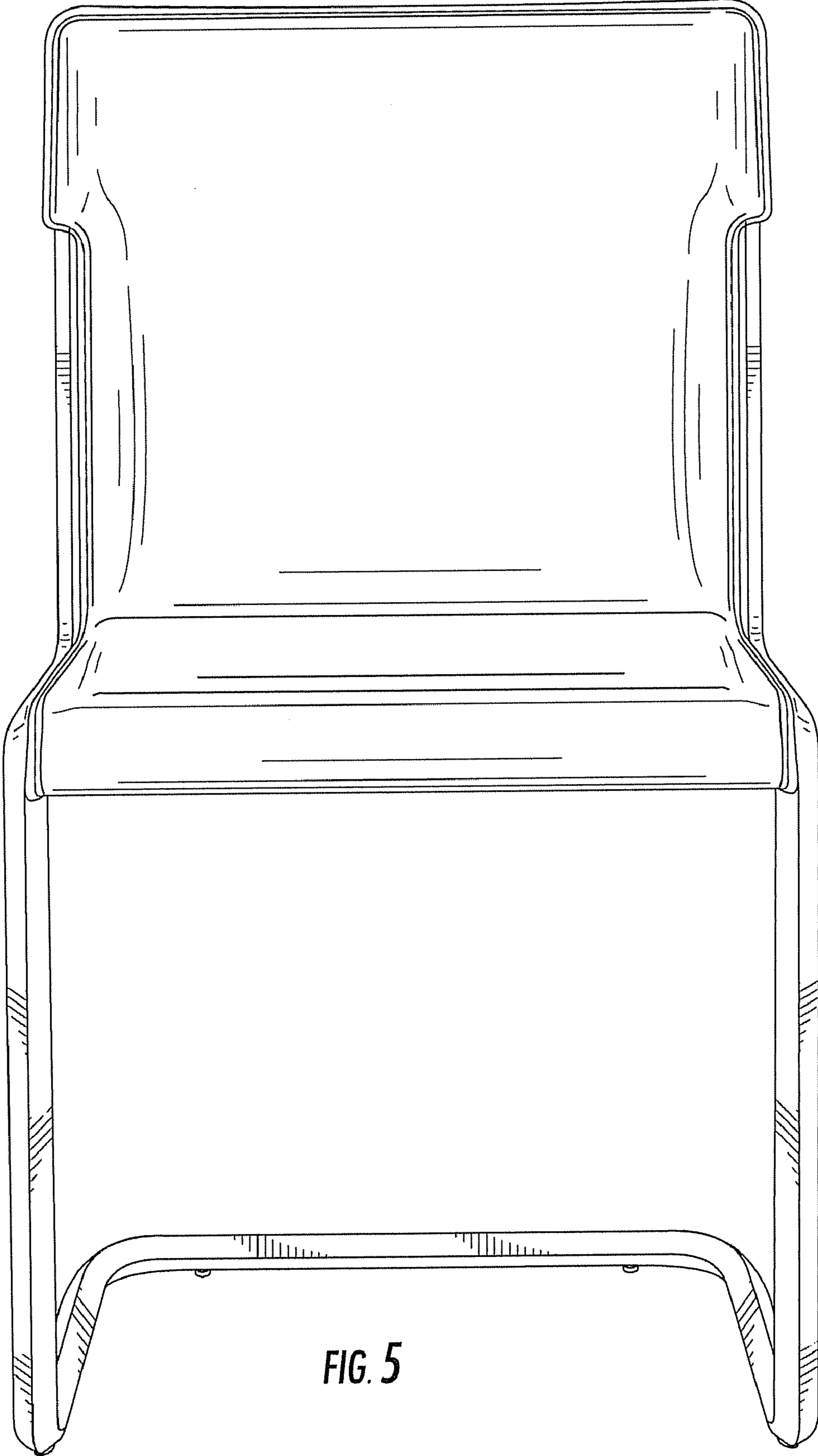


FIG. 5

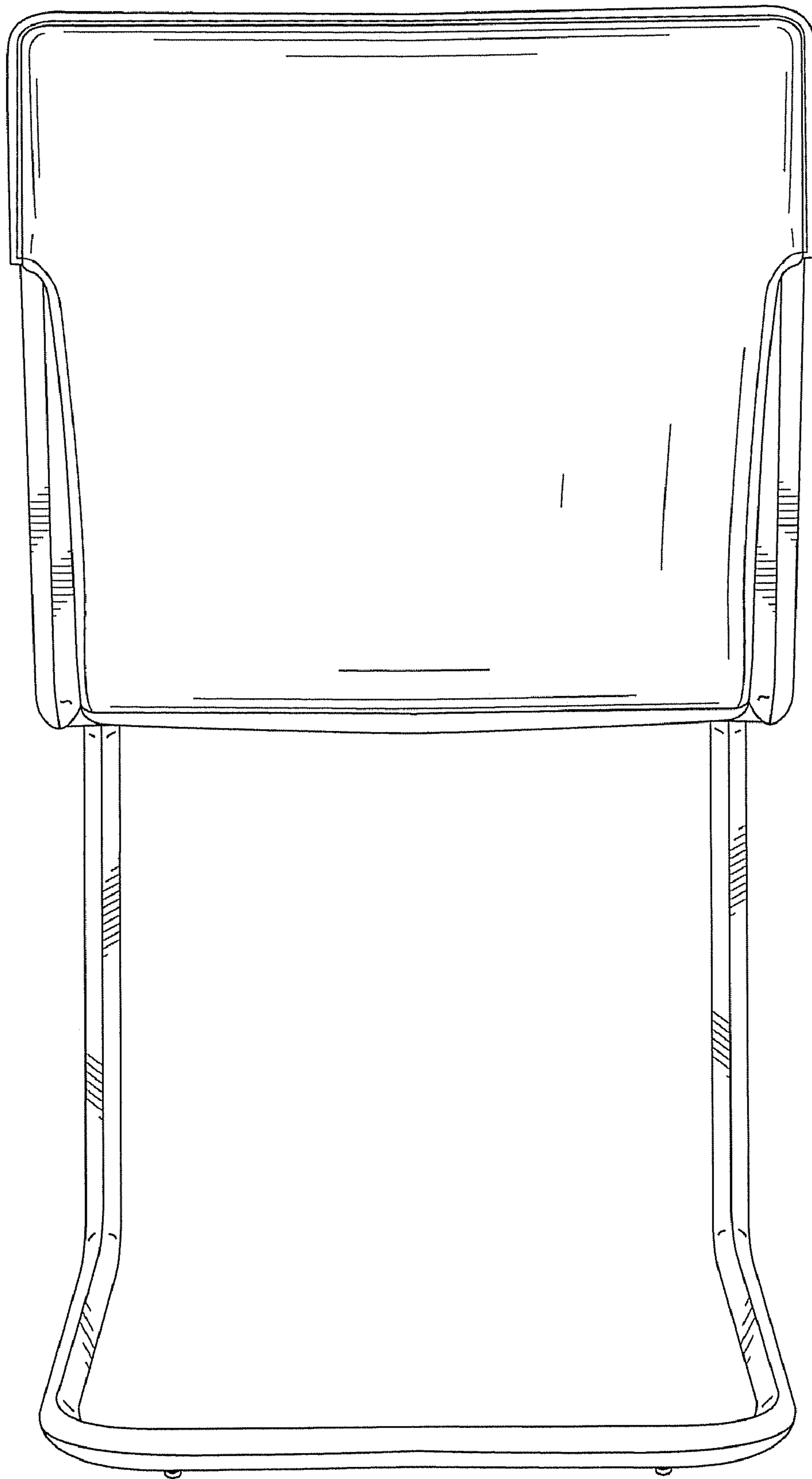


FIG. 6

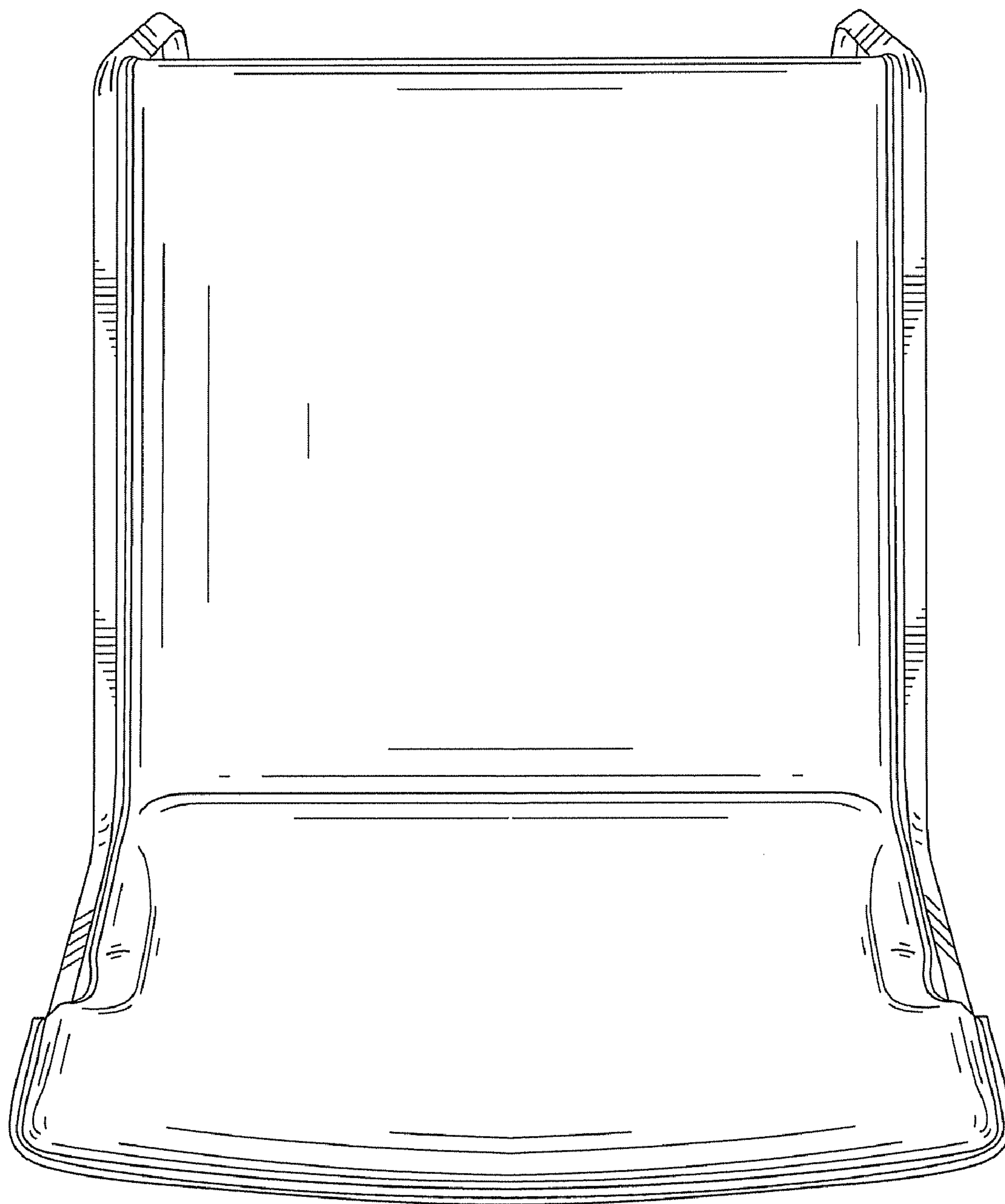


FIG. 7

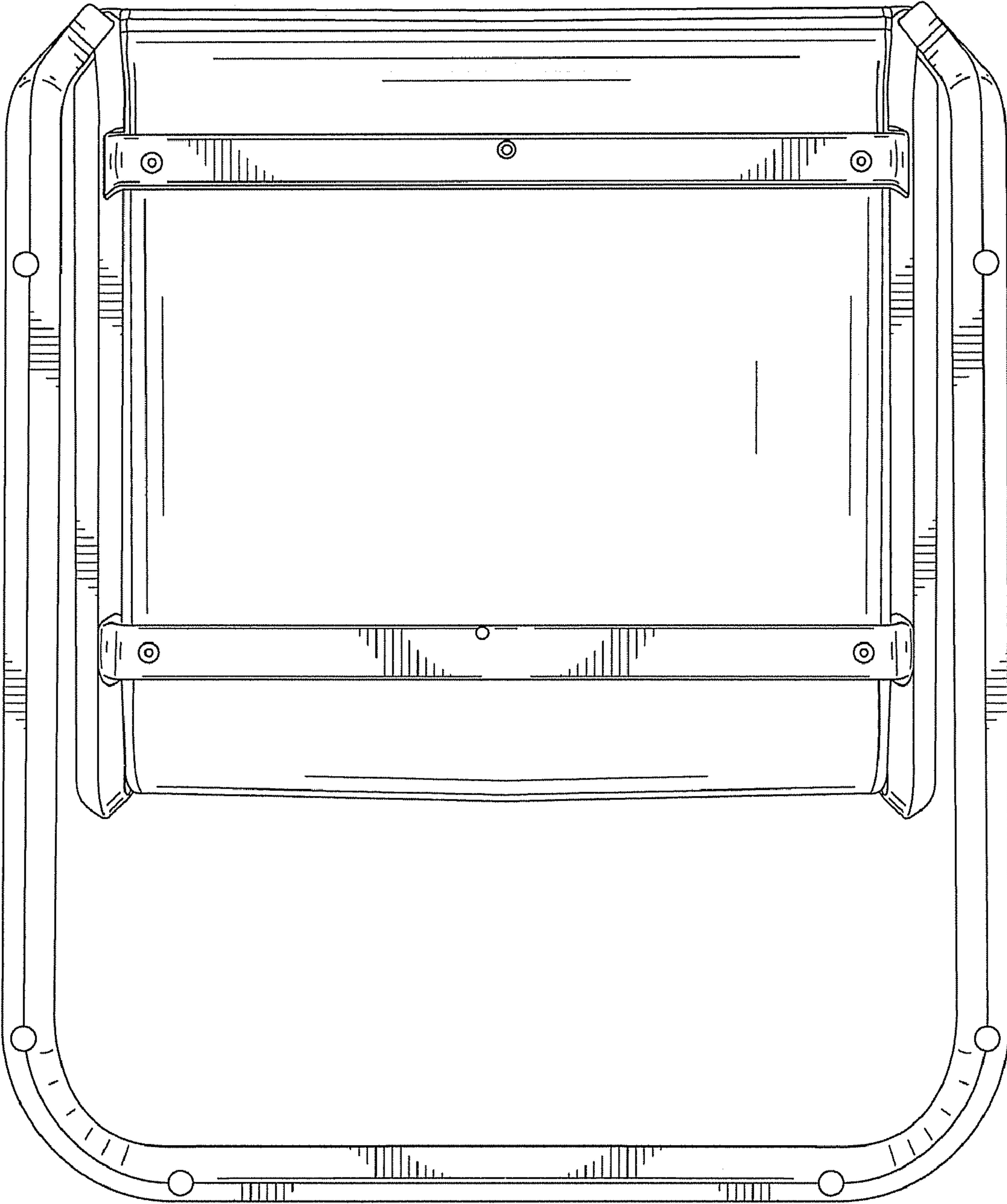


FIG. 8