



US00D576416S

(12) **United States Design Patent**
Su

(10) **Patent No.:** **US D576,416 S**
(45) **Date of Patent:** **** Sep. 9, 2008**

(54) **CHAIR**

(76) Inventor: **Ken Su**, 235 Chung-Ho Box 8-24, Taipei (TW)

(**) Term: **14 Years**

(21) Appl. No.: **29/299,708**

(22) Filed: **Jan. 2, 2008**

(51) **LOC (8) Cl.** **06-01**

(52) **U.S. Cl.** **D6/366**

(58) **Field of Classification Search** D6/334-336, D6/364, 365, 366, 367, 368, 369, 374, 379, D6/380, 500-502; 297/391, 393, 396, 411.2, 297/411.27, 452.18, 452.2, 452.3, 452.21, 297/452.29, 452.48, 452.56, 452.64
See application file for complete search history.

(56) **References Cited**

U.S. PATENT DOCUMENTS

D393,953 S * 5/1998 Diramarian D6/366
D394,962 S * 6/1998 Diramarian D6/366
D460,869 S * 7/2002 Koepke et al. D6/366
D461,661 S * 8/2002 Koepke et al. D6/500

D462,187 S * 9/2002 Koepke et al. D6/366
D545,582 S * 7/2007 Wu D6/366
D548,994 S * 8/2007 Mao et al. D6/366
D549,976 S * 9/2007 Lin D6/366
D552,857 S * 10/2007 Wang D6/366
D557,024 S * 12/2007 Chen D6/366

* cited by examiner

Primary Examiner—Mimosa De

(57) **CLAIM**

The ornamental design for a chair, as shown and described.

DESCRIPTION

FIG. 1 is a perspective view of a chair showing my new design;

FIG. 2 is a front elevational view thereof;

FIG. 3 is rear elevational view thereof;

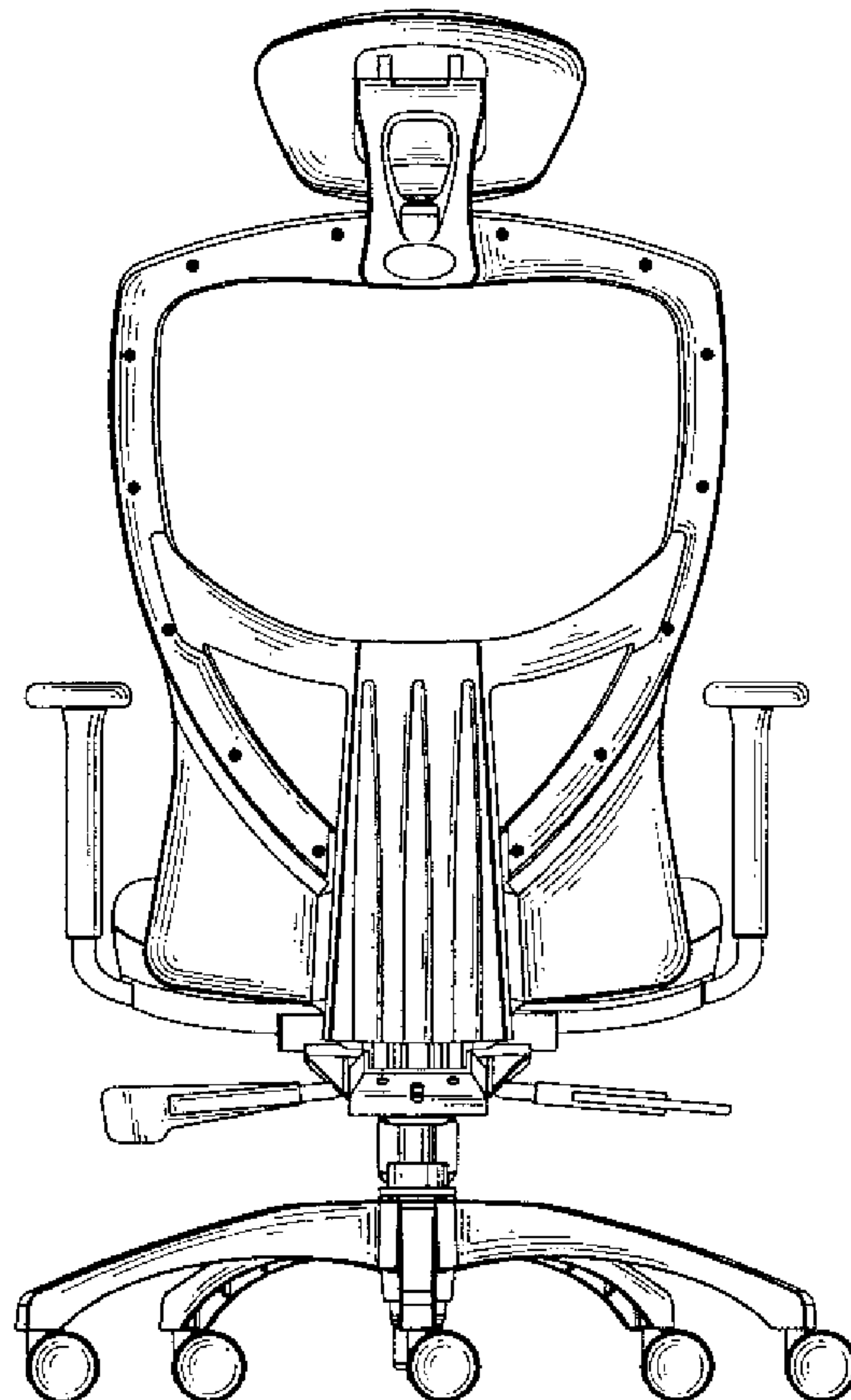
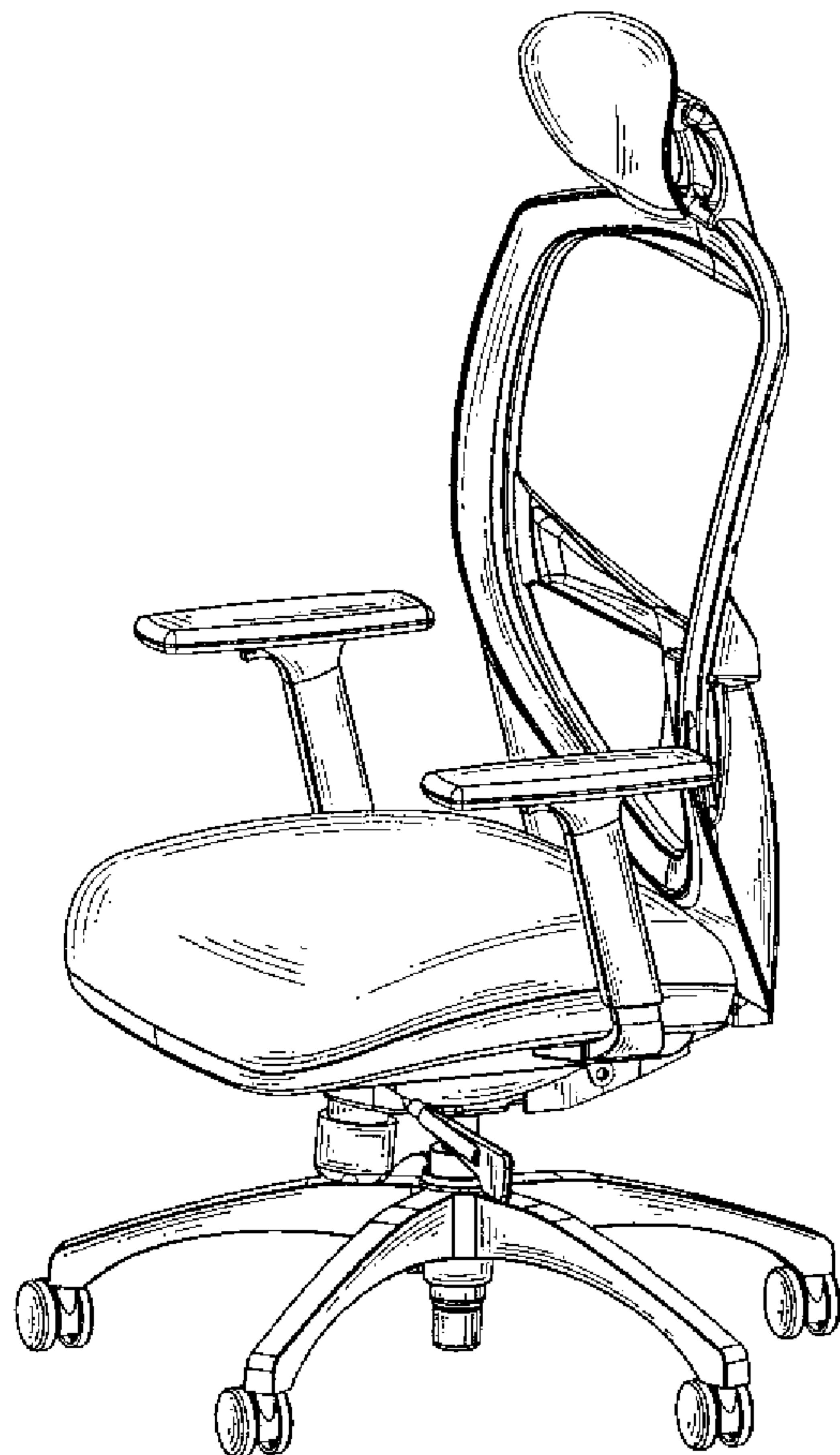
FIG. 4 is a left side view thereof;

FIG. 5 is a right side view thereof;

FIG. 6 is a top plan view thereof; and,

FIG. 7 is a bottom plan view thereof.

1 Claim, 7 Drawing Sheets



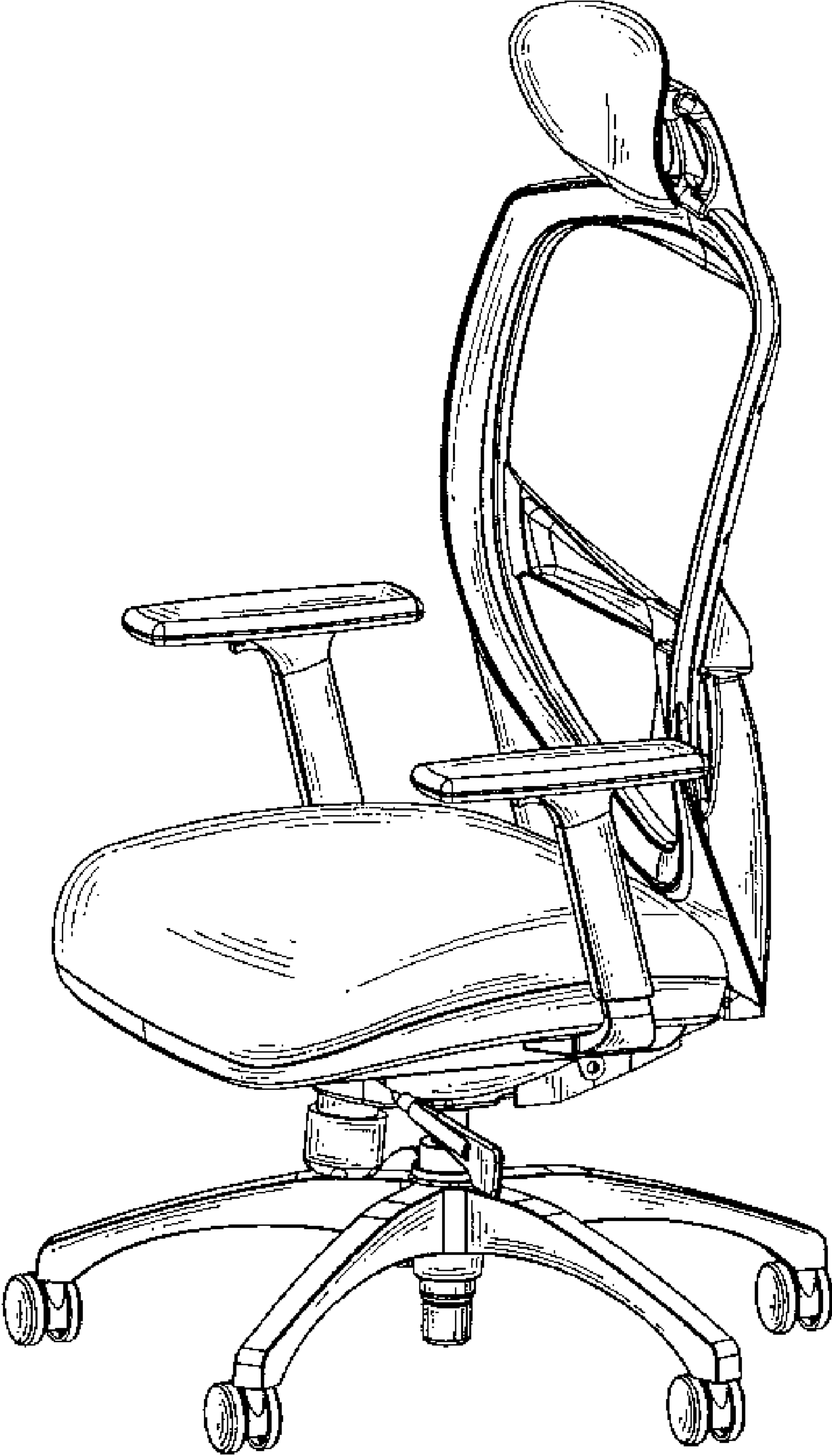


FIG 1

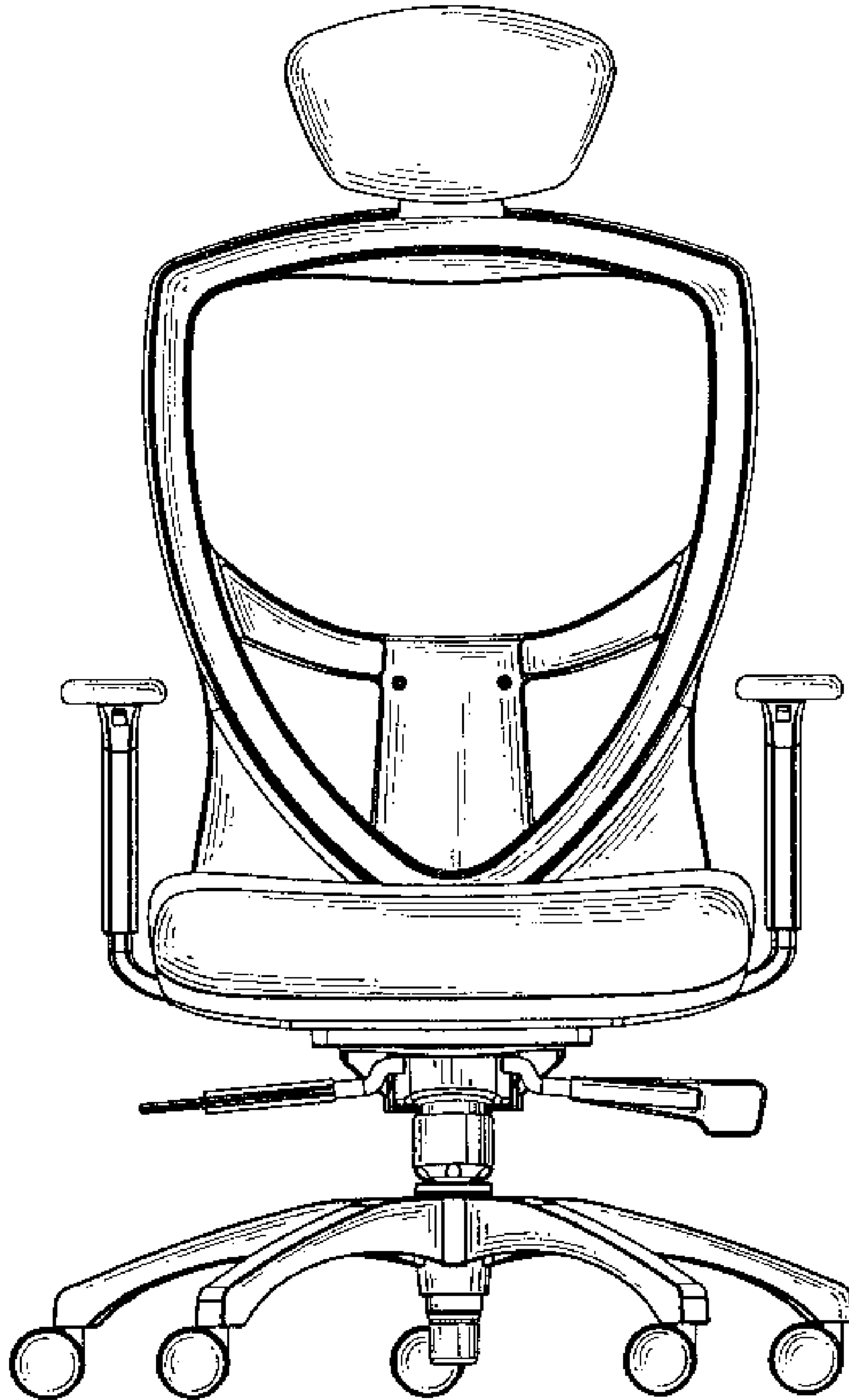


FIG 2

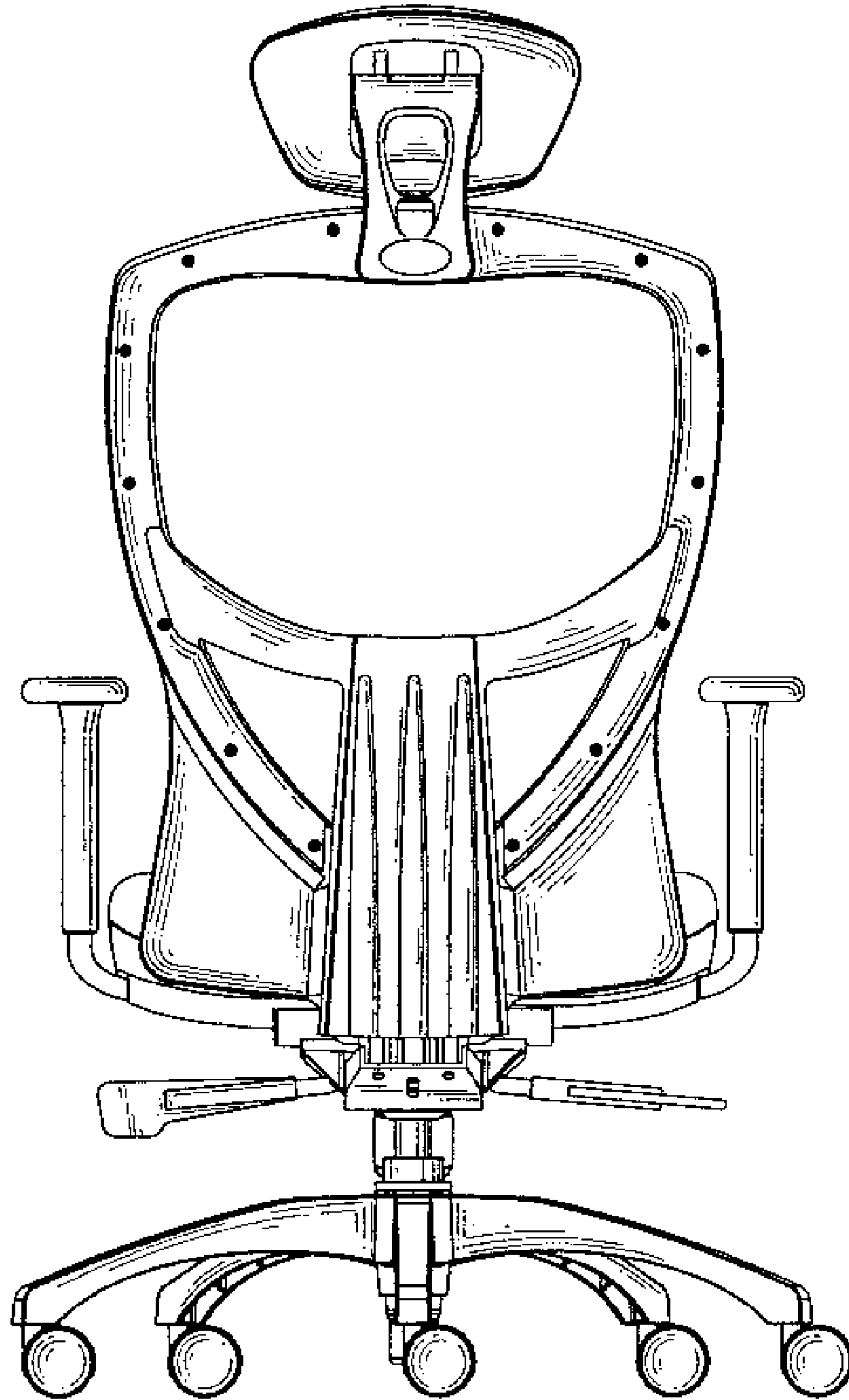


FIG 3

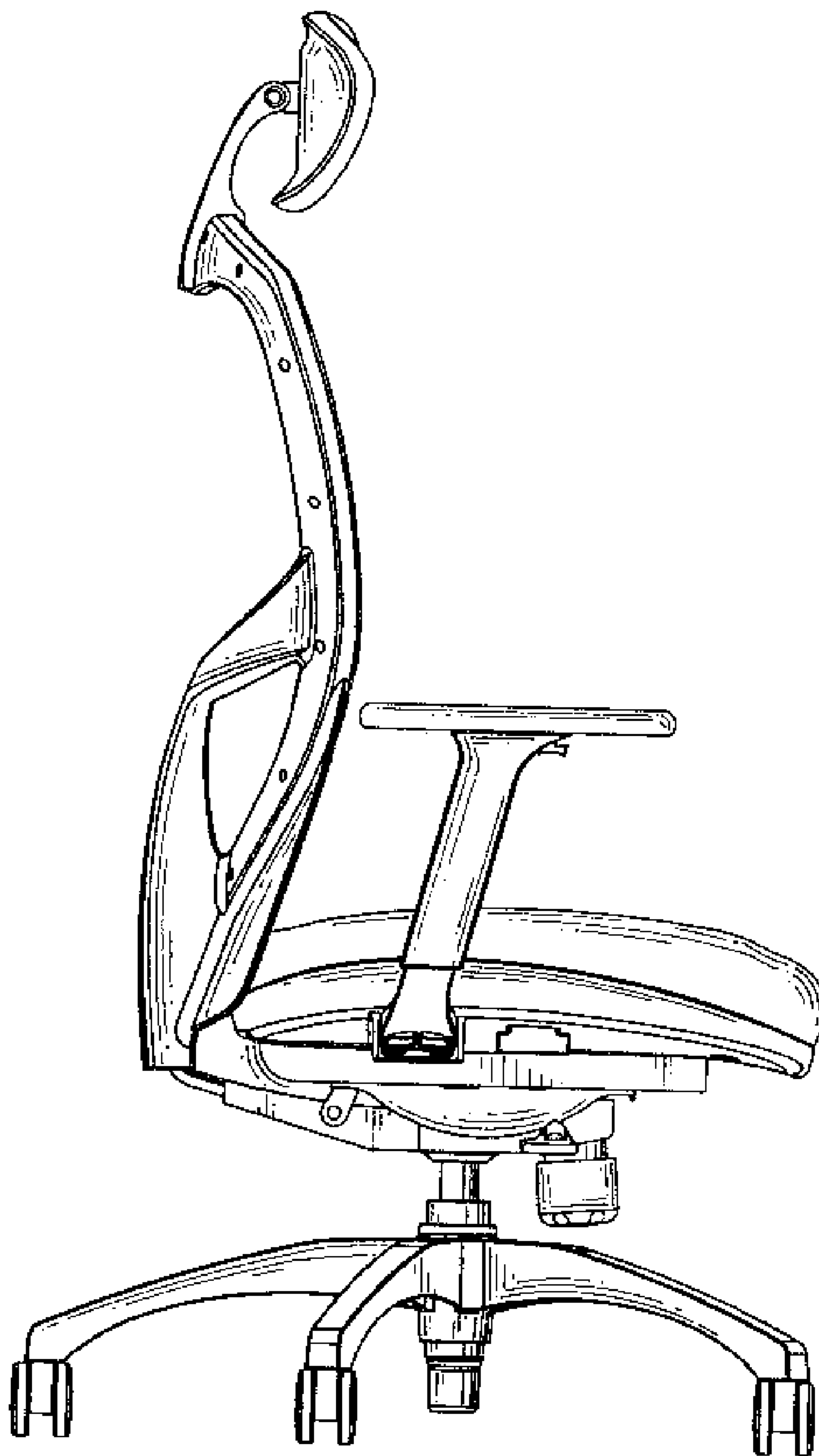


FIG 4

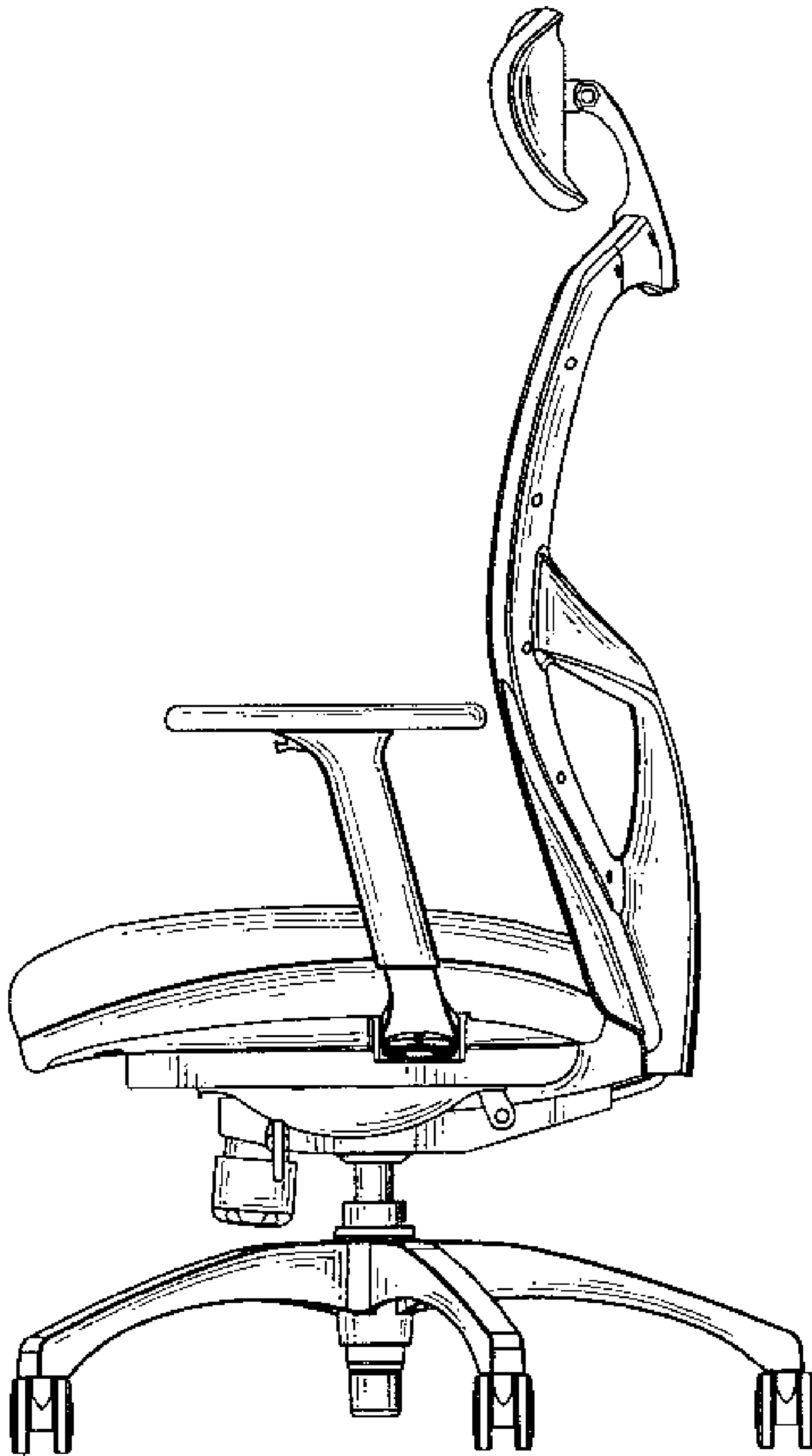


FIG 5

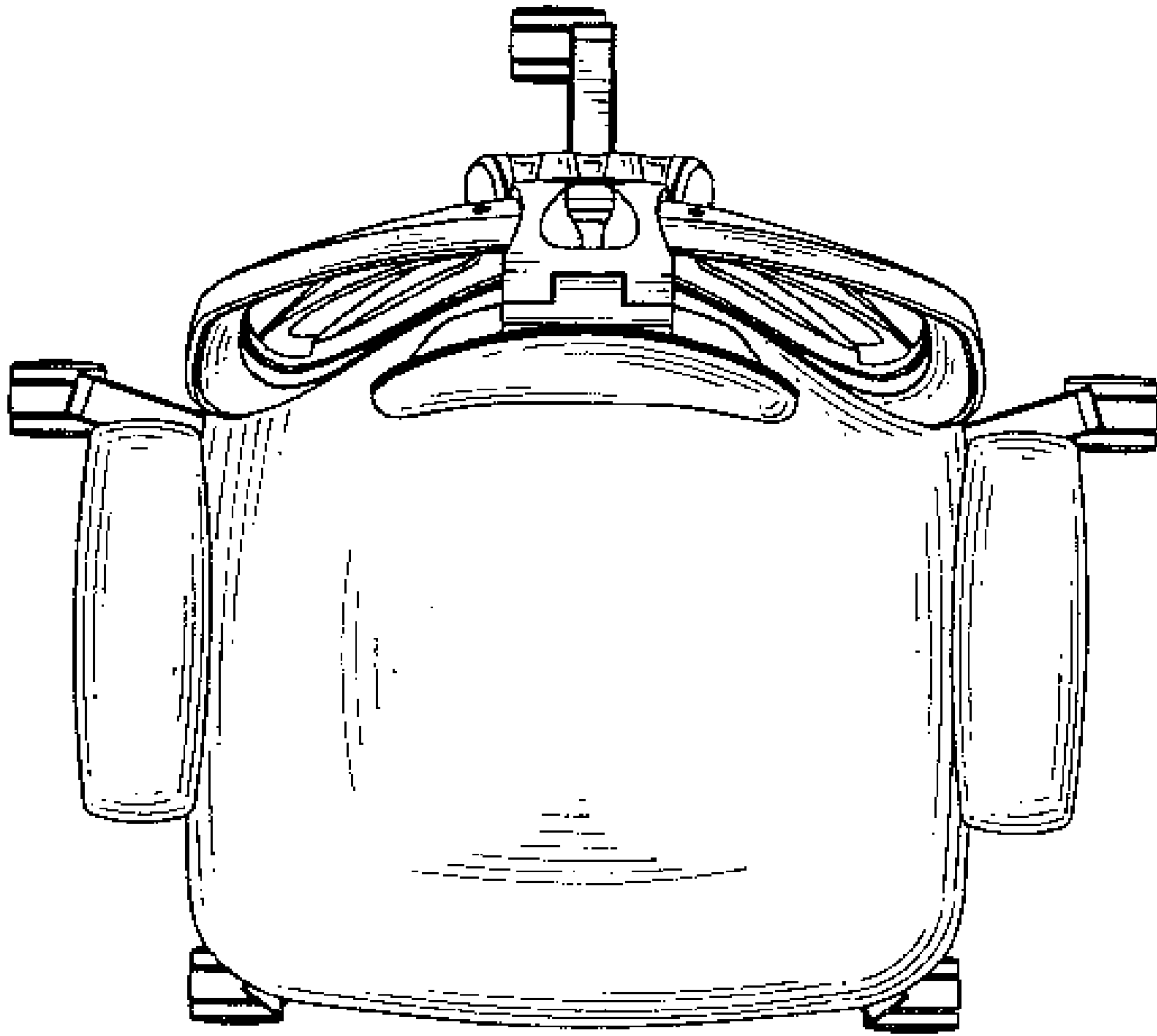


FIG 6

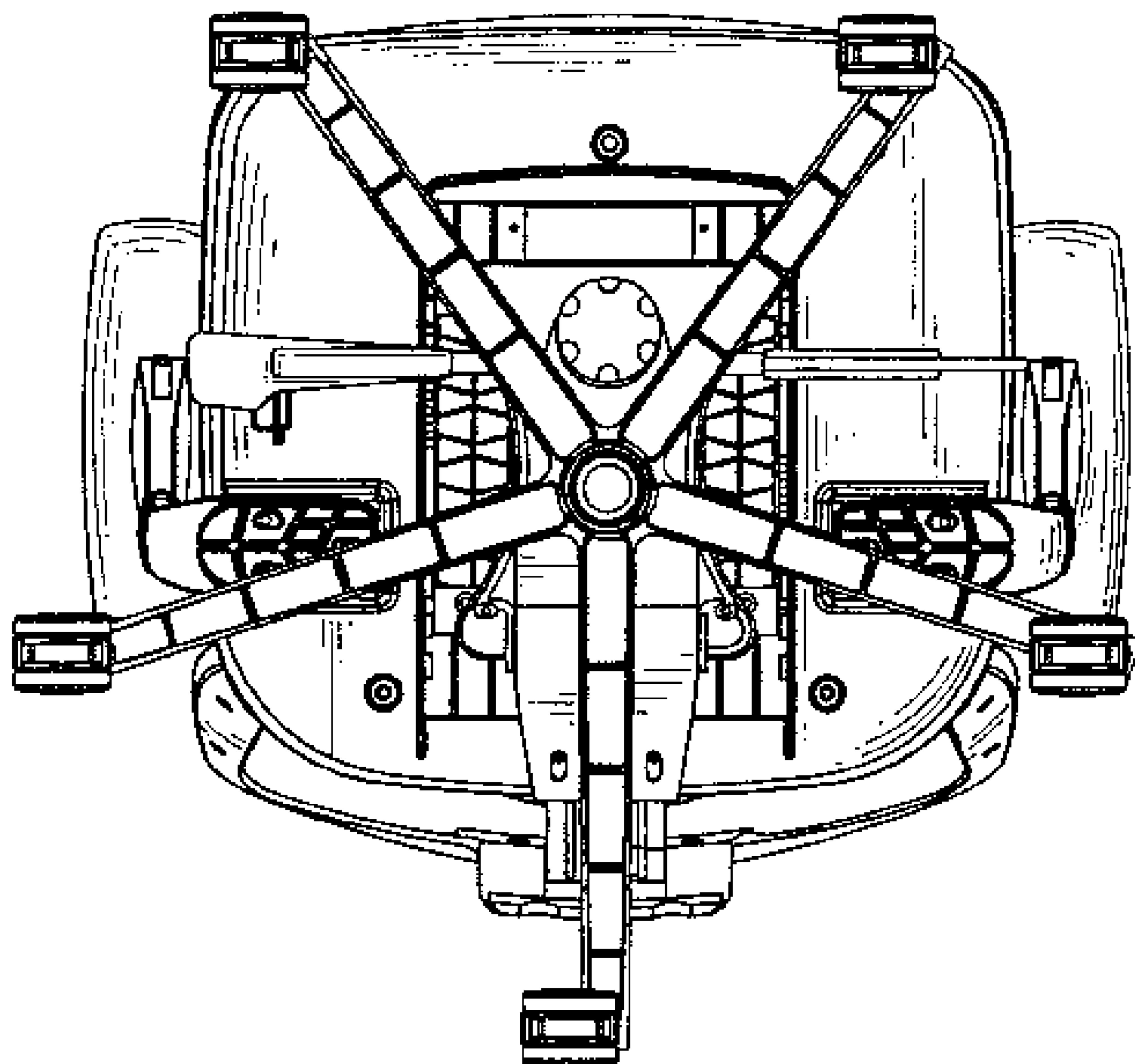


FIG 7