



US00D576414S

(12) **United States Design Patent**
Chen

(10) **Patent No.:** **US D576,414 S**

(45) **Date of Patent:** **** Sep. 9, 2008**

(54) **REVOLVING CHAIR**

(76) **Inventor:** **Su-Ming Chen**, No. 566, Fong Lin 2nd Rd., Ta Liao Hsiang, Kaohsiung (TW)

(**) **Term:** **14 Years**

(21) **Appl. No.:** **29/284,205**

(22) **Filed:** **Sep. 4, 2007**

(51) **LOC (8) Cl.** **06-01**

(52) **U.S. Cl.** **D6/360**

(58) **Field of Classification Search** D6/334-336,
D6/349, 360, 364, 365, 366, 367, 374, 376,
D6/379, 380, 500-502; 297/344.12, 344.18,
297/344.21, 423.38, 445.1, 451.2, 461
See application file for complete search history.

(56) **References Cited**

U.S. PATENT DOCUMENTS

2,659,413	A *	11/1953	Cramer	297/423.38
D190,905	S *	7/1961	Hamilton	D6/335
D195,770	S *	7/1963	Isola	D6/367
D227,953	S *	7/1973	Prizlow	D6/366
D313,896	S *	1/1991	Kaye	D6/365
D381,823	S *	8/1997	Ellsworth et al.	D6/360
D468,926	S *	1/2003	Bongaerts	D6/380

D478,223	S *	8/2003	Luthersson	D6/376
D485,081	S *	1/2004	Bongaerts	D6/360
D530,932	S *	10/2006	Hieshetter	D6/360
2003/0151291	A1 *	8/2003	Lin et al.	297/423.38

* cited by examiner

Primary Examiner—Mimosa De

(74) *Attorney, Agent, or Firm*—Leong C. Lei

(57) **CLAIM**

The ornamental design for a revolving chair, as shown and described.

DESCRIPTION

FIG. 1 is a perspective view of a revolving chair showing my new design;

FIG. 2 is a front elevational view thereof;

FIG. 3 is a rear elevational view thereof;

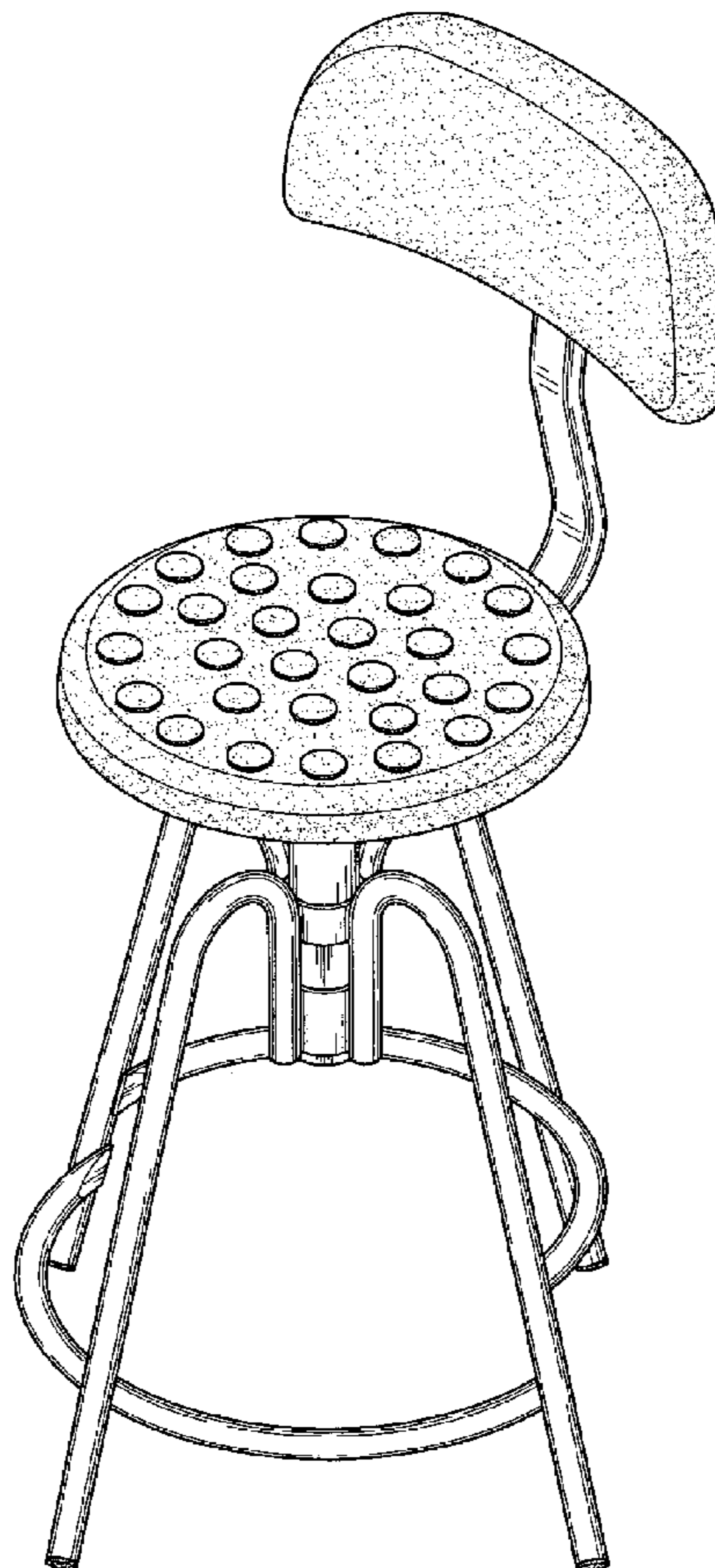
FIG. 4 is a left side elevational view thereof;

FIG. 5 is a right side elevational view thereof;

FIG. 6 is a top plan view thereof; and,

FIG. 7 is a bottom plan view thereof.

1 Claim, 4 Drawing Sheets



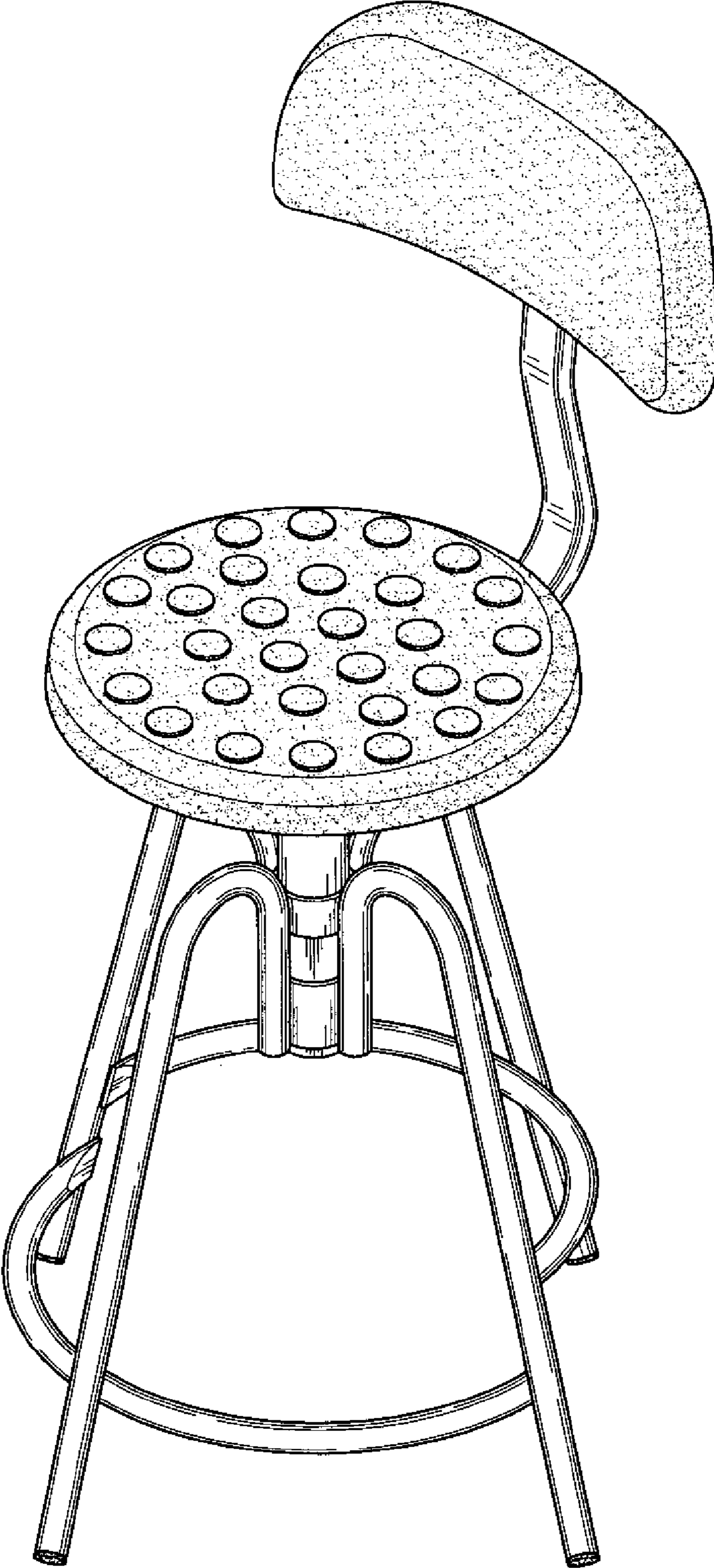


FIG.1

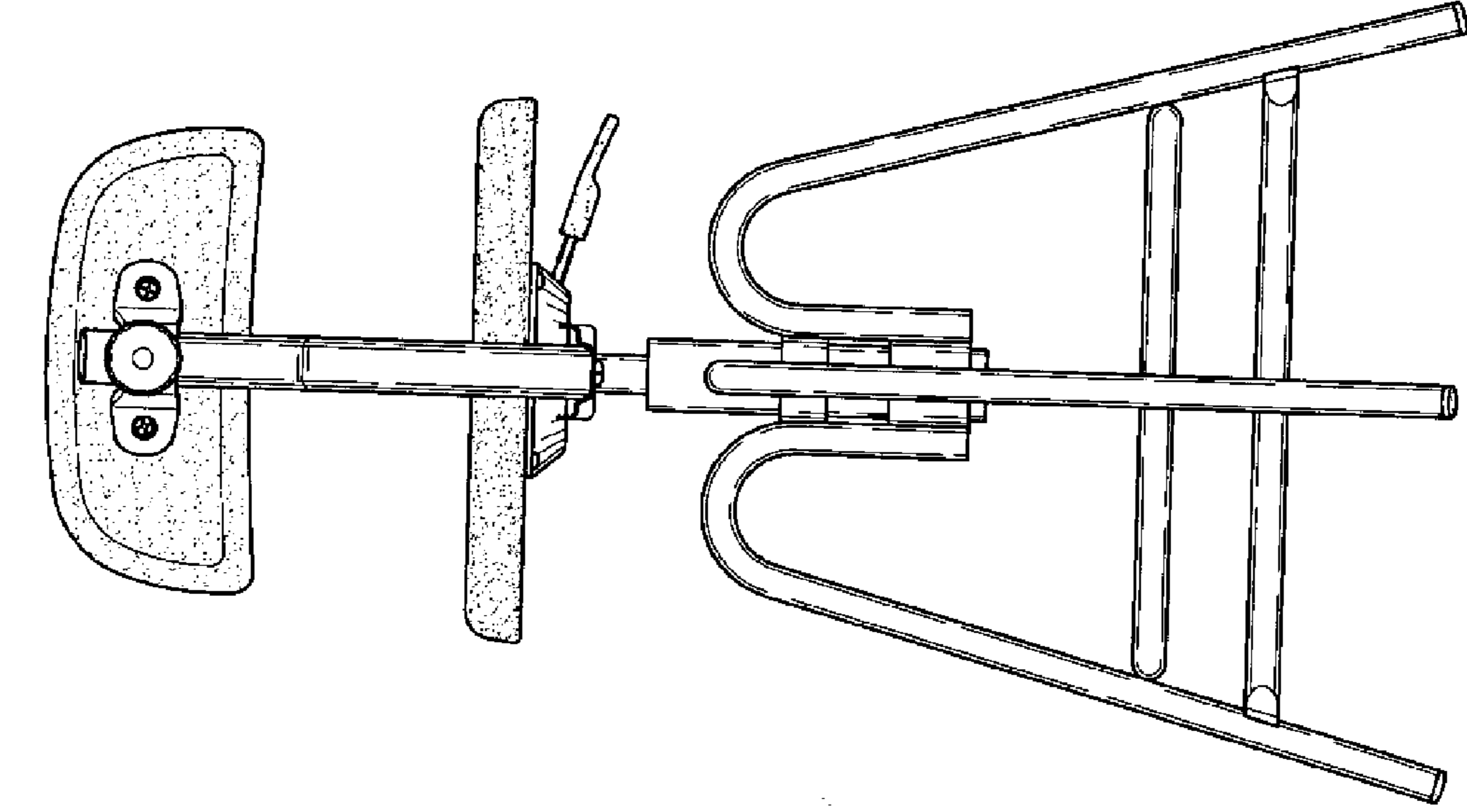


FIG. 2

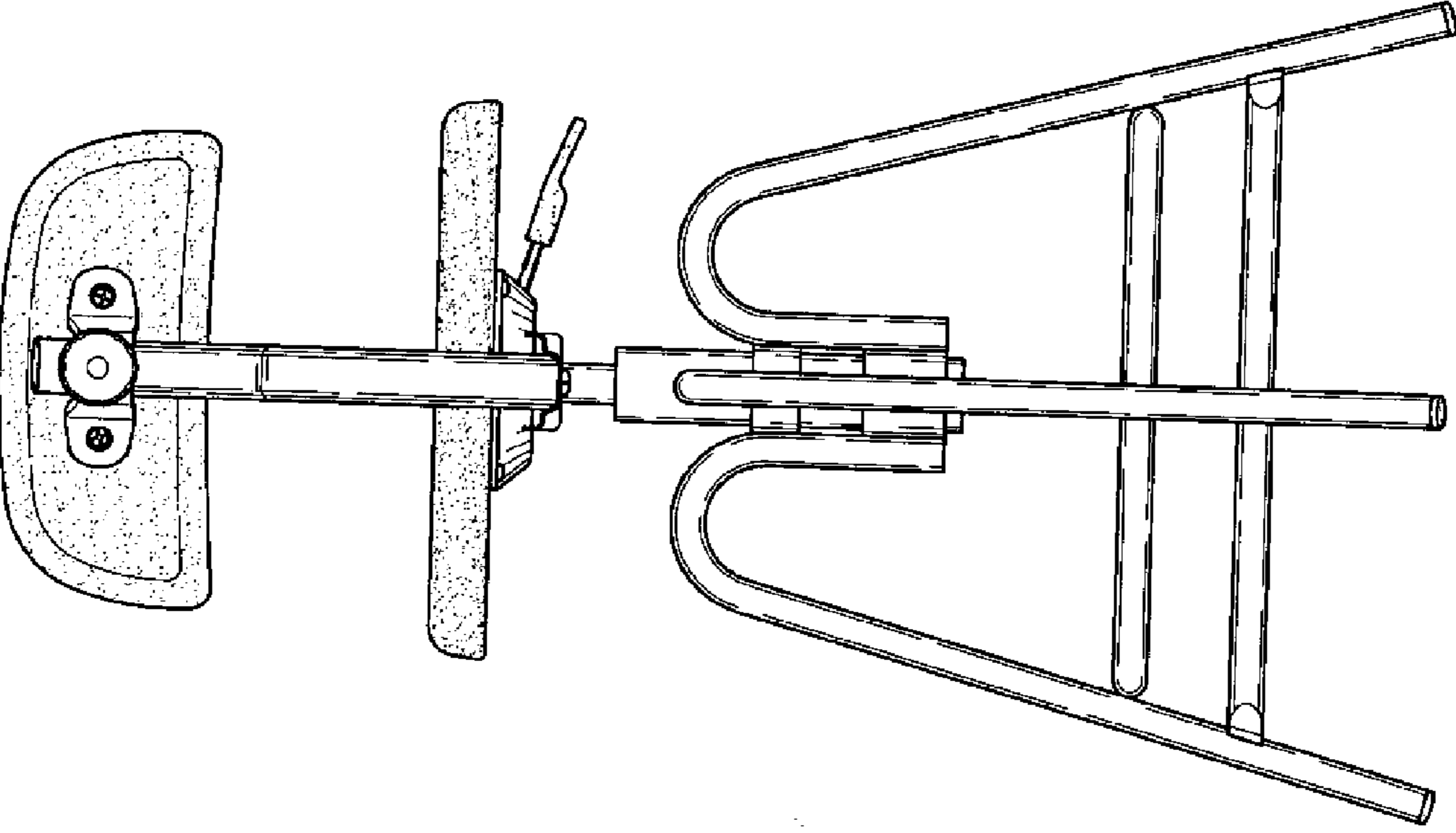


FIG. 3

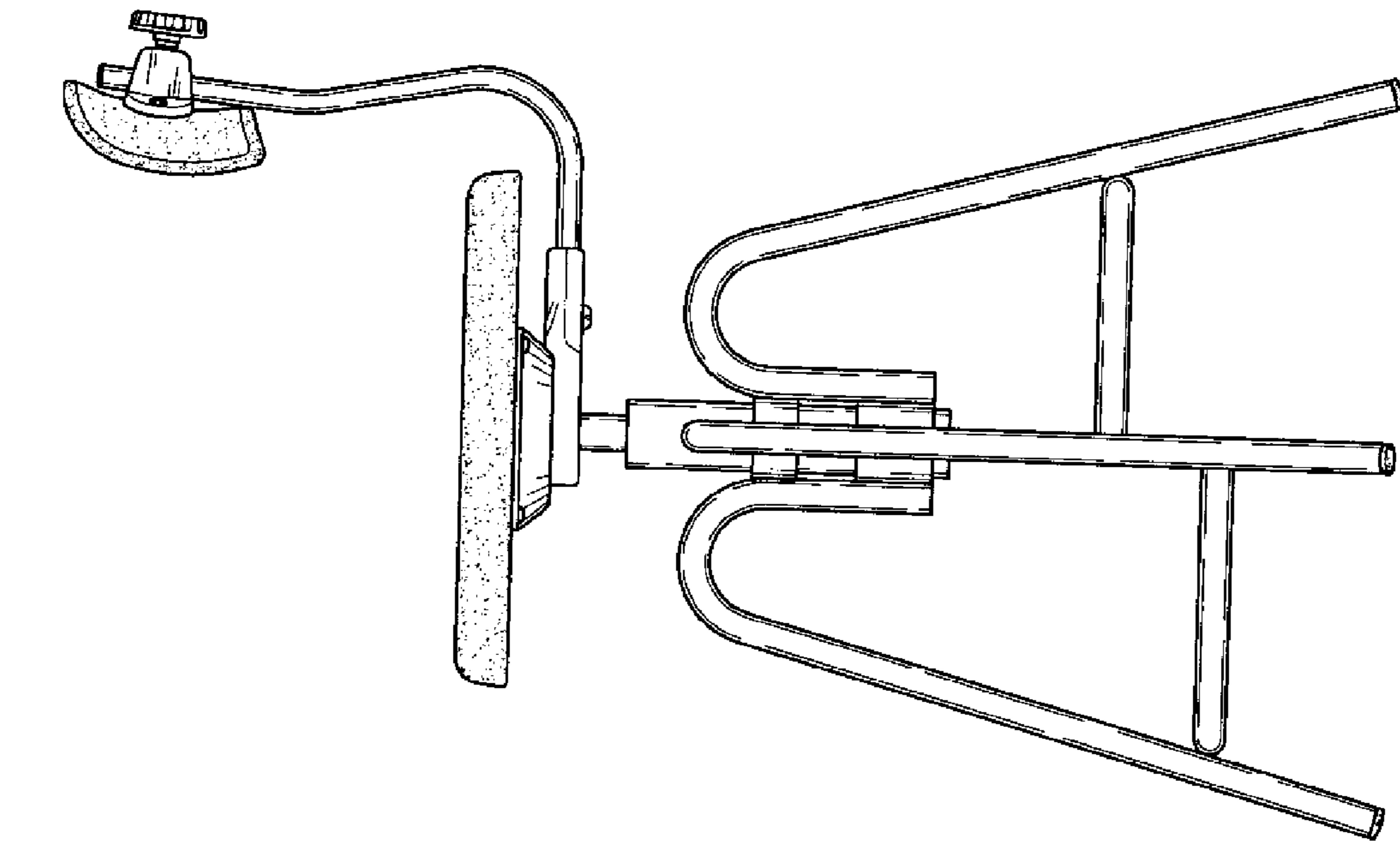


FIG. 4

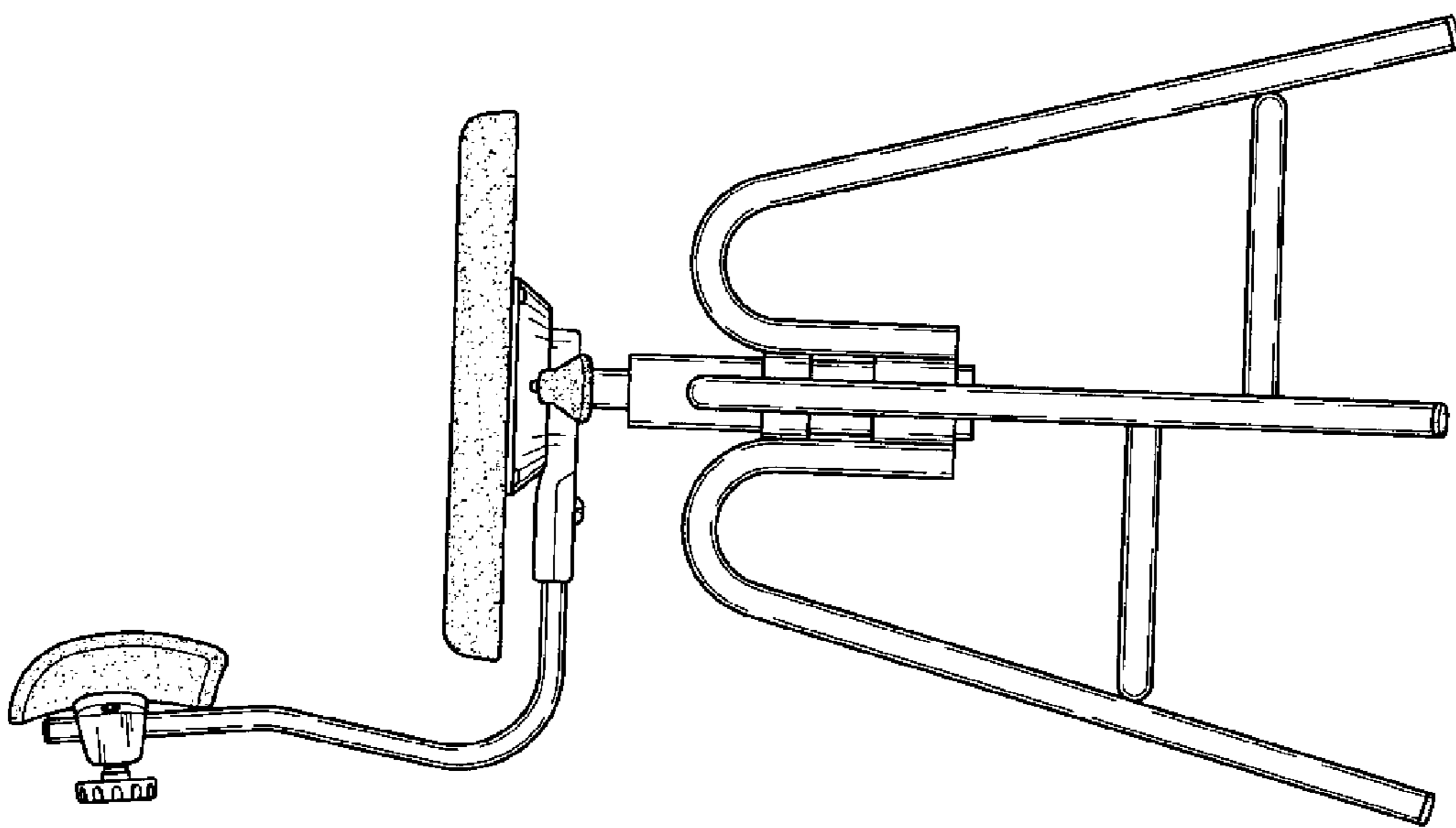


FIG. 5

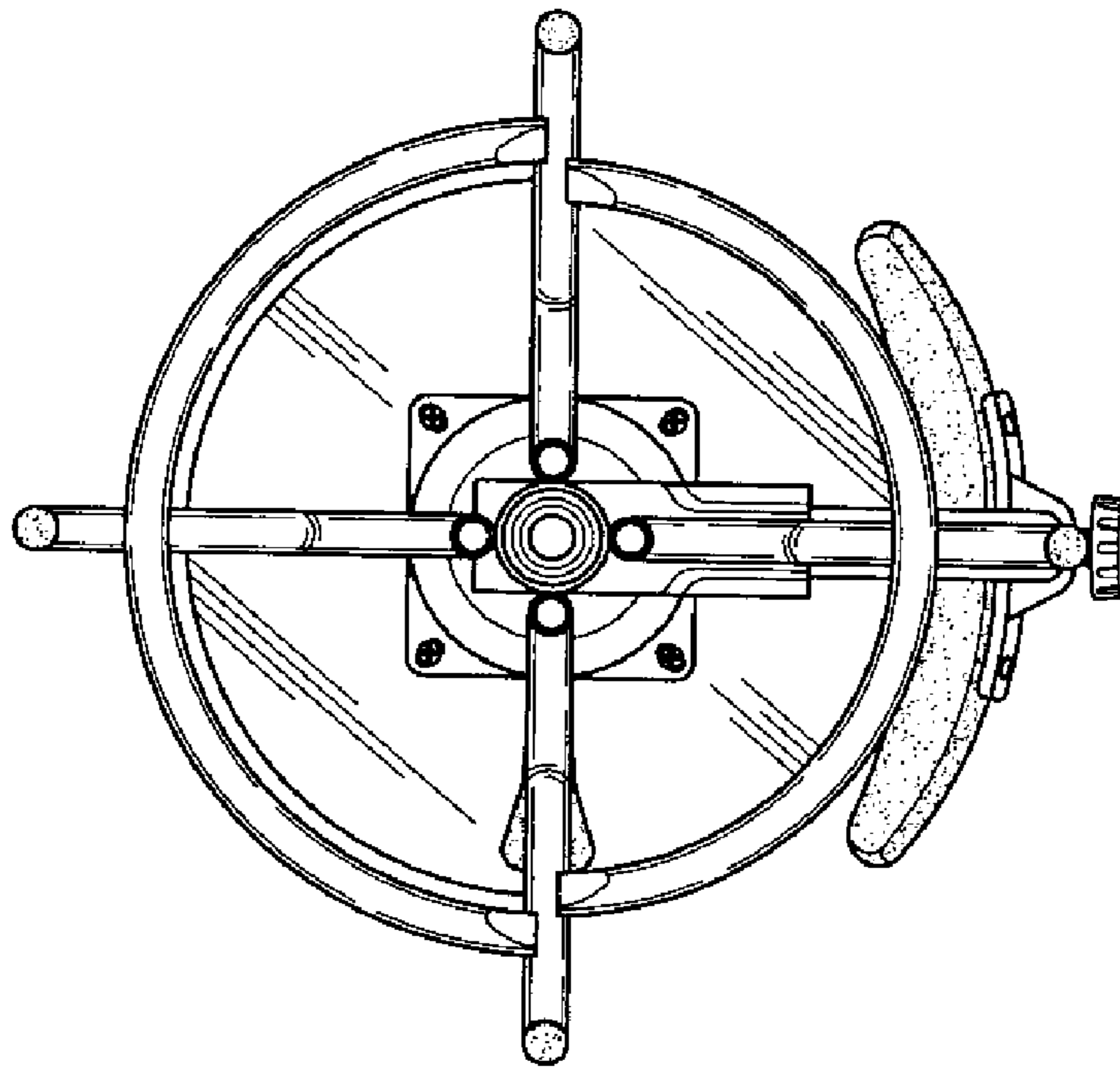


FIG. 7

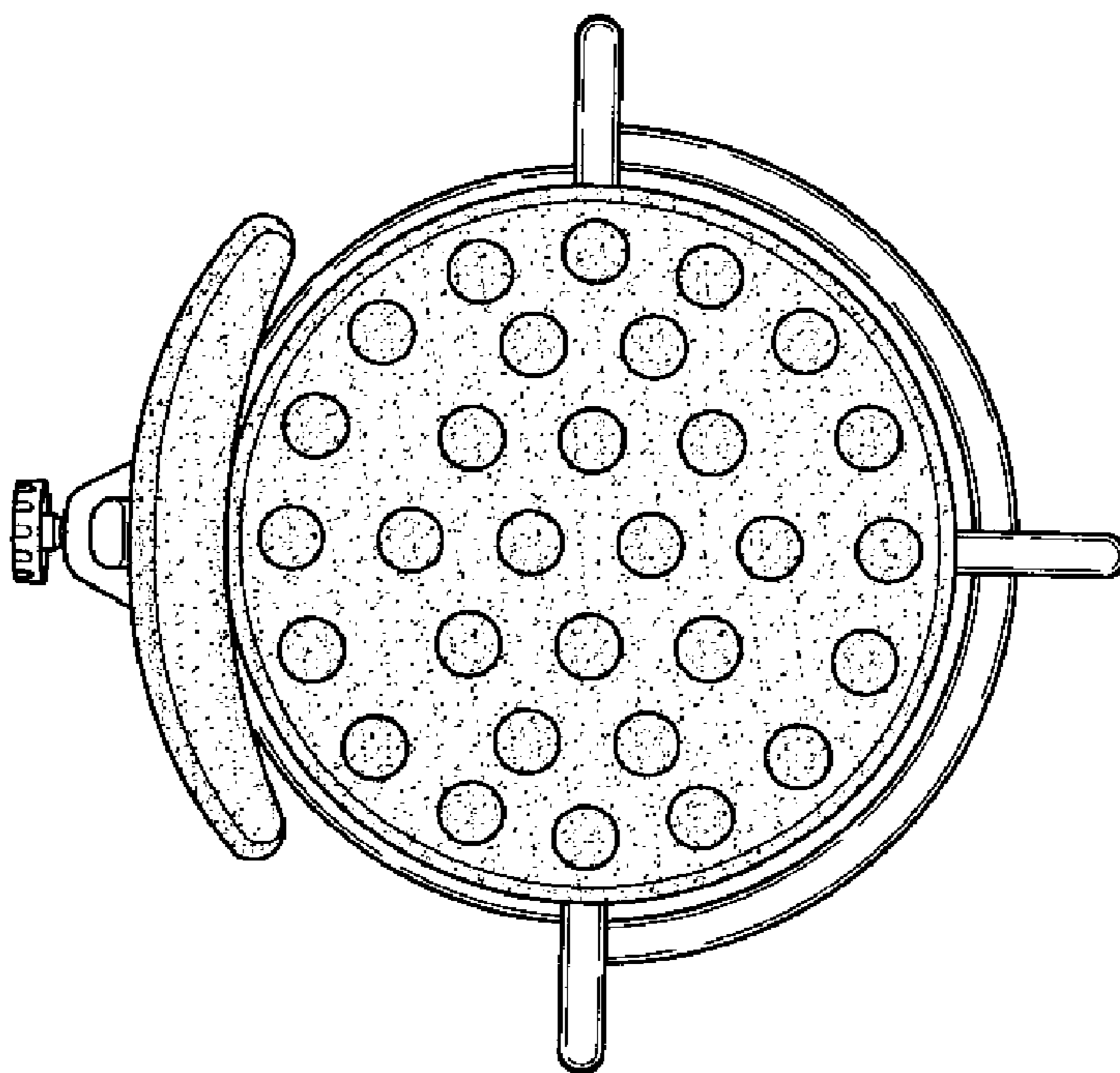


FIG. 6