



US00D576411S

(12) **United States Design Patent**
Wang

(10) **Patent No.:** **US D576,411 S**

(45) **Date of Patent:** **** Sep. 9, 2008**

(54) **HIGH CHAIR FOR INFANT**

D488,868 S * 4/2004 Lundrigan D24/200
D493,624 S * 8/2004 Chen D6/339

(76) Inventor: **Kun Wang**, P.O. Box 697, Fongyuan
City, Taichung County (TW) 420

* cited by examiner

(**) Term: **14 Years**

Primary Examiner—Sandra Snapp

(21) Appl. No.: **29/290,843**

(57) **CLAIM**

(22) Filed: **Jan. 22, 2008**

The ornamental design for a high chair for infant, as shown.

(51) **LOC (8) Cl.** **06-01**

(52) **U.S. Cl.** **D6/339**

(58) **Field of Classification Search** D6/333,
D6/335, 339, 491, 499–502; D12/129; D21/412,
D21/416, 419; 280/30, 31; 5/93.1, 93.2,
5/94, 98.1, 99.1, 101, 102, 655; 297/183.1,
297/183.2, 183.3, 183.4, 184.14, 184.15,
297/250.1, 255, 256.15, 256.16

See application file for complete search history.

DESCRIPTION

FIG. 1 is a perspective view of a high chair for infant showing
my new design;

FIG. 2 is a right side elevational view thereof;

FIG. 3 is a top plan view thereof;

FIG. 4 is a front elevational view thereof;

FIG. 5 is a bottom plan view thereof;

FIG. 6 is a left side elevational view thereof; and,

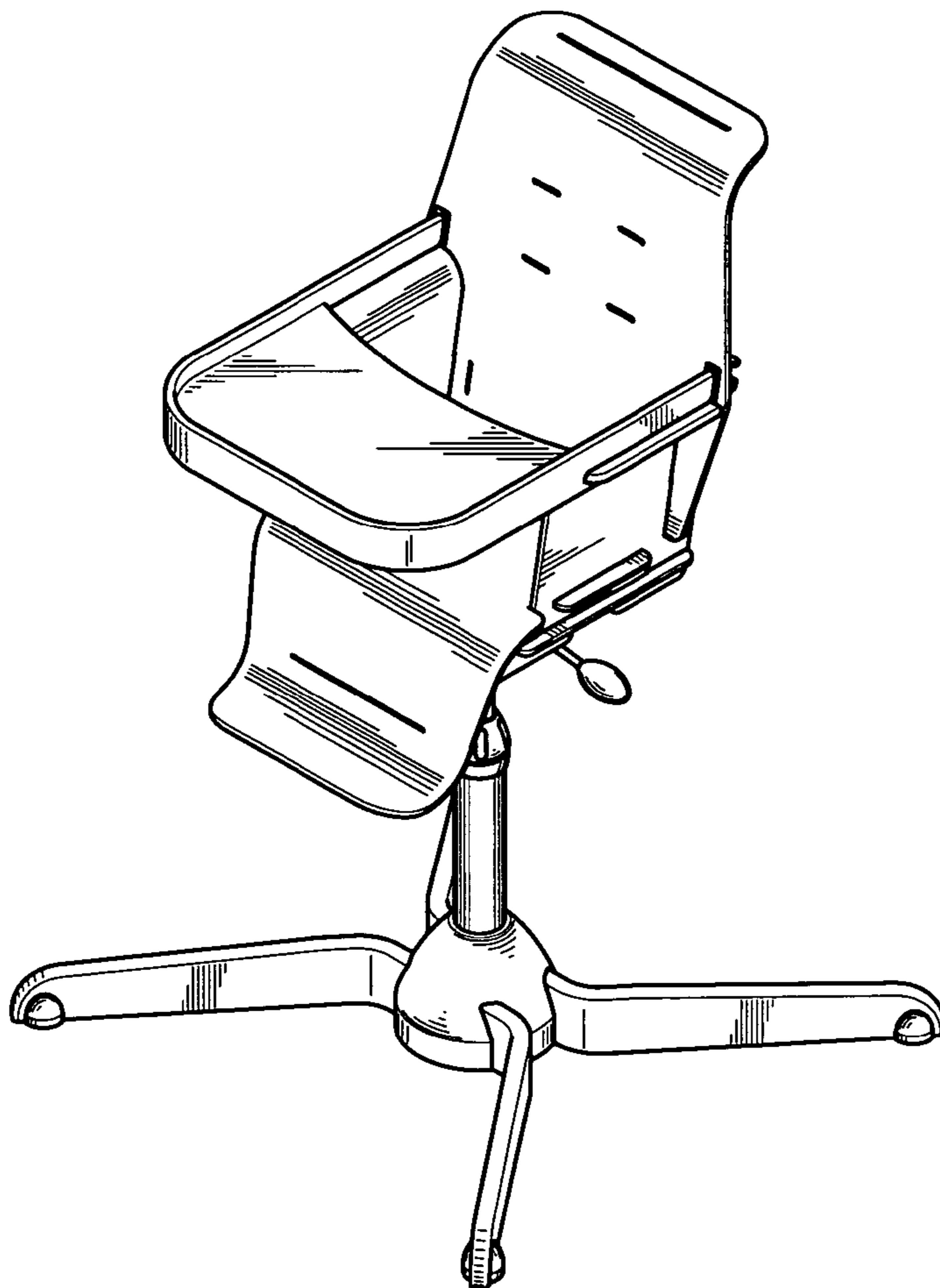
FIG. 7 is a rear elevational view thereof.

(56) **References Cited**

U.S. PATENT DOCUMENTS

D483,958 S * 12/2003 Chen D6/339

1 Claim, 7 Drawing Sheets



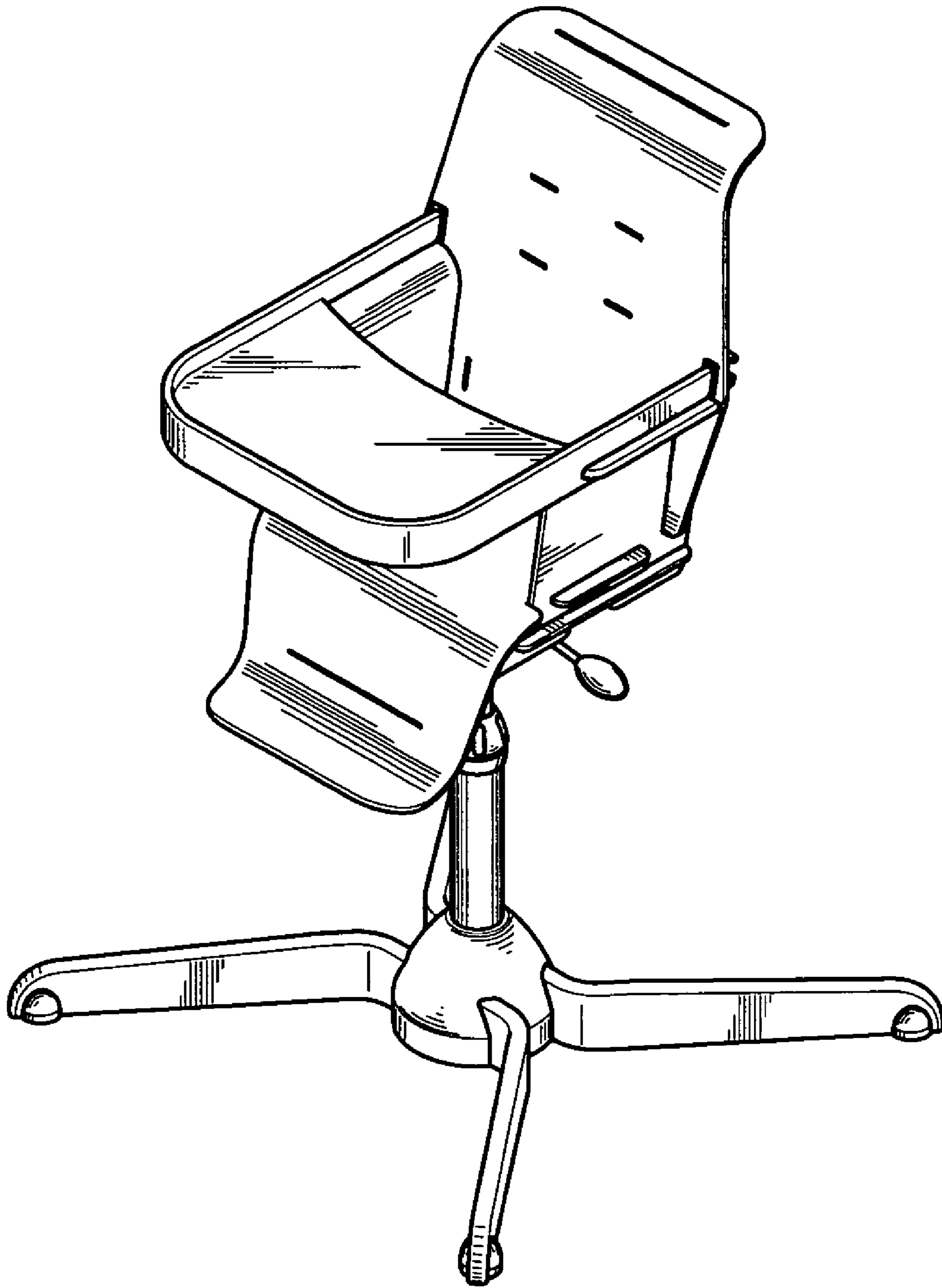


FIG. 1

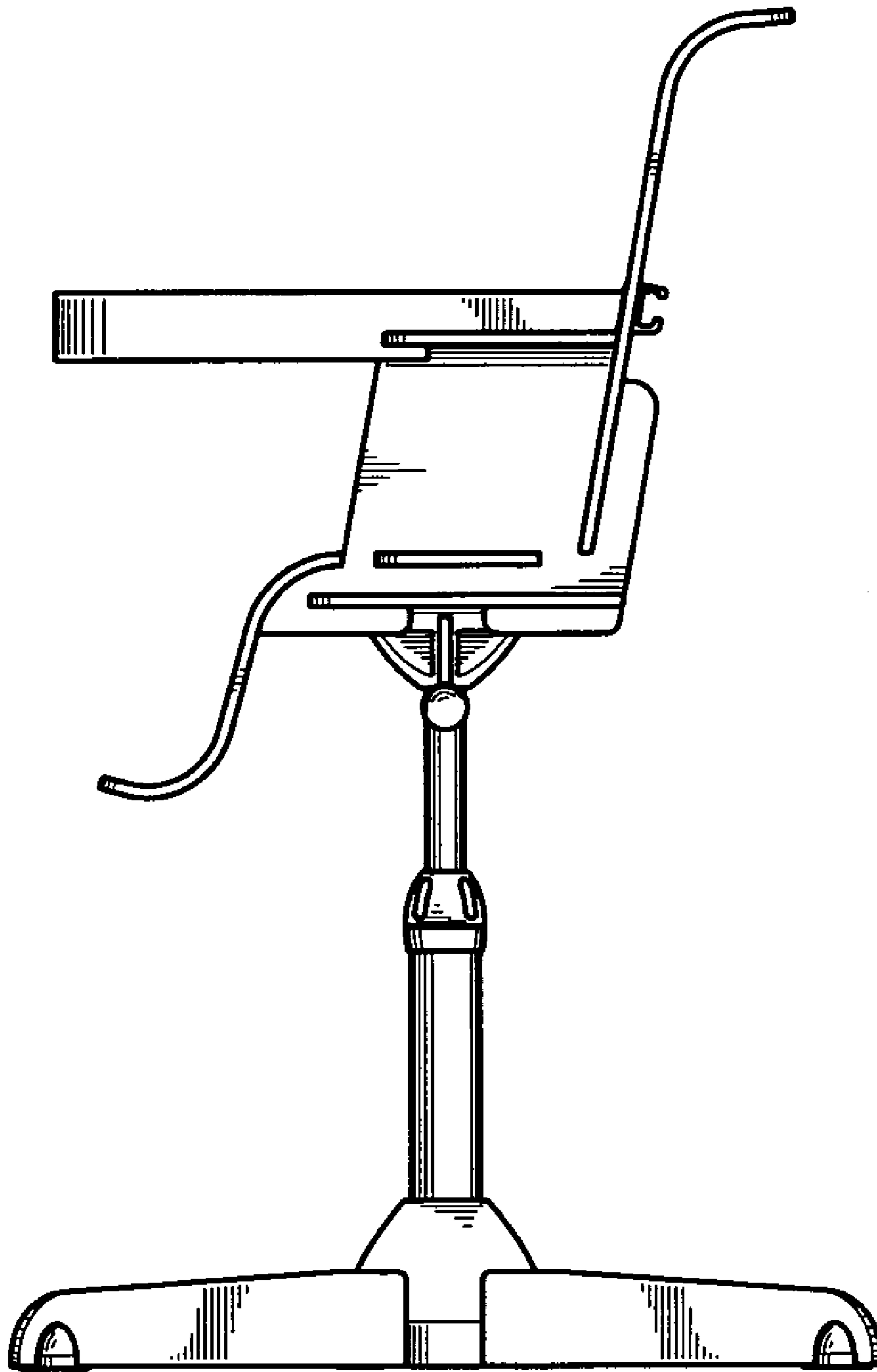


FIG. 2

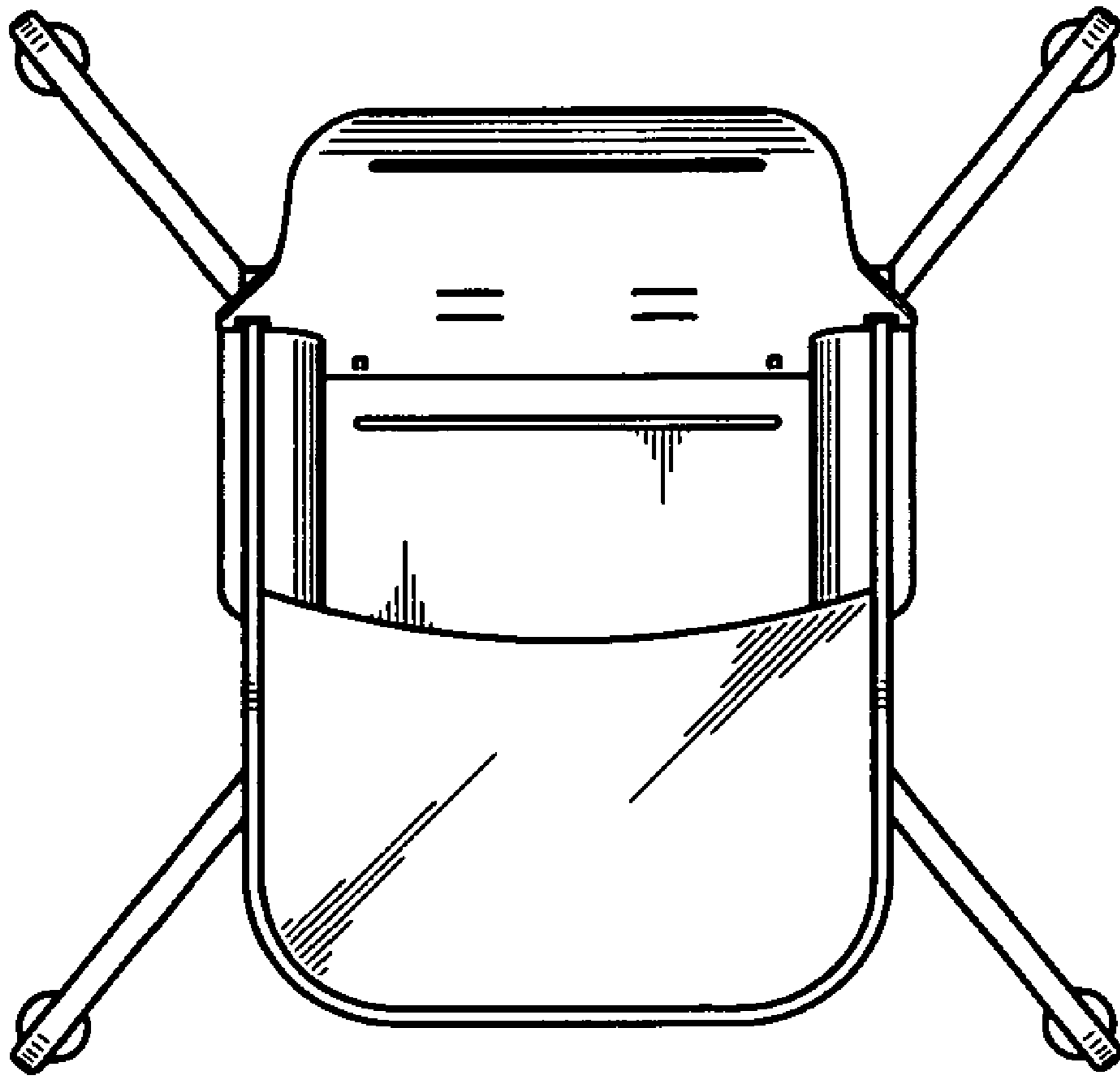


FIG. 3

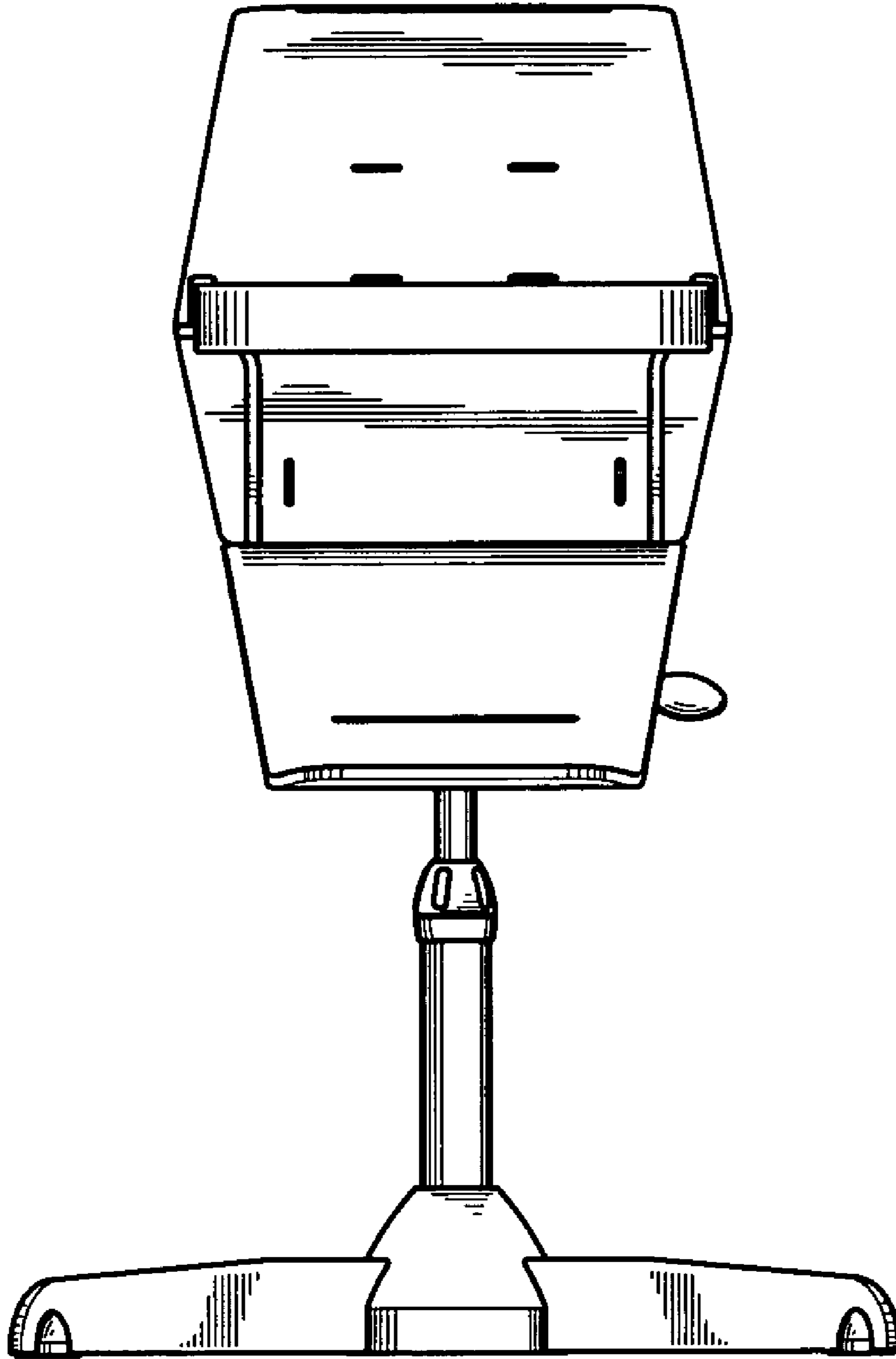


FIG. 4

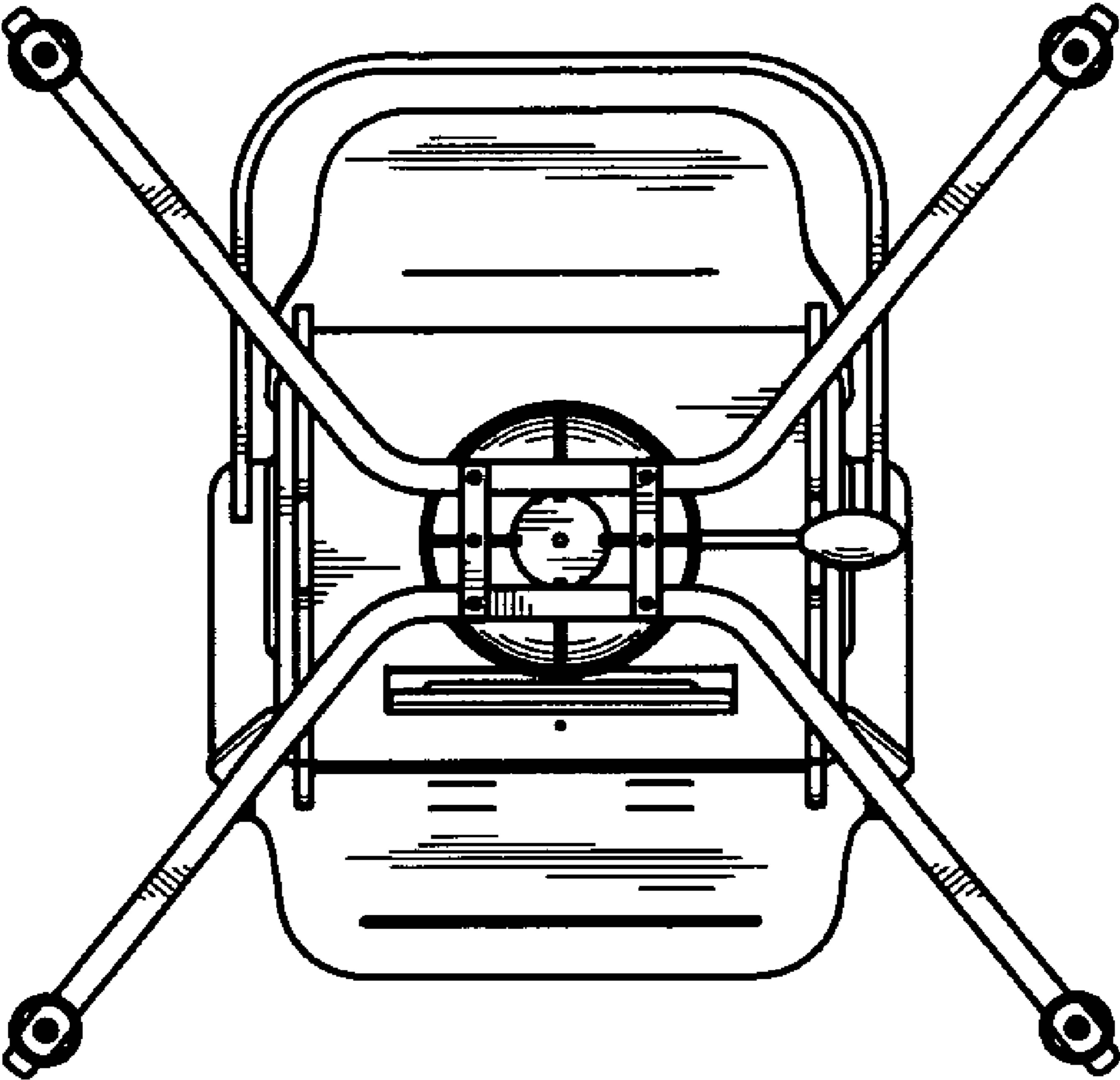


FIG. 5

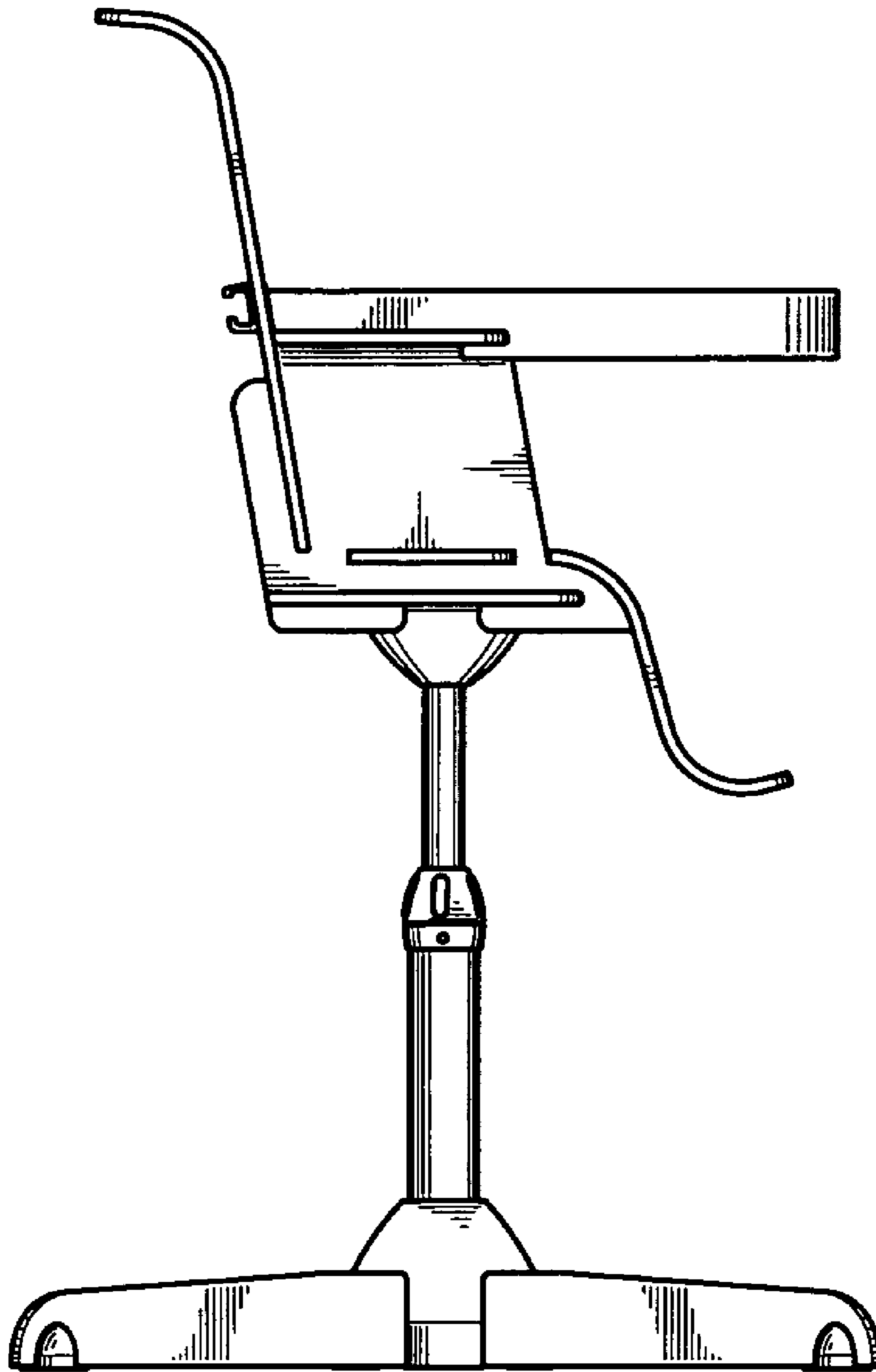


FIG. 6

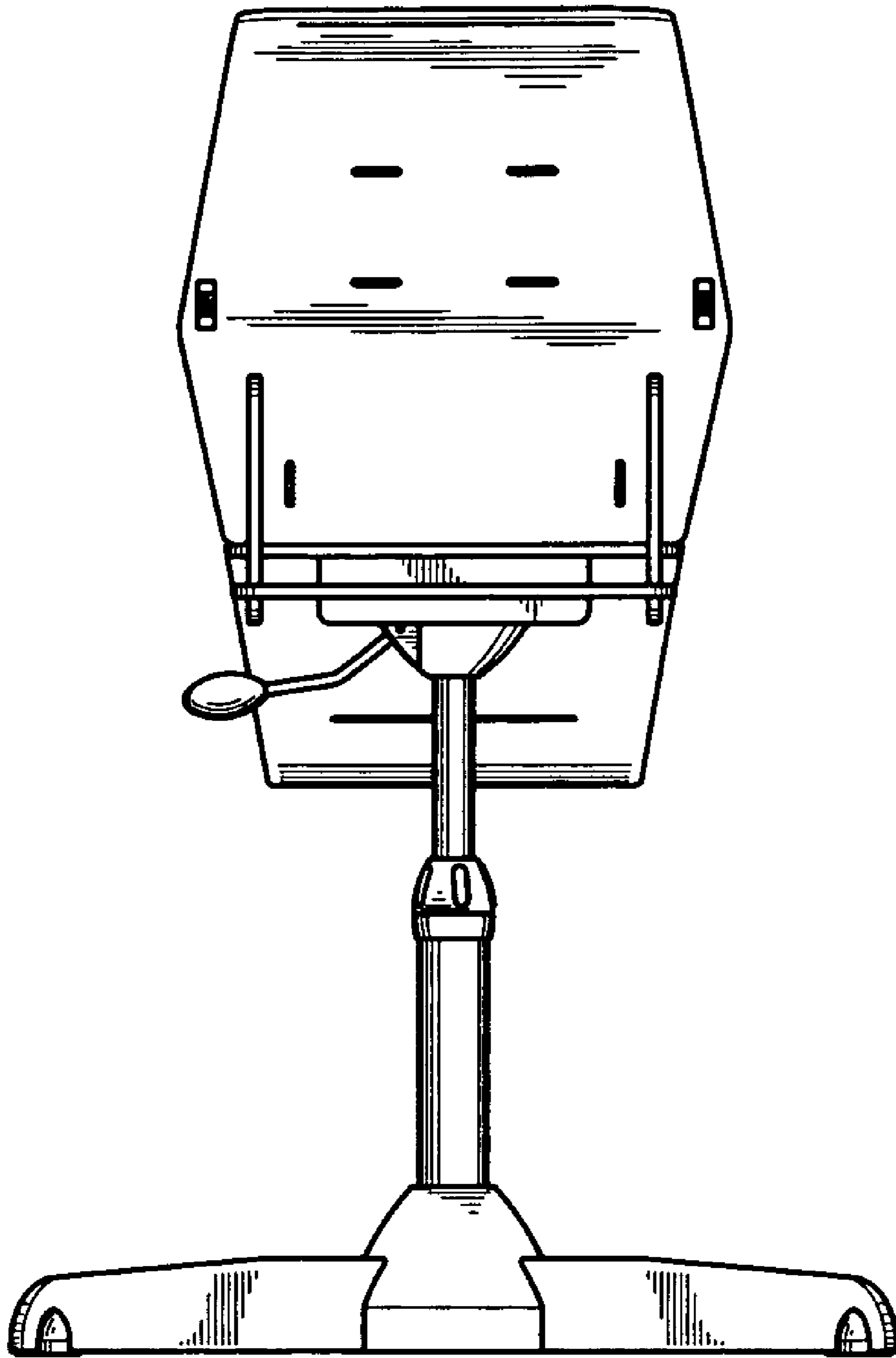


FIG. 7