



US00D576403S

(12) **United States Design Patent**  
**Leslie et al.**

(10) **Patent No.:** **US D576,403 S**  
(45) **Date of Patent:** **\*\* Sep. 9, 2008**

(54) **PORTABLE CARRIER**

(75) Inventors: **Stuart M. Leslie**, Larchmont, NY (US);  
**Roland Zeder**, New York, NY (US);  
**Taek Kim**, Washington Township, NJ  
(US); **Elliott P. Montgomery**, Brooklyn,  
NY (US)

(73) Assignee: **Honeywell International, Inc.**,  
Morristown, NJ (US)

(\*\*) Term: **14 Years**

(21) Appl. No.: **29/296,748**

(22) Filed: **Oct. 26, 2007**

(51) **LOC (8) Cl.** ..... **03-01**

(52) **U.S. Cl.** ..... **D3/201**

(58) **Field of Classification Search** ..... D3/201,  
D3/224, 226, 232–238, 247–252, 263; 150/129,  
150/131–133, 135, 138, 140, 145, 147, 901;  
190/124, 127; 383/907, 4, 16–17, 904; 206/37–39,  
206/39.5, 39.6, 39.7

See application file for complete search history.

(56) **References Cited**

**U.S. PATENT DOCUMENTS**

- D425,699 S \* 5/2000 Lau ..... D3/226
- D429,562 S \* 8/2000 Lau ..... D3/226
- D525,024 S \* 7/2006 Fridie et al. .... D3/201

\* cited by examiner

*Primary Examiner*—Catherine R Oliver  
(74) *Attorney, Agent, or Firm*—Cantor Colburn, LLP

(57) **CLAIM**

We claim, the ornamental design for a portable carrier, as shown and described.

**DESCRIPTION**

FIG. 1 is a front perspective view of a portable carrier, showing a first embodiment of our new design in a first configuration;

FIG. 2 is a front perspective view of a portable carrier, showing the first embodiment of our new design in a second configuration;

FIG. 3 is a front elevation view of the portable carrier of FIG. 2;

FIG. 4 is a top view of the portable carrier of FIG. 3;

FIG. 5 is a side elevation view of the portable carrier of FIG. 3, wherein both side views of the first embodiment are mirror images of each other;

FIG. 6 is a bottom view of the portable carrier of FIG. 3;

FIG. 7 is a rear elevation view of the portable carrier of FIG. 3;

FIG. 8 is a front perspective view of a portable carrier, showing a second embodiment of our new design in a first configuration;

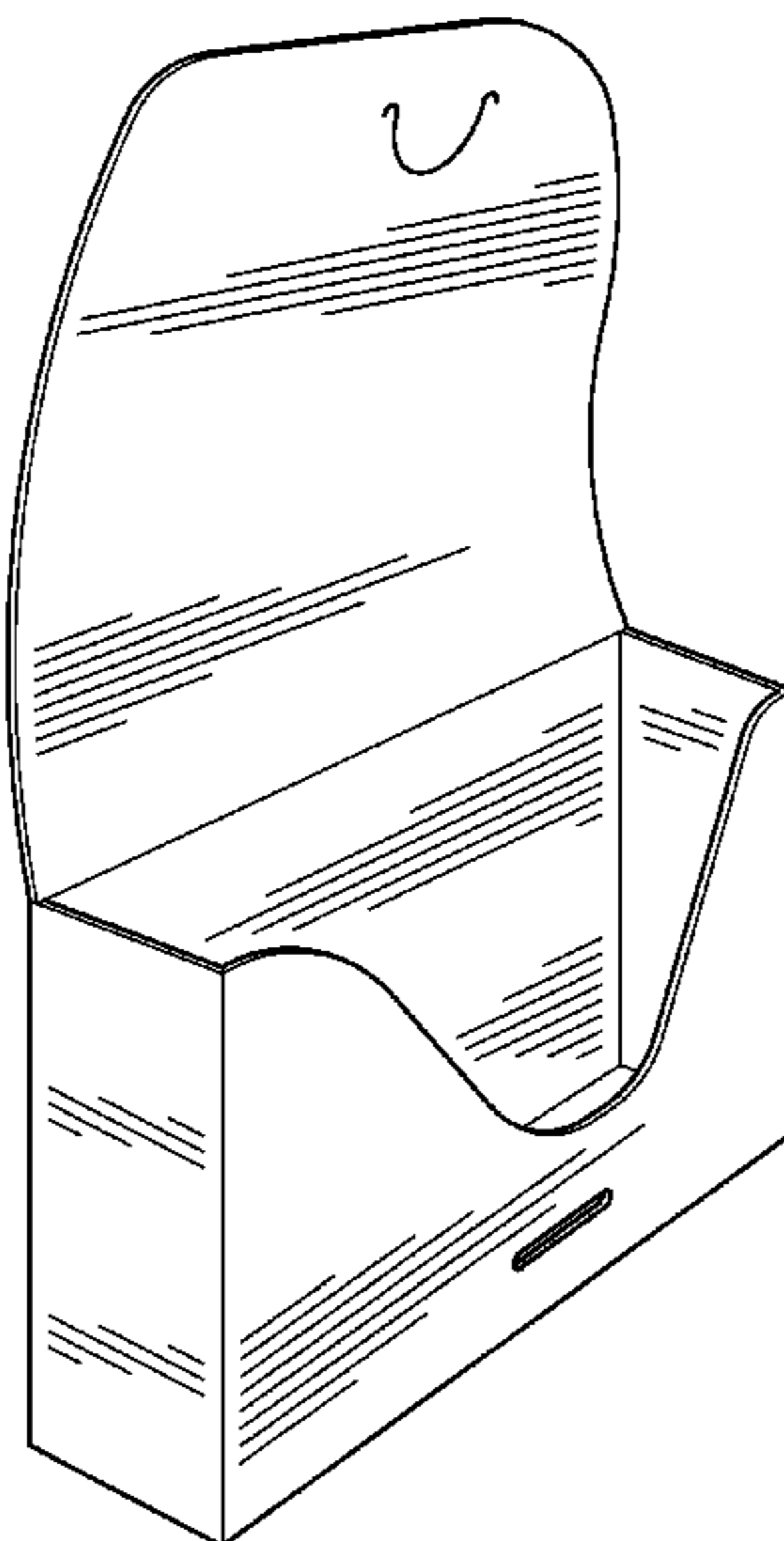
FIG. 9 is a front perspective view of a portable carrier, showing the second embodiment of our new design in a second configuration;

FIG. 10 is a front elevation view of the portable carrier of FIG. 9;

FIG. 11 is a top view of the portable carrier of FIG. 10; and,

FIG. 12 is a side elevation view of the portable carrier of FIG. 10, wherein both side views of the second embodiment are mirror images of each other and the bottom view of the second embodiment is similar to FIG. 6.

**1 Claim, 5 Drawing Sheets**



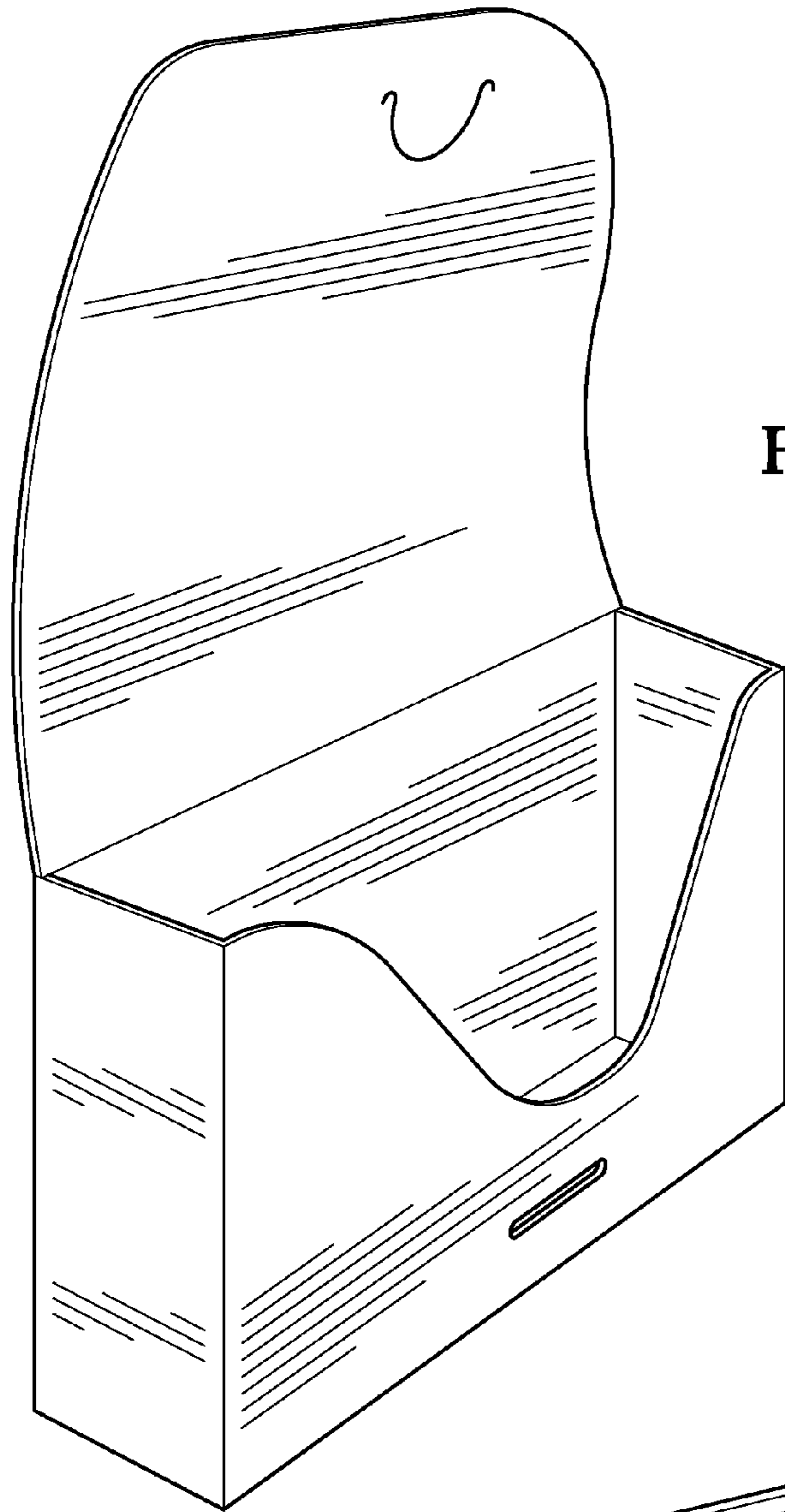


FIG. 1

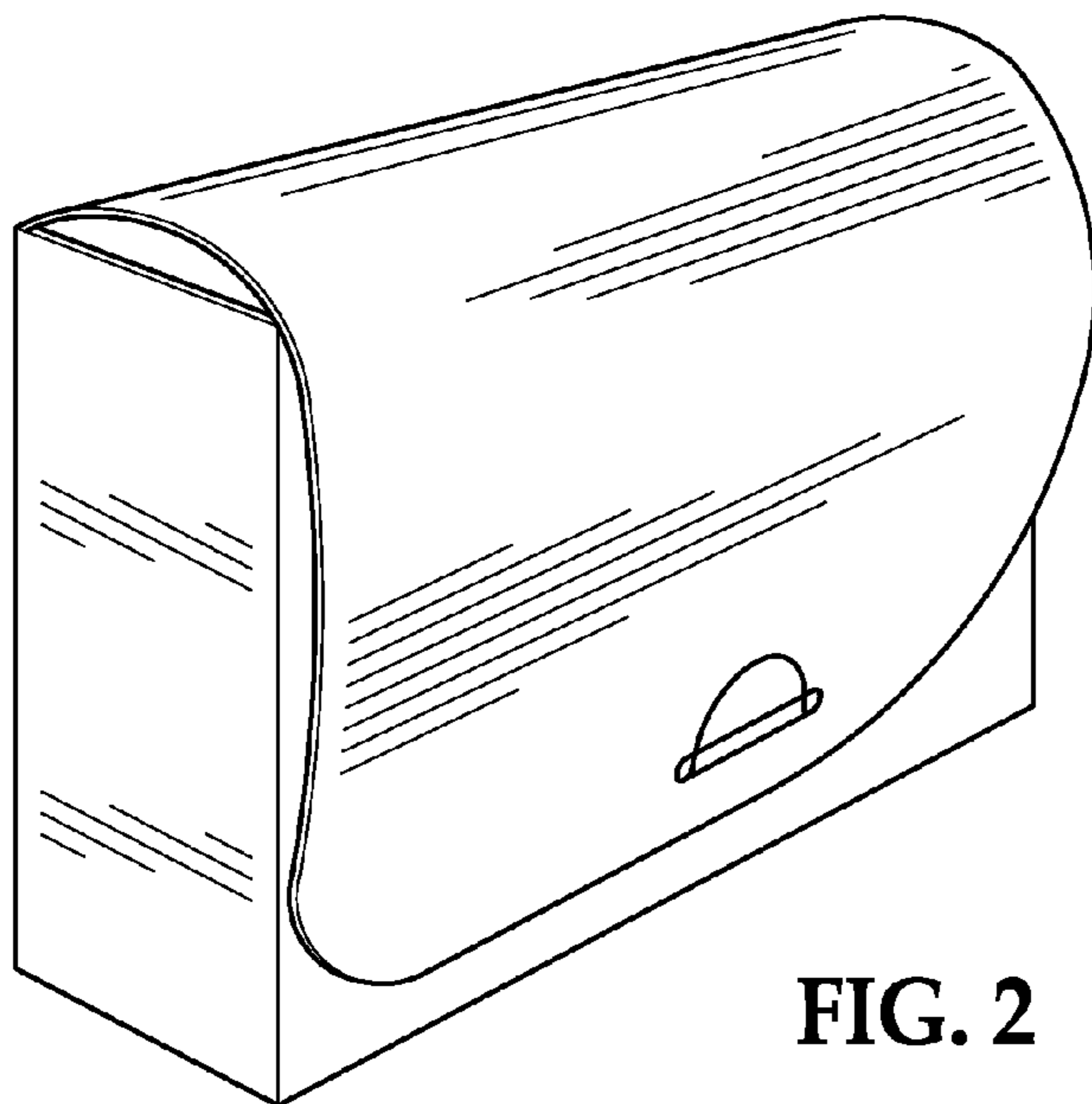
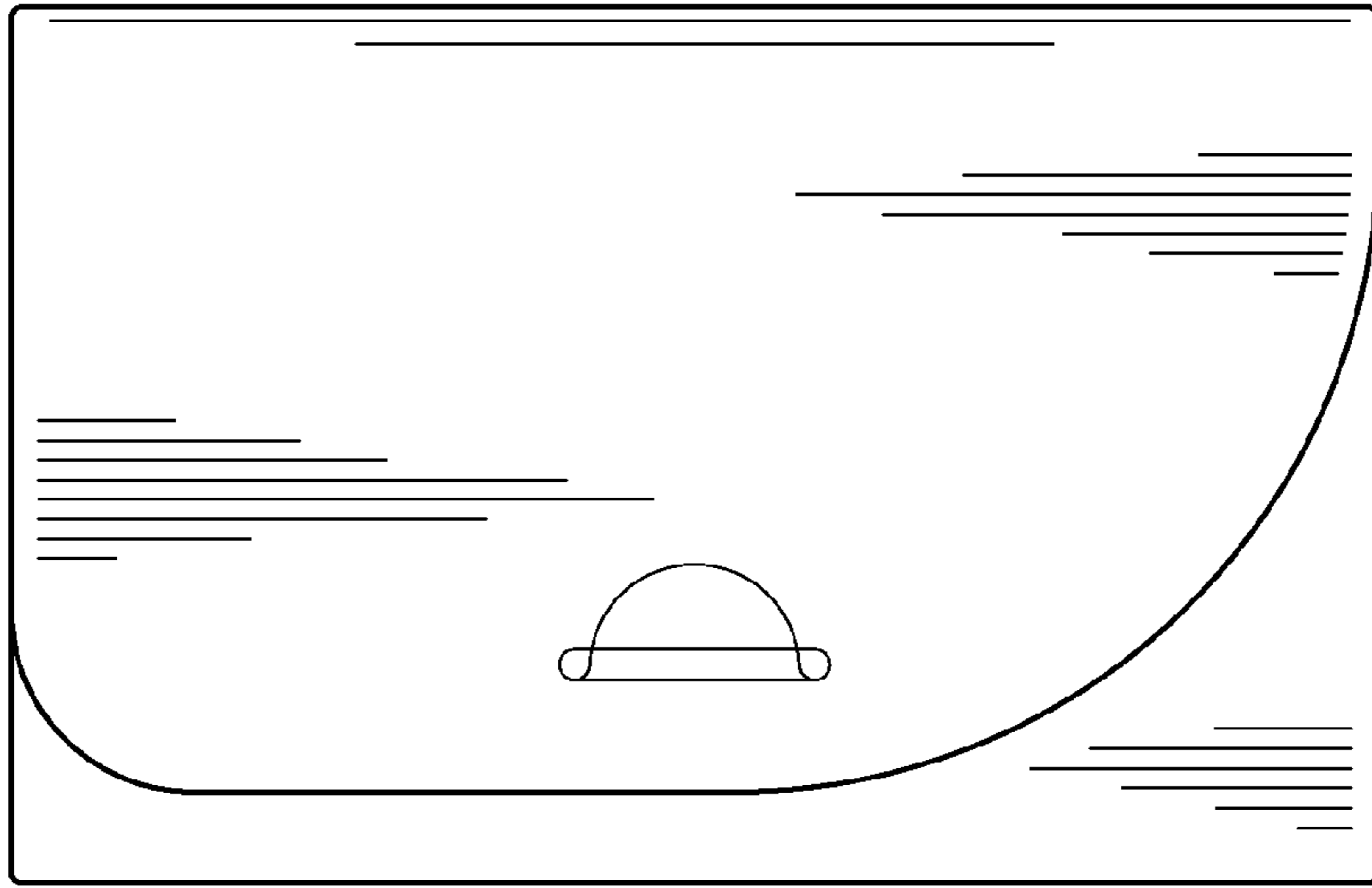
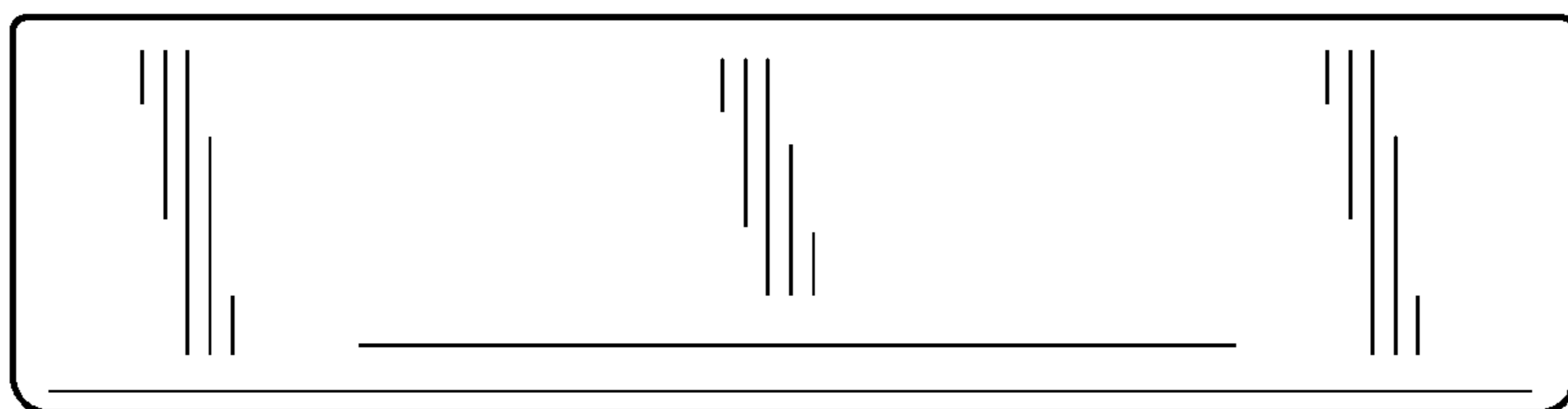


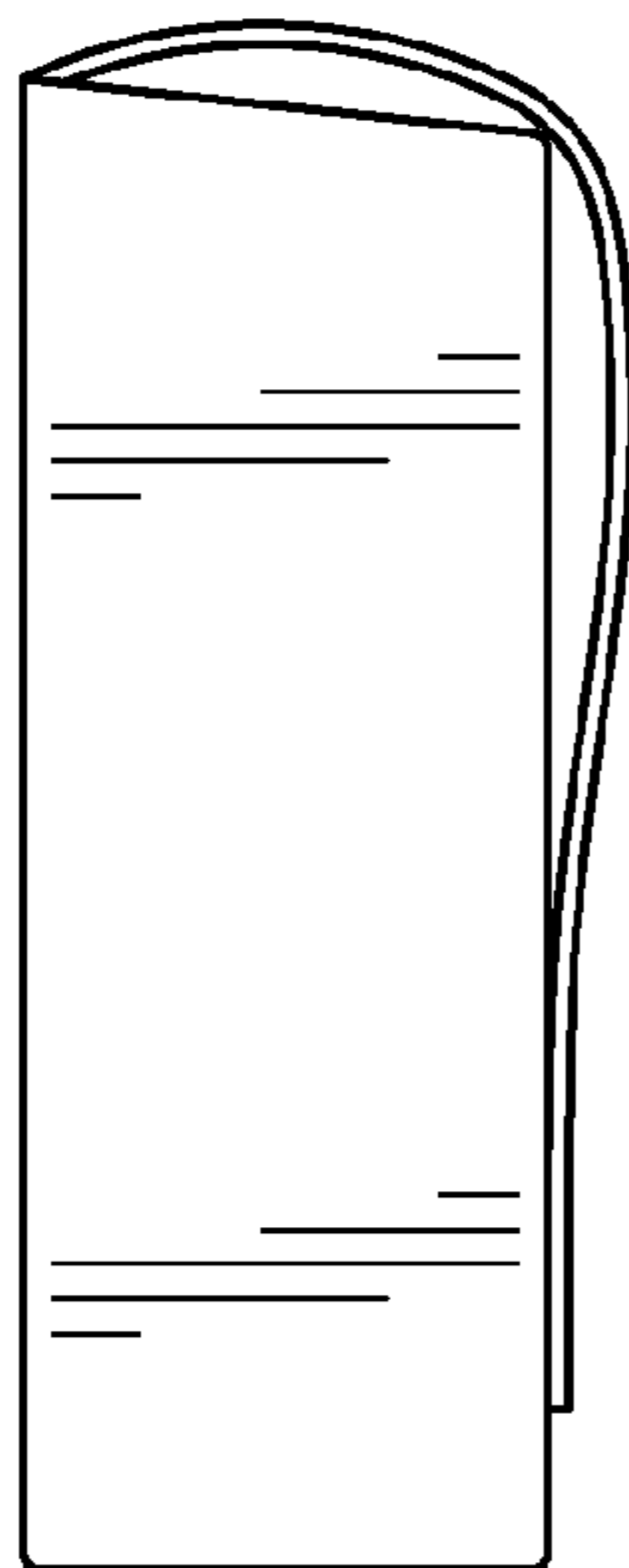
FIG. 2



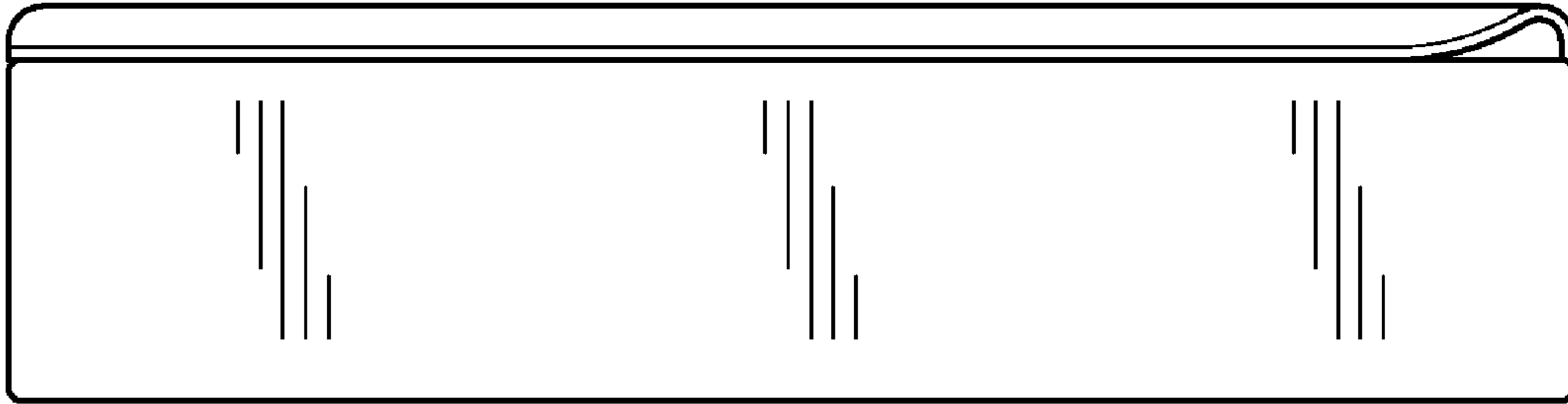
**FIG. 3**



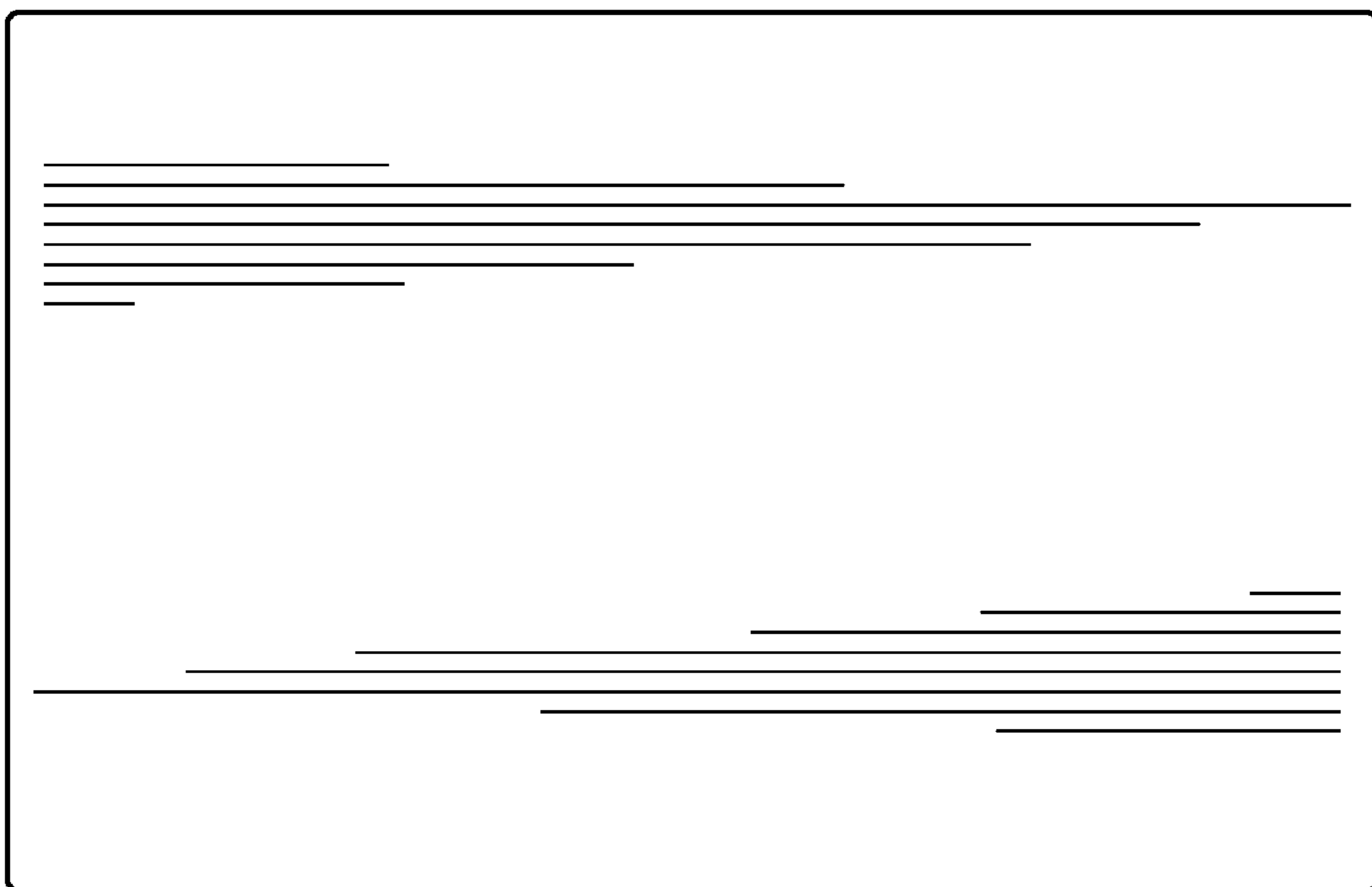
**FIG. 4**



**FIG. 5**



**FIG. 6**



**FIG. 7**

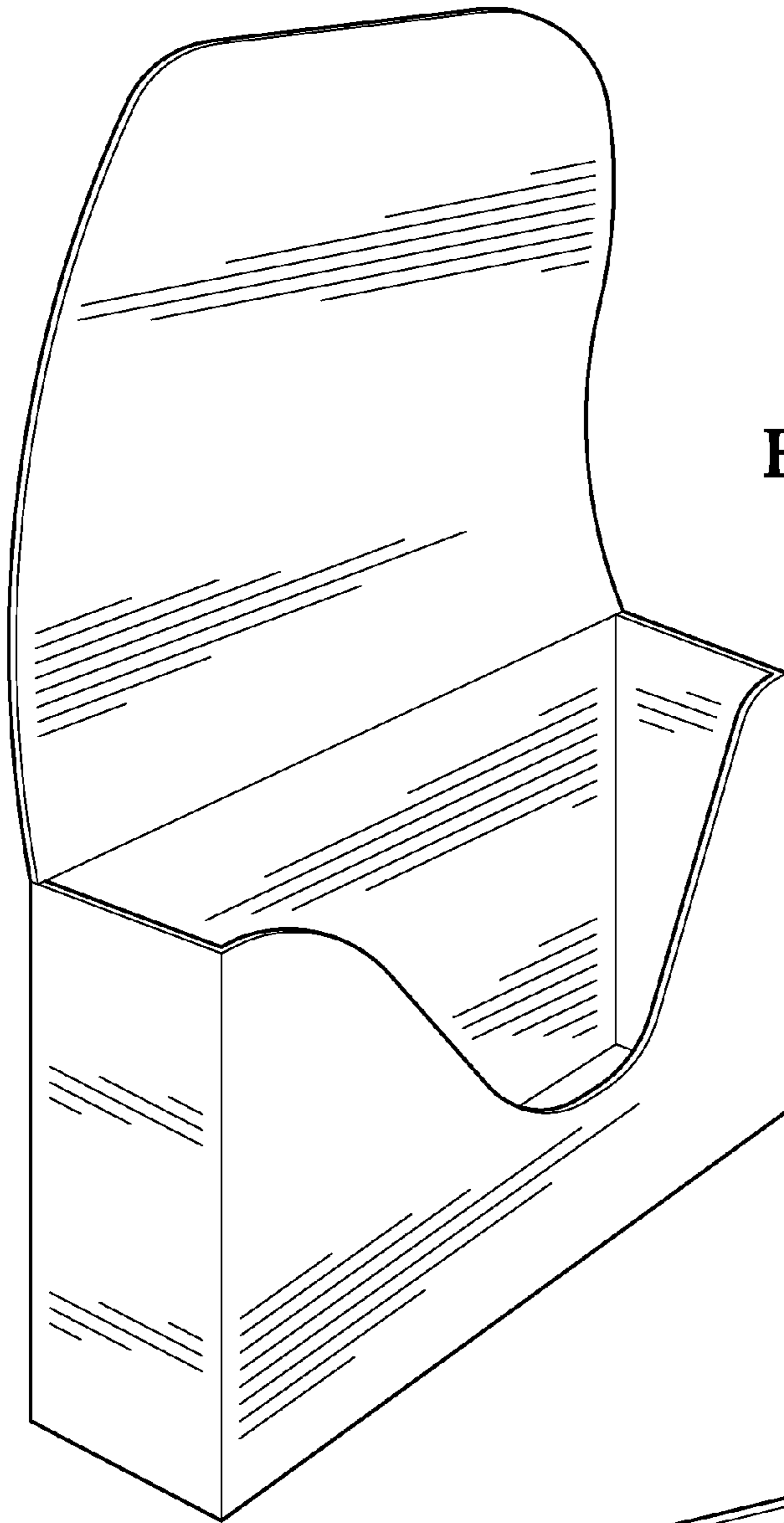


FIG. 8

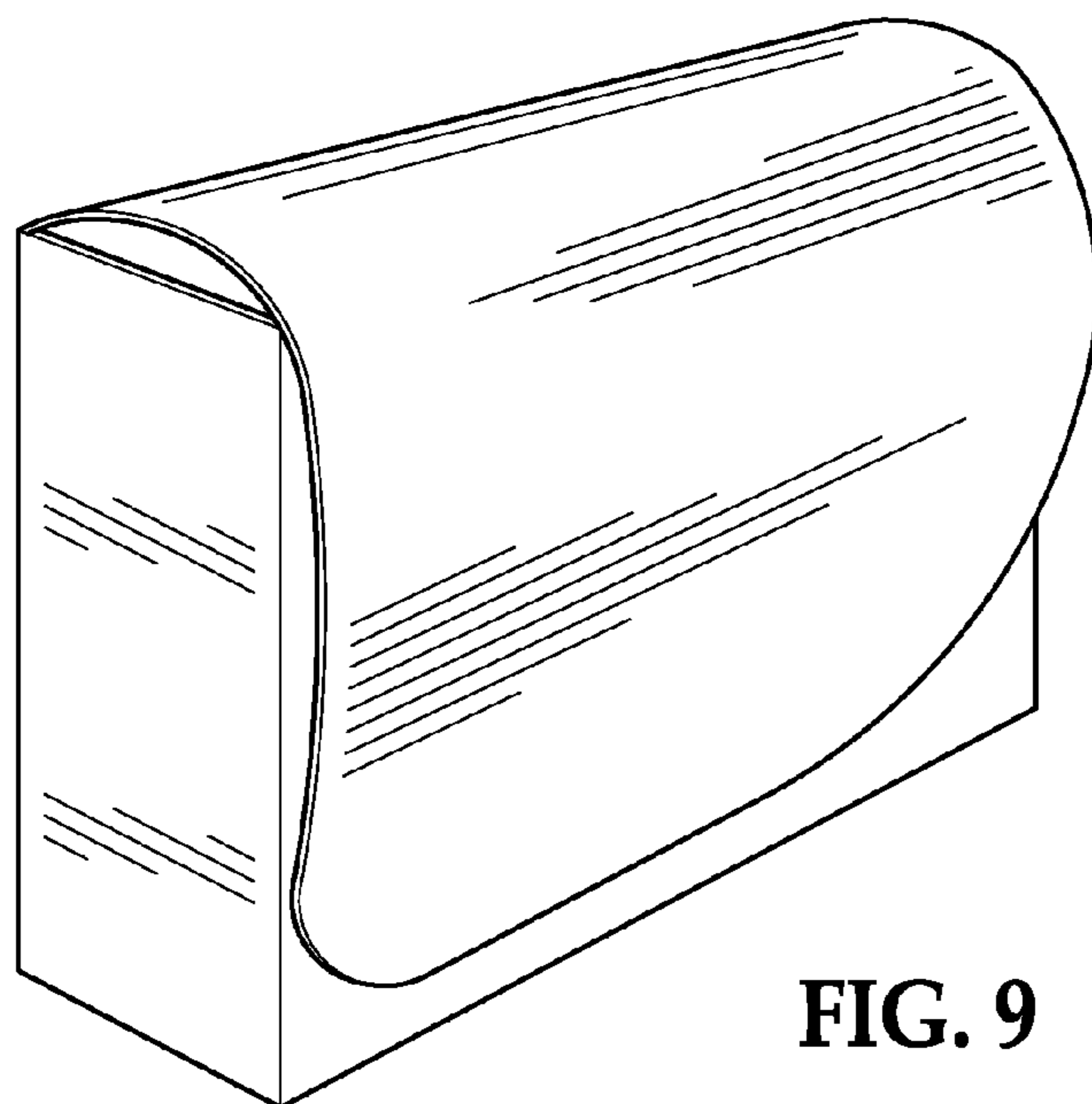


FIG. 9

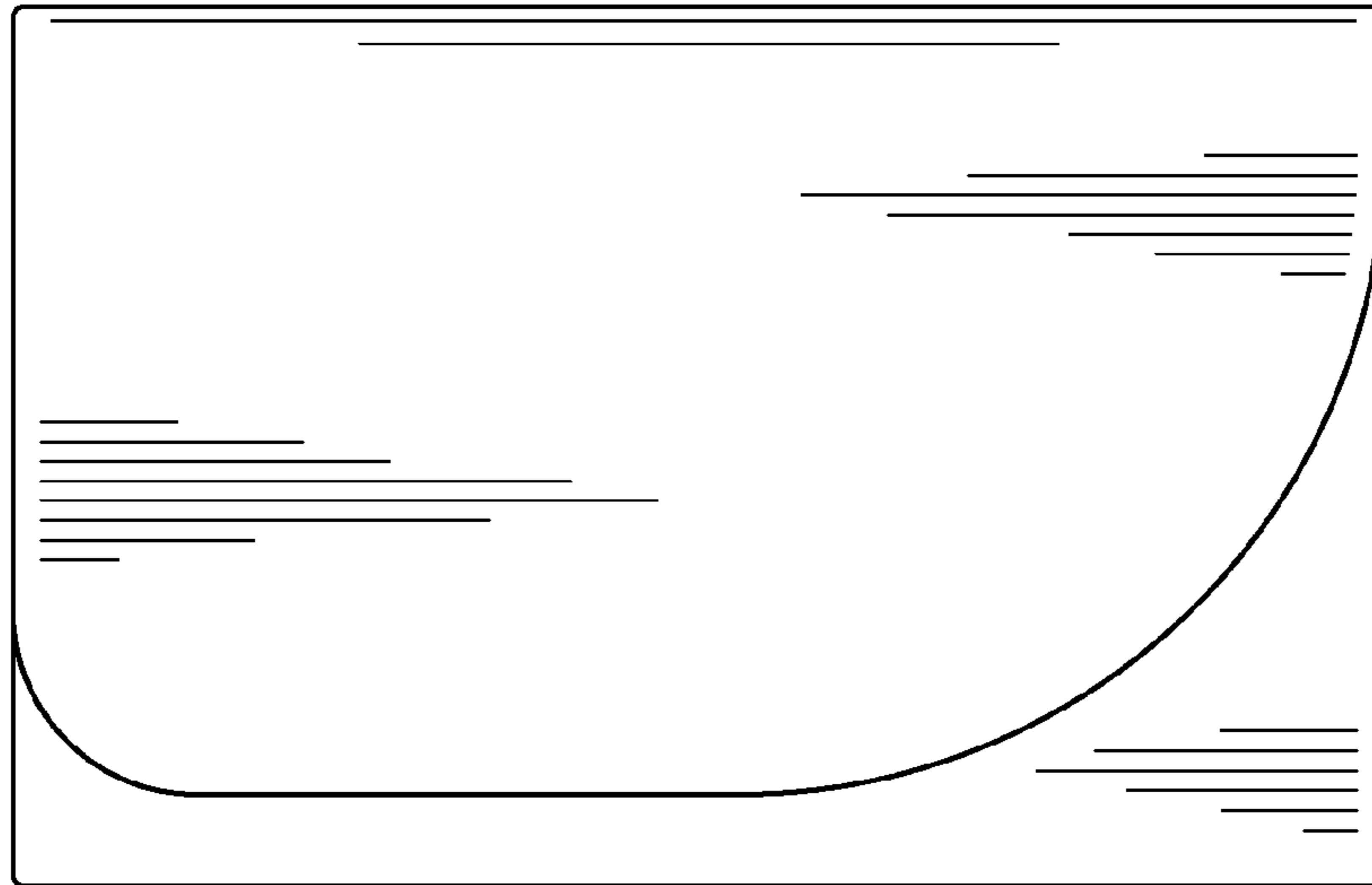


FIG. 10

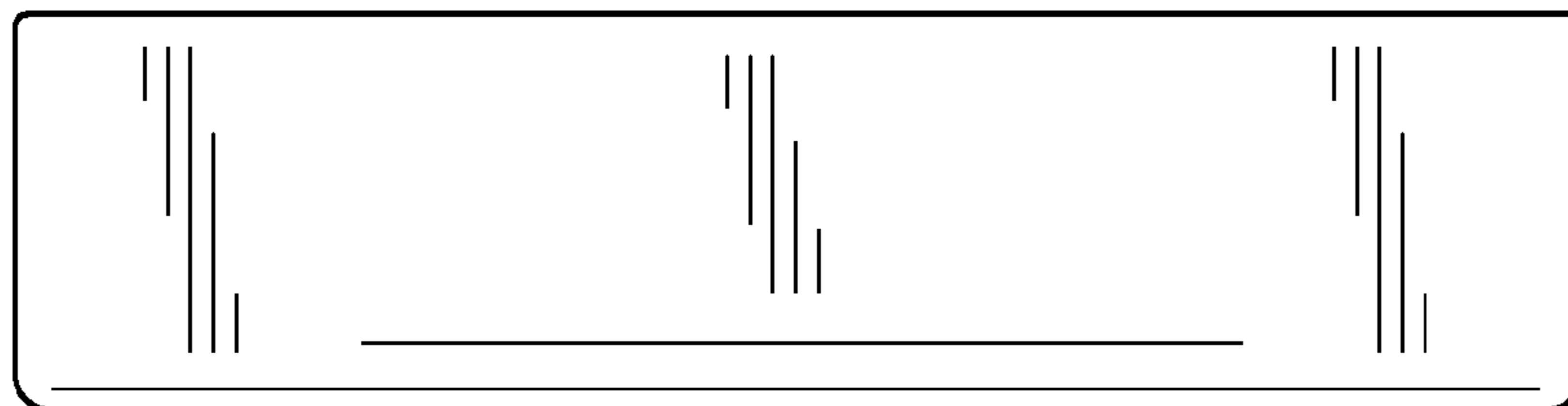


FIG. 11

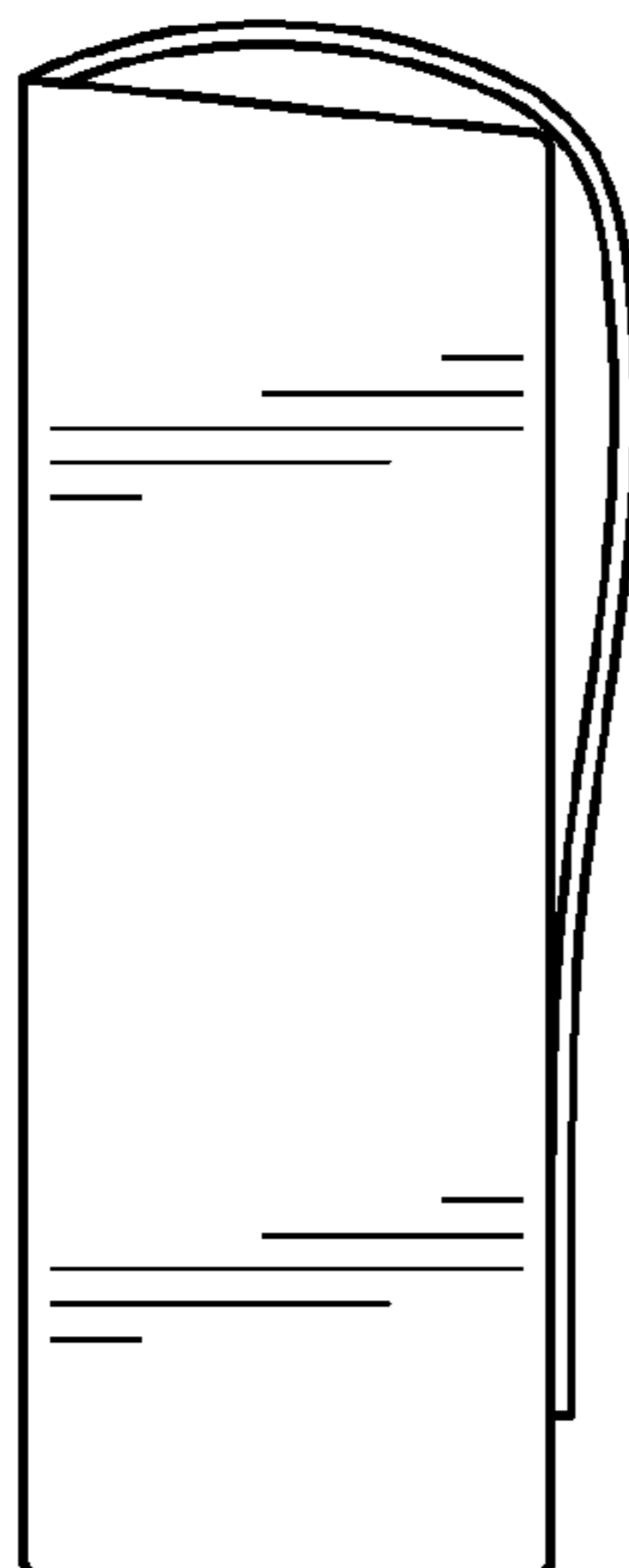


FIG. 12