



US00D576402S

(12) **United States Design Patent**
White

(10) **Patent No.:** **US D576,402 S**
(45) **Date of Patent:** **** Sep. 9, 2008**

(54) **CANE TIP**

(76) **Inventor:** **Velton C. White**, 590 Kearney Rd.,
Burlington, WI (US) 53105

(**) **Term:** **14 Years**

(21) **Appl. No.:** **29/299,028**

(22) **Filed:** **Dec. 18, 2007**

(51) **LOC (8) Cl.** **03-03**

(52) **U.S. Cl.** **D3/17**

(58) **Field of Classification Search** D3/5-17;
135/65-76, 77-86; D6/495

See application file for complete search history.

(56) **References Cited**

U.S. PATENT DOCUMENTS

4,947,882	A *	8/1990	Levasseur	135/84
D324,945	S *	3/1992	Pina	D3/9
D324,946	S *	3/1992	Karten	D3/17
D412,615	S *	8/1999	Brightbill et al.	D3/17
6,131,593	A *	10/2000	Greene et al.	135/77
6,557,188	B1 *	5/2003	Peterson	135/66
D476,803	S *	7/2003	Margolis	D3/17
D513,862	S *	1/2006	Kivela	D3/9

OTHER PUBLICATIONS

360 Degree Angle Cane—58115 [online], [retrieved on Nov. 30, 2007]. Retrieved from Collections Etc. website using Internet <URL: <http://www.collectionsetc.com/Item58115.aspx>>.

* cited by examiner

Primary Examiner—Louis S Zarfaz

Assistant Examiner—Anhdao Doan

(74) *Attorney, Agent, or Firm*—Dorr, Carson & Birney, P.C.

(57) **CLAIM**

The ornamental design for a cane tip, as shown and described.

DESCRIPTION

FIG. 1 is a front perspective view of a cane tip showing with an environment. The broken line showing of the cane shaft is included for the purpose of illustrating an environment that forms no part of the claimed design.

FIG. 2 is a top view thereof.

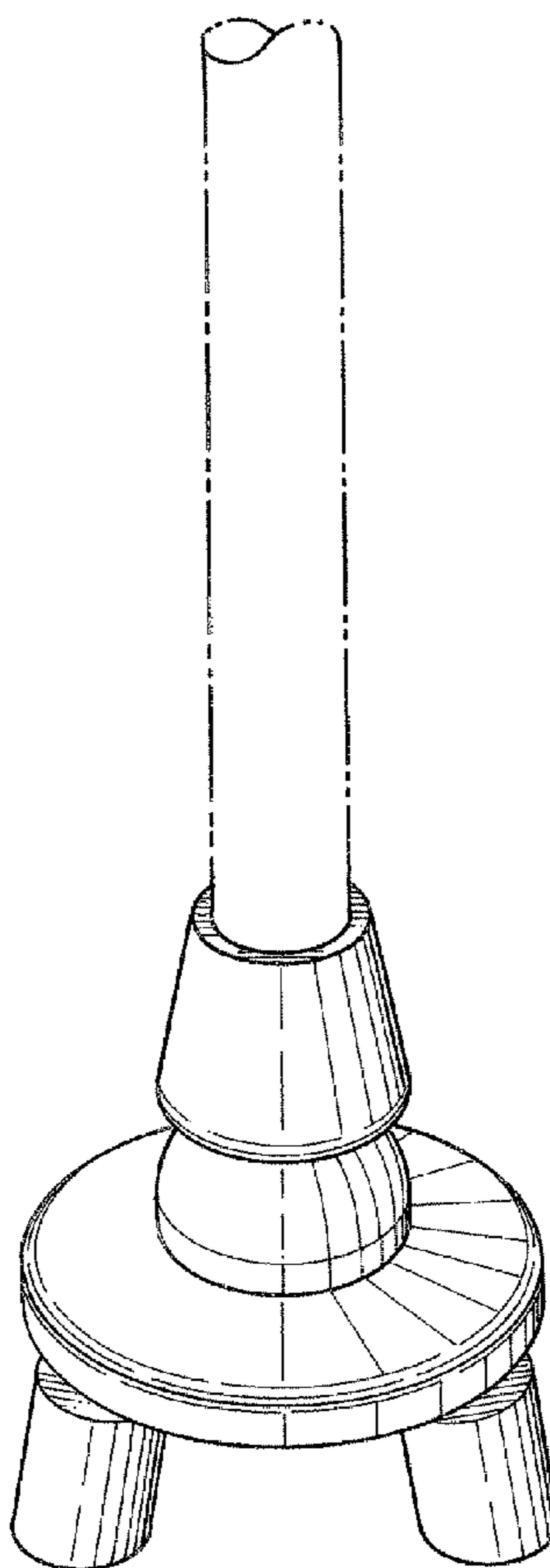
FIG. 3 is a front elevational view thereof.

FIG. 4 is a bottom view thereof.

FIG. 5 is a rear elevational view thereof; and,

FIG. 6 is a left side elevational view thereof, with the right side elevational view being a mirror image of FIG. 6.

1 Claim, 3 Drawing Sheets



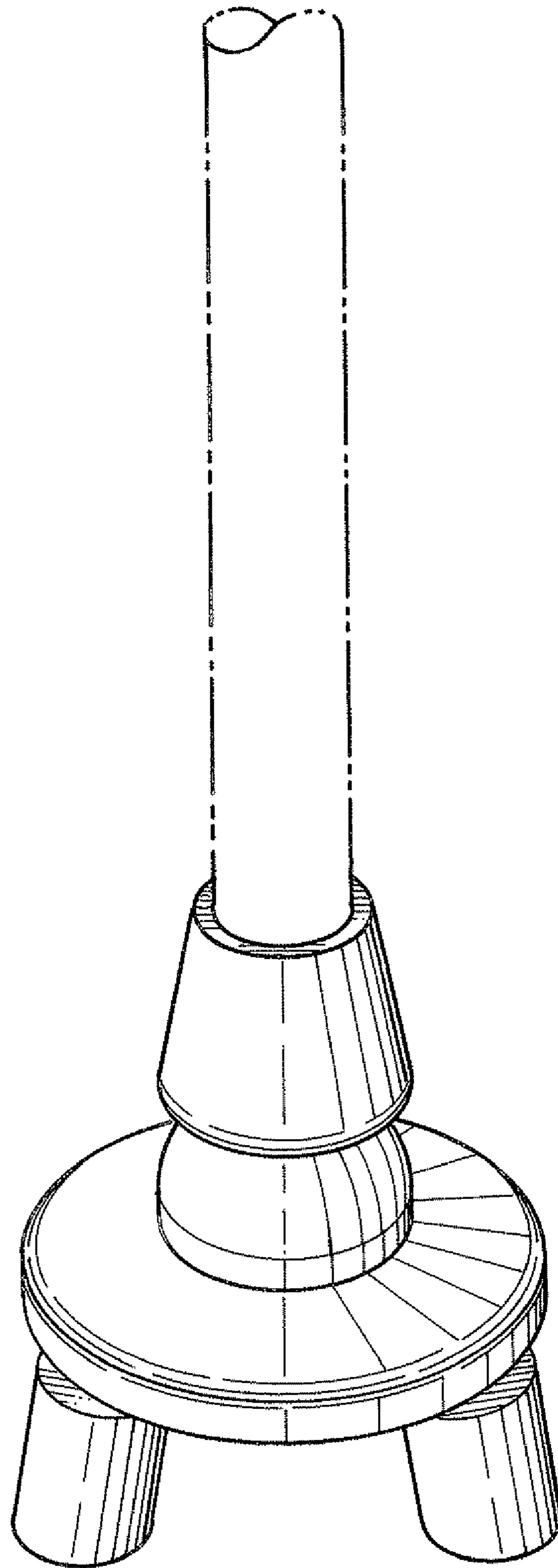


Fig. 1

Fig. 2

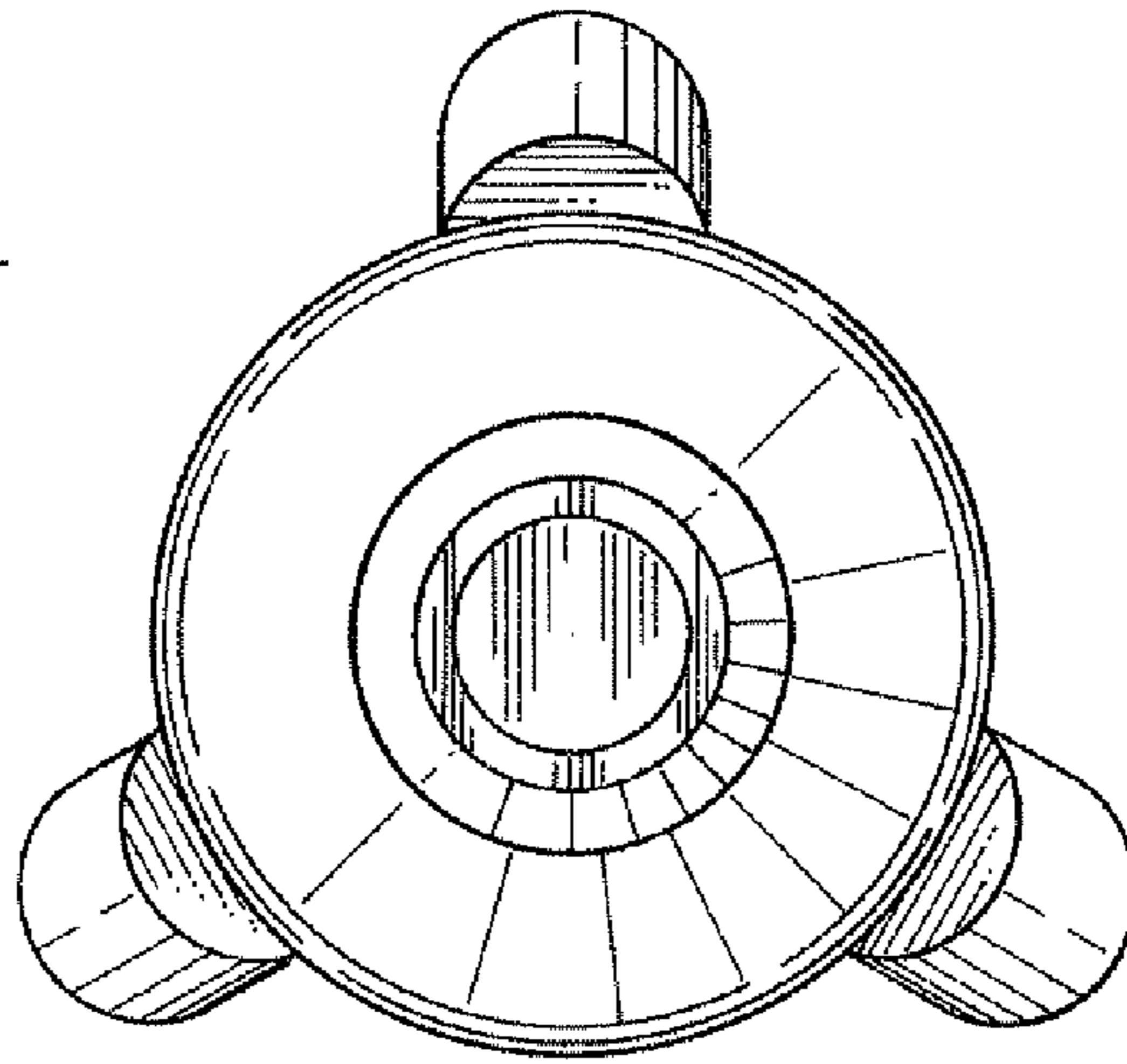


Fig. 3

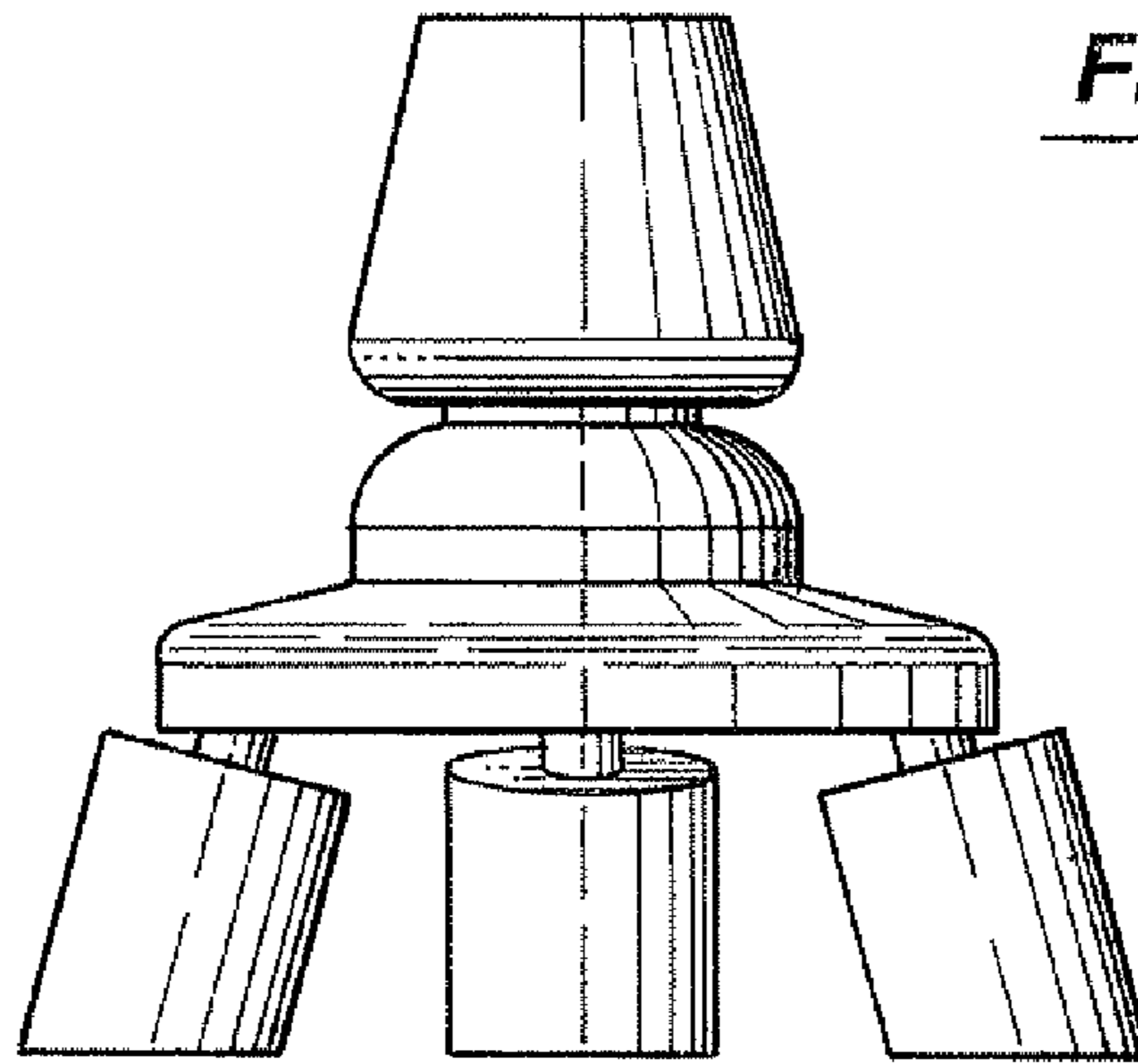


Fig. 4

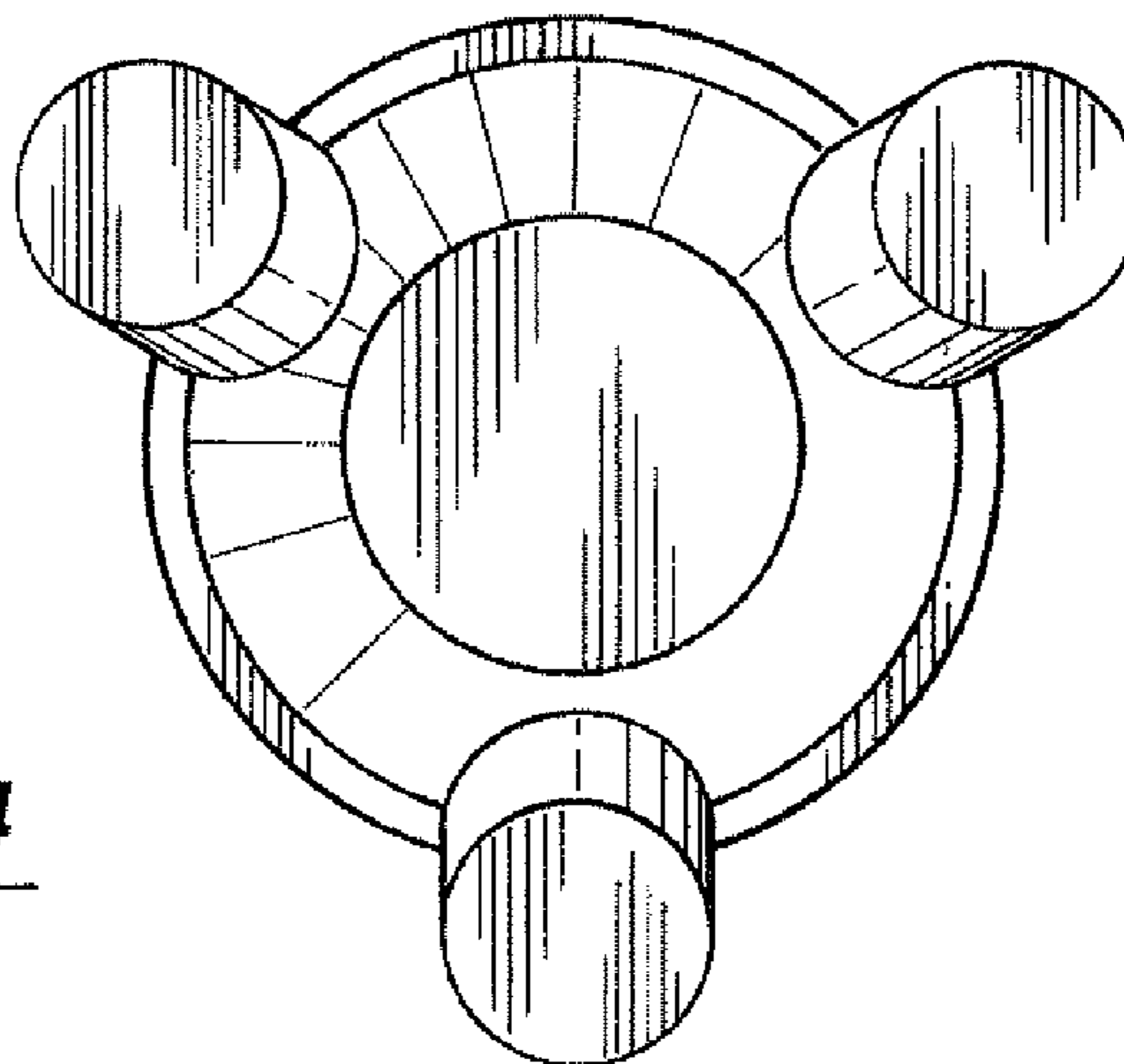


Fig. 5

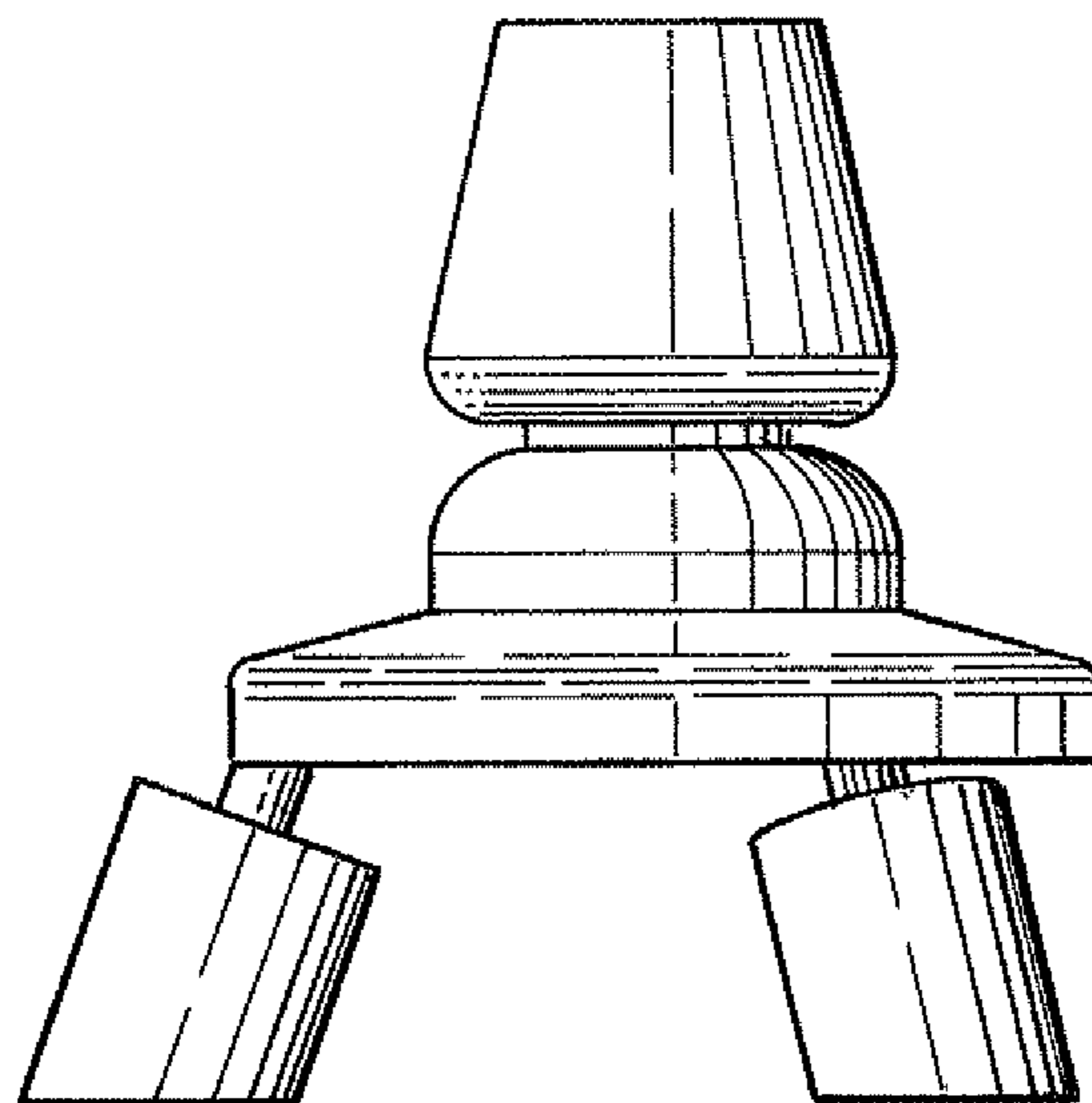
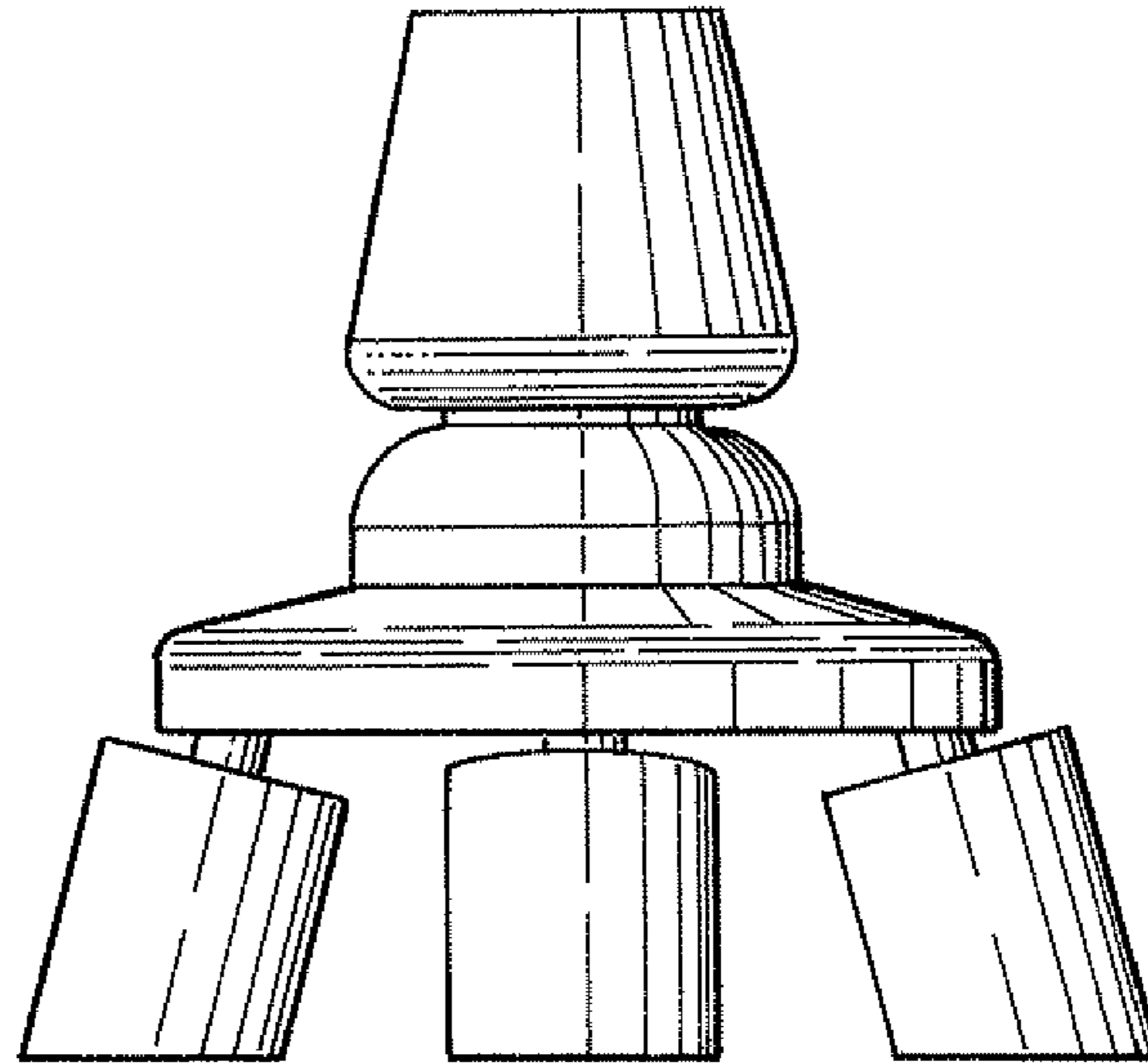


Fig. 6