



US00D576398S

(12) **United States Design Patent**
Guers-Neyraud

(10) **Patent No.:** **US D576,398 S**

(45) **Date of Patent:** **** Sep. 9, 2008**

(54) **FOOTWEAR**

(75) Inventor: **Elisabeth Guers-Neyraud**, Paris (FR)

(73) Assignee: **J. Choo Limited**, London (GB)

(**) Term: **14 Years**

(21) Appl. No.: **29/271,726**

(22) Filed: **Jan. 24, 2007**

(51) **LOC (8) Cl.** **02-04**

(52) **U.S. Cl.** **D2/971; D2/946; D2/917**

(58) **Field of Classification Search** D2/896,
D2/897, 916-919, 925, 929-934, 943, 969-972,
D2/977, 978; 36/7.3-7.5, 11.5, 45, 88-92,
36/94, 106

See application file for complete search history.

(56) **References Cited**

U.S. PATENT DOCUMENTS

1,977,995	A *	10/1934	Morali	36/11.5
D151,699	S *	11/1948	Lothrop	D2/916
D158,389	S	5/1950	Lakow		
D168,785	S *	2/1953	Eisenberg	D2/950
D375,400	S *	11/1996	Bishop	D2/969
D408,984	S *	5/1999	Hardy	D2/972
D516,280	S *	3/2006	Jarmon Mouchi et al.	D2/946
D519,718	S *	5/2006	Choi	D2/898
D524,021	S *	7/2006	Choi	D2/971
D545,039	S *	6/2007	Weitzman et al.	D2/971
D550,936	S *	9/2007	Choi	D2/917
D563,088	S *	3/2008	Belley et al.	D2/969
2005/0016017	A1 *	1/2005	McClaskie	36/7.5
2008/0005856	A1 *	1/2008	Hung	12/146 B

OTHER PUBLICATIONS

J. Choo (Jersey) Limited, Train, Spring/Summer 2003 Catalogue.
U.S. Appl. No. 29/271,785, filed Jan. 26, 2007.

* cited by examiner

Primary Examiner—Stella M. Reid

Assistant Examiner—Keli L Acker

(74) *Attorney, Agent, or Firm*—Fross Zelnick Lehrman & Zissu, P.C.; Lawrence E. Apolzon, Esq.

(57) **CLAIM**

The ornamental design for footwear, as shown and described.

DESCRIPTION

FIG. 1 is a front perspective view of footwear, embodying my new design;

FIG. 2 is a left side view thereof;

FIG. 3 is a right side view thereof;

FIG. 4 is a front view thereof;

FIG. 5 is a top view thereof;

FIG. 6 is a front perspective view of a second embodiment of footwear, embodying my new design;

FIG. 7 is a left side view thereof;

FIG. 8 is a right side view thereof;

FIG. 9 is a front view thereof;

FIG. 10 is a top view thereof;

FIG. 11 is a front perspective view of a third embodiment of footwear, embodying my new design;

FIG. 12 is a left side view thereof;

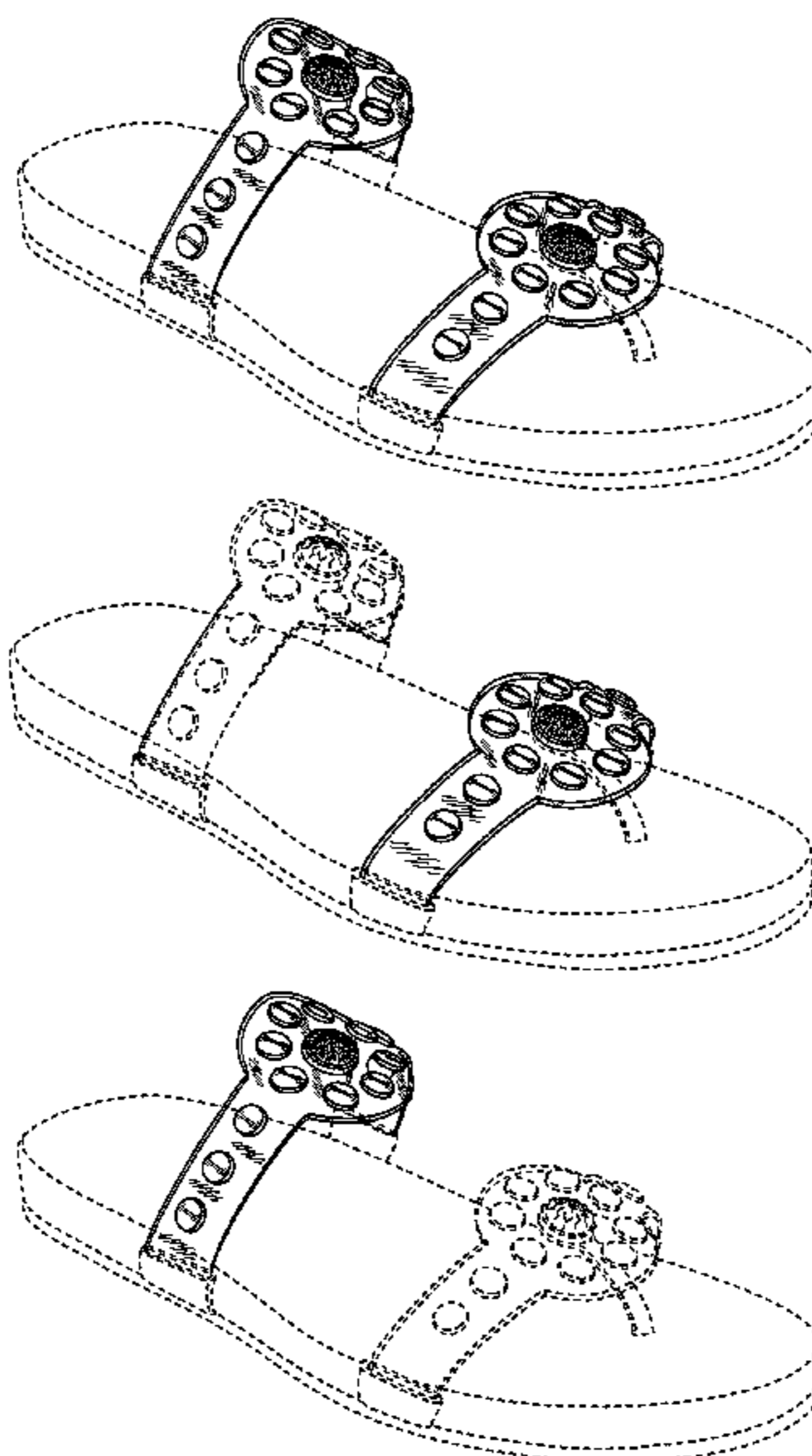
FIG. 13 is a right side view thereof;

FIG. 14 is a front view thereof; and,

FIG. 15 is a top view thereof.

The broken line showing of the sole, heel, toe thong, footbed, straps, and circular pieces is for illustrative purposes only and forms no part of the claimed design.

1 Claim, 15 Drawing Sheets



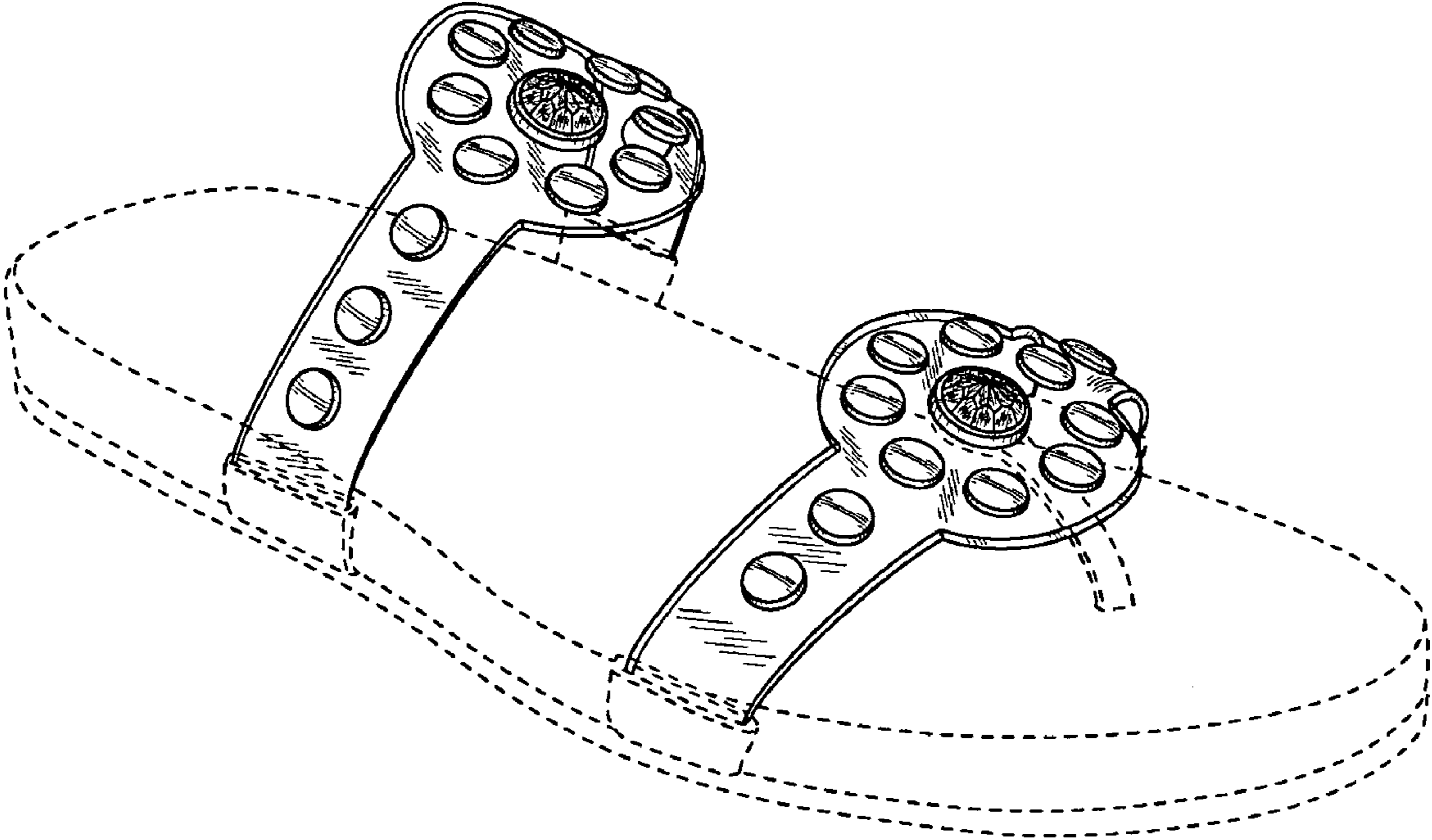


FIG. 1

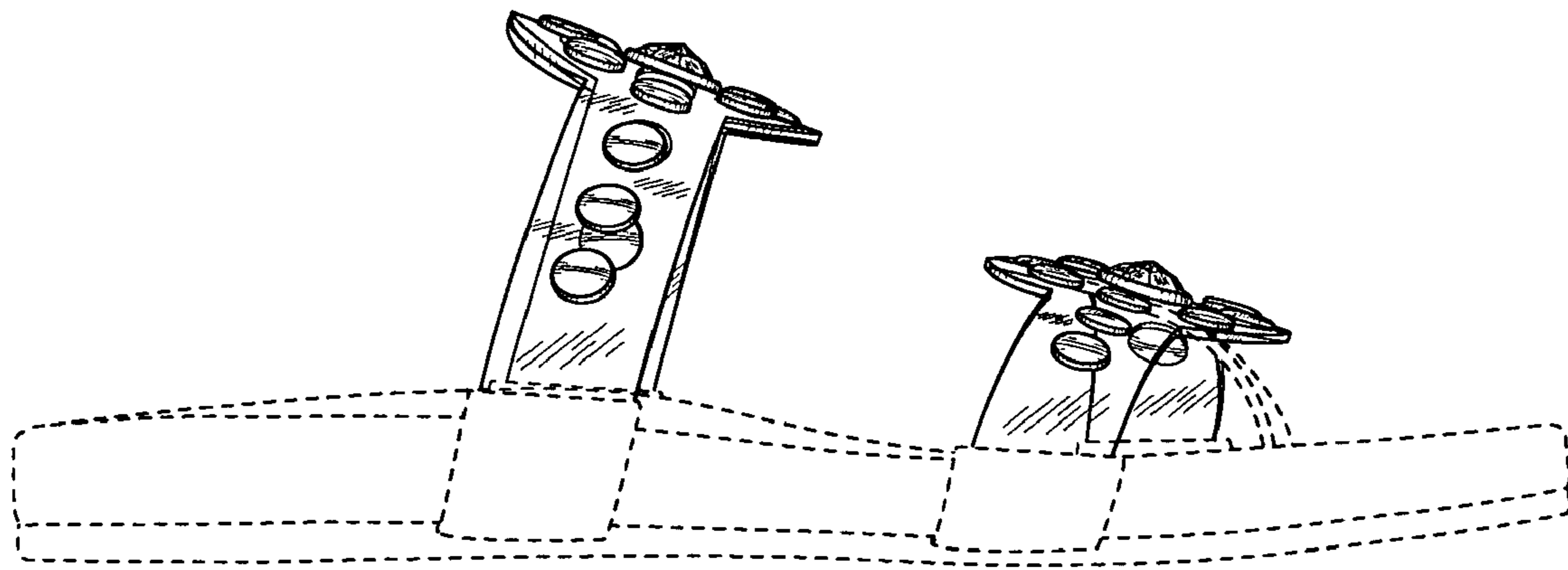


FIG. 2

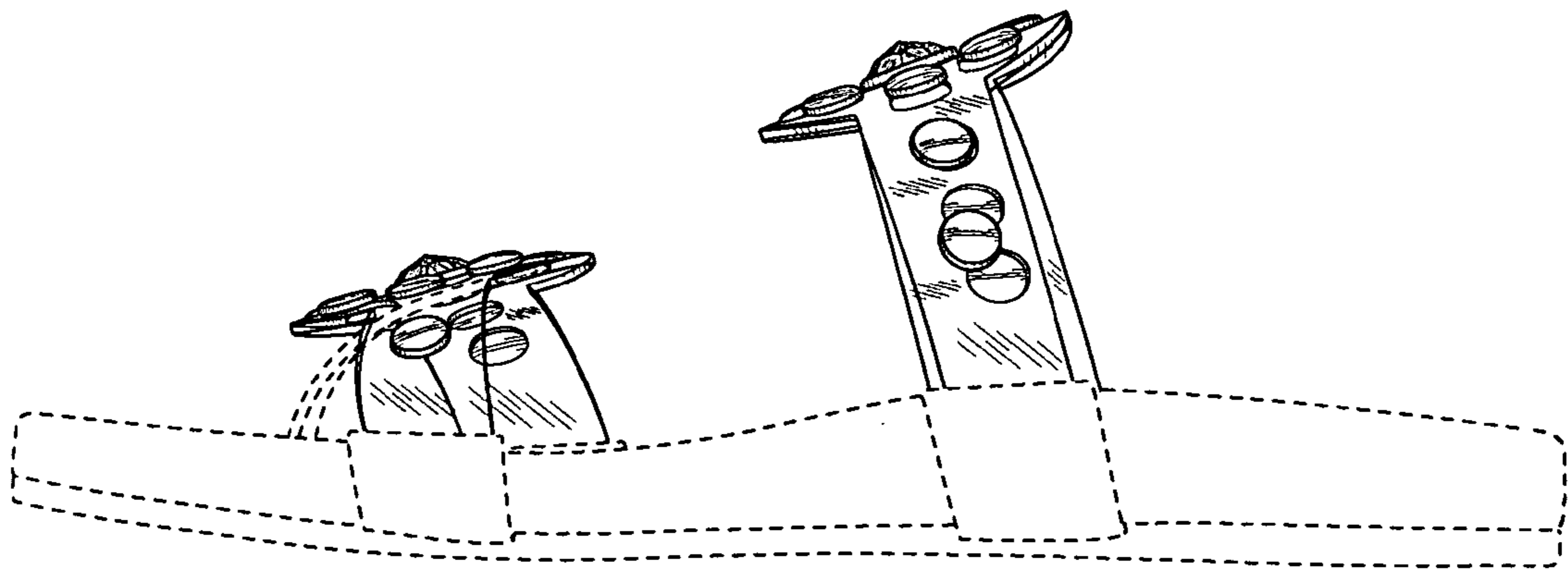


FIG. 3

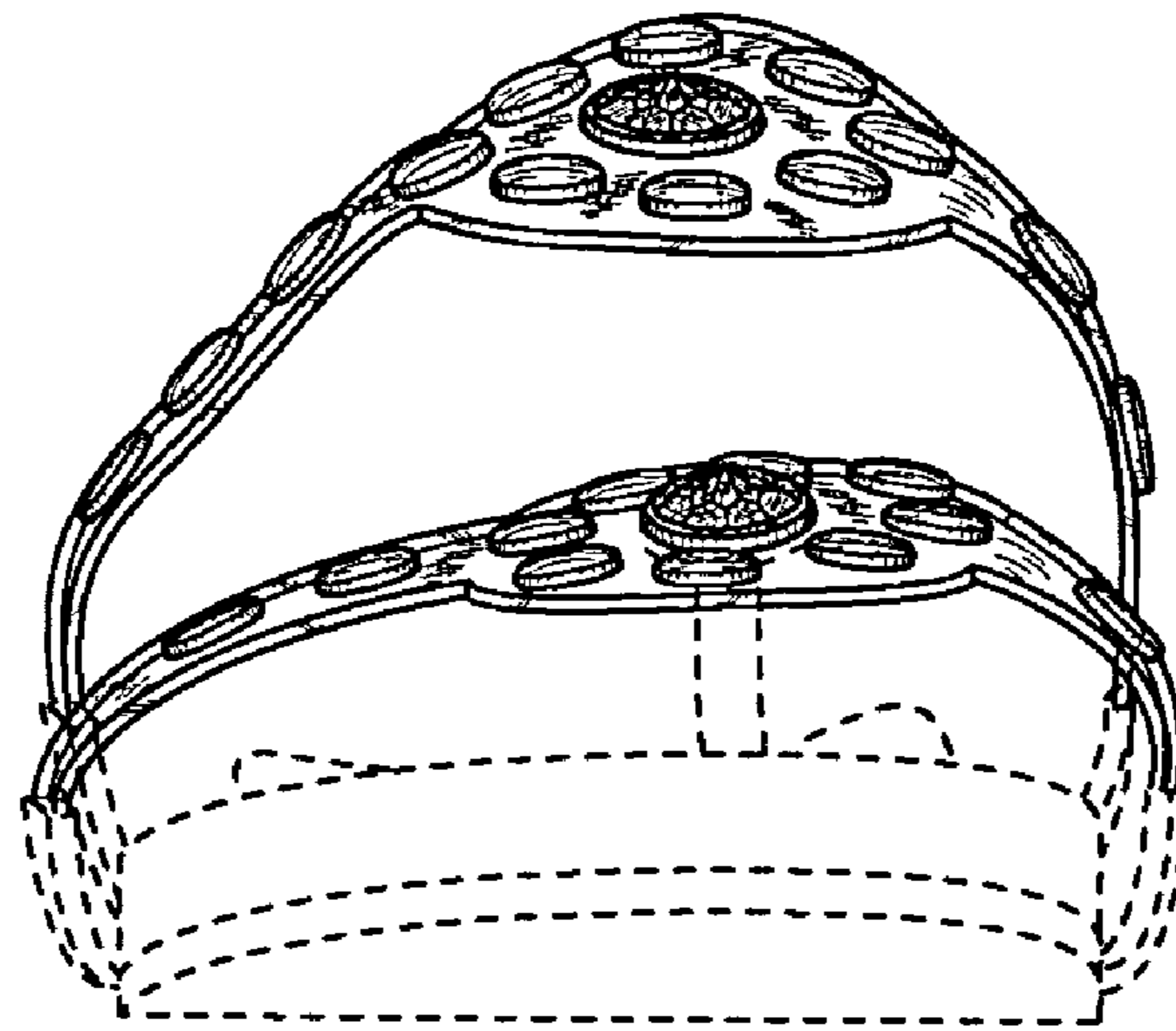


FIG. 4

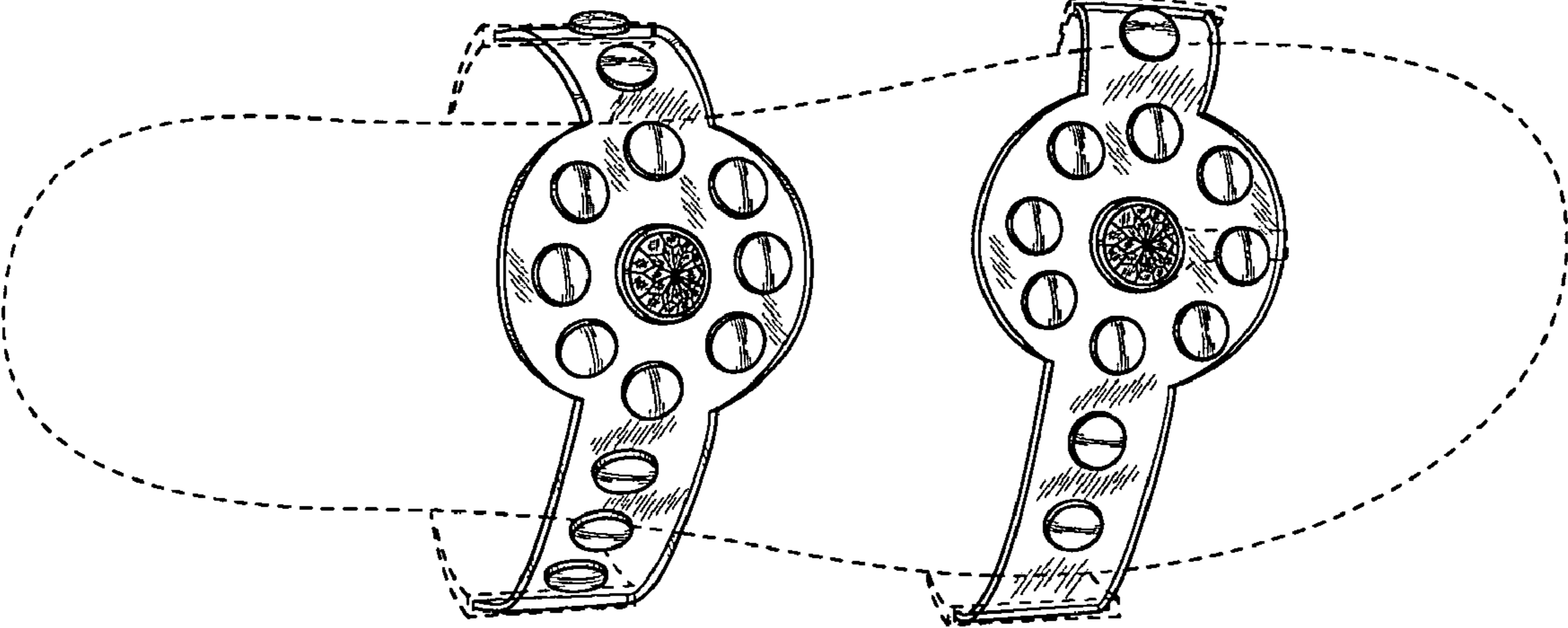


FIG. 5

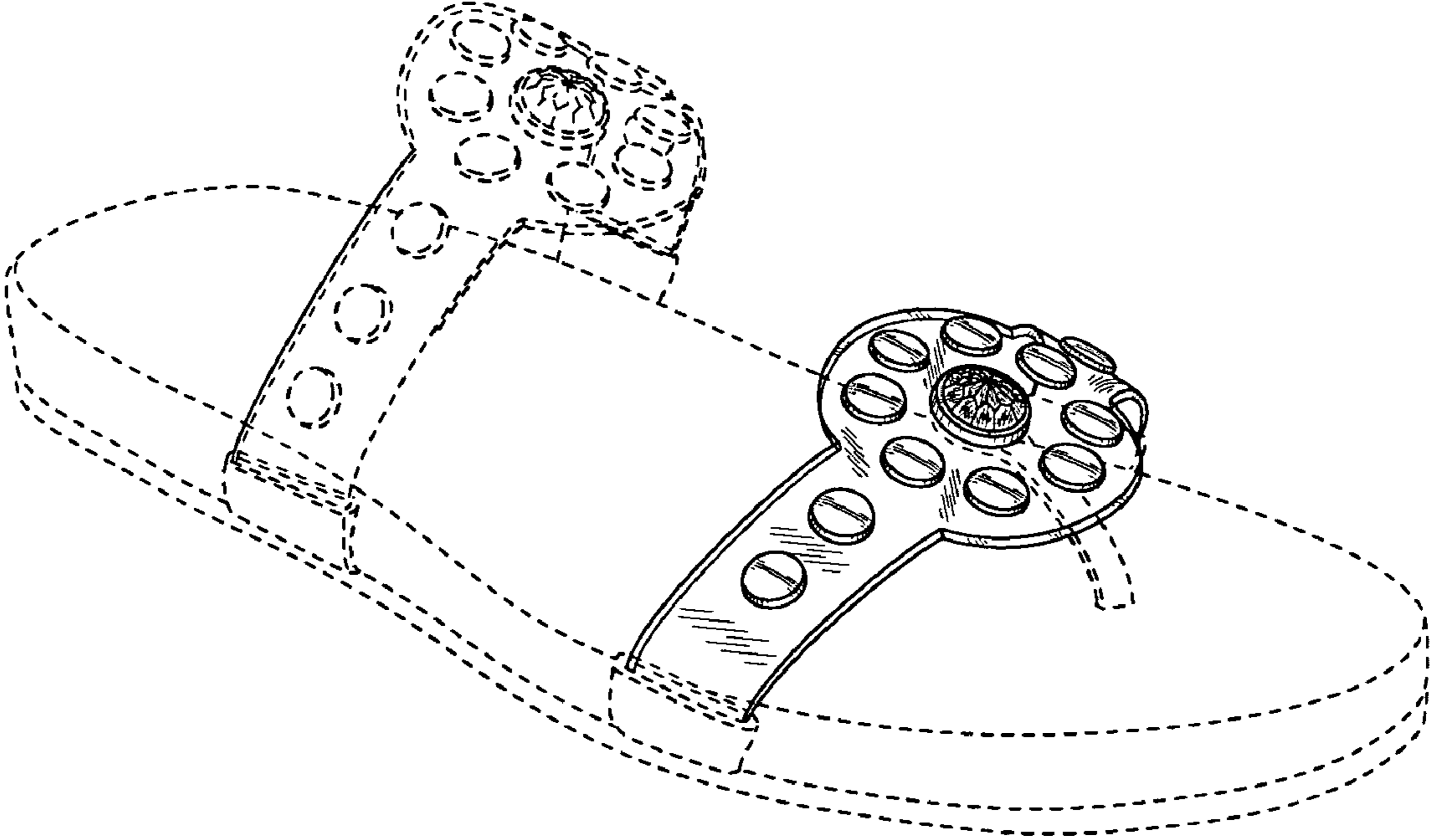


FIG. 6

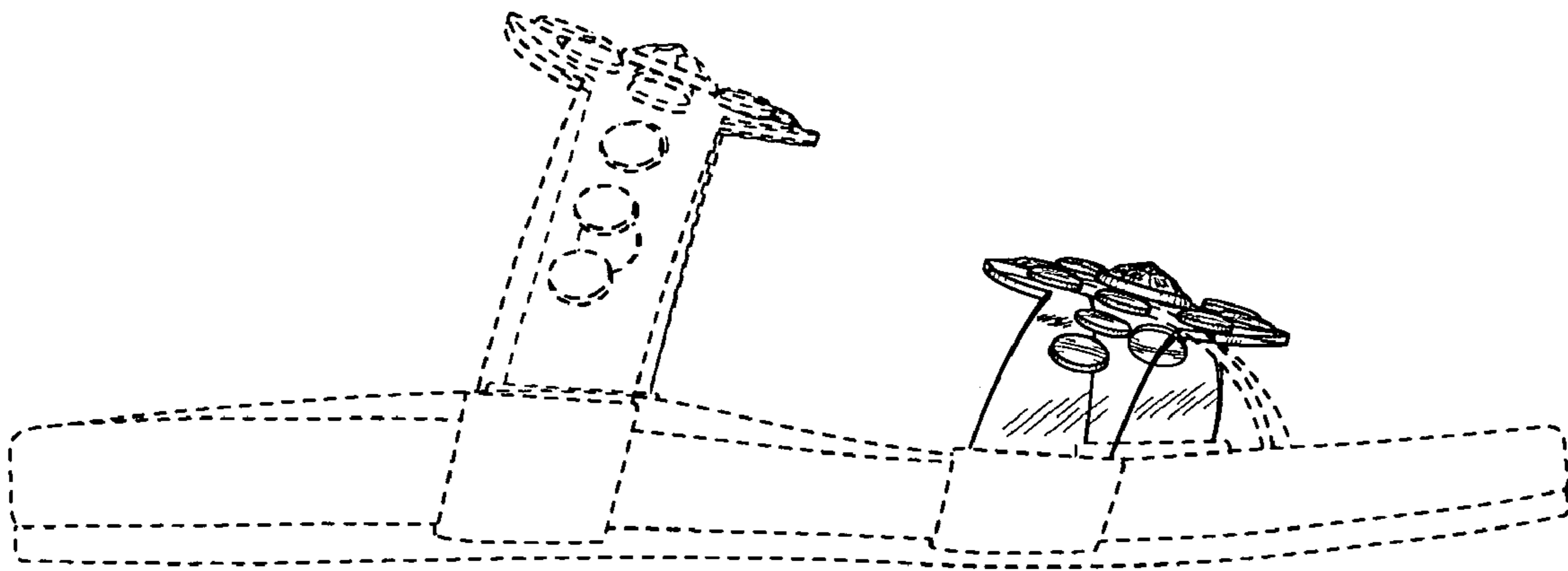


FIG. 7

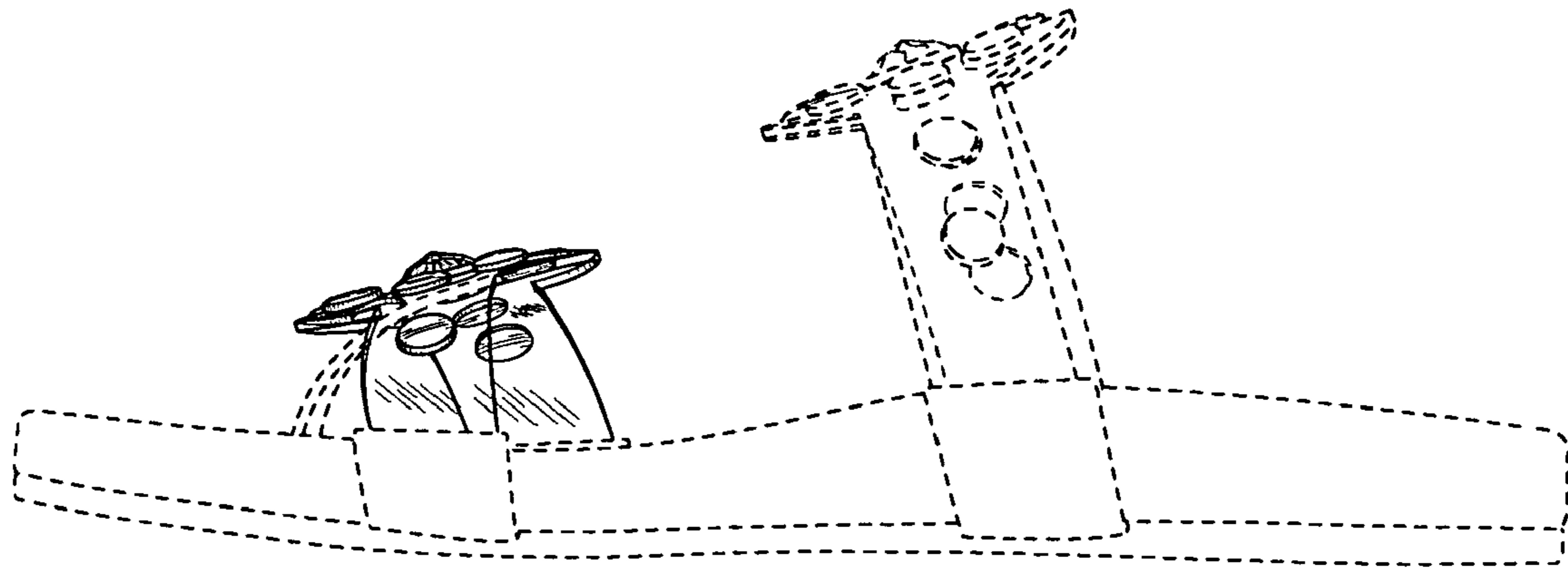


FIG. 8

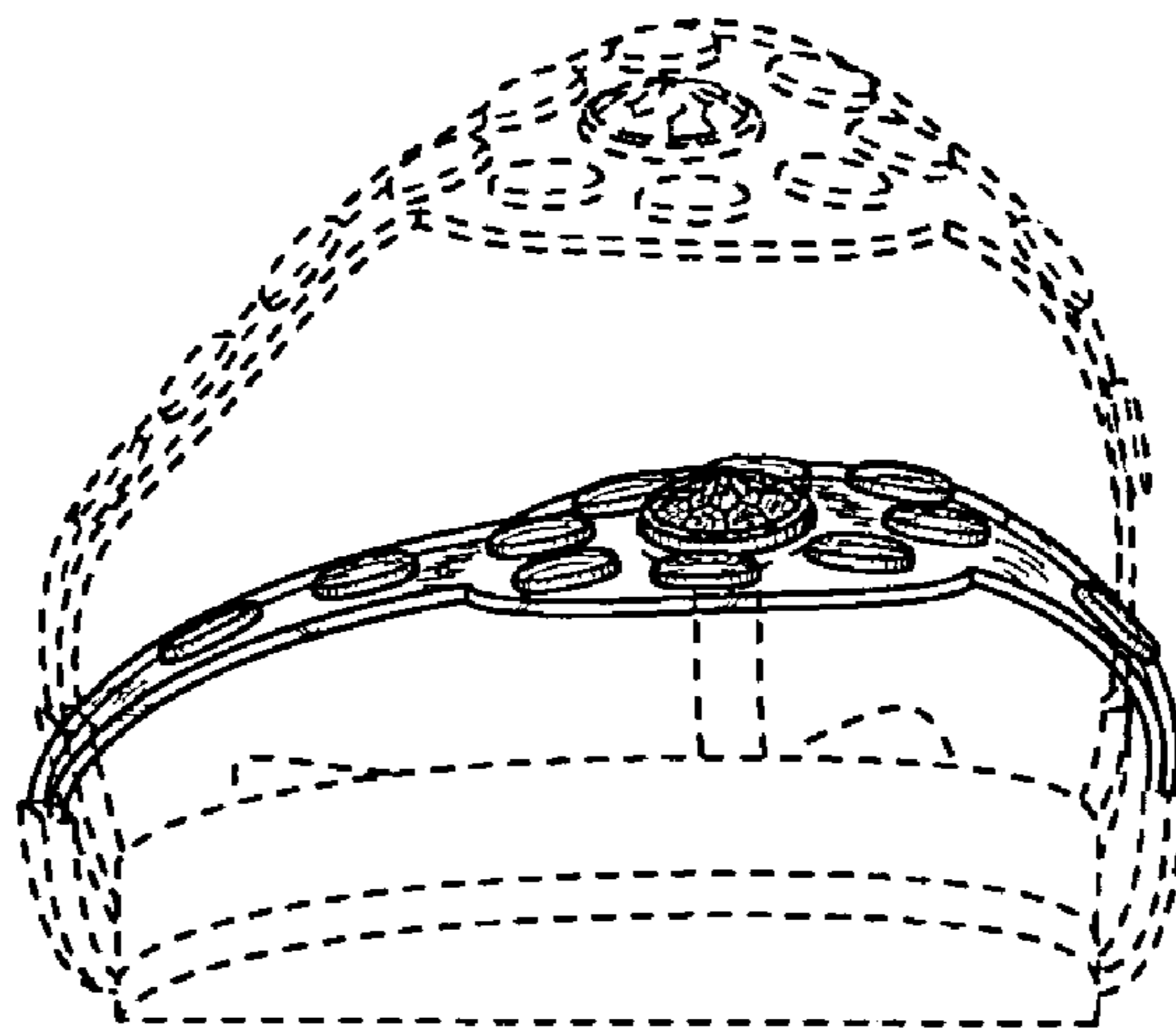


FIG. 9

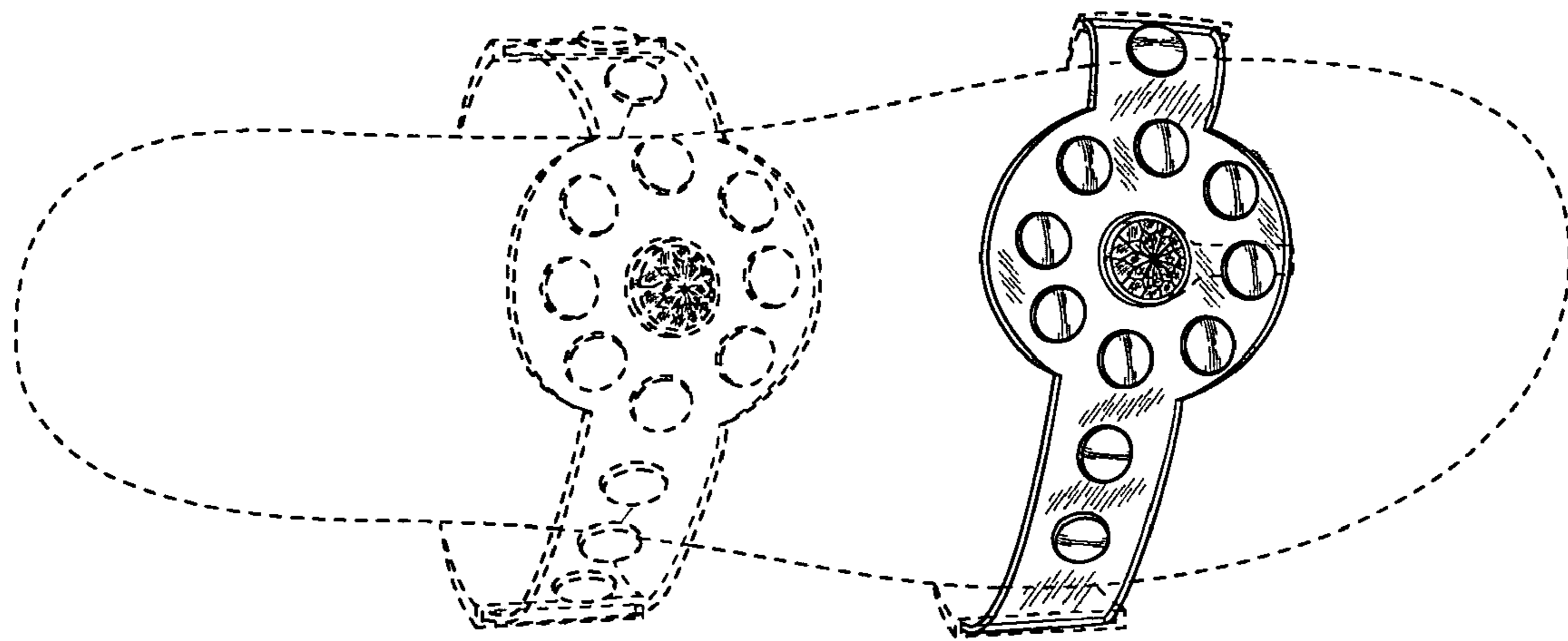


FIG. 10

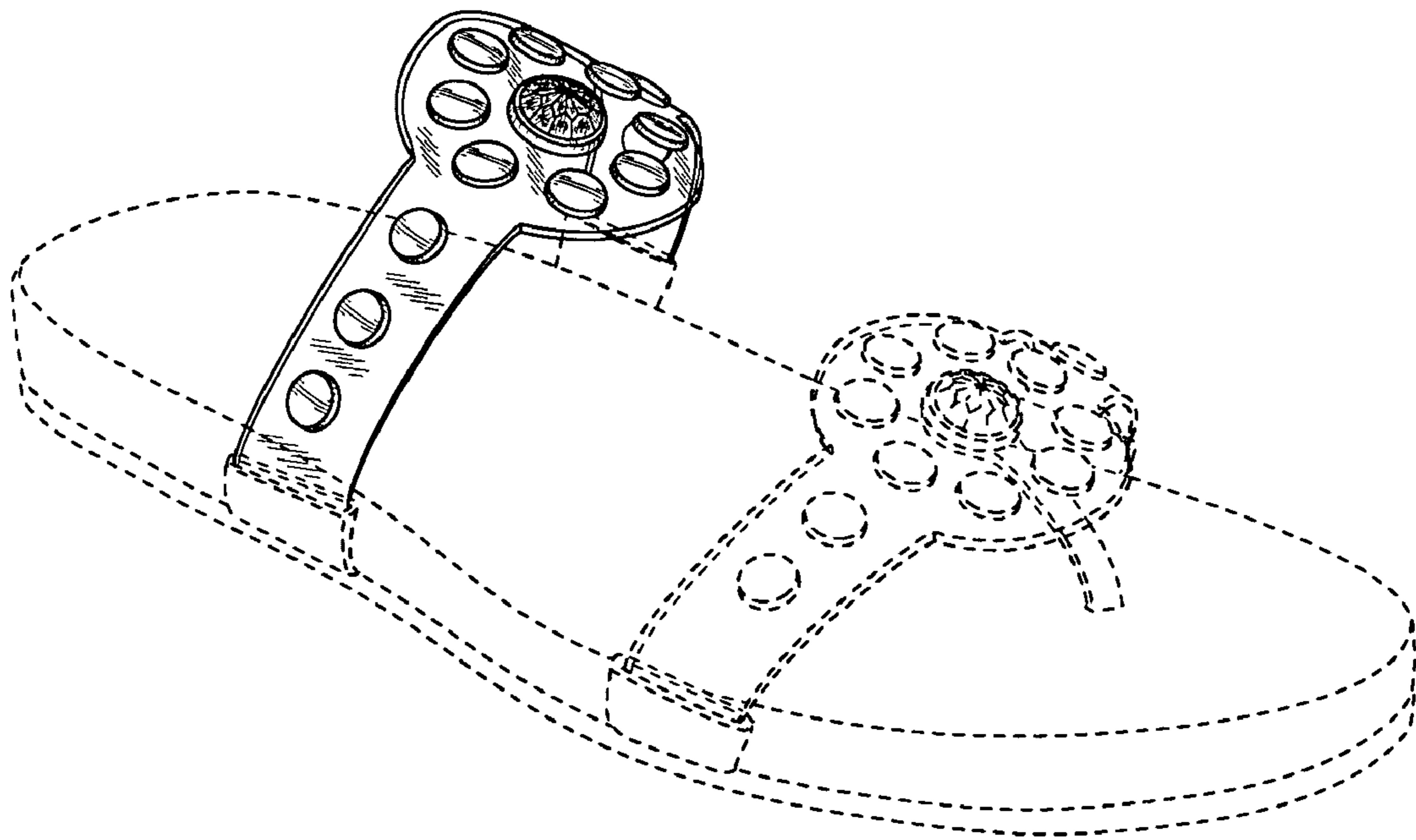


FIG. 11

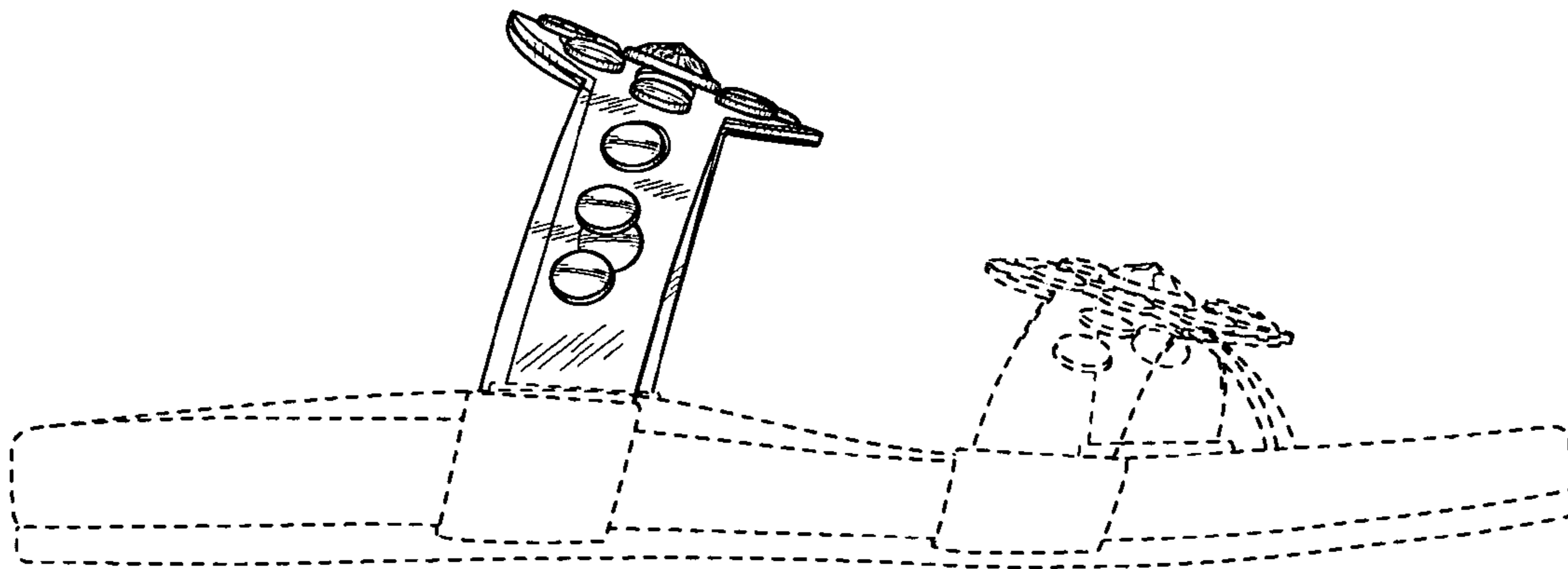


FIG. 12

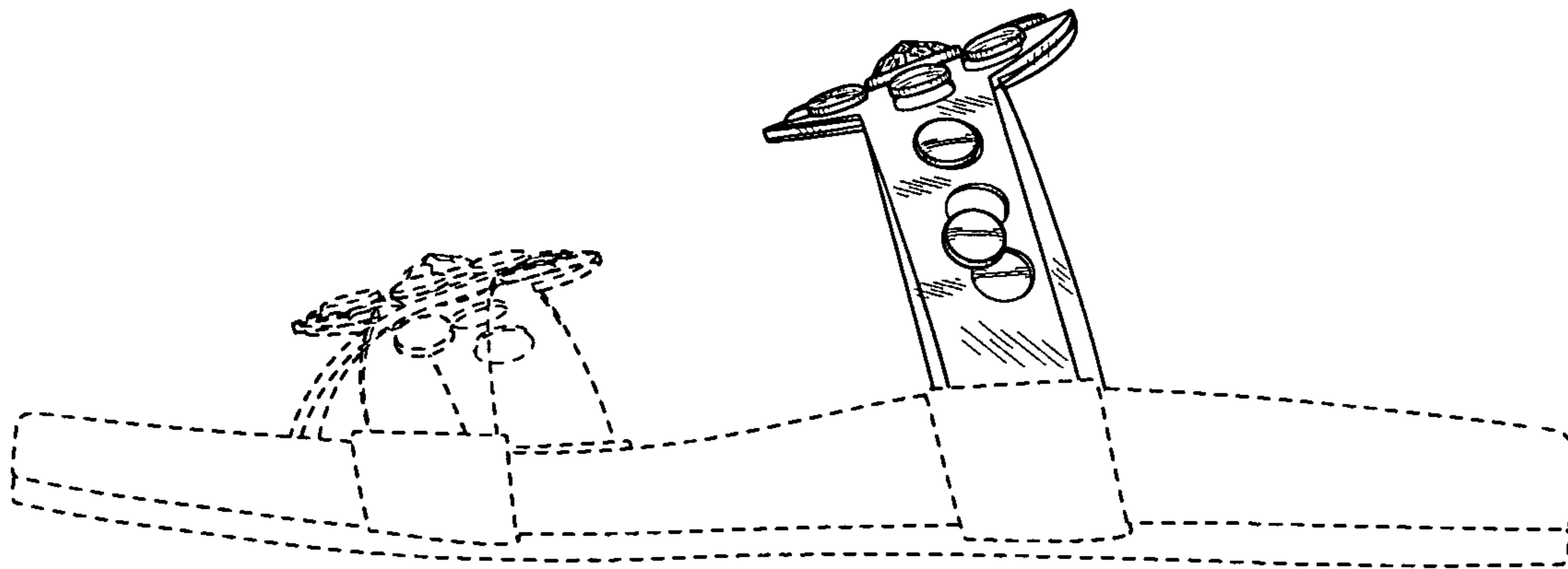


FIG. 13

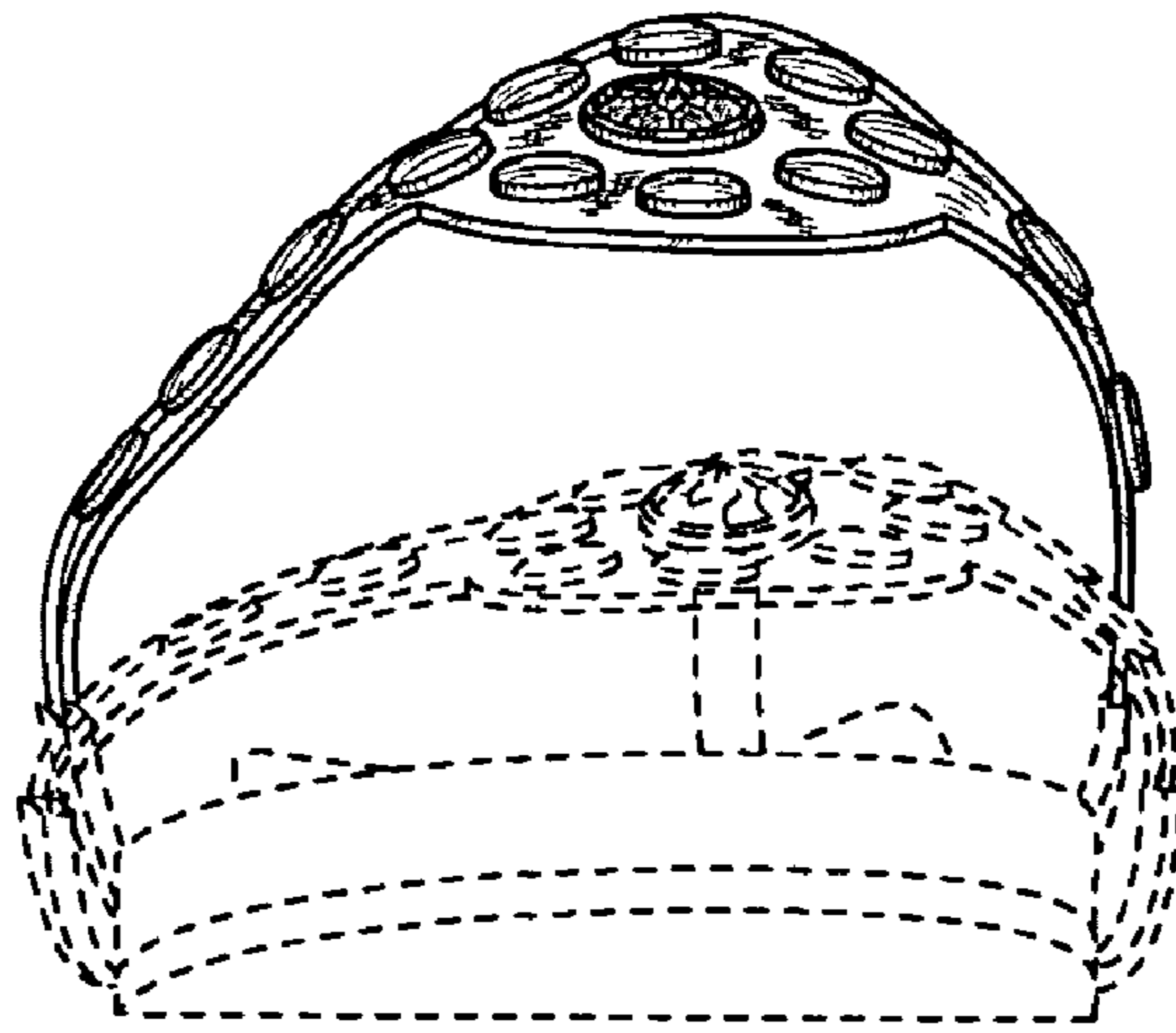


FIG. 14

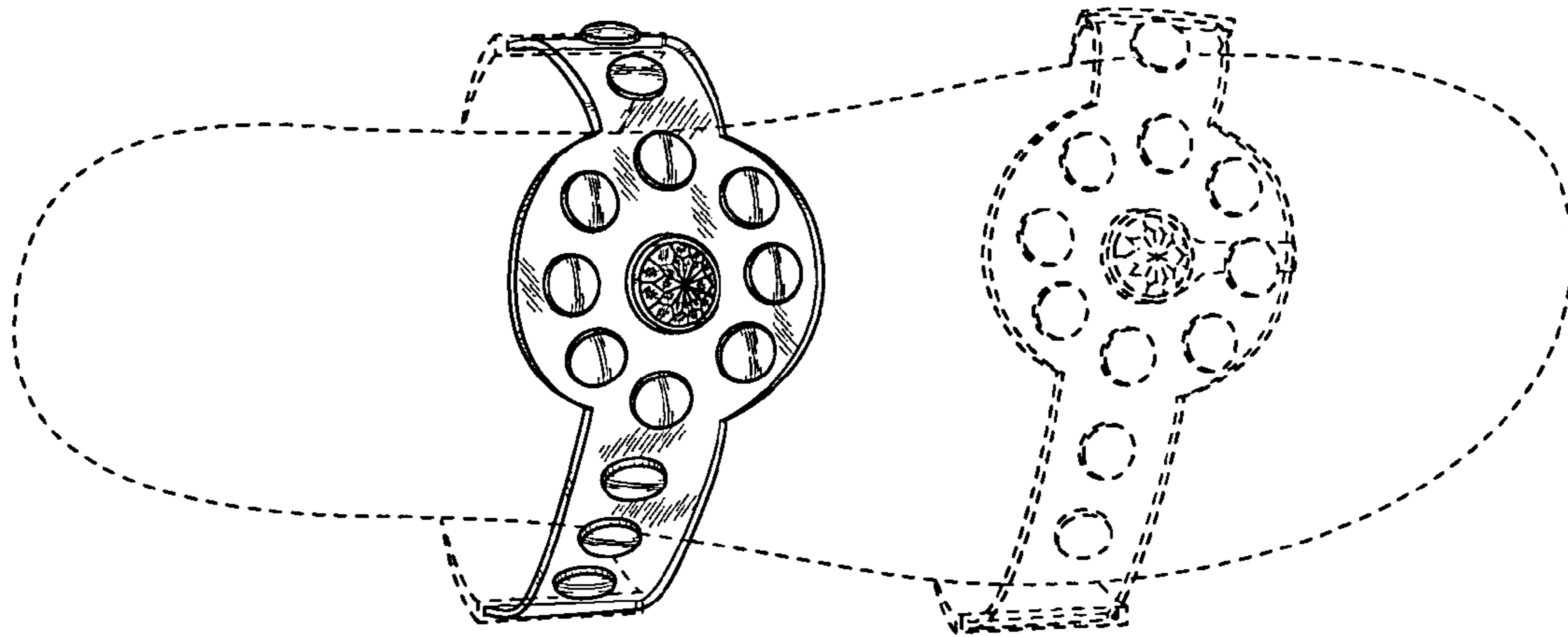


FIG. 15