

US00D576373S

(12) **United States Design Patent**
Whiteside et al.

(10) **Patent No.:** **US D576,373 S**
(45) **Date of Patent:** **** Sep. 2, 2008**

(54) **CREEPER**

(75) Inventors: **Kirt E. Whiteside**, Marion, OH (US);
Shane Obitts, Elyria, OH (US); **Kristin C. Mays**, Delaware, OH (US)

(73) Assignee: **Whiteside Mfg. Co.**, Delaware, OH (US)

(**) Term: **14 Years**

(21) Appl. No.: **29/307,558**

(22) Filed: **Apr. 28, 2008**

Related U.S. Application Data

(62) Division of application No. 29/288,419, filed on Jun. 12, 2007, now Pat. No. Des. 570,572.

(51) **LOC (8) Cl.** **12-02**

(52) **U.S. Cl.** **D34/23**

(58) **Field of Classification Search** D34/1-27;
280/79.2, 79.5, 19.4, 79.11, 32.6, 79.1
See application file for complete search history.

(56) **References Cited**

U.S. PATENT DOCUMENTS

D325,799 S	4/1992	Chen	D34/23
D330,619 S	10/1992	Gilbert et al.	D34/23
D351,707 S	10/1994	Pill	D34/23
D354,599 S	1/1995	Young	D34/23
D401,714 S	11/1998	Whiteside et al.	D34/23
D401,724 S	11/1998	Whiteside et al.	D34/23
D402,432 S	12/1998	Harris	D34/23

D403,824 S	1/1999	Harris	D34/23
D403,825 S	1/1999	Harris	D34/23
D406,684 S	3/1999	Pool et al.	D34/23
D417,937 S	12/1999	Harris	D34/23
6,345,828 B1	2/2002	Pool et al.	280/32.6
D469,592 S	1/2003	Brimhall et al.	D34/23
D525,007 S	7/2006	Forbis	D34/23
D532,177 S	11/2006	Hernandez	D34/23
D569,572 S *	5/2008	Davison et al.	D34/23
D570,572 S *	6/2008	Whiteside et al.	D34/23
2006/0192355 A1	8/2006	Hulden et al.	280/32.6
2006/0237922 A1	10/2006	Forbis	280/32.6

* cited by examiner

Primary Examiner—Cynthia E Ramirez

(74) *Attorney, Agent, or Firm*—Renner, Kenner, Greive, Bobak, Taylor & Weber

(57) **CLAIM**

The ornamental design for a creeper, as shown and described.

DESCRIPTION

FIG. 1 is a top, right side, rear perspective view of a creeper showing our new design;

FIG. 2 is a top plan view thereof;

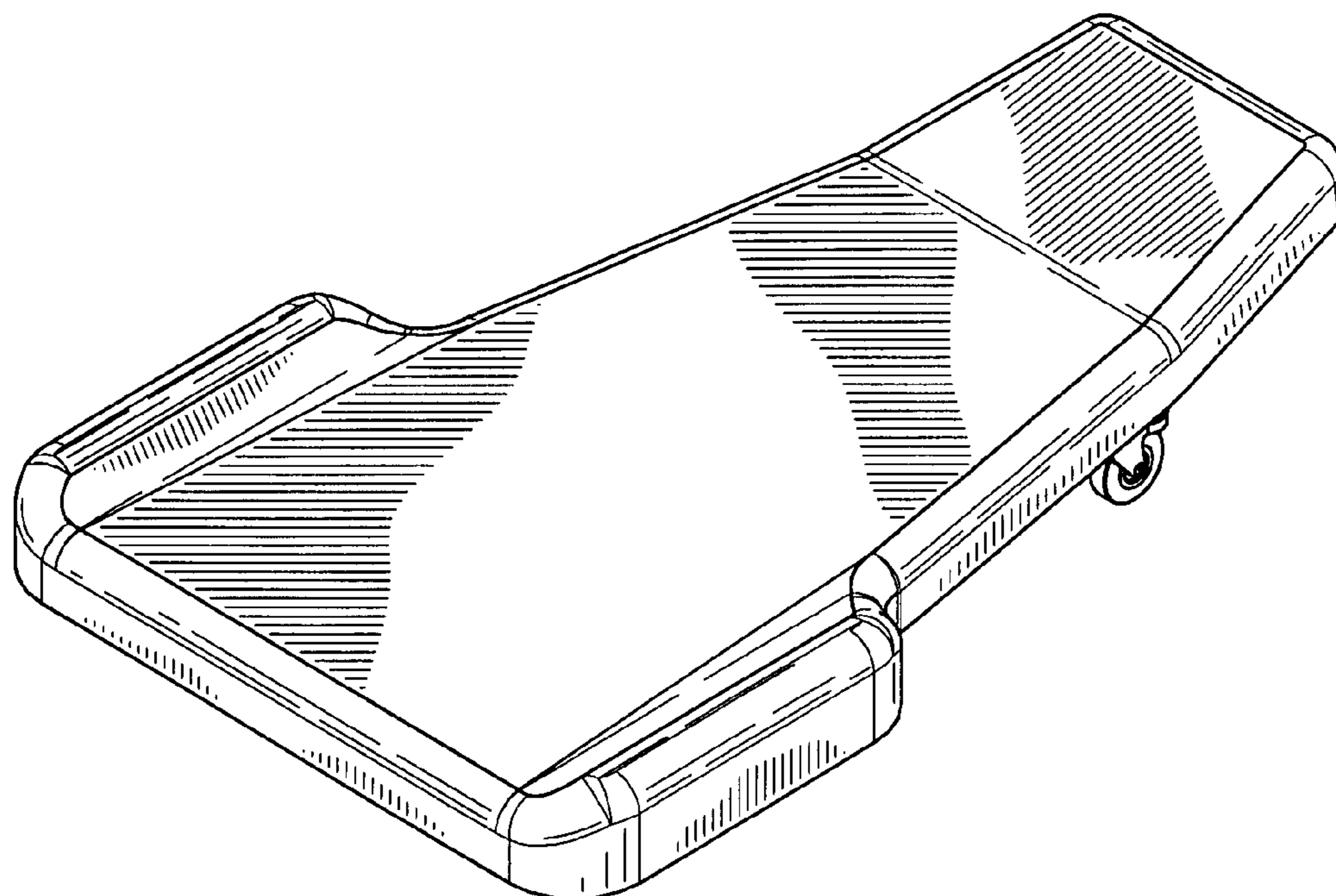
FIG. 3 is a right side elevational view thereof, the left side being a mirror image of FIG. 3;

FIG. 4 is a front elevational view thereof;

FIG. 5 is a bottom plan view thereof; and,

FIG. 6 is a rear elevational view thereof.

1 Claim, 3 Drawing Sheets



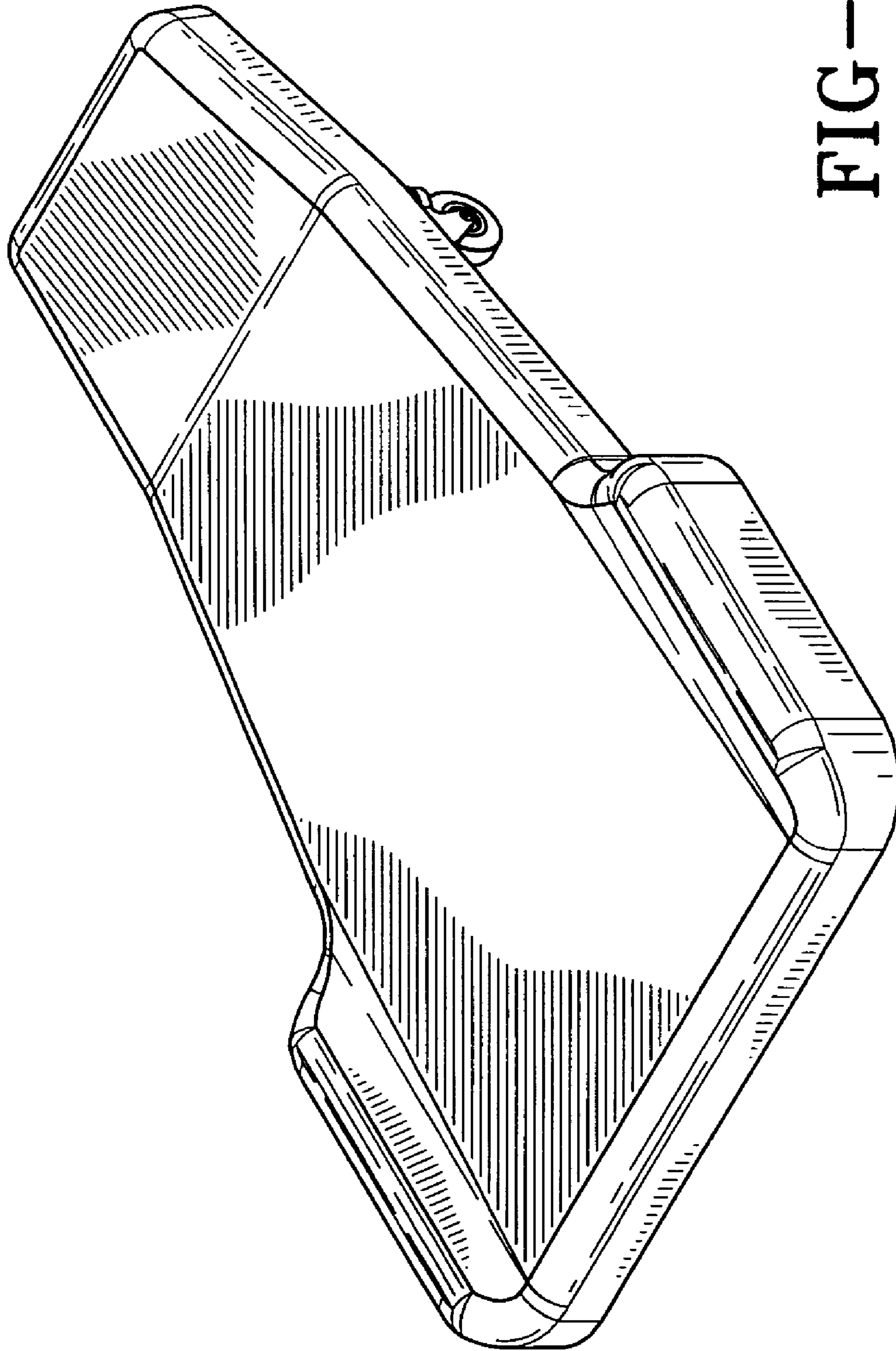


FIG-1

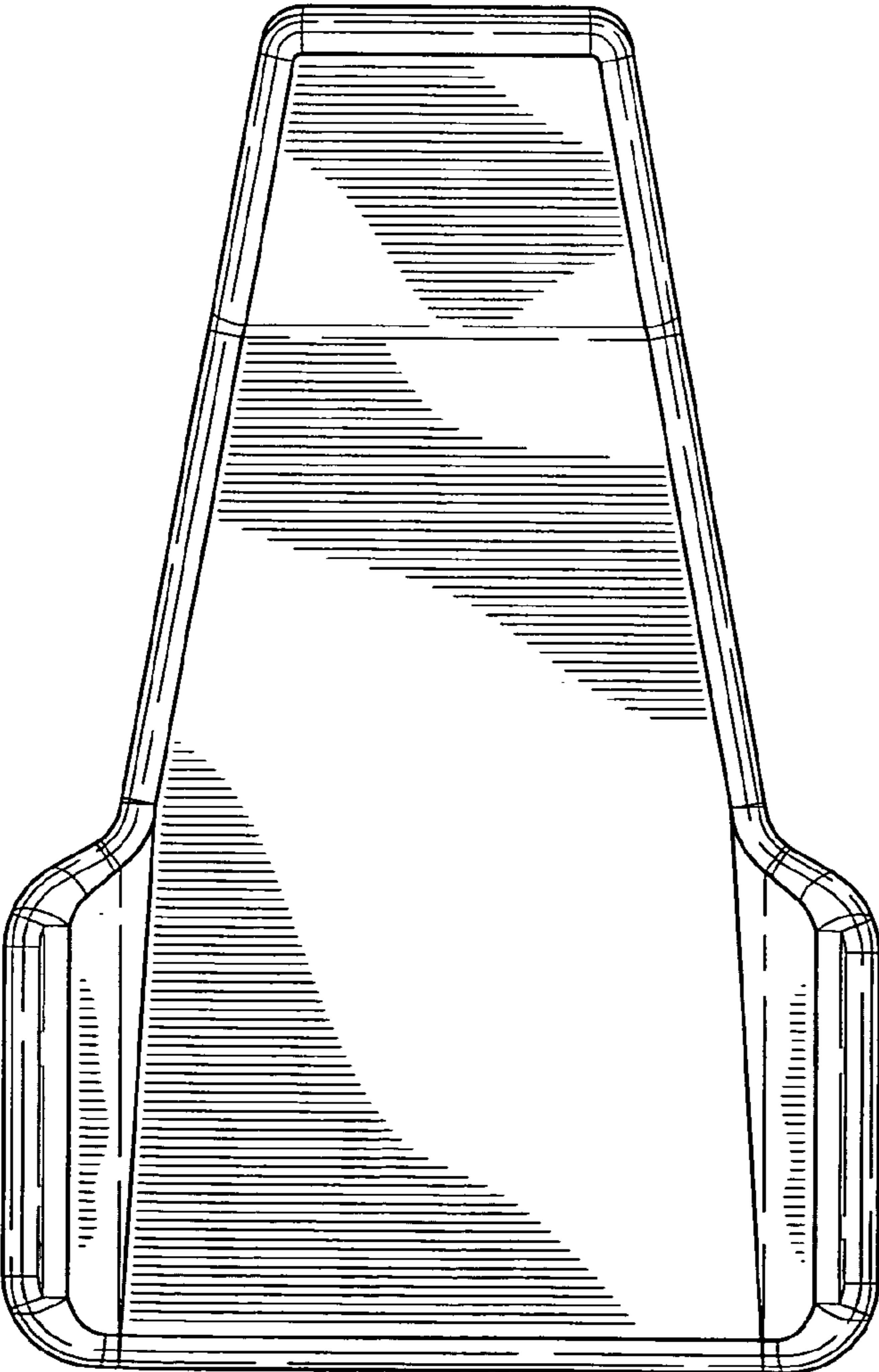


FIG-2

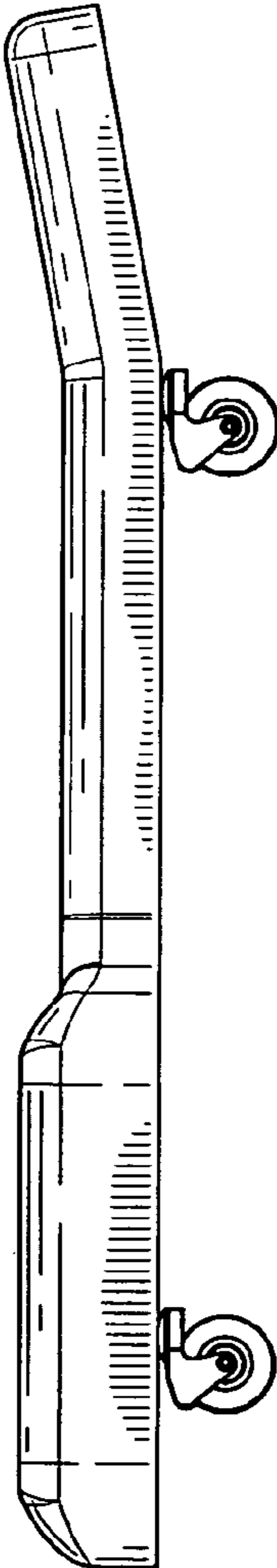


FIG-3

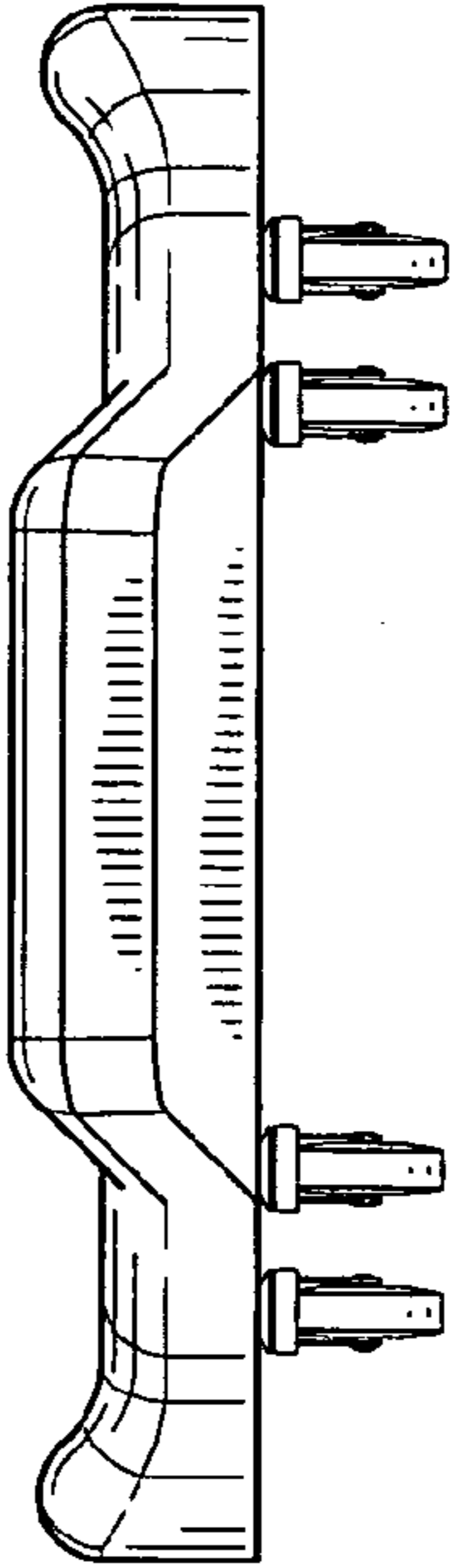


FIG-4

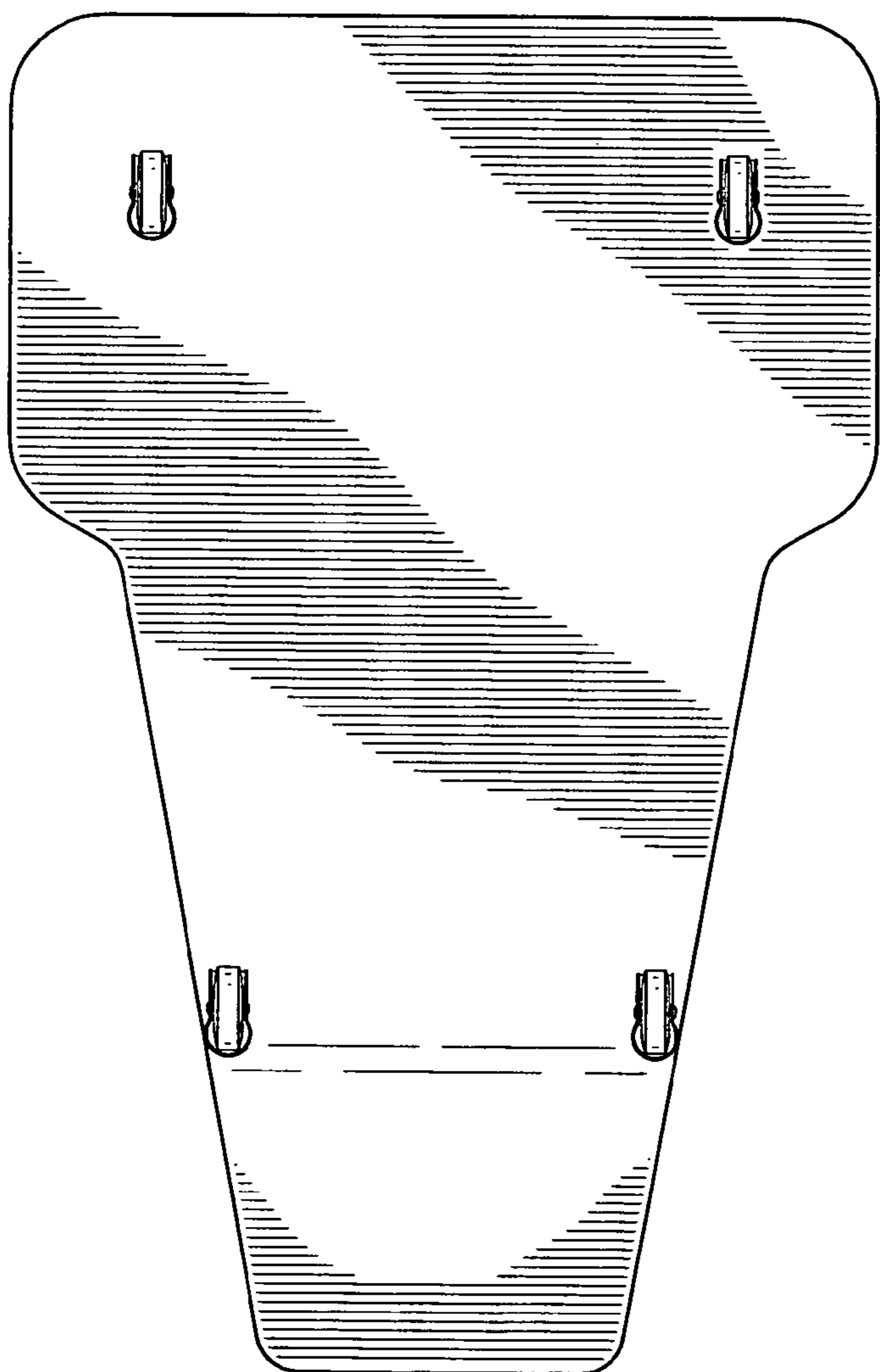


FIG-5

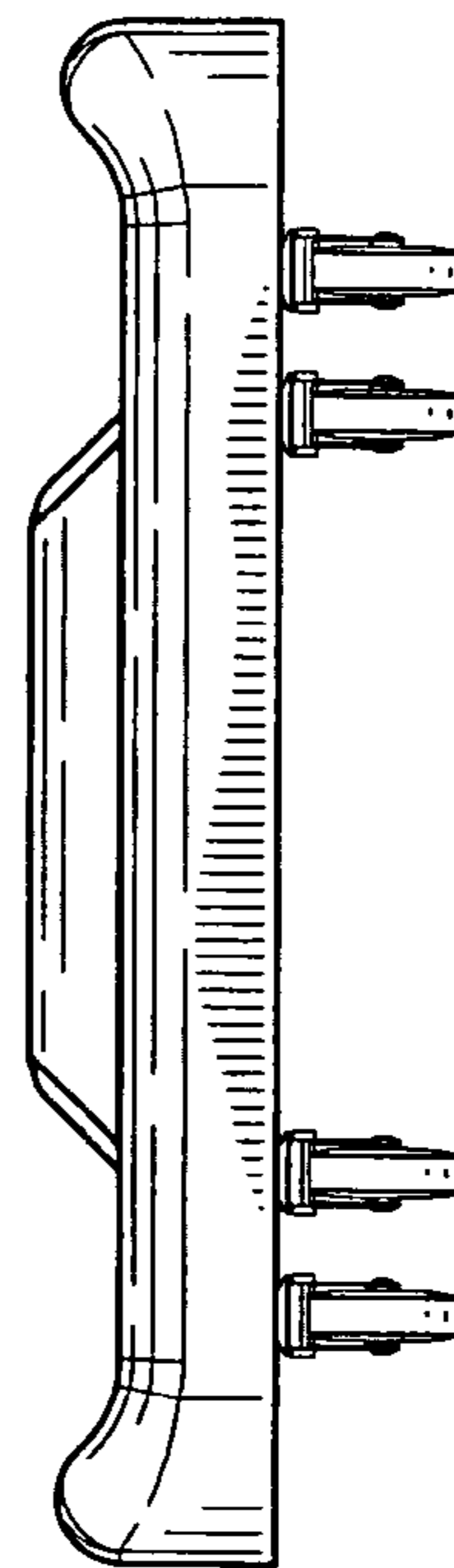


FIG-6