



US00D576372S

(12) **United States Design Patent**  
**Walter**

(10) **Patent No.:** **US D576,372 S**  
(45) **Date of Patent:** **\*\* Sep. 2, 2008**

(54) **SHOPPING CART**

D407,882 S 4/1999 Duchene  
D415,600 S 10/1999 Hsieh et al.  
6,126,181 A 10/2000 Ondrasik

(75) Inventor: **Ivor Michel Walter**, Boulder, CO (US)

(73) Assignee: **AMSA, Inc.**, Boulder, CO (US)

(\*\*) Term: **14 Years**

(21) Appl. No.: **29/275,292**

(22) Filed: **Dec. 20, 2006**

(51) **LOC (8) Cl.** ..... **12-02**

(52) **U.S. Cl.** ..... **D34/17**

(58) **Field of Classification Search** ..... D34/12-27;  
280/33.991, 33.992, 33.993, 33.995, 33.996,  
280/33.997, 47.35, 47.34, 79.3

See application file for complete search history.

(56) **References Cited**

**U.S. PATENT DOCUMENTS**

2,764,419 A	9/1956	Enders	
2,958,537 A	11/1960	Young	
3,337,227 A	8/1967	Castaldo	
3,429,403 A	2/1969	Drechsler	
3,645,554 A	2/1972	Von Stein et al.	
3,885,806 A	5/1975	Trubiano	
D238,663 S	2/1976	Schifman	
D240,297 S	6/1976	Trubiano	
D246,301 S	11/1977	Trubiano	
D280,858 S	10/1985	Muellner et al.	
D282,499 S	2/1986	Alstrom	
4,726,596 A	2/1988	Ulmer	
4,826,186 A *	5/1989	Hagelin	280/33.994
4,850,604 A	7/1989	Le Marchand et al.	
D331,135 S	11/1992	Lewandowski et al.	
D348,549 S	7/1994	Trubiano	
5,435,582 A	7/1995	Davidson	
D365,904 S	1/1996	Adamson et al.	
D367,348 S	2/1996	Basharat	
5,507,507 A	4/1996	Davidson	
5,595,394 A	1/1997	Adamson	
D379,834 S	6/1997	Huang	
D386,873 S	11/1997	D'Estaintot et al.	
D399,625 S	10/1998	Murphy et al.	

(Continued)

**OTHER PUBLICATIONS**

Customer and Stocking Cart with Plastic Deck Retractable Shelf pdf brochure of cart manufactured by Win-Holt. Cart shown is admitted to current design by Applicant.

Supercart & Superbasket Distributors, Scan of website showing carts manufactured by Supercart. Carts shown are admitted to current design by Applicant.

Technibilt Carts, Scan of website showing carts manufactured by Technibilt. Carts shown are admitted to current design by Applicant.

U.S. Appl. No. 29/237,794, filed Sep. 7, 2005; inventor: Ivor Walter.

U.S. Appl. No. 29/254,237, filed Feb. 17, 2006; inventor: Ivor Walter.

U.S. Appl. No. 29/275,141, filed Dec. 14; inventor: Ivor Walter.

*Primary Examiner*—Cynthia E Ramirez

(74) *Attorney, Agent, or Firm*—Margaret Polson; Patent Law Offices of Rick Martin, P.C

(57) **CLAIM**

The ornamental design for a shopping cart, as shown and described.

**DESCRIPTION**

FIG. 1 is a front perspective view of my new design for a shopping cart;

FIG. 2 is a front elevation view thereof;

FIG. 3 is a back elevation view thereof;

FIG. 4 is a right side elevation view, the left side being a mirror image thereof;

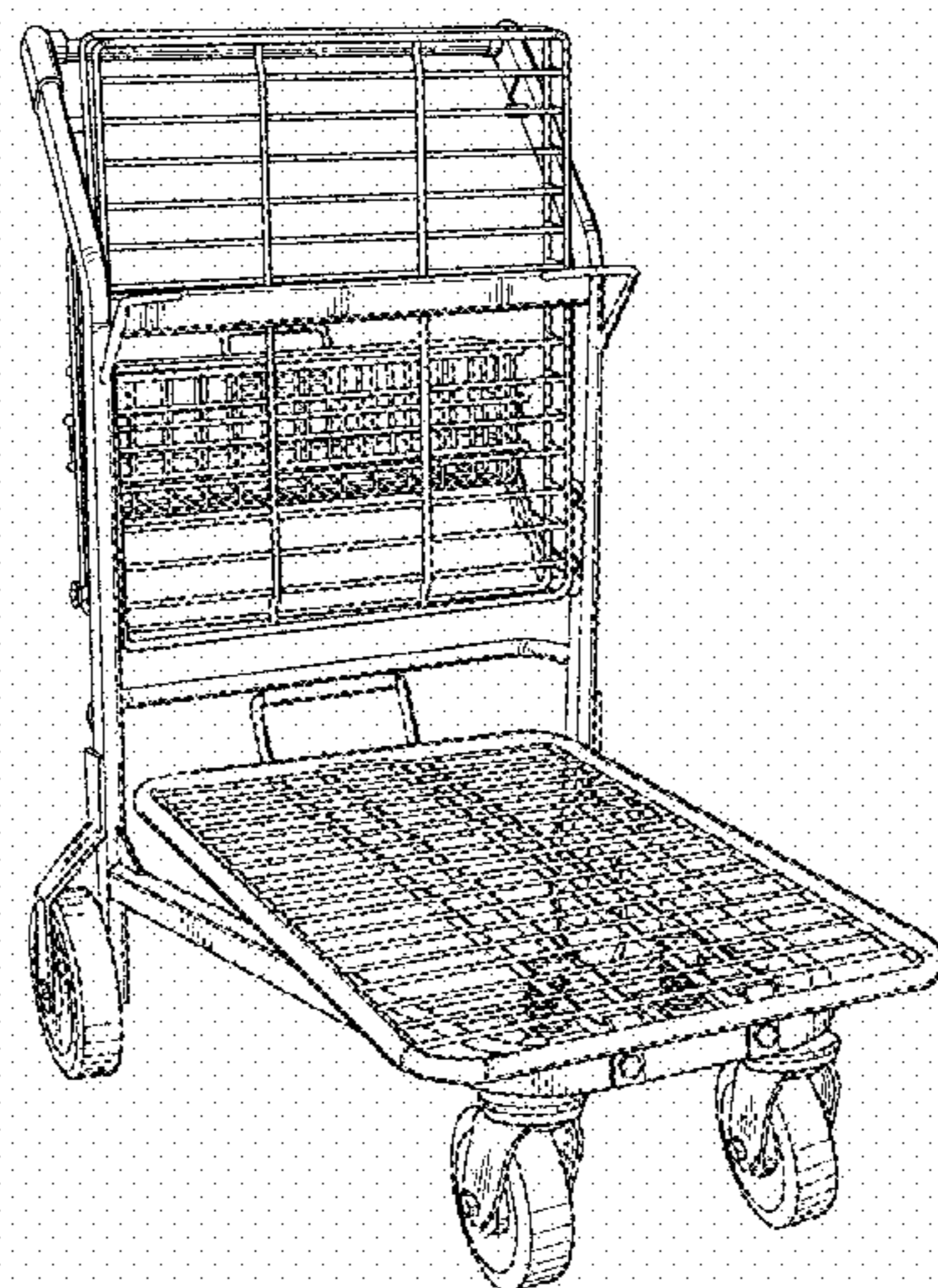
FIG. 5 is a top plan view thereof;

FIG. 6 is a bottom plan view thereof;

FIG. 7 is a front perspective view of the shopping cart with the top shelf and bottom shelf in their alternate positions; and,

FIG. 8 is a right elevation view, the left side being a mirror image thereof.

**1 Claim, 8 Drawing Sheets**



# US D576,372 S

Page 2

---

## U.S. PATENT DOCUMENTS

D449,913 S	10/2001	Walter	D493,932 S	8/2004	Prather et al.	
D455,243 S	4/2002	Walter	6,932,363 B2	8/2005	D'Angelo	
D472,026 S	3/2003	Walter	D542,997 S *	5/2007	Coderre .....	D34/17
D472,027 S	3/2003	Walter	D548,421 S *	8/2007	Walter .....	D34/17
6,644,674 B2	11/2003	Simard	2001/0022436 A1	9/2001	Simard	
			2003/0151219 A1	8/2003	Simard	

\* cited by examiner

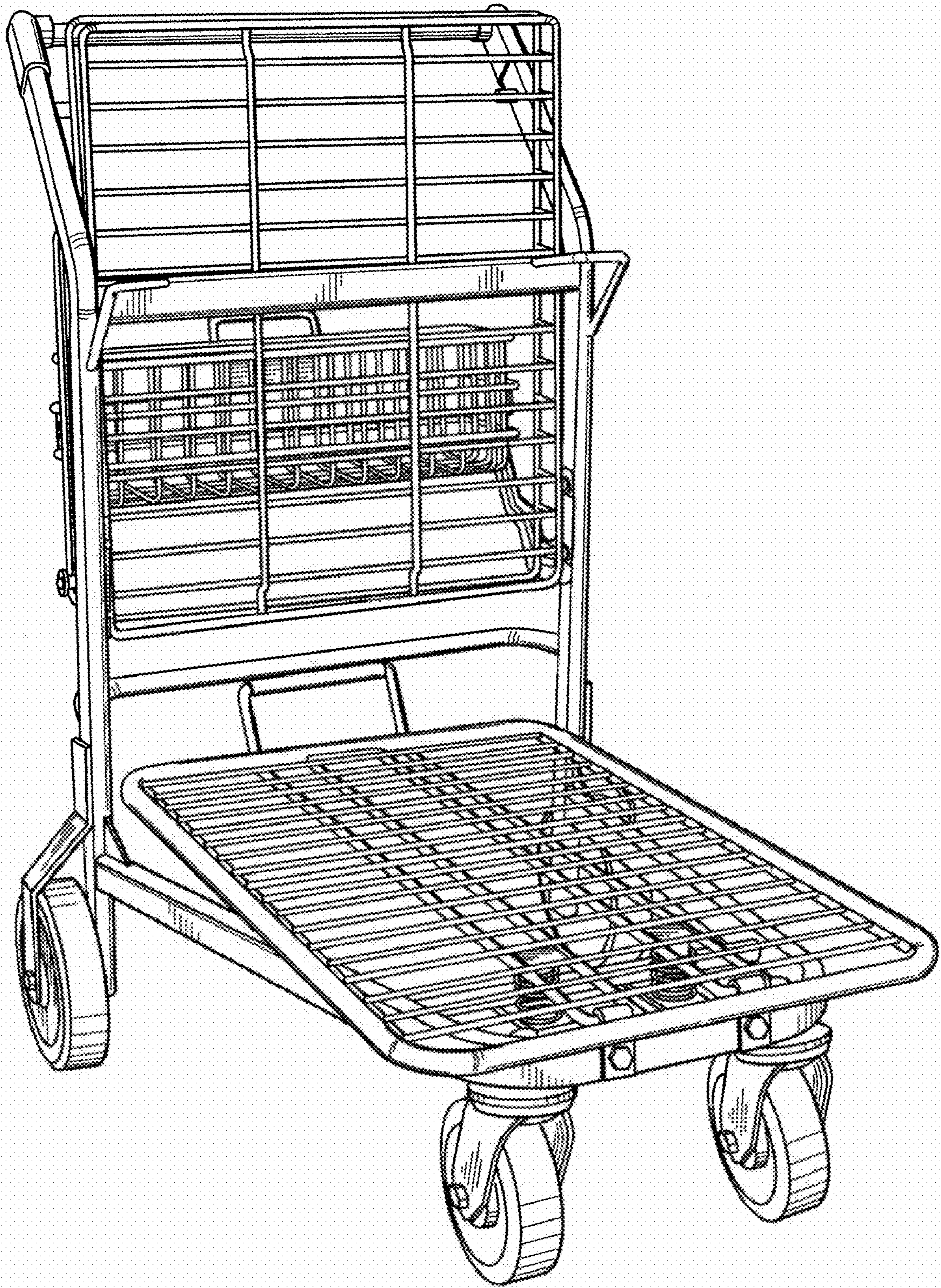


FIG.1

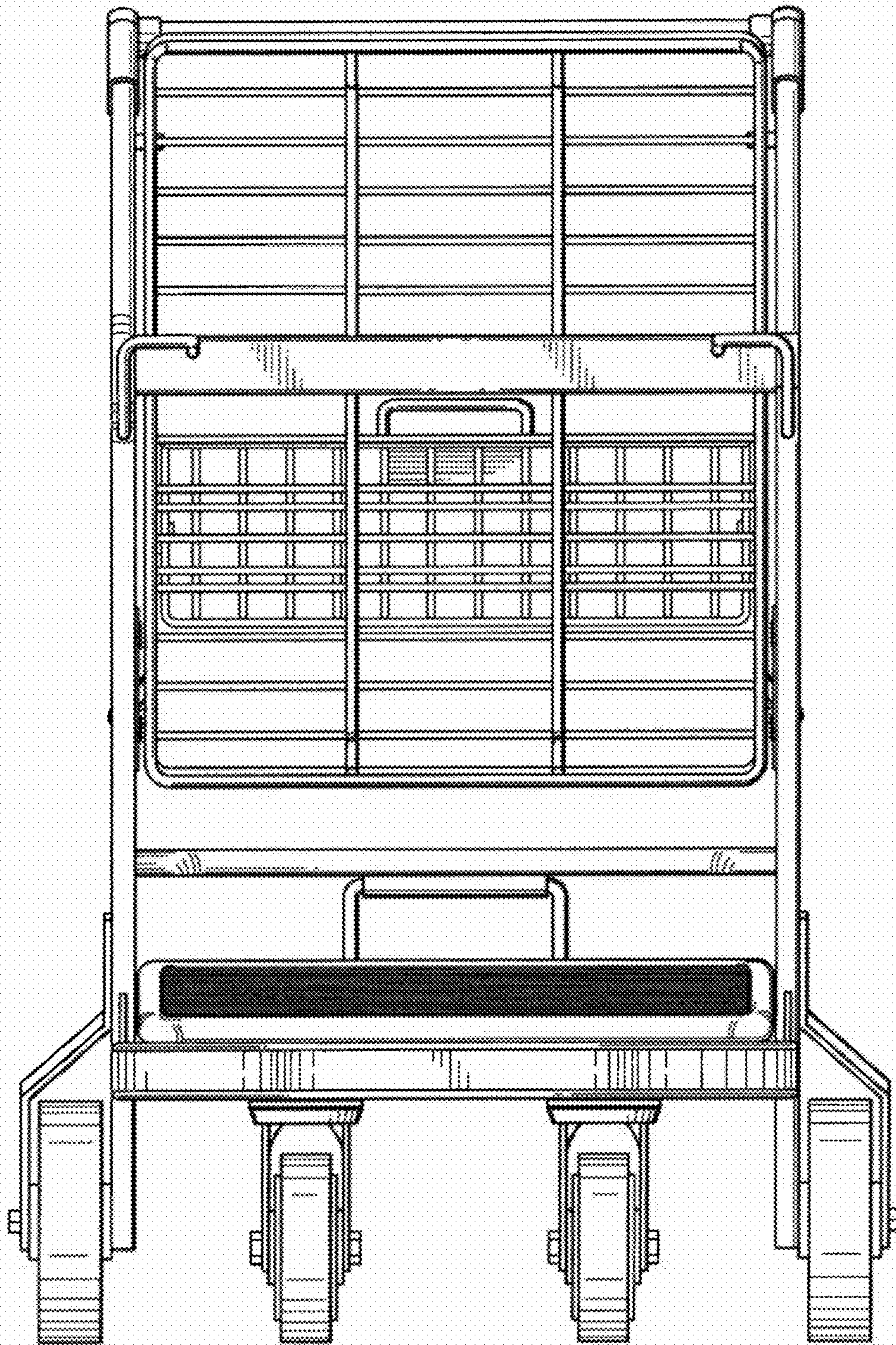


FIG.2

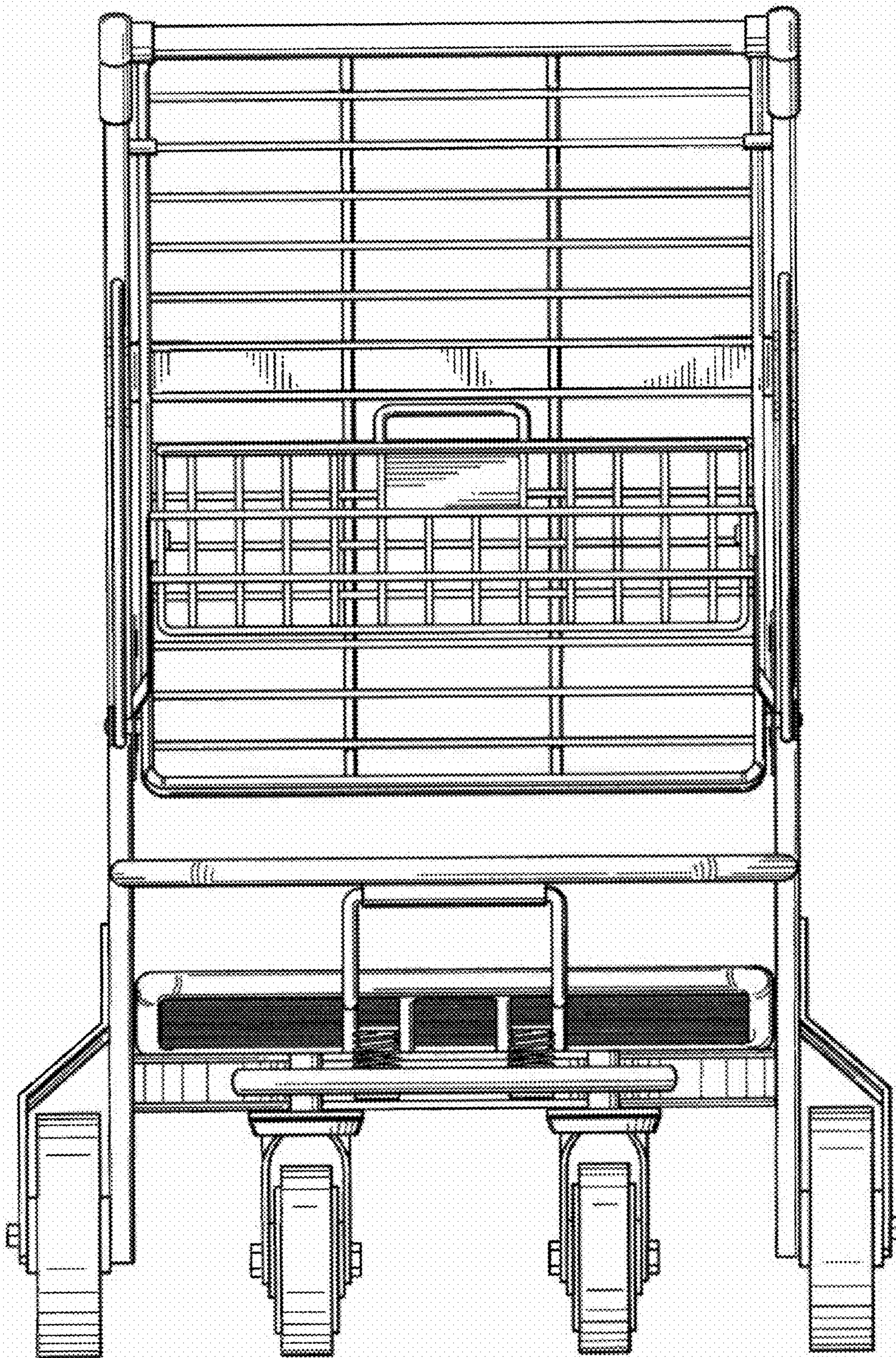


FIG.3

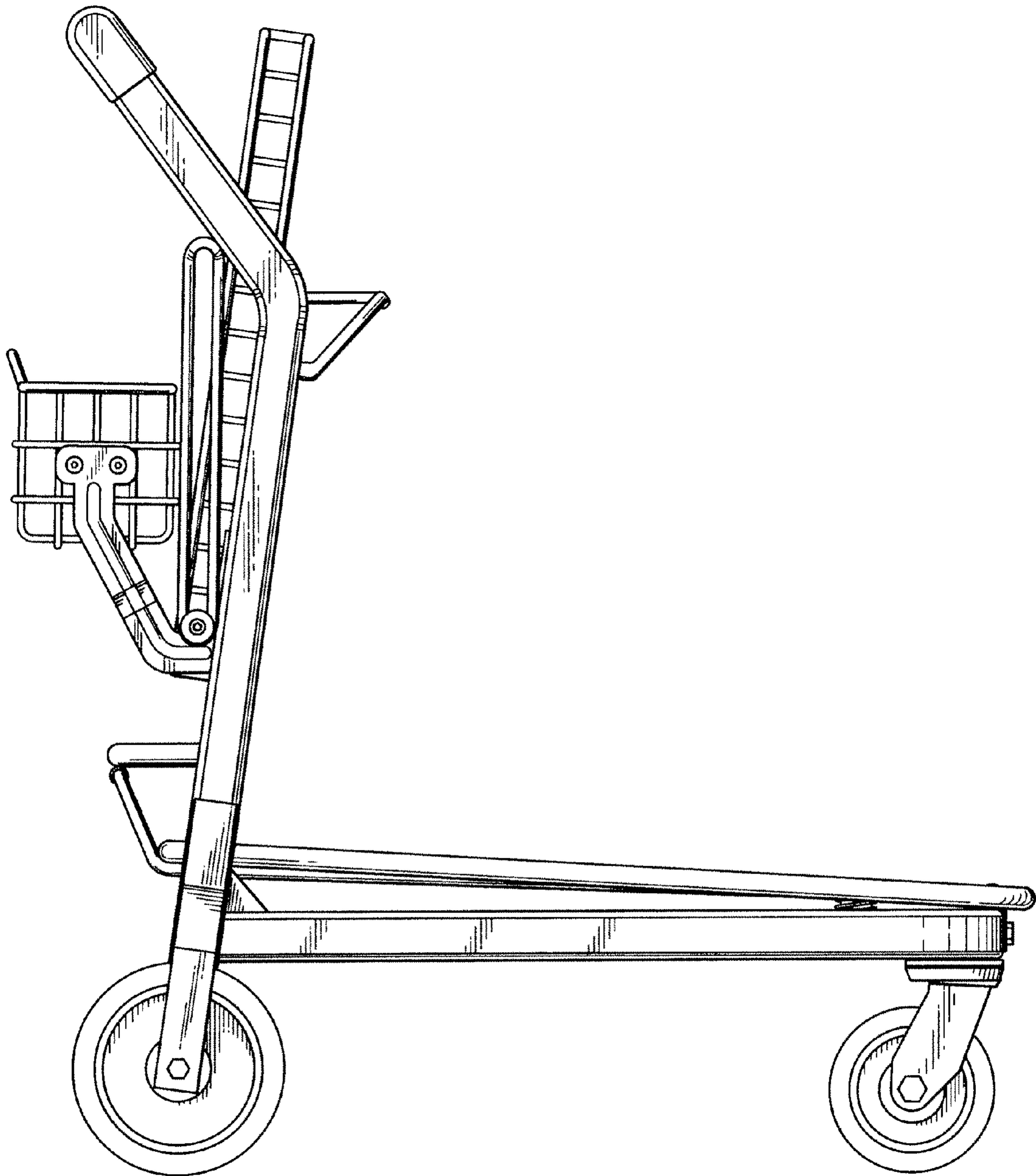


FIG. 4

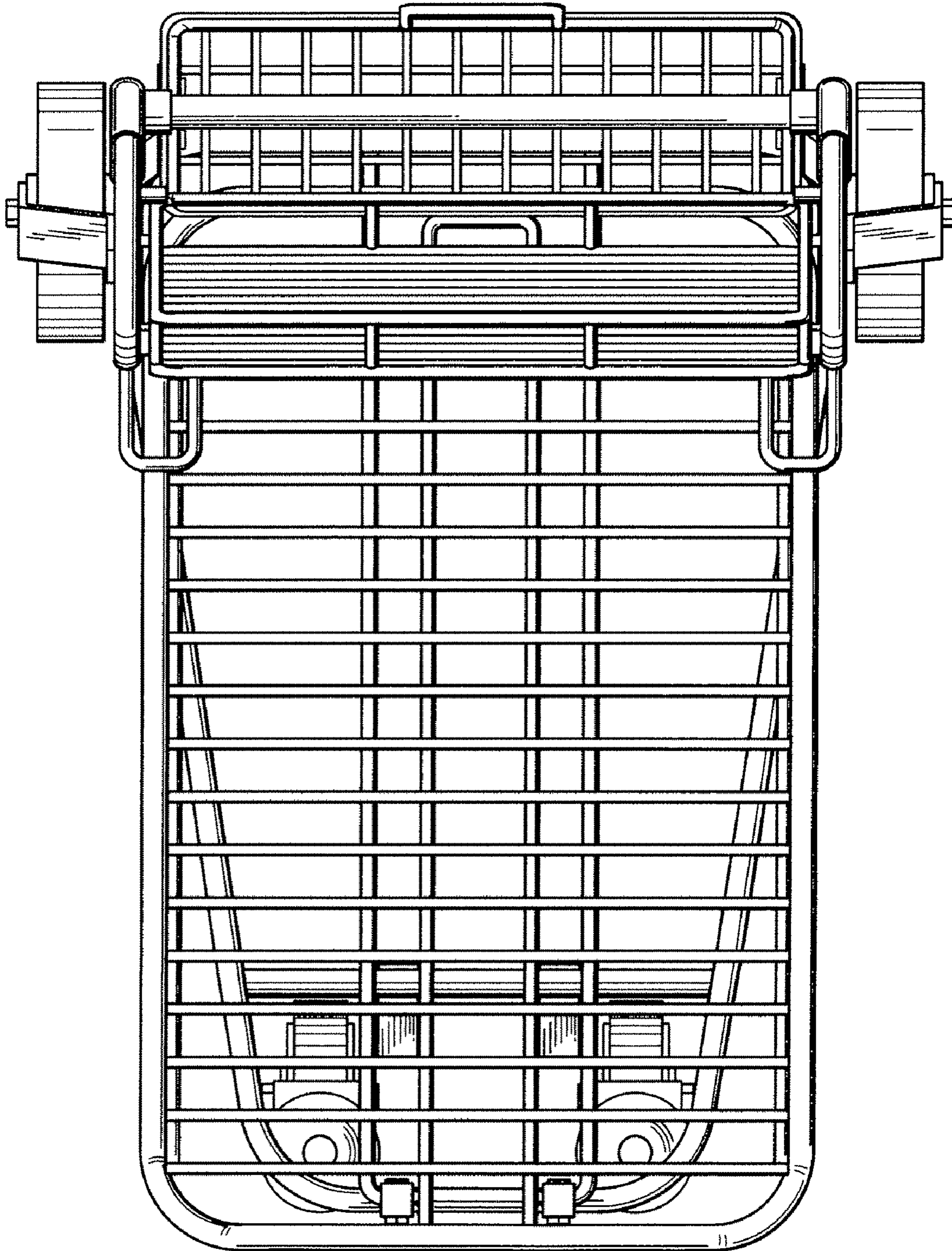


FIG.5

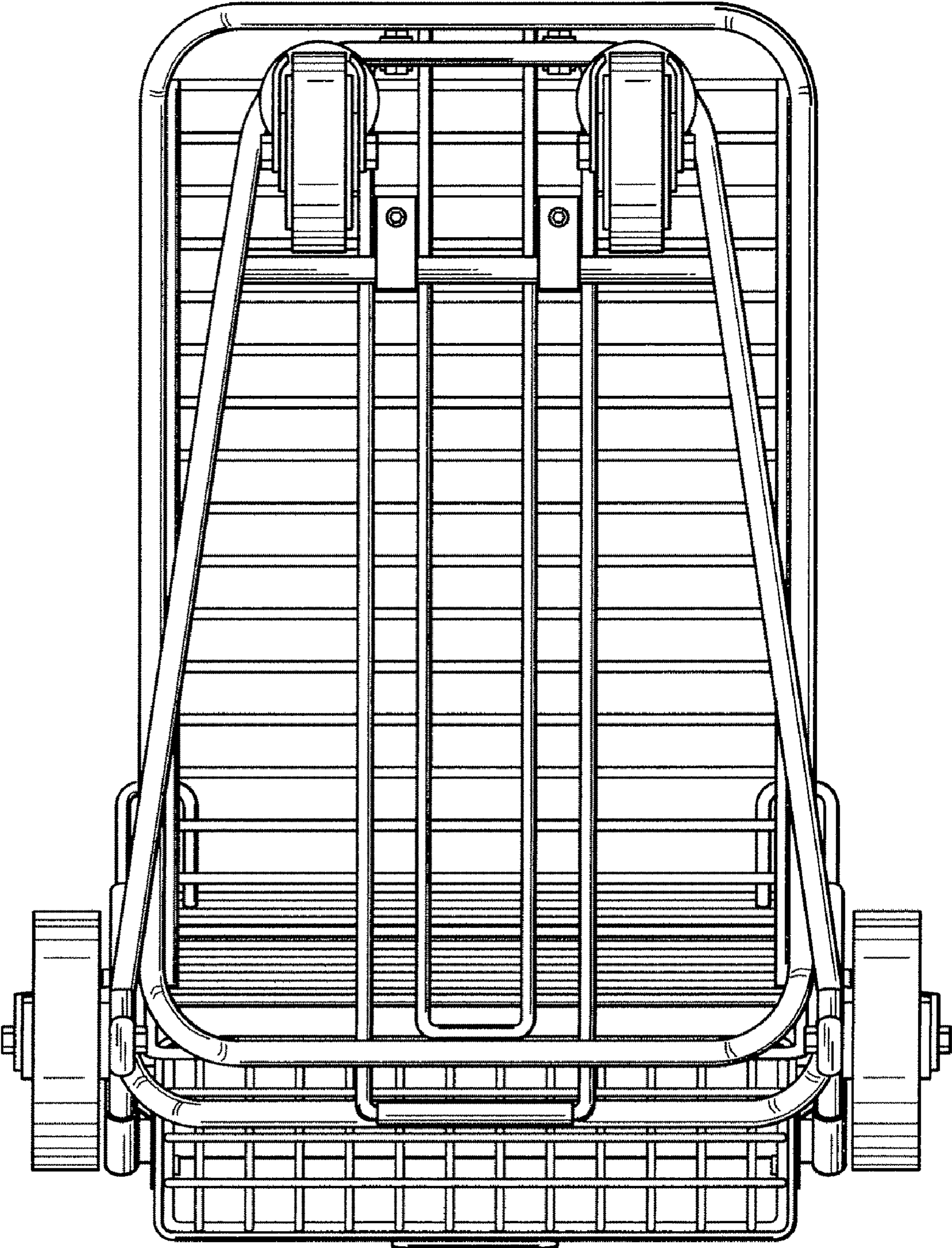


FIG.6



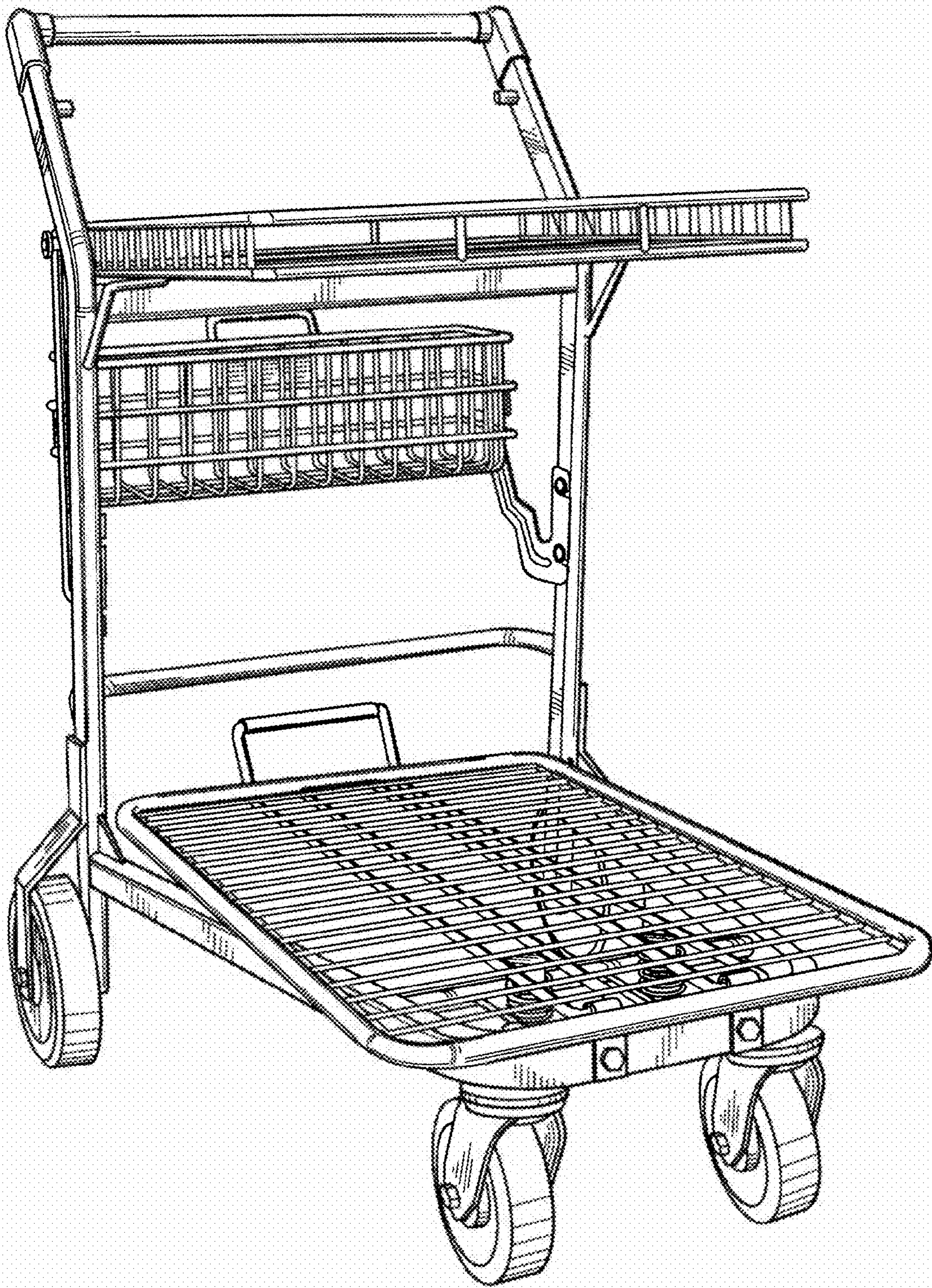


FIG.7

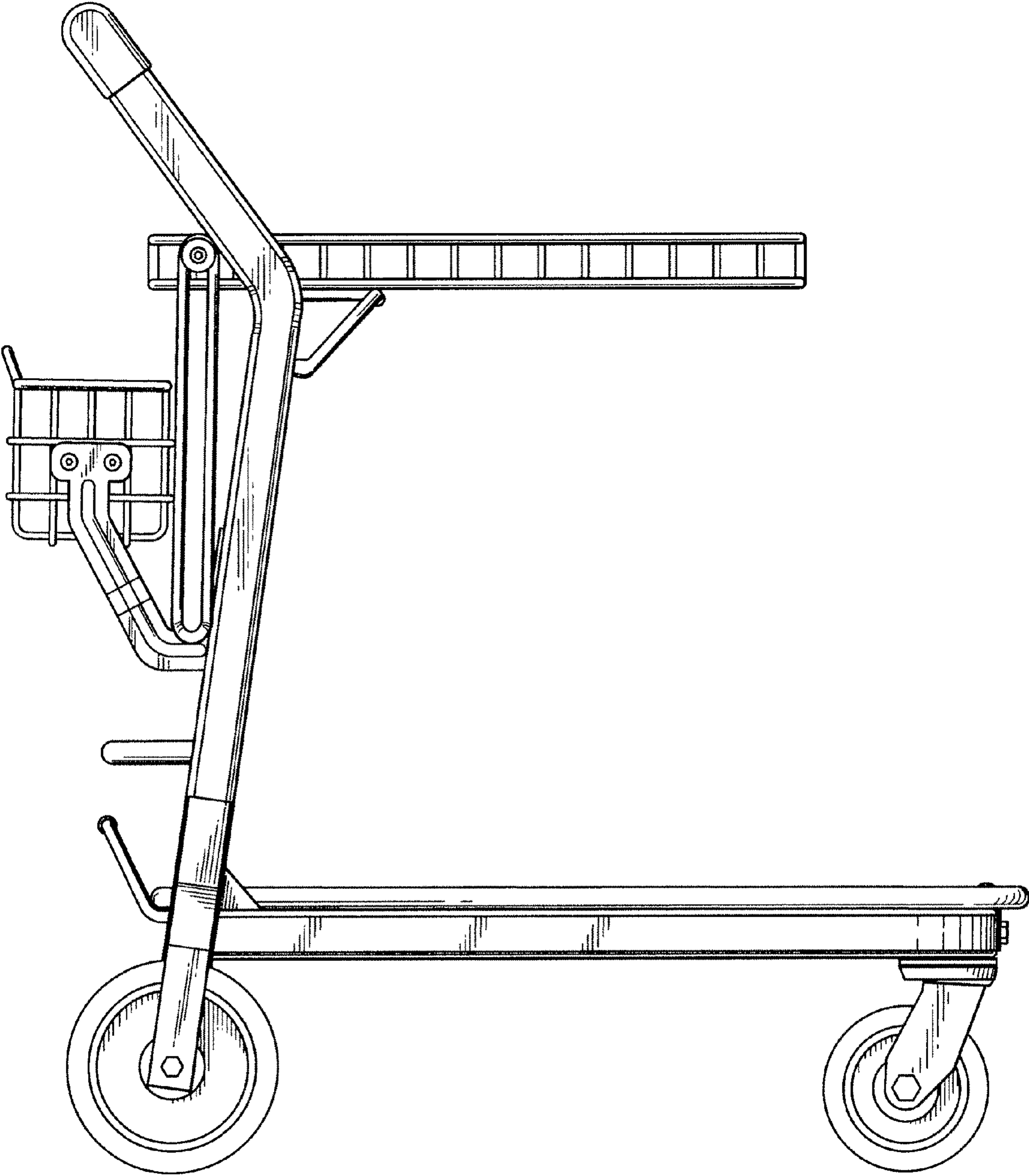


FIG.8