



US00D576366S

(12) **United States Design Patent**
Kubes et al.

(10) **Patent No.:** **US D576,366 S**
(45) **Date of Patent:** **** Sep. 2, 2008**

(54) **HAND-HELD CLEANING DEVICE**

(75) Inventors: **Michael J. Kubes**, Oakdale, MN (US);
Mauro Porcini, Bregano (IT); **Diane L. Regnier**, Stillwater, MN (US); **Valentina Tronconi**, Milan (IT)

(73) Assignee: **3M Innovative Properties Company**,
St. Paul, MN (US)

(**) Term: **14 Years**

(21) Appl. No.: **29/282,653**

(22) Filed: **Jul. 26, 2007**

(51) **LOC (8) Cl.** **07-05**

(52) **U.S. Cl.** **D32/40**

(58) **Field of Classification Search** D32/40-41;
D28/63; 15/118, 104.93-104.94, 208, 201.1,
15/210.1, 229.11-229.12; 451/523, 533,
451/537; 427/429

See application file for complete search history.

(56) **References Cited**

U.S. PATENT DOCUMENTS

D410,308 S	5/1999	Tintelnot	
D421,166 S	2/2000	Tintelnot	
D457,698 S	5/2002	Susani	
D462,818 S *	9/2002	Haro	D32/40
D464,472 S *	10/2002	Haro	D32/40
D473,027 S *	4/2003	Pecaut	D32/40

6,857,159 B1 *	2/2005	Strine	15/118
D506,299 S *	6/2005	Chumley	D32/40
D506,587 S *	6/2005	Armaly, Jr.	D32/40
6,917,400 B2 *	7/2005	Nakamura et al.	349/96

FOREIGN PATENT DOCUMENTS

BE RCD-000285937-0001	3/2005
WO WO 96/22674	8/1996

* cited by examiner

Primary Examiner—Pamela J Burgess

(74) *Attorney, Agent, or Firm*—Trisha D. Adamson

(57) **CLAIM**

The ornamental design for a hand-held cleaning device, as shown and described.

DESCRIPTION

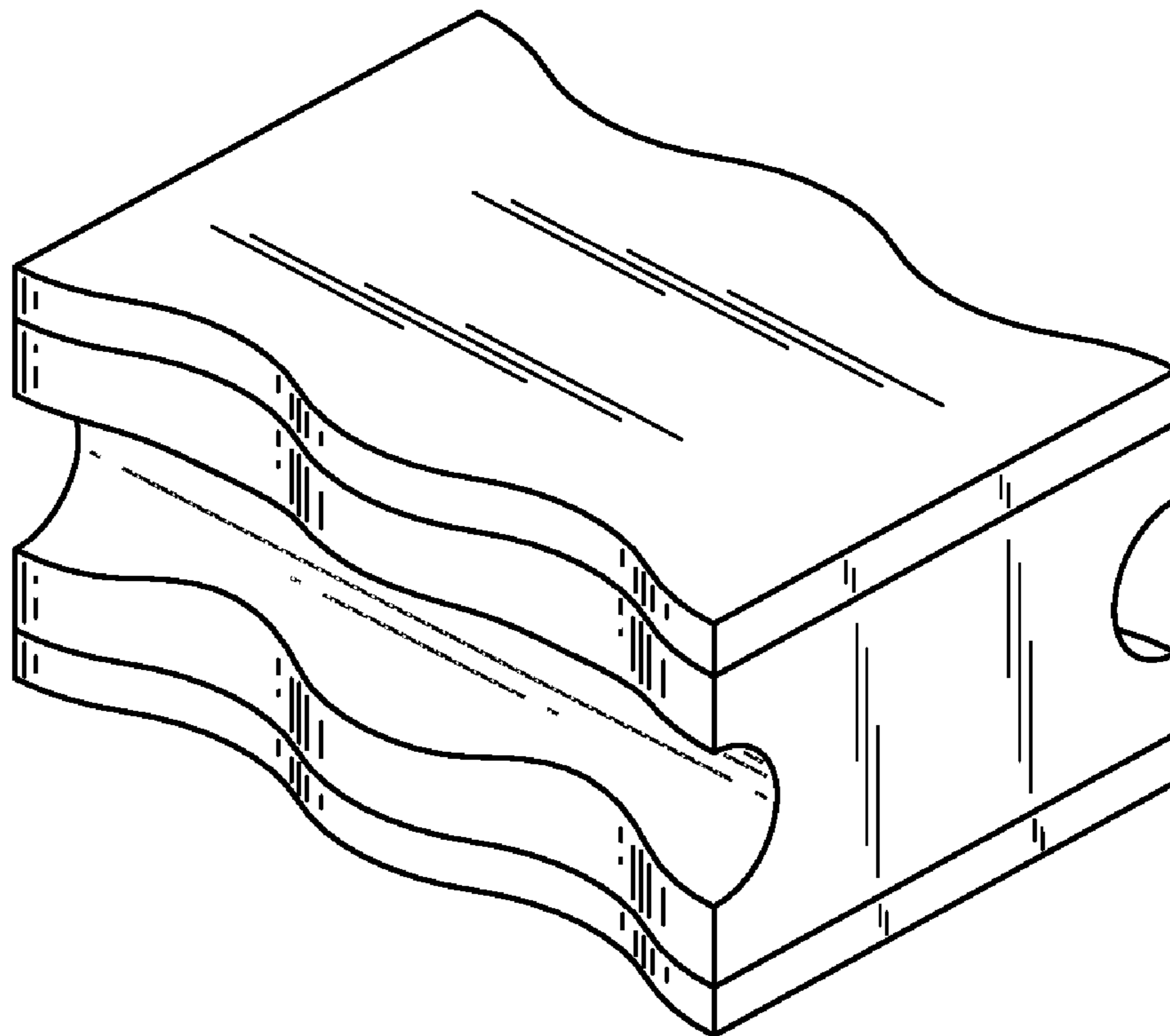
FIG. 1 is a perspective view of a hand-held cleaning device; FIG. 2 is a top view thereof, the bottom view being a mirror image thereof;

FIG. 3 is a right side view thereof, the left side view being a mirror image thereof; and,

FIG. 4 is a front view thereof, the rear view being a mirror image thereof.

The surface shading illustrated in the drawings is provided merely to highlight the contour of the design; it is not intended to be illustrative of texture or gloss.

1 Claim, 1 Drawing Sheet



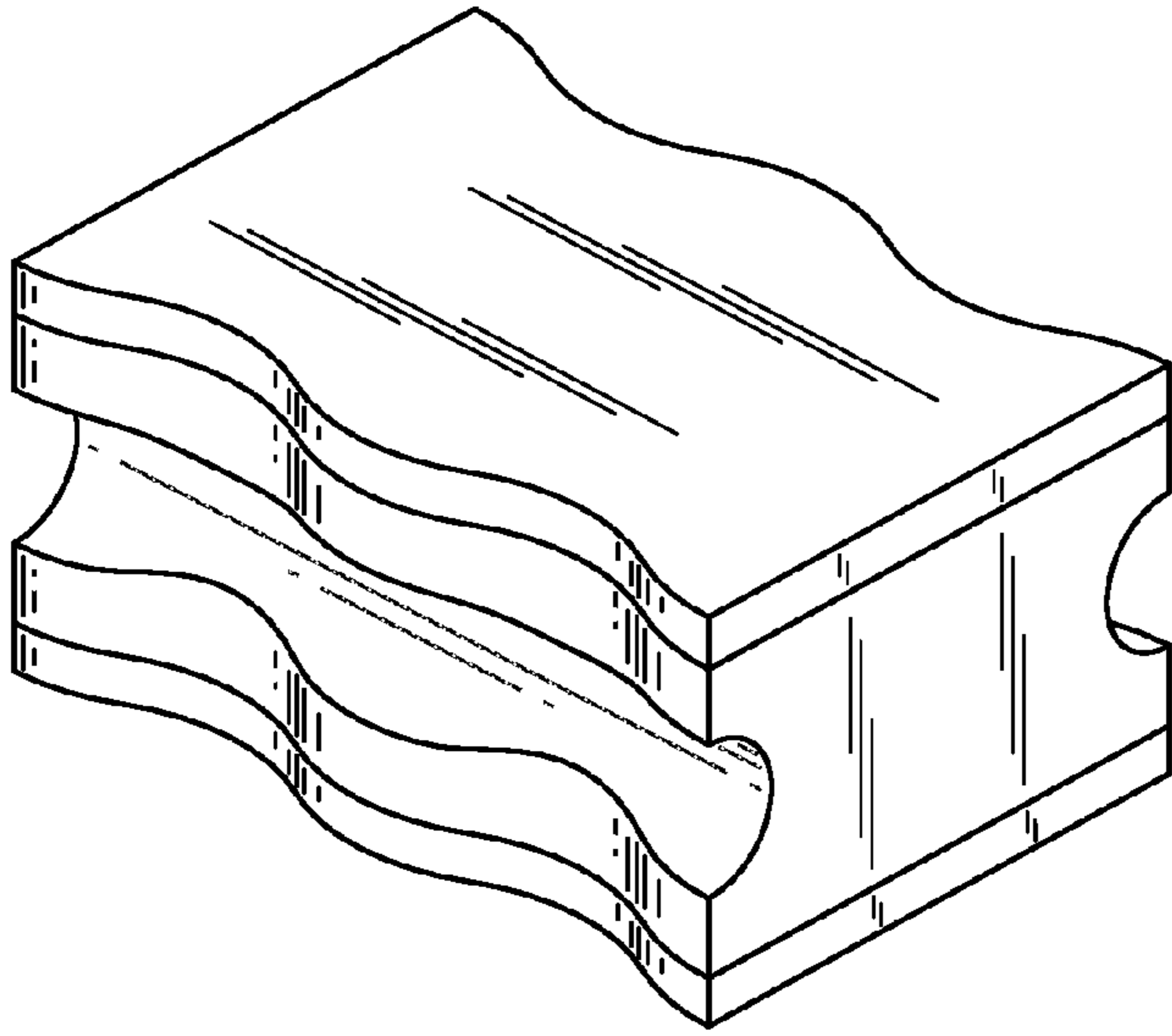


FIG. 1

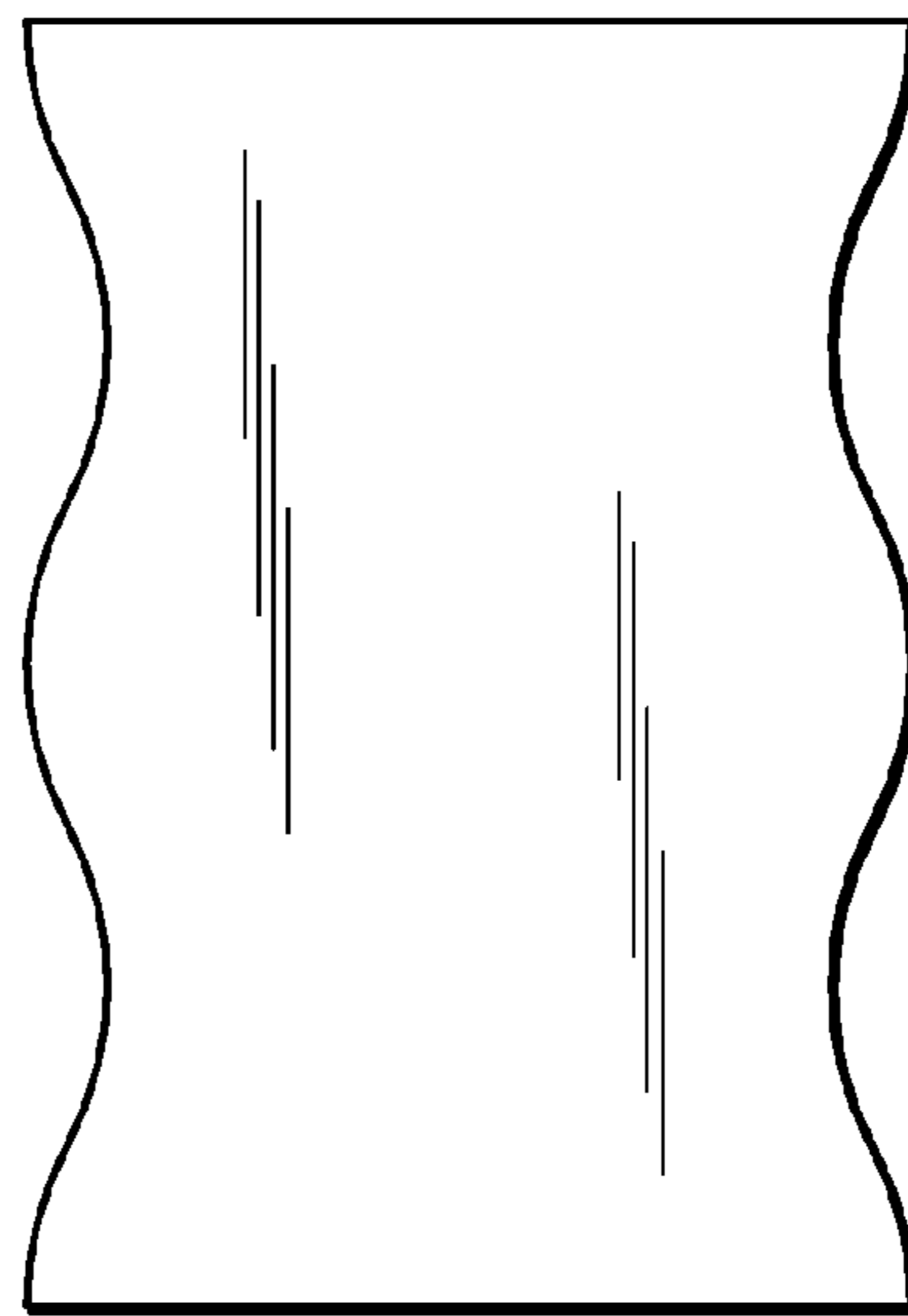


FIG. 2

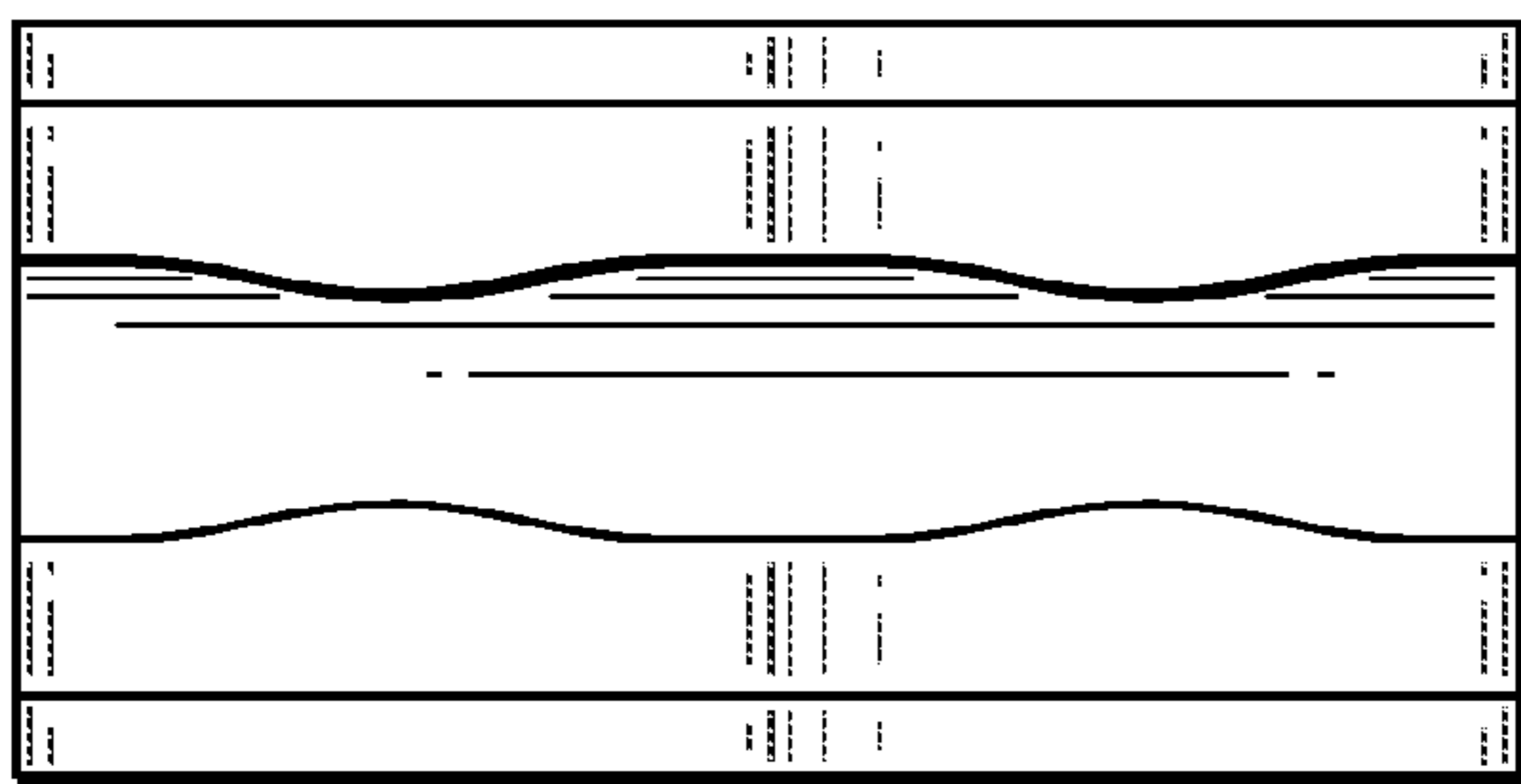


FIG. 3

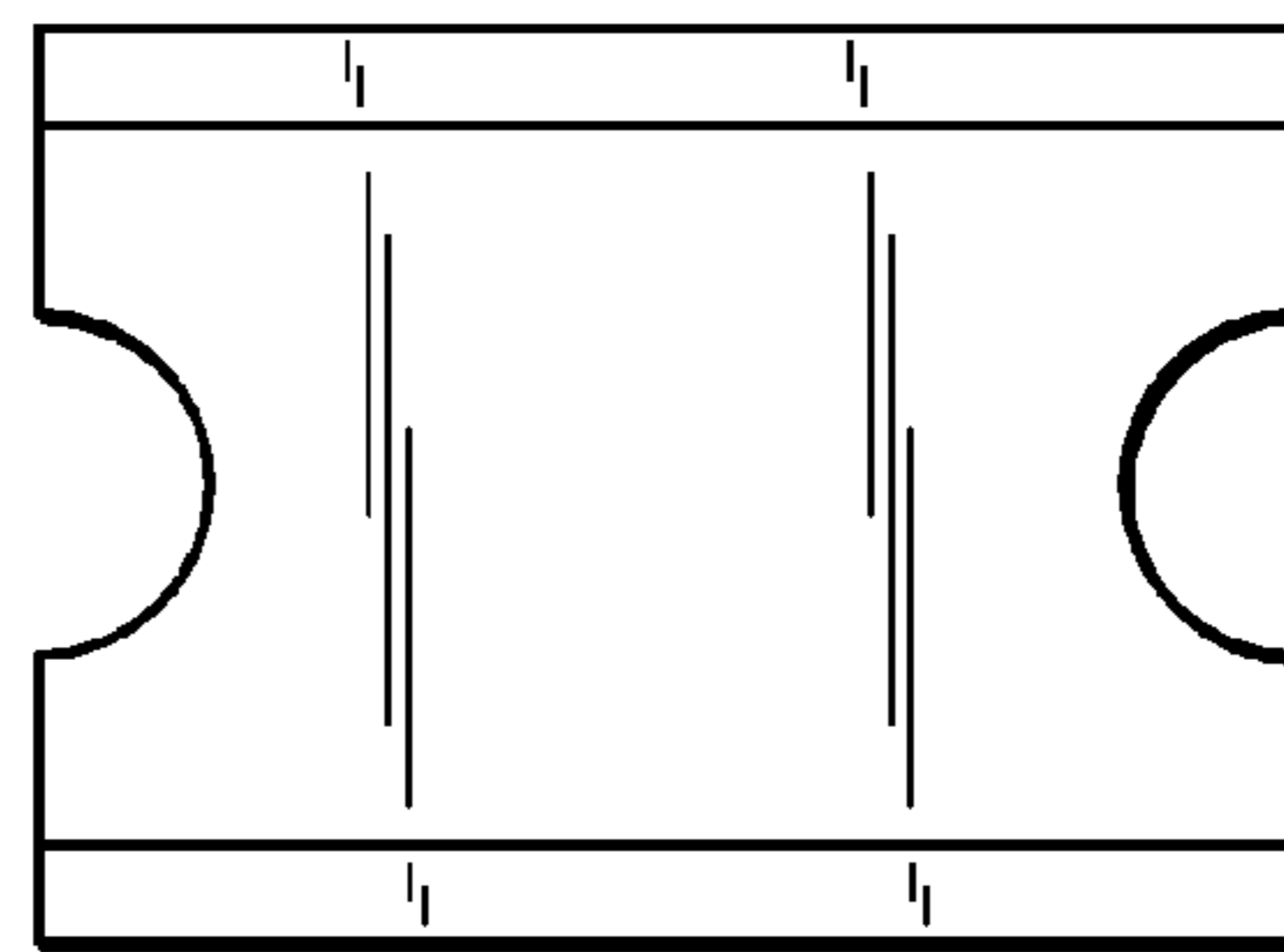


FIG. 4