



US00D576363S

(12) **United States Design Patent**
Reiner

(10) **Patent No.:** **US D576,363 S**

(45) **Date of Patent:** **** Sep. 2, 2008**

(54) **STEAM BRUSH FOR A GARMENT STEAMER**

(75) Inventor: **Guillaume Reiner**, Lyons (FR)

(73) Assignee: **Rowenta Werke GmbH**, Offenbach am Main (DE)

(**) Term: **14 Years**

(21) Appl. No.: **29/282,780**

(22) Filed: **Jul. 30, 2007**

(30) **Foreign Application Priority Data**

Feb. 1, 2007 (FR) 07 0500

(51) **LOC (8) Cl.** **15-05**

(52) **U.S. Cl.** **D32/17**

(58) **Field of Classification Search** D32/9,
D32/68-73, 17-18, 21, 23-24, 31-33; 68/5 R,
68/222, 5 A; 38/85, 82, 77.8, 81, 94, 77.83,
38/79, 96; 392/405, 324, 333, 342, 379,
392/403; 219/259, 242, 254, 246; 8/149.3;
15/344, 329, 320-322, 415.1-422.1, 327.1-327.2,
15/327.6-327.7

See application file for complete search history.

(56) **References Cited**

U.S. PATENT DOCUMENTS

D222,502 S * 10/1971 Madl et al. D32/17
D229,016 S * 11/1973 Plasko D32/17
D229,664 S * 12/1973 Stutzer D32/17

D307,341 S * 4/1990 Tsuji et al. D32/17
D319,121 S * 8/1991 Muller D32/17
5,123,266 A * 6/1992 Tabraham 68/222
D378,000 S * 2/1997 Muller et al. D32/17
D540,498 S * 4/2007 Tobias D32/17
D561,958 S * 2/2008 Hahn D32/17

OTHER PUBLICATIONS

Conair-Compact Fabric Steamer (model: GS4), copyright 2007
Conair Corporation, one page.

* cited by examiner

Primary Examiner—Ruth McInroy

(74) *Attorney, Agent, or Firm*—Oblon, Spivak, McClelland,
Maier & Neustadt, P.C.

(57) **CLAIM**

The ornamental design for a steam brush for a garment steamer, as shown and described.

DESCRIPTION

FIG. 1 is a front, right, bottom view of a steam brush for a garment steamer, showing my design;

FIG. 2 is a left view thereof;

FIG. 3 is a right view thereof;

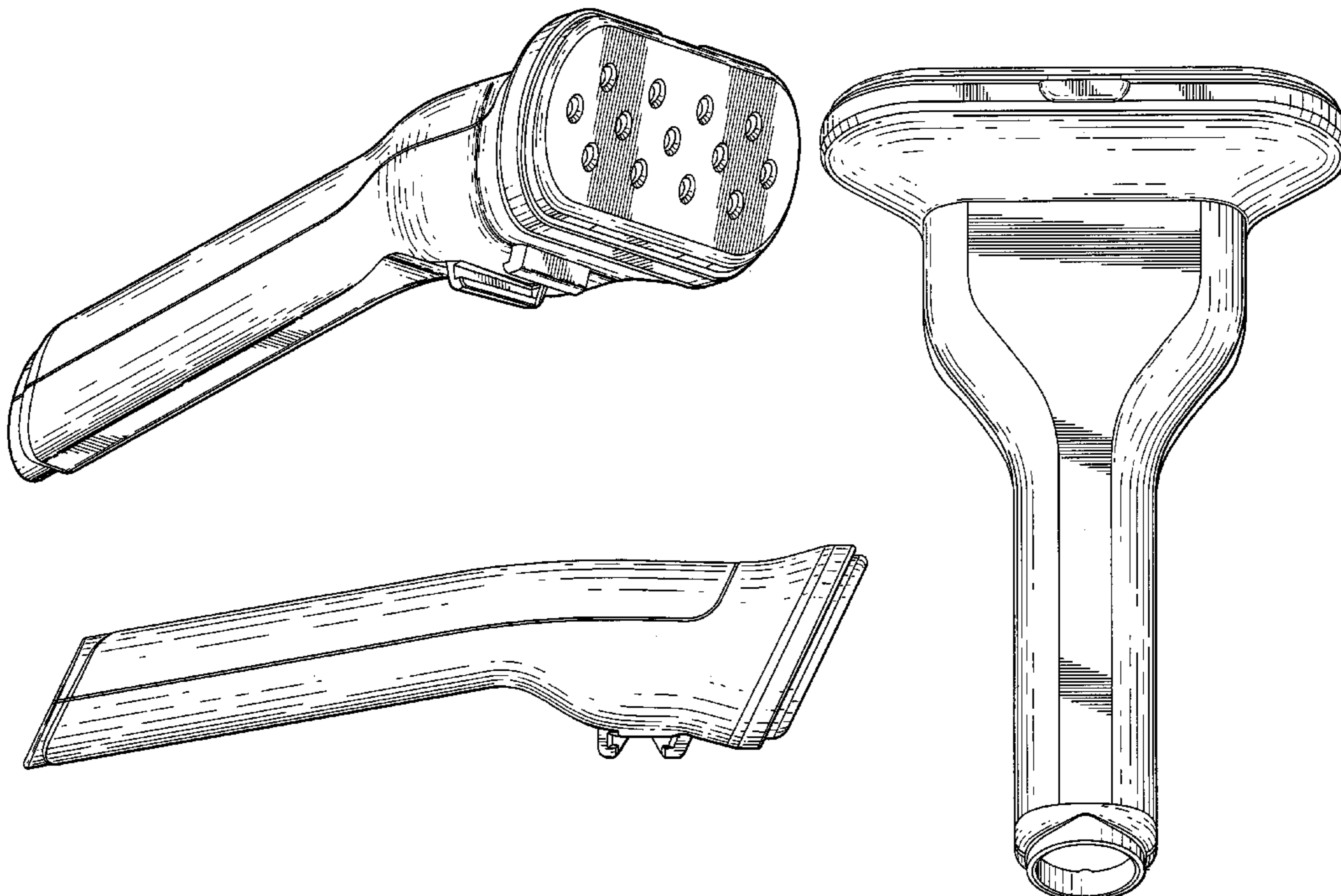
FIG. 4 is a front view thereof;

FIG. 5 is a rear view thereof;

FIG. 6 is a top view thereof; and,

FIG. 7 is a bottom view thereof.

1 Claim, 7 Drawing Sheets



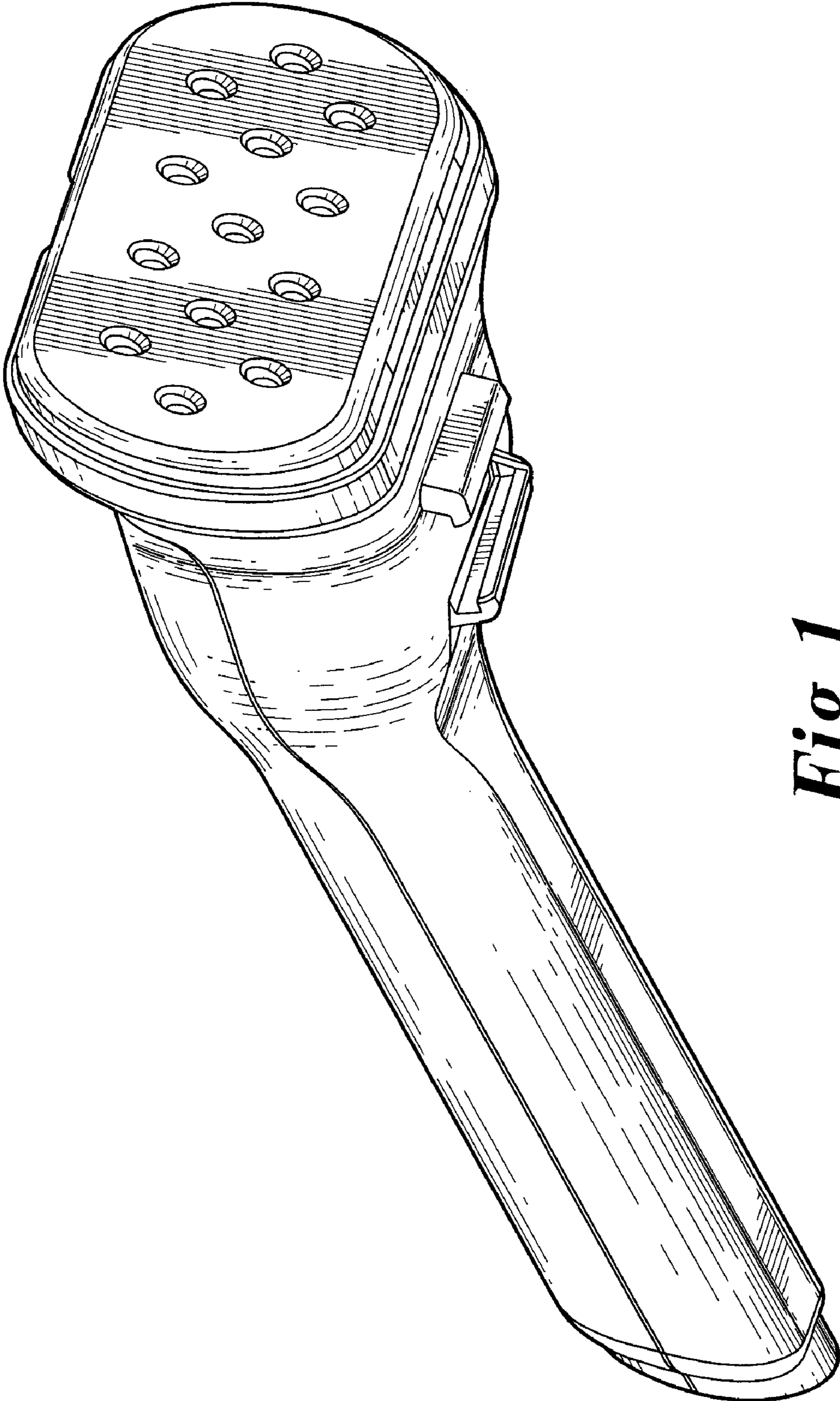


Fig. 1

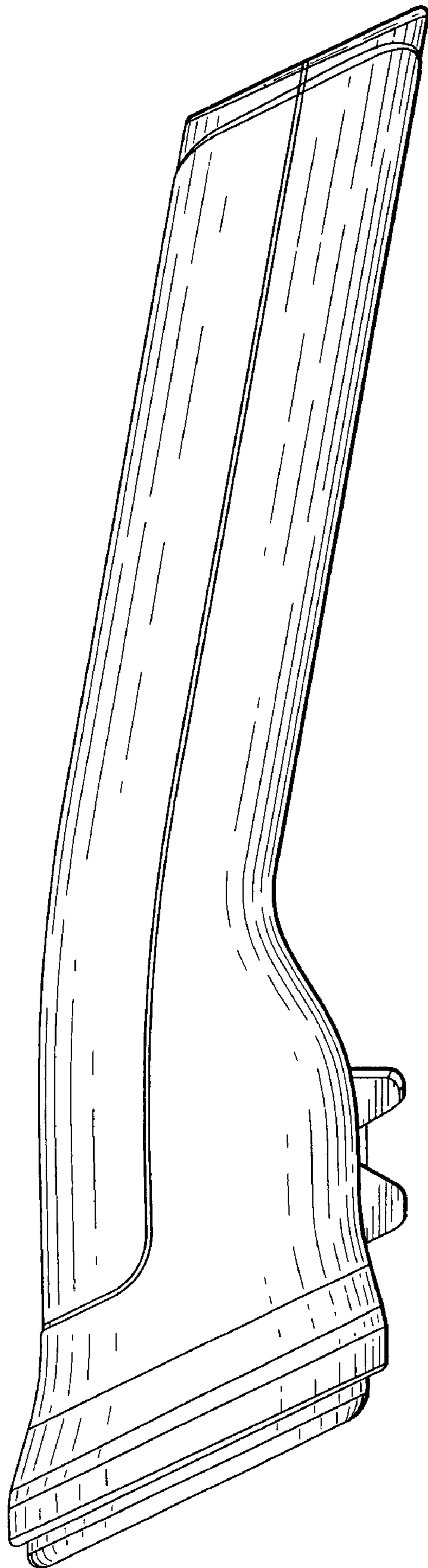


Fig. 2

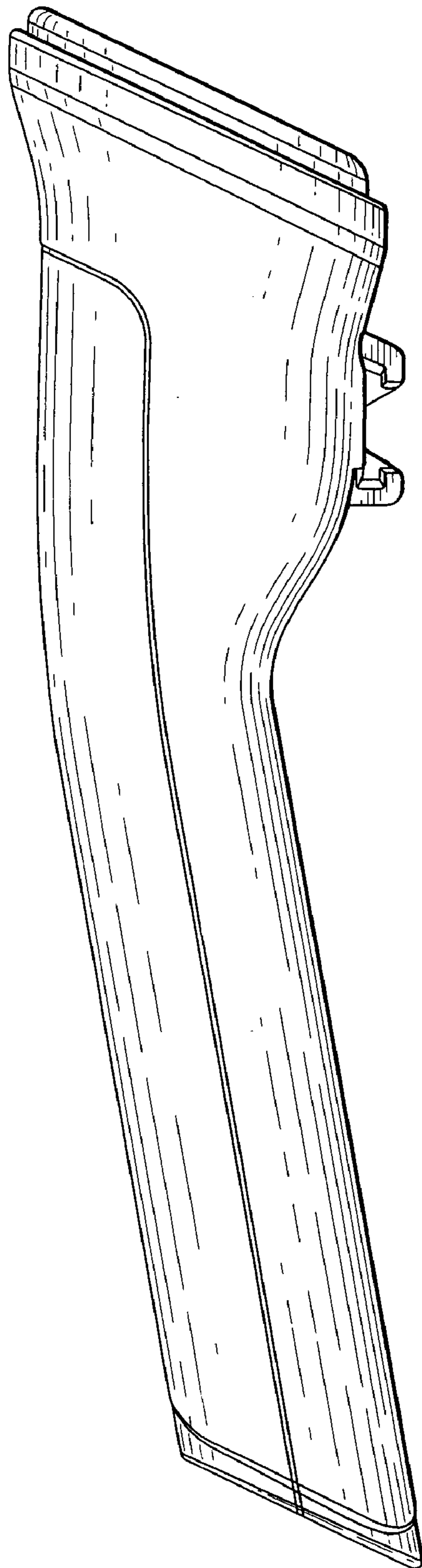


Fig. 3

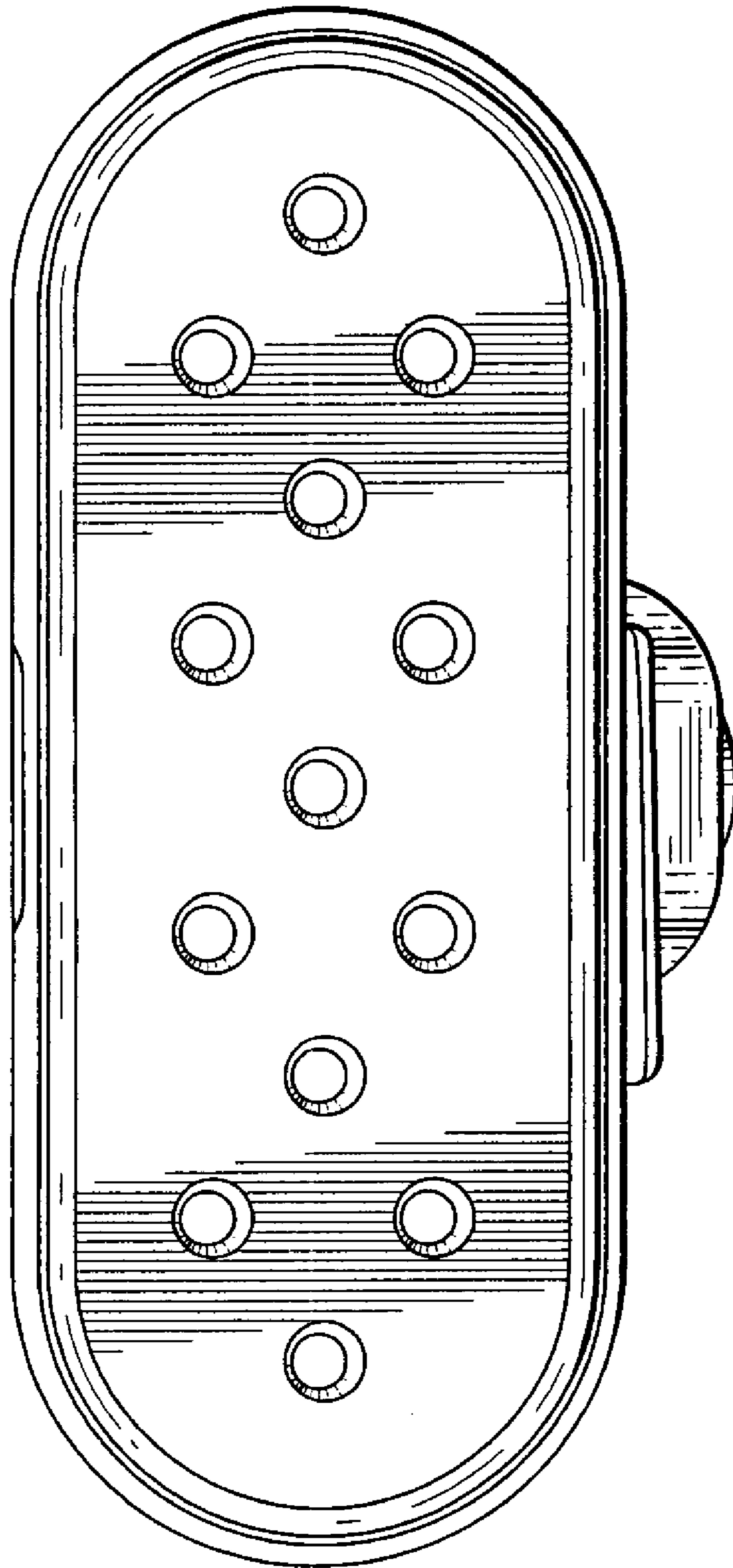


Fig. 4

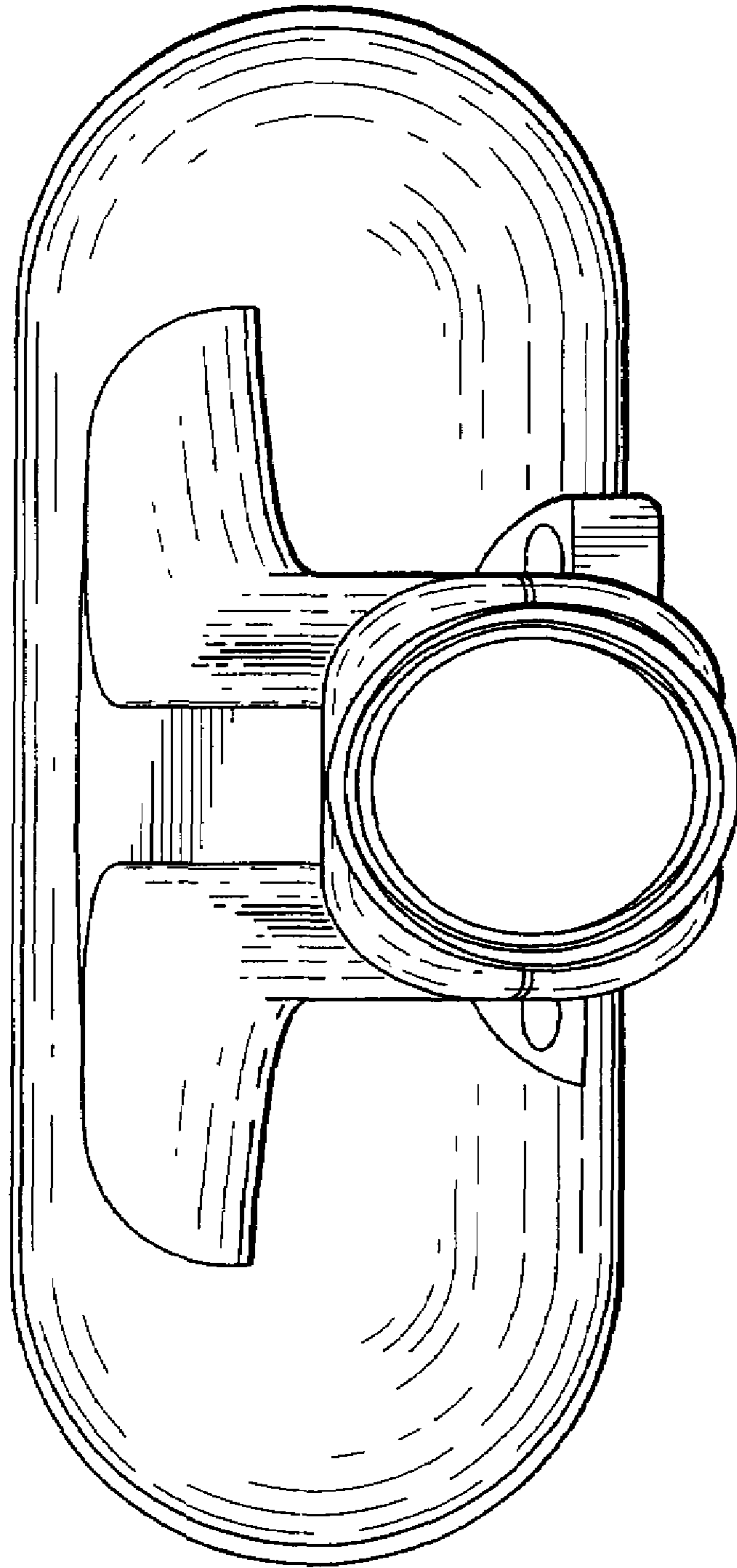


Fig. 5

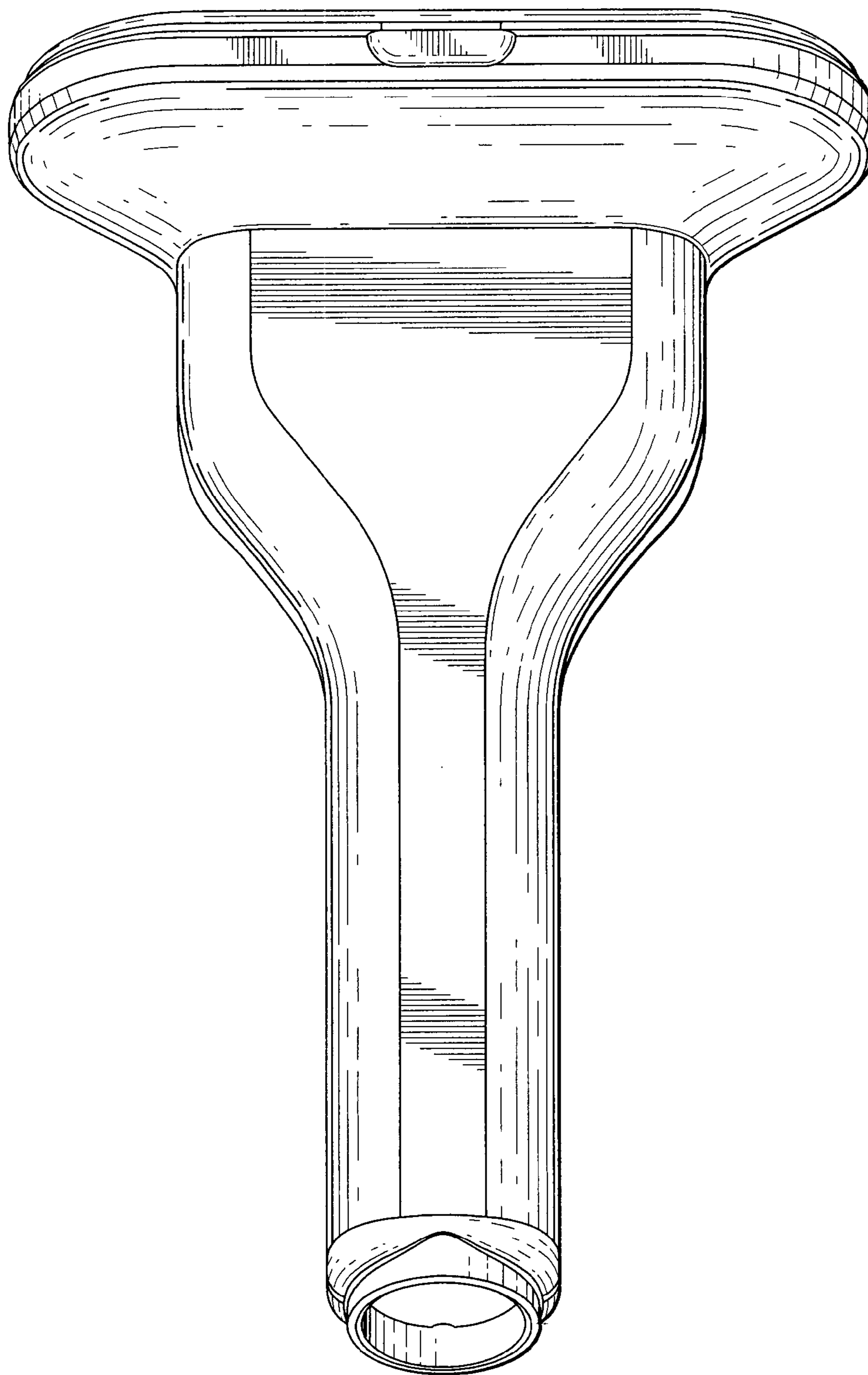


Fig. 6

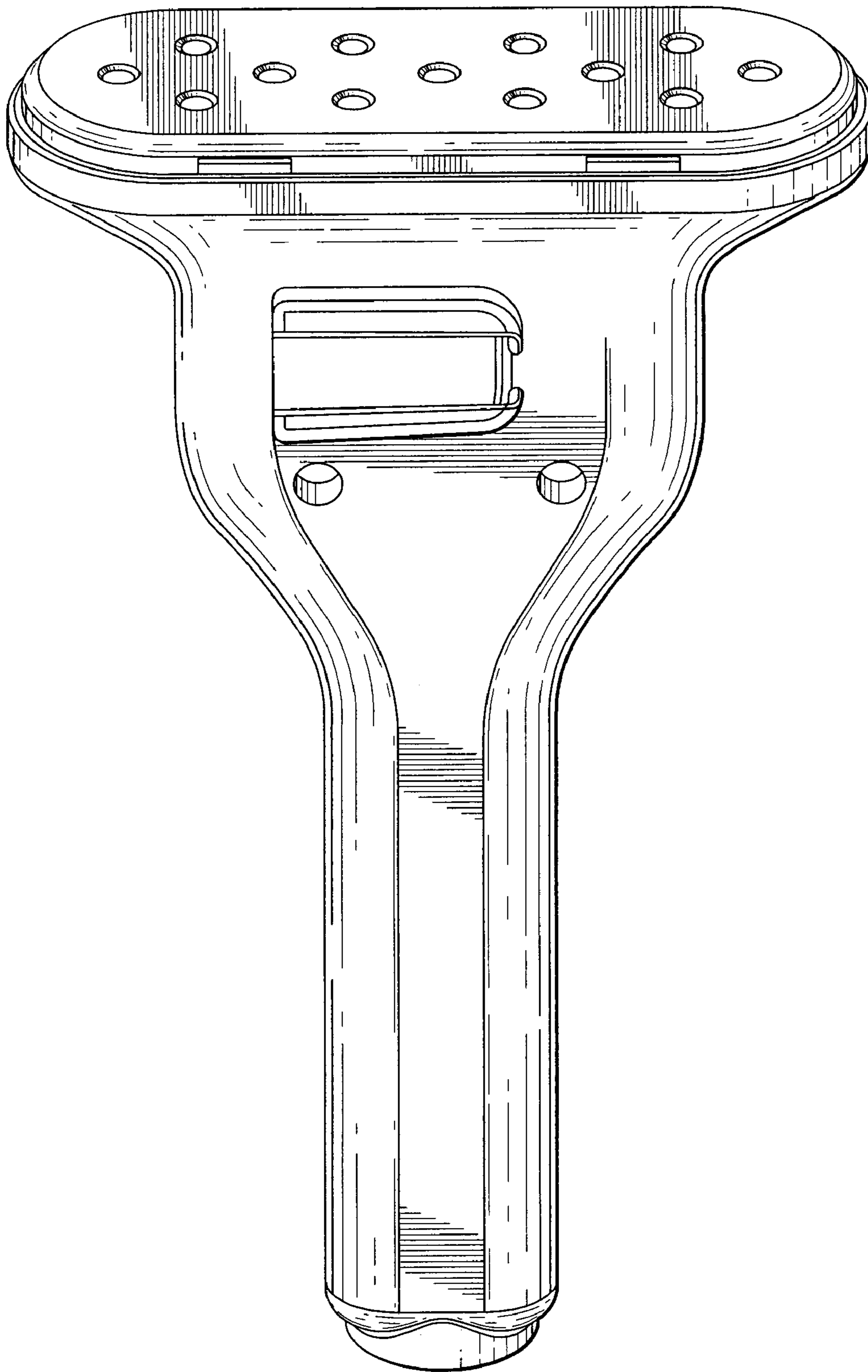


Fig. 7