



US00D576358S

(12) **United States Design Patent**
Rutherford

(10) **Patent No.:** **US D576,358 S**
(45) **Date of Patent:** **** Sep. 2, 2008**

(54) **PET TOY**

(75) Inventor: **Ryan Rutherford**, Belleville, NJ (US)

(73) Assignee: **JW Pet Company, Inc.**, Teterboro, NJ (US)

(**) Term: **14 Years**

(21) Appl. No.: **29/295,898**

(22) Filed: **Oct. 10, 2007**

Related U.S. Application Data

(62) Division of application No. 29/266,091, filed on Sep. 14, 2006, now Pat. No. Des. 565,806.

(51) **LOC (8) Cl.** **30-99**

(52) **U.S. Cl.** **D30/160**

(58) **Field of Classification Search** D30/160;
119/702, 706-711; D21/576, 621, 630, 656-659;
D1/106

See application file for complete search history.

(56) **References Cited**

U.S. PATENT DOCUMENTS

- D320,495 S * 10/1991 Pallesen D1/110
- D394,414 S * 5/1998 Catalano D30/160
- 5,912,285 A * 6/1999 Godsey 119/710
- D428,136 S * 7/2000 Cady et al. D30/160
- 6,202,598 B1 * 3/2001 Willinger 119/709
- D496,773 S * 10/2004 Tepper et al. D1/199

- D498,955 S * 11/2004 Edwards D6/515
- D511,030 S * 10/2005 Byrne D30/160
- D512,189 S * 11/2005 Byrne D30/160
- 7,087,260 B2 8/2006 Axelrod
- D534,694 S * 1/2007 Pozzoni D30/160
- D552,634 S * 10/2007 Janiszewski D15/90
- D565,806 S * 4/2008 Rutherford D30/160
- 2002/0017759 A1 * 2/2002 McClung et al. 119/709
- 2008/0029045 A1 * 2/2008 Willinger 119/710

* cited by examiner

Primary Examiner—Cathy Anne MacCormac

(74) *Attorney, Agent, or Firm*—Katten Muchin Rosenman LLP

(57) **CLAIM**

The ornamental designs for a pet toy, as shown and described.

DESCRIPTION

FIG. 1 is a perspective view of a pet toy,

FIG. 2 is a front view thereof,

FIG. 3 is a rear view thereof,

FIG. 4 is a left-side view thereof,

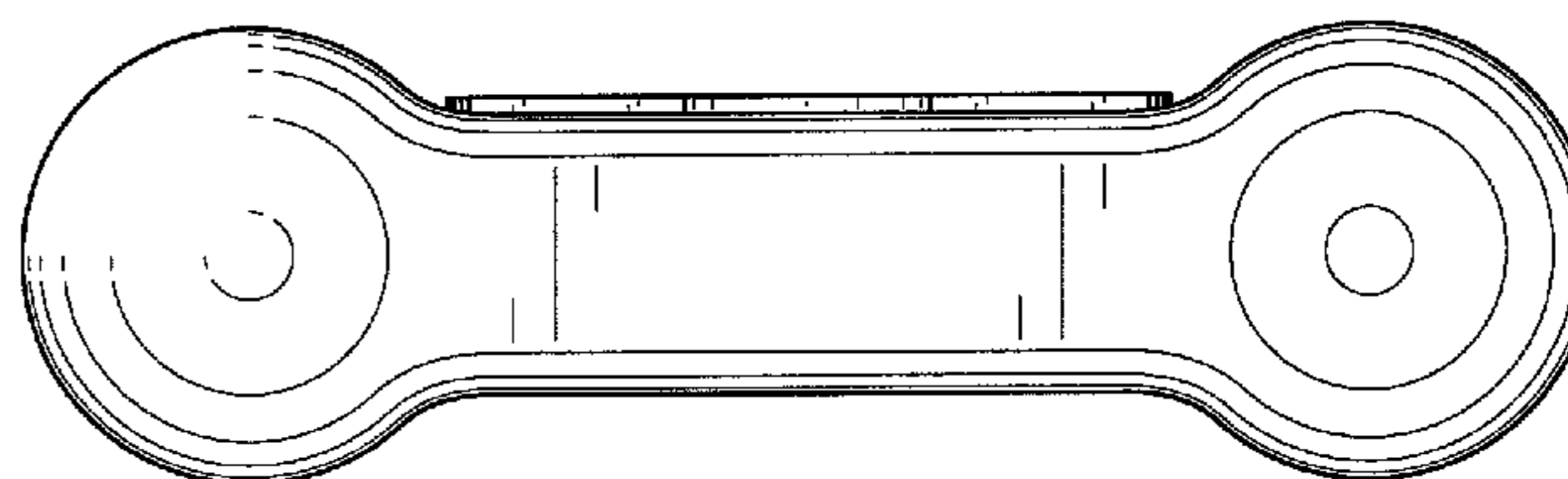
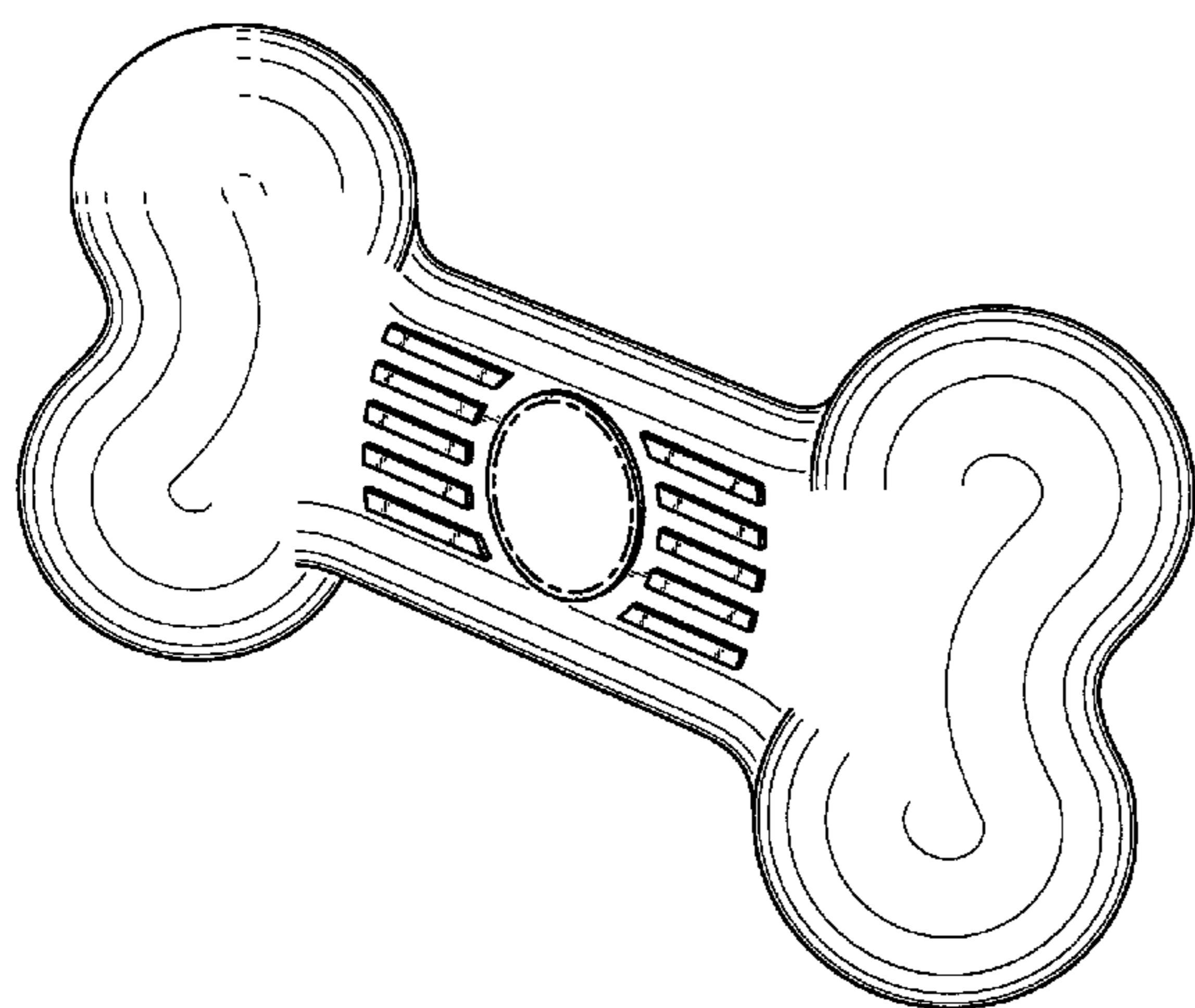
FIG. 5 is a right-side view thereof,

FIG. 6 is a top view thereof; and,

FIG. 7 is a bottom view thereof.

The portions of the design that are shown in broken lines do not form part of the claimed design.

1 Claim, 5 Drawing Sheets



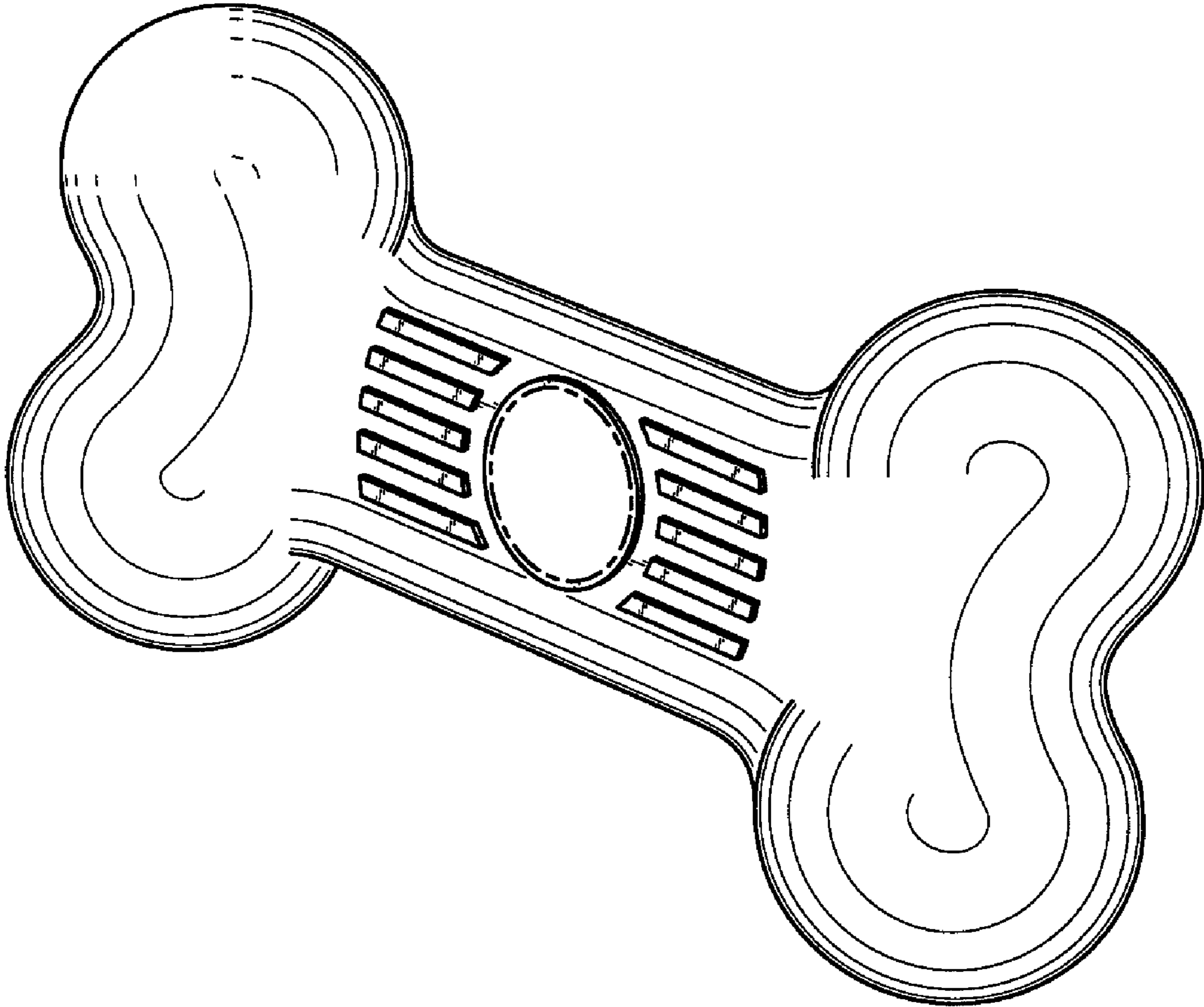


FIG. 1

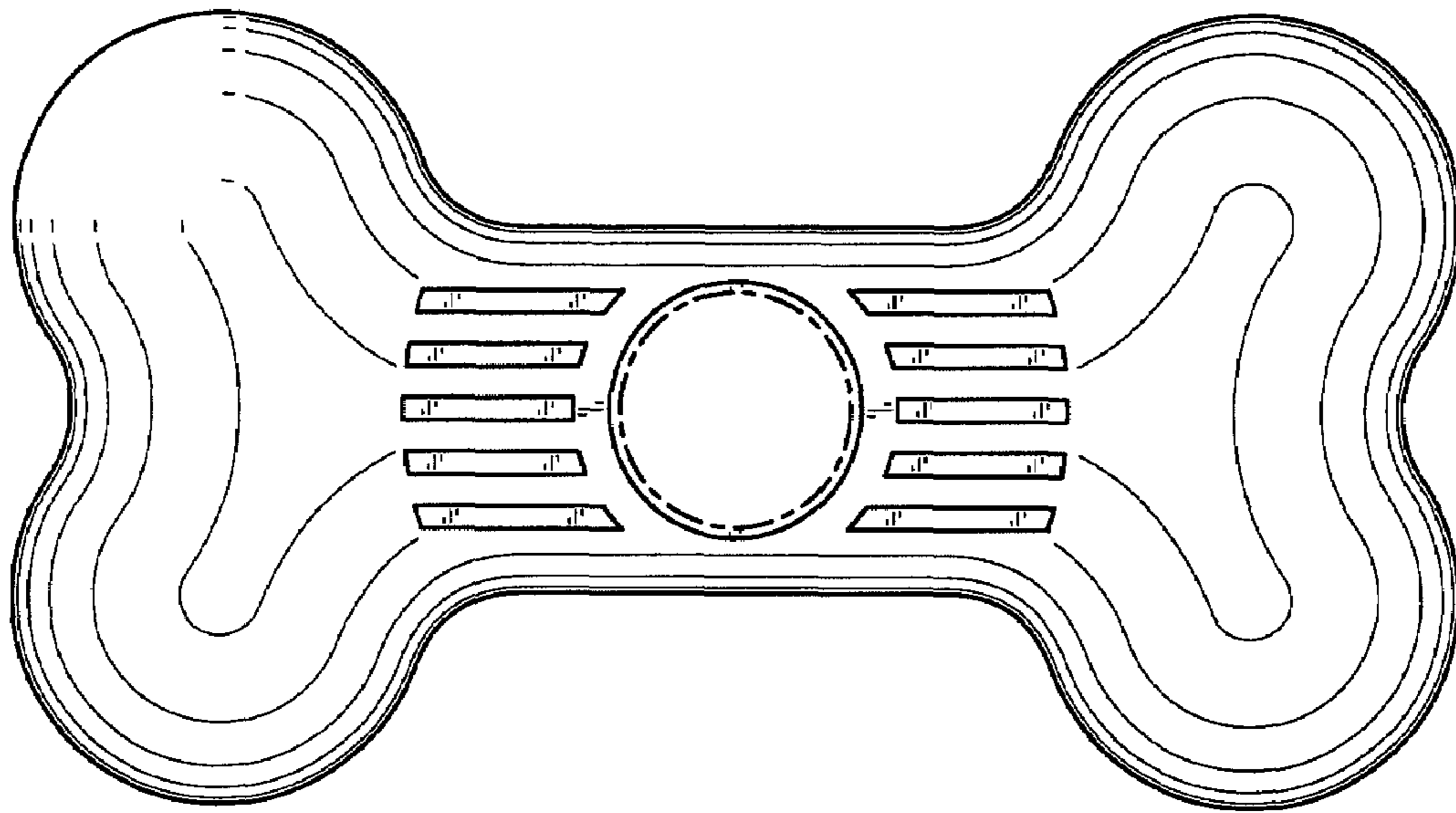


FIG. 2

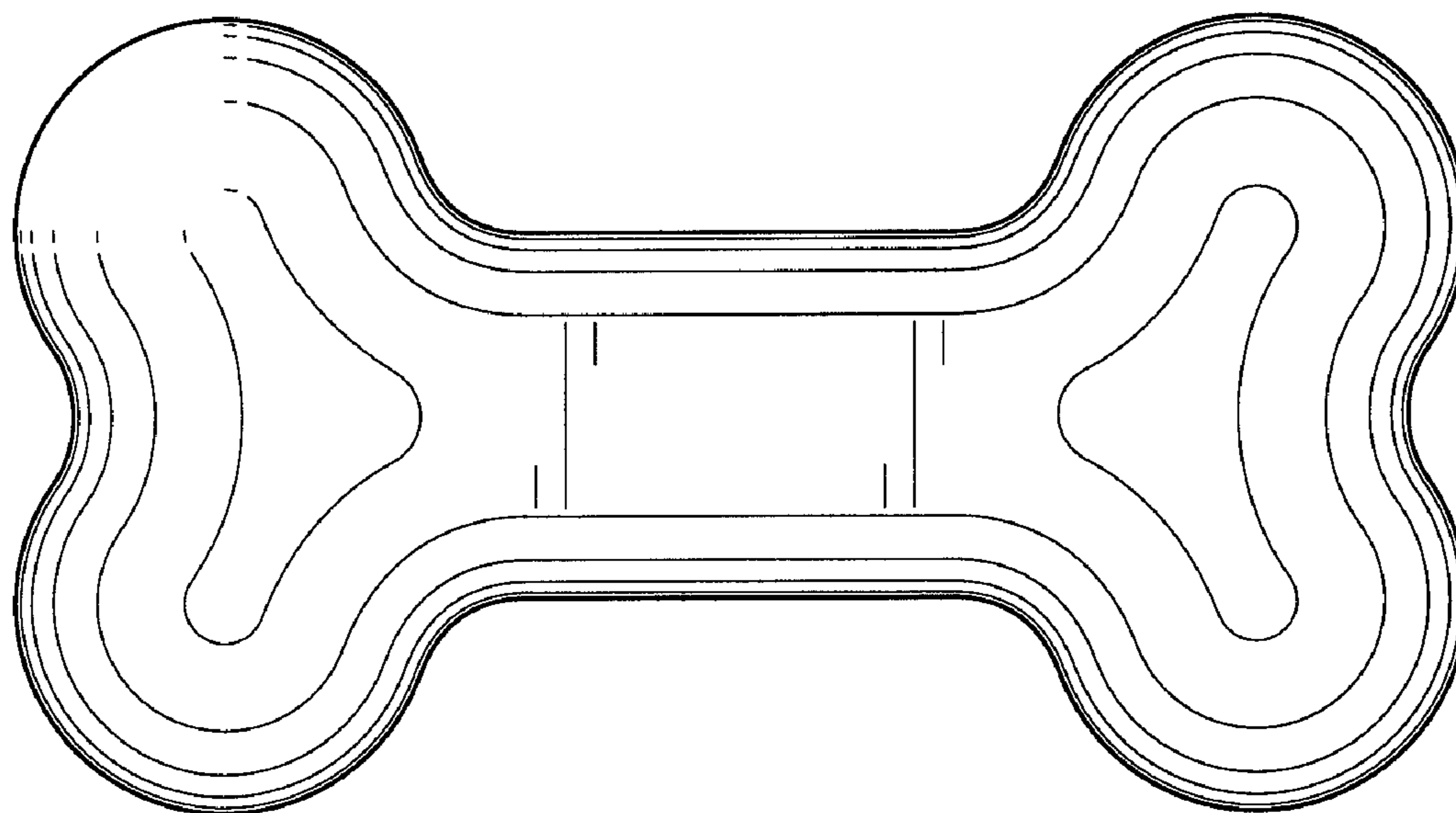


FIG. 3

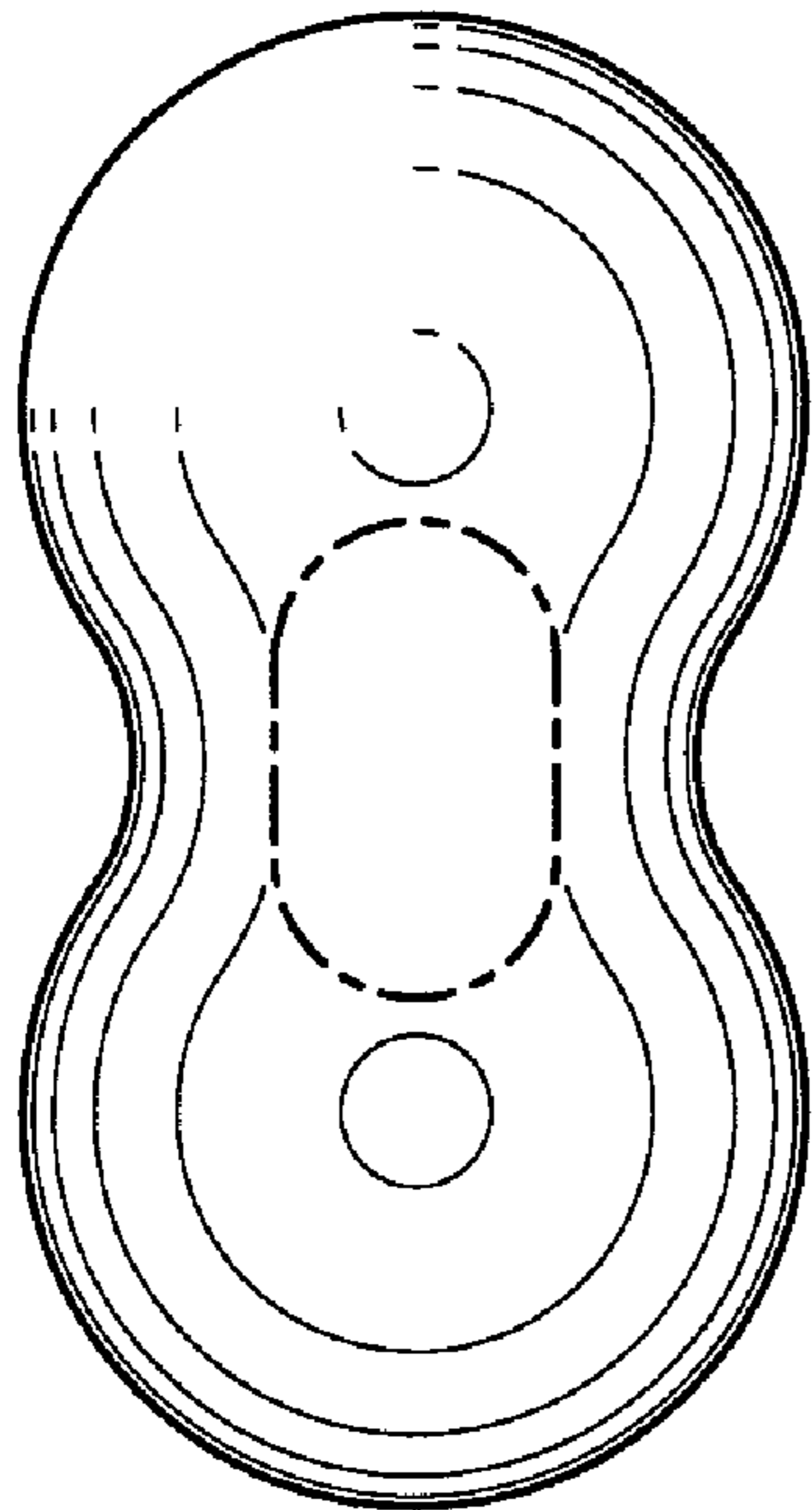


FIG. 4

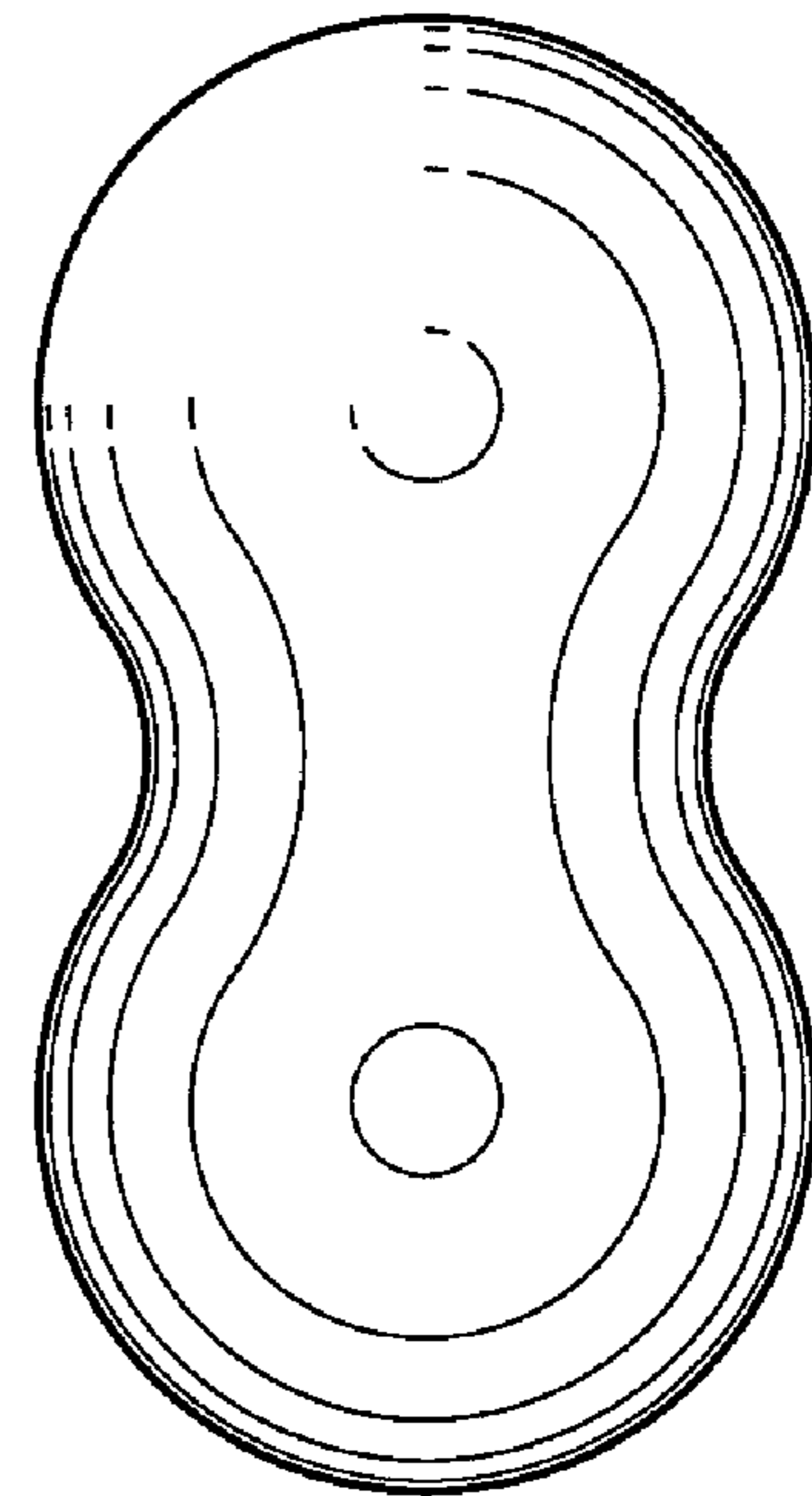


FIG. 5

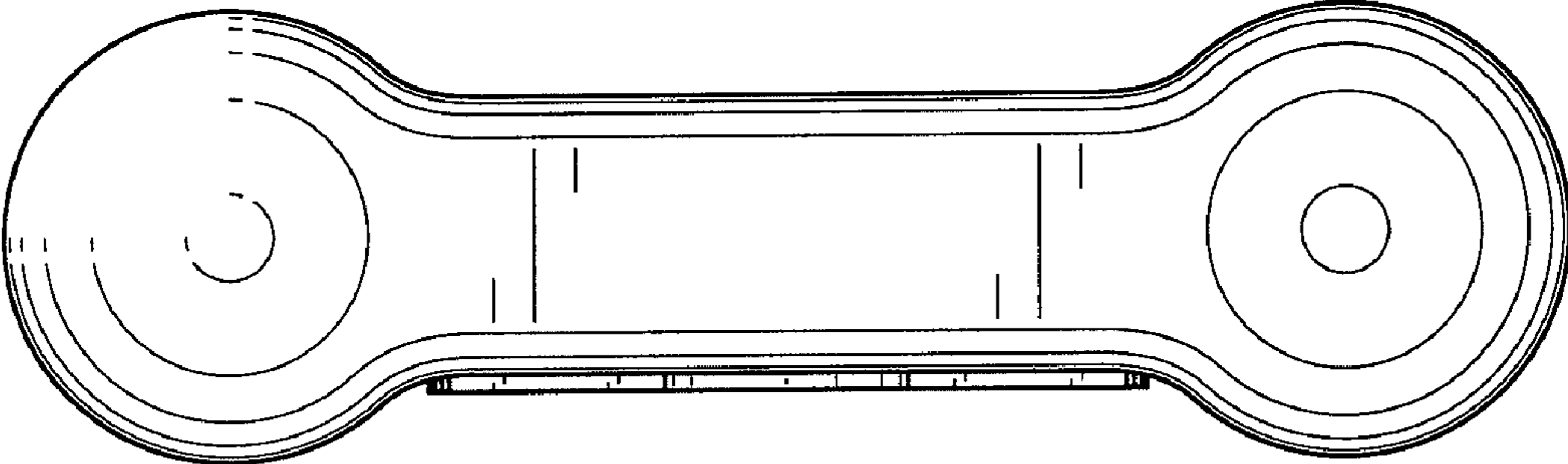


FIG. 6

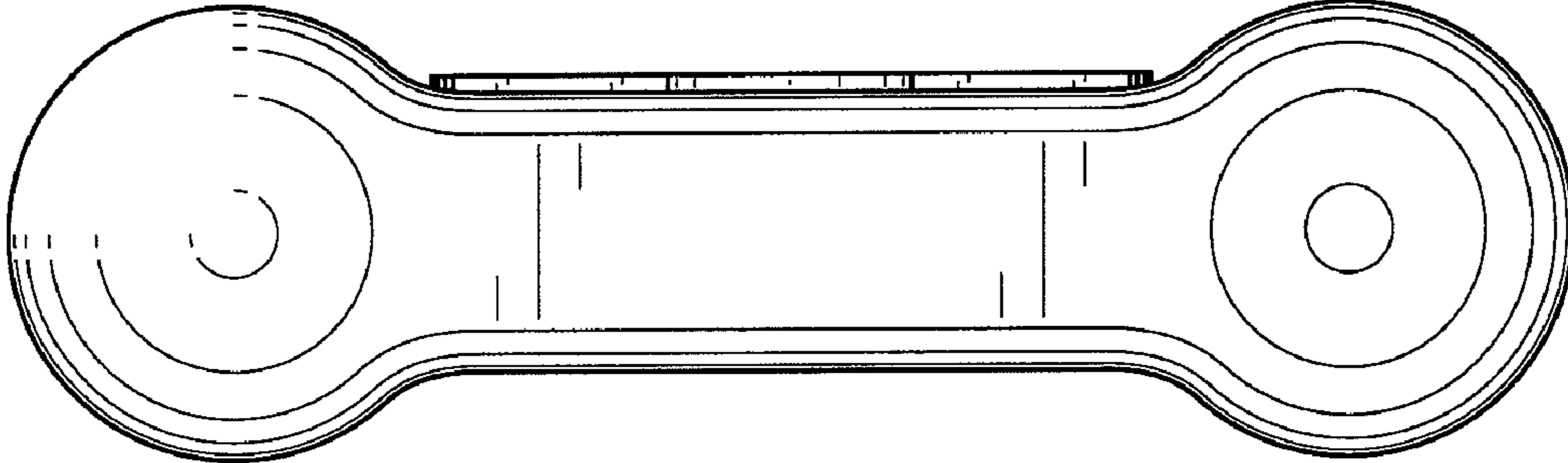


FIG. 7