



US00D576357S

(12) **United States Design Patent**
Rutherford et al.

(10) **Patent No.:** **US D576,357 S**
(45) **Date of Patent:** **** Sep. 2, 2008**

(54) **PET TOY**

(75) Inventors: **Ryan Rutherford**, Rutherford, NJ (US);
Peter Ragonetti, Brooklyn, NY (US)

(73) Assignee: **JW Pet Company, Inc.**, Teterboro, NJ
(US)

(**) Term: **14 Years**

(21) Appl. No.: **29/291,507**

(22) Filed: **Aug. 31, 2007**

Related U.S. Application Data

(62) Division of application No. 29/256,103, filed on Mar.
15, 2006, now Pat. No. Des. 556,392.

(51) **LOC (8) Cl.** **30-99**

(52) **U.S. Cl.** **D30/160**

(58) **Field of Classification Search** D30/160;
119/702, 706-711; D21/576, 621, 630, 656-659;
D1/106

See application file for complete search history.

(56) **References Cited**

U.S. PATENT DOCUMENTS

982,711 A *	1/1911	Ellis	D1/106
D119,035 S *	2/1940	Lindgren	D30/160
D159,826 S *	8/1950	Wintergreen	D12/212
D177,345 S *	4/1956	Nayer	D30/160
D305,951 S *	2/1990	Spiel et al.	D1/106
D337,827 S *	7/1993	Seng	D24/211
D347,898 S *	6/1994	Belcher	D24/211

5,339,771 A *	8/1994	Axelrod	119/710
D375,610 S *	11/1996	Loring	D30/160
D394,414 S *	5/1998	Catalano	D30/160
D399,569 S *	10/1998	Wier et al.	D30/160
D402,435 S *	12/1998	Correll	D30/160
D417,319 S *	11/1999	Weiss, Jr.	D30/160
D486,621 S *	2/2004	Speck et al.	D1/199
D496,773 S *	10/2004	Tepper et al.	D1/199
D497,457 S *	10/2004	Willinger	D30/160
D501,286 S *	2/2005	Wang	D1/199
D534,694 S *	1/2007	Pozzoni	D30/160
D540,181 S *	4/2007	Edwards	D30/160

* cited by examiner

Primary Examiner—Cathy Anne MacCormac

(74) *Attorney, Agent, or Firm*—Katten Muchin Rosenman
LLP

(57) **CLAIM**

The ornamental designs for pet toy, as shown and described.

DESCRIPTION

FIG. 1 is a perspective view of a pet toy showing our new
design;

FIG. 2 is a front view thereof;

FIG. 3 is a rear view thereof;

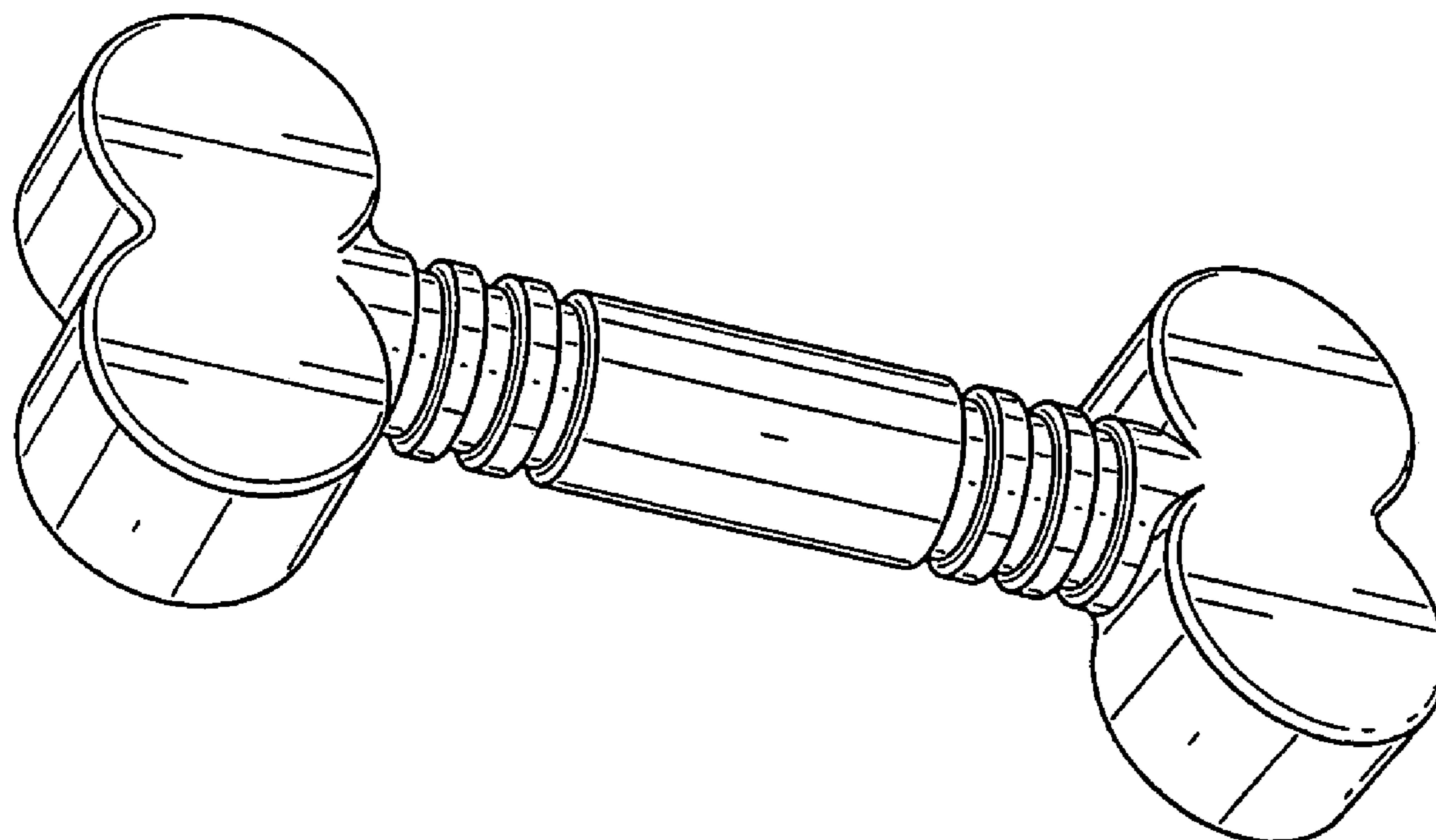
FIG. 4 is a left side view thereof;

FIG. 5 is a right side view thereof;

FIG. 6 is a top view thereof; and,

FIG. 7 is a bottom view thereof.

1 Claim, 4 Drawing Sheets



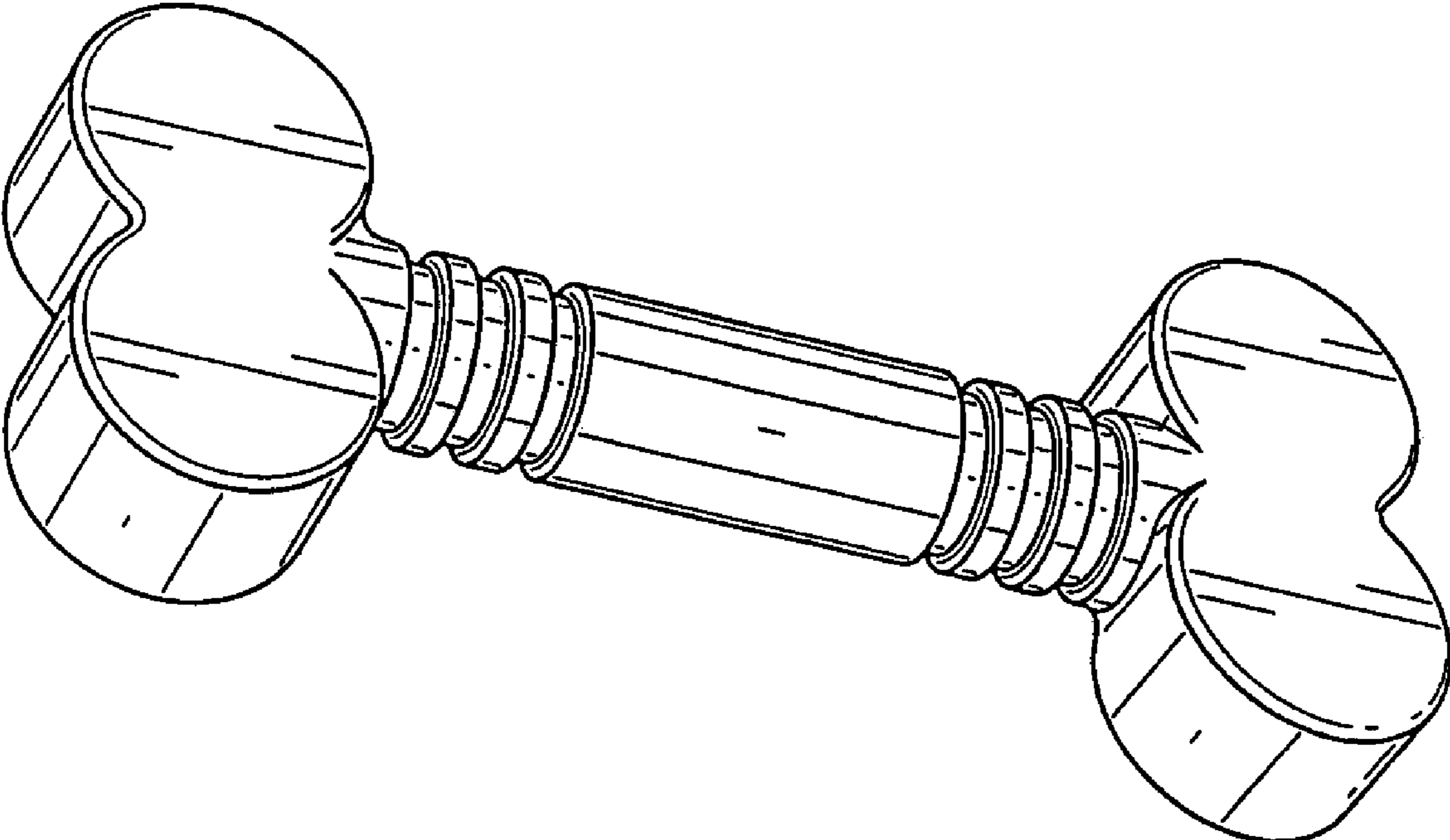


FIG. 1

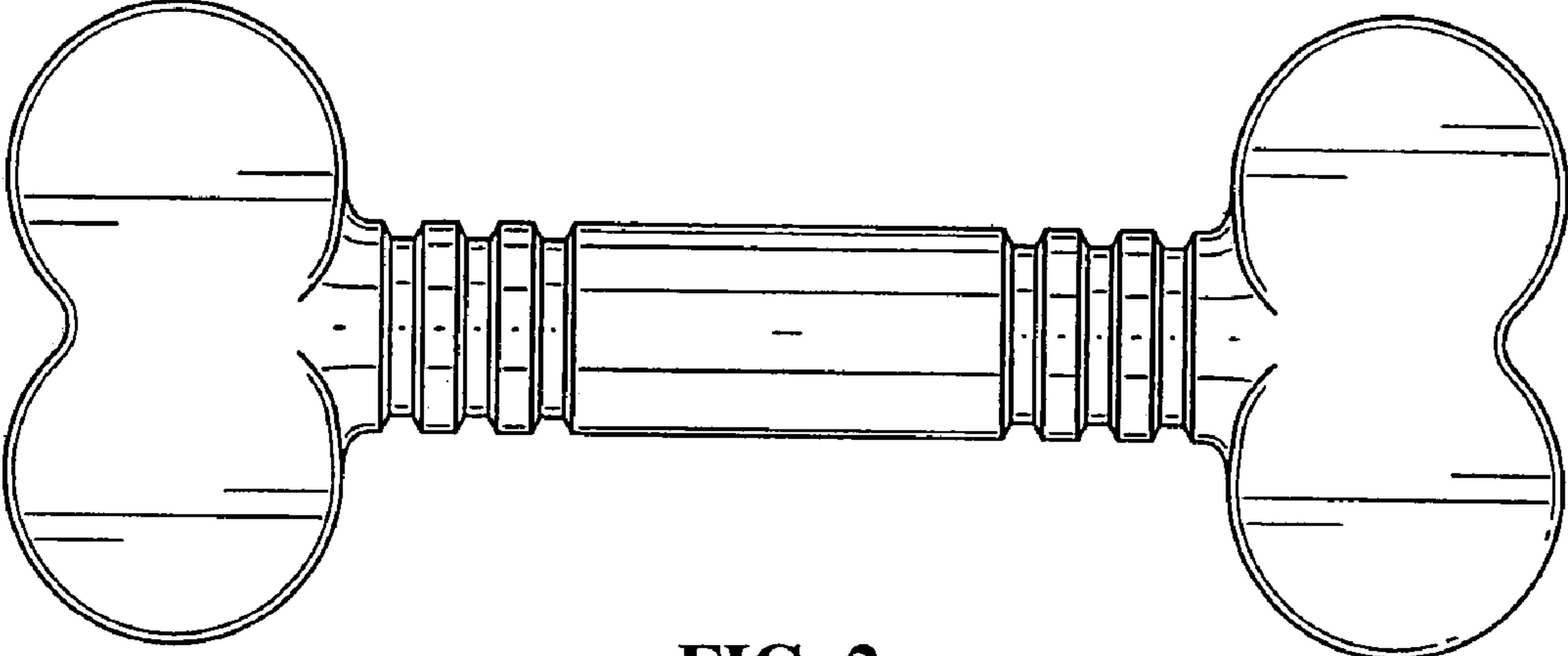


FIG. 2

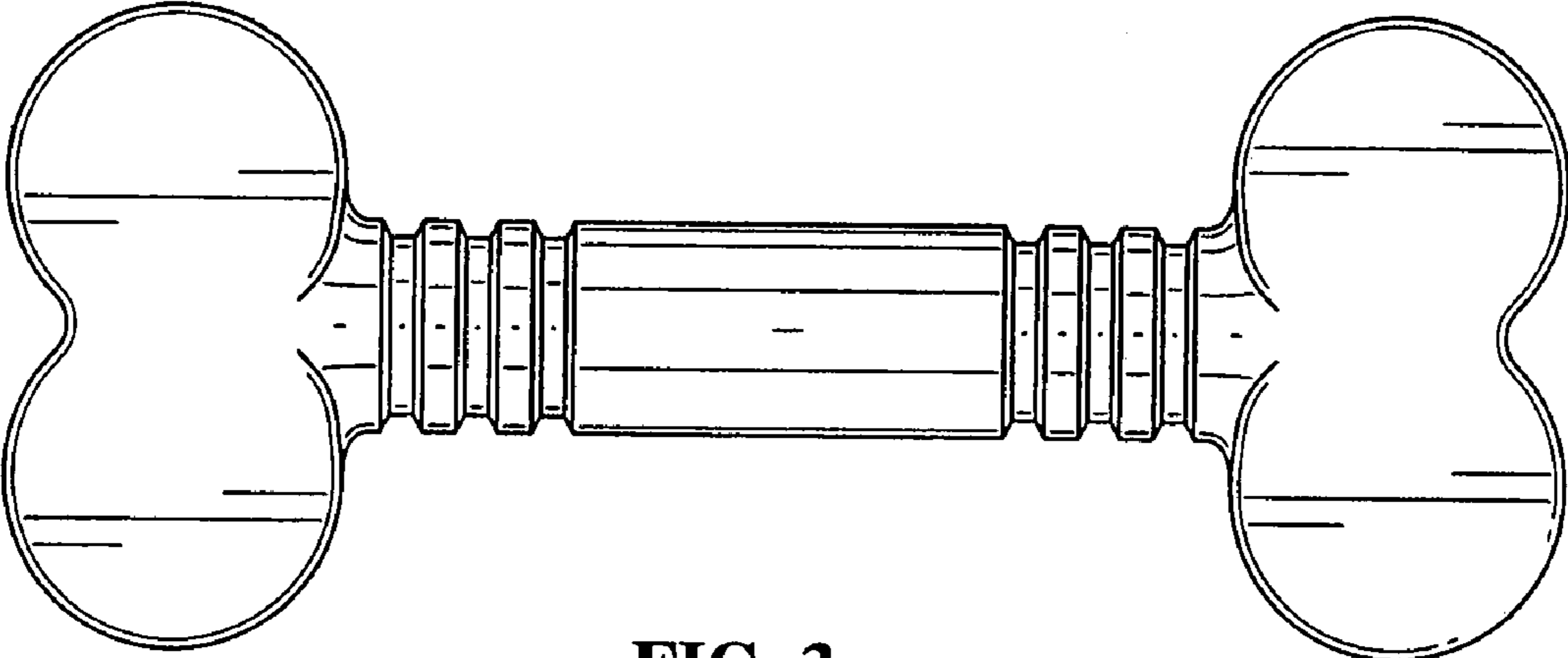


FIG. 3

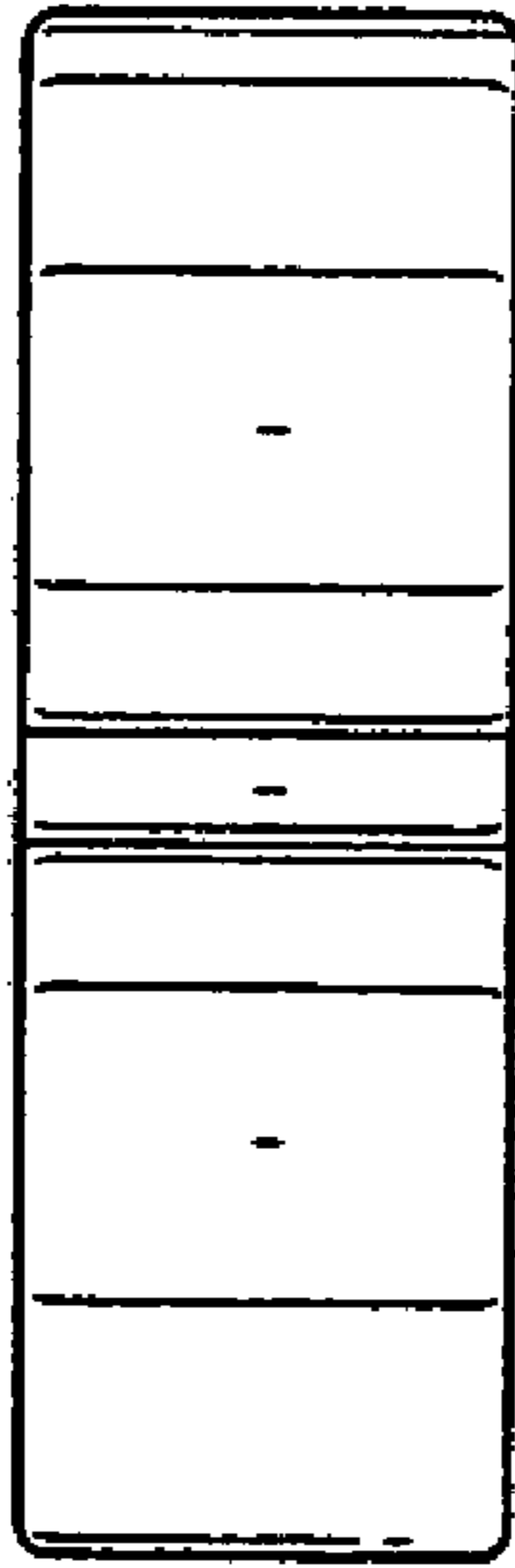


FIG. 4

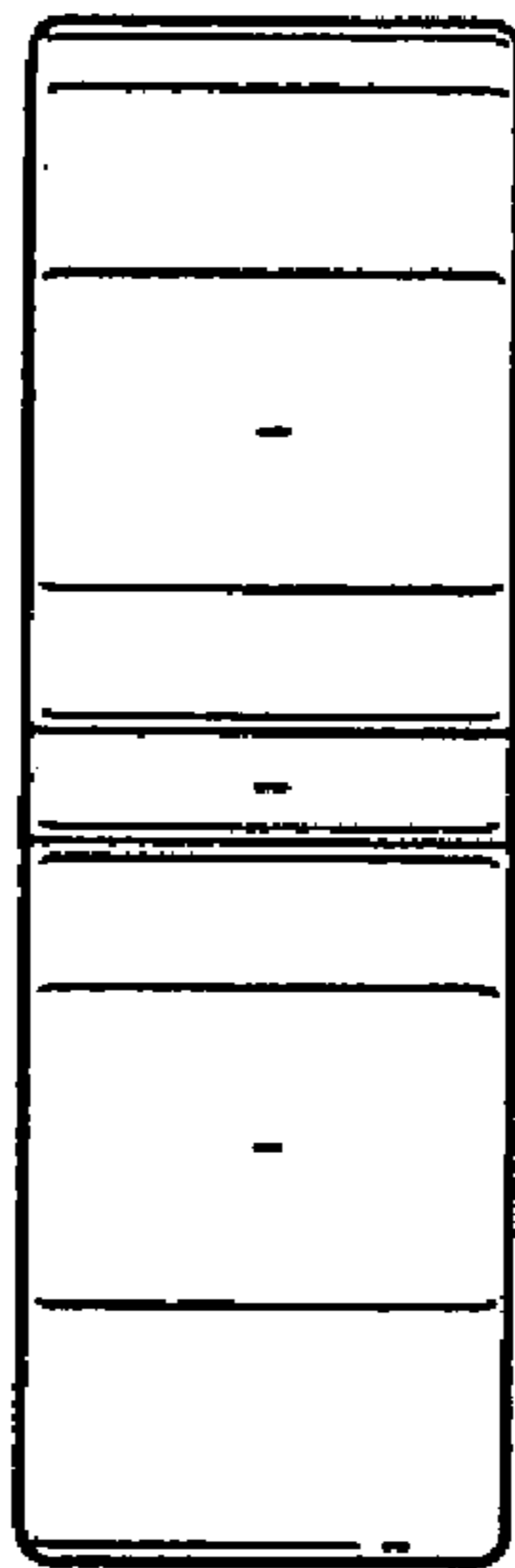


FIG. 5

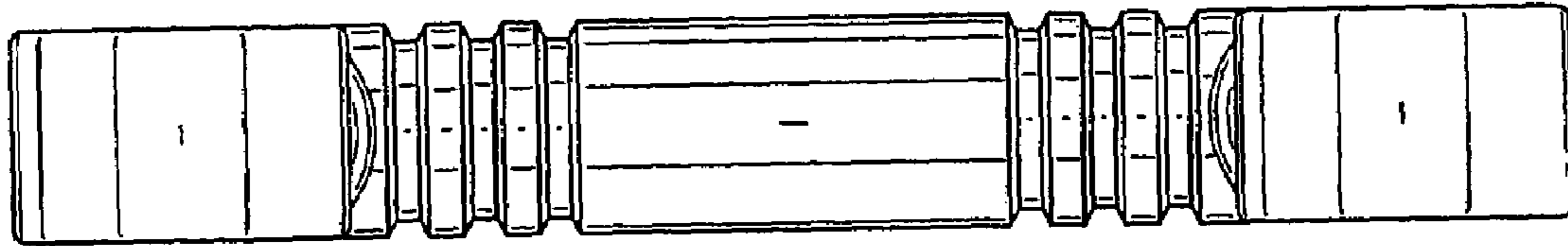


FIG. 6

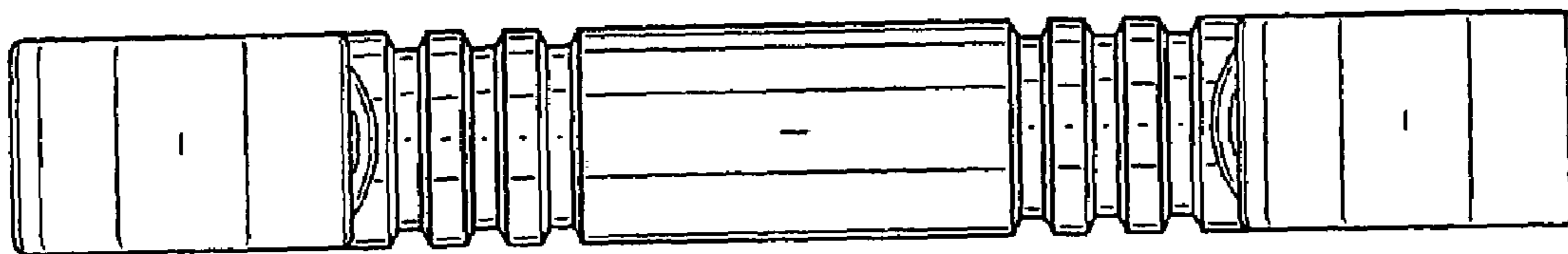


FIG. 7