



US00D576355S

(12) **United States Design Patent**
Murakami

(10) **Patent No.:** **US D576,355 S**

(45) **Date of Patent:** **** Sep. 2, 2008**

(54) **PAIR STABILIZERS FOR A MOTORCYCLE HELMET**

D517,744 S * 3/2006 Lee et al. D29/122

* cited by examiner

(75) Inventor: **Takeshi Murakami**, Osaka (JP)

Primary Examiner—Holly H Baynham

(73) Assignee: **OGK Kabuto Co., Ltd.**, Osaka (JP)

(74) *Attorney, Agent, or Firm*—Birch, Stewart, Kolasch & Birch, LLP

(**) Term: **14 Years**

(57) **CLAIM**

(21) Appl. No.: **29/272,475**

The ornamental design for a pair of stabilizers for a motorcycle helmet, as shown and described.

(22) Filed: **Feb. 9, 2007**

(30) **Foreign Application Priority Data**

DESCRIPTION

Aug. 9, 2006 (JP) 2006-021176

FIG. 1 is a perspective view from the lower position of the rear of a pair of stabilizers for a motorcycle helmet showing my new design;

(51) **LOC (8) Cl.** **29-02**

FIG. 2 is a rear elevational view thereof;

(52) **U.S. Cl.** **D29/122**

FIG. 3 is a bottom plan view thereof;

(58) **Field of Classification Search** D29/107,
D29/122; D2/946; 2/421-422
See application file for complete search history.

FIG. 4 is a right side elevational view thereof; and,

FIG. 5 is a left side elevational view thereof.

(56) **References Cited**

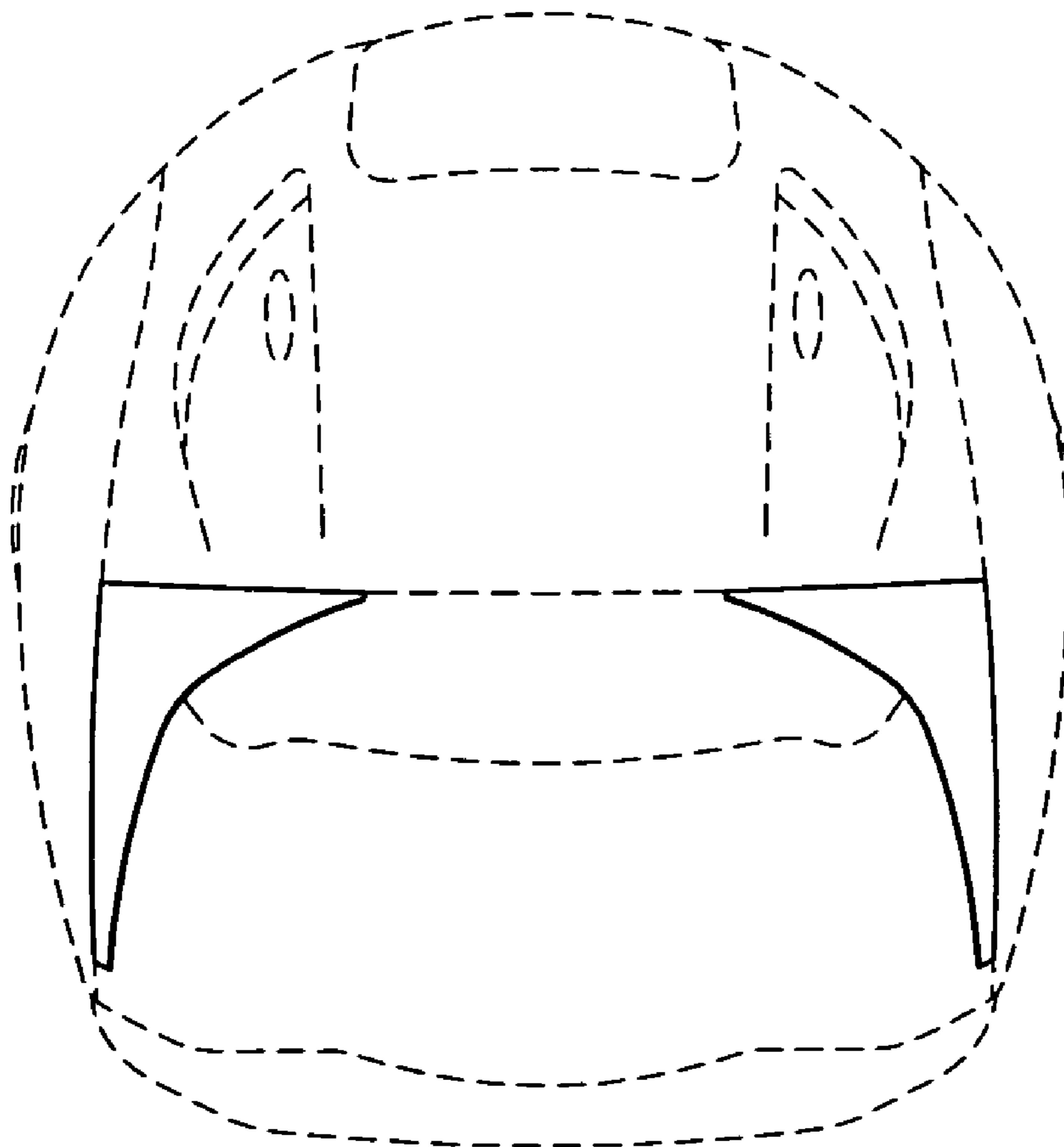
The broken lines shown in FIGS. 1-5 are for the purpose of showing environmental structure only and form no part of the claimed design.

U.S. PATENT DOCUMENTS

D208,351 S * 8/1967 Harmer D29/122

D245,646 S * 9/1977 Land, Jr. D29/122

1 Claim, 3 Drawing Sheets



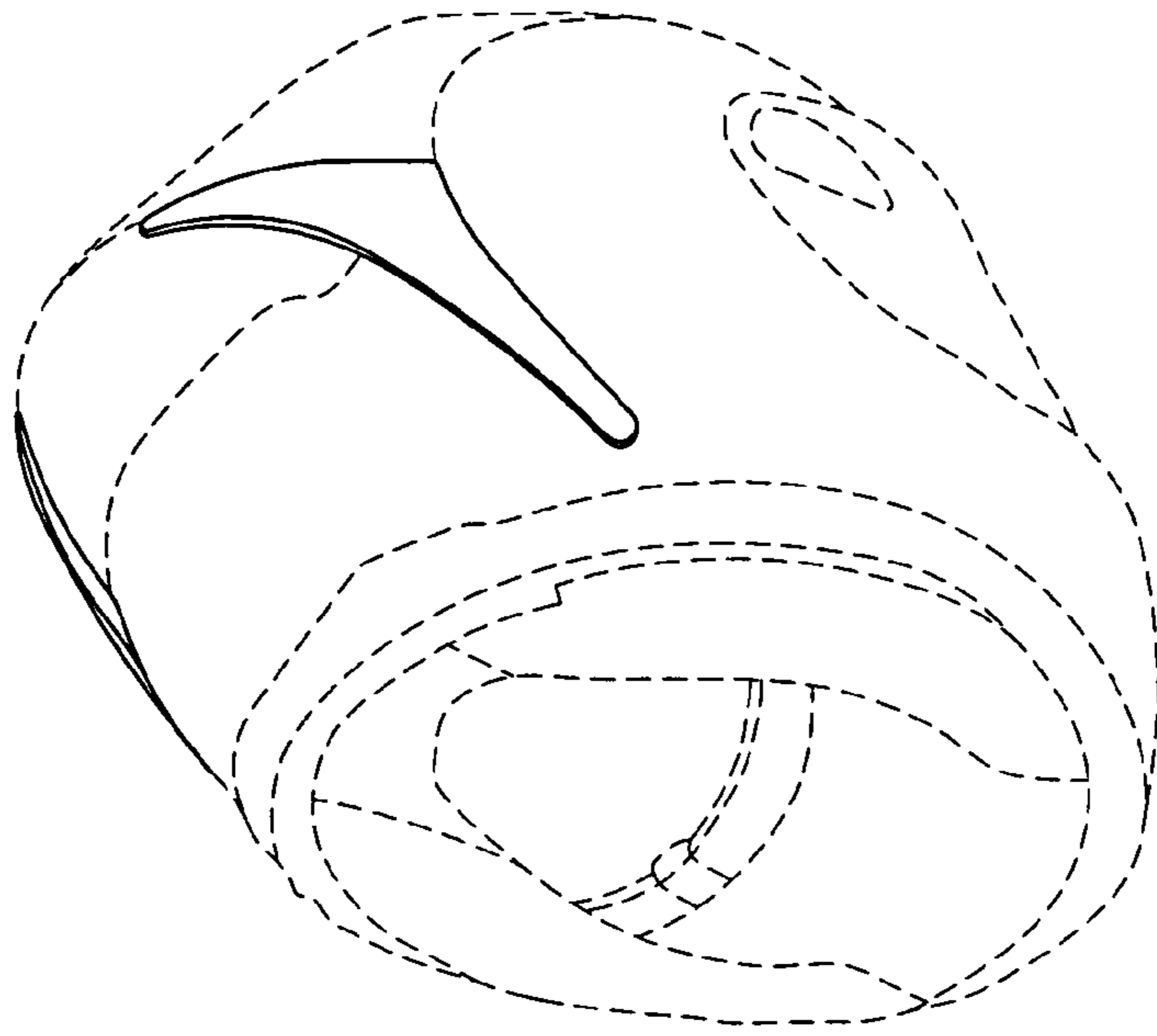


FIG. 1

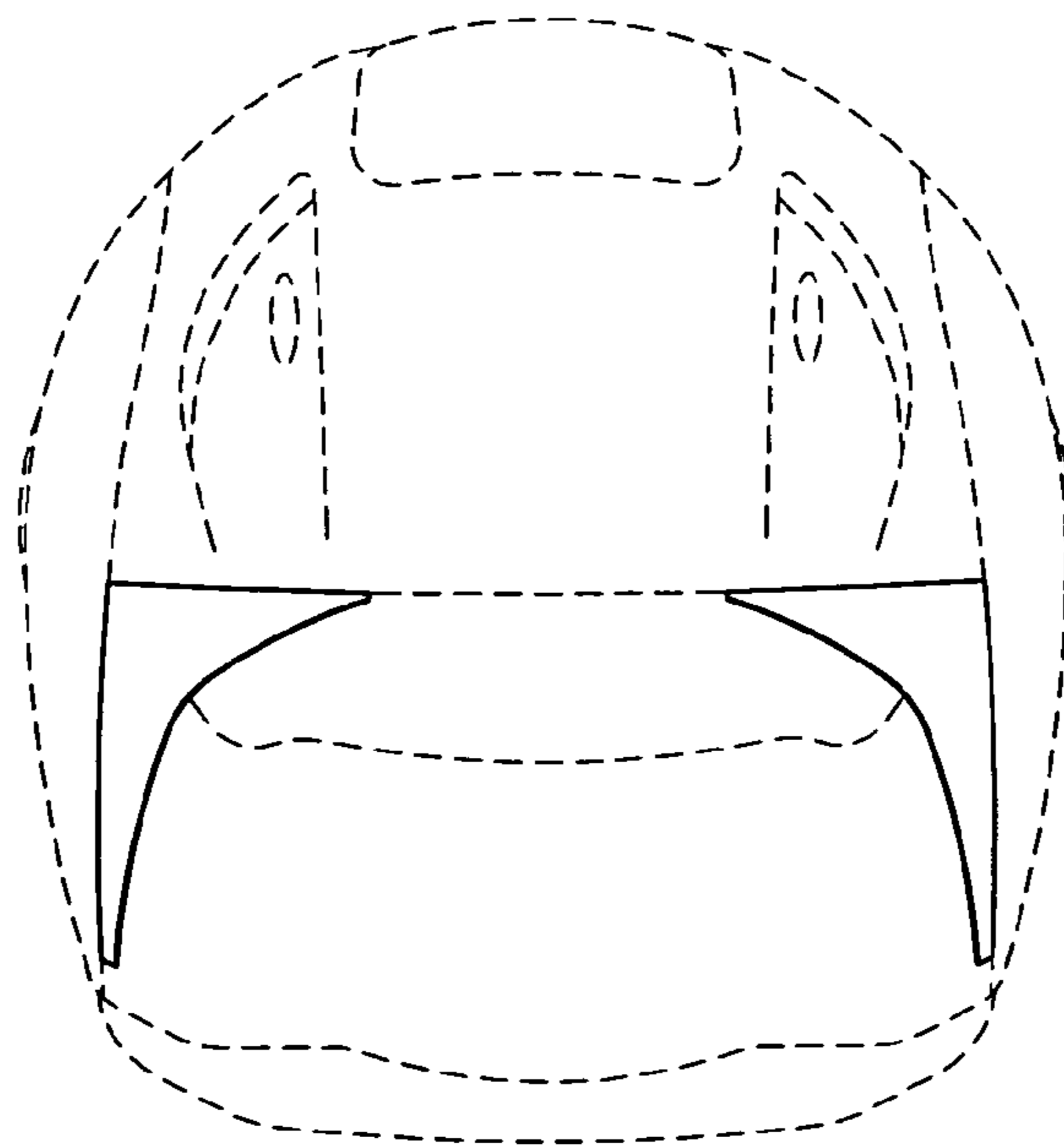


FIG. 2

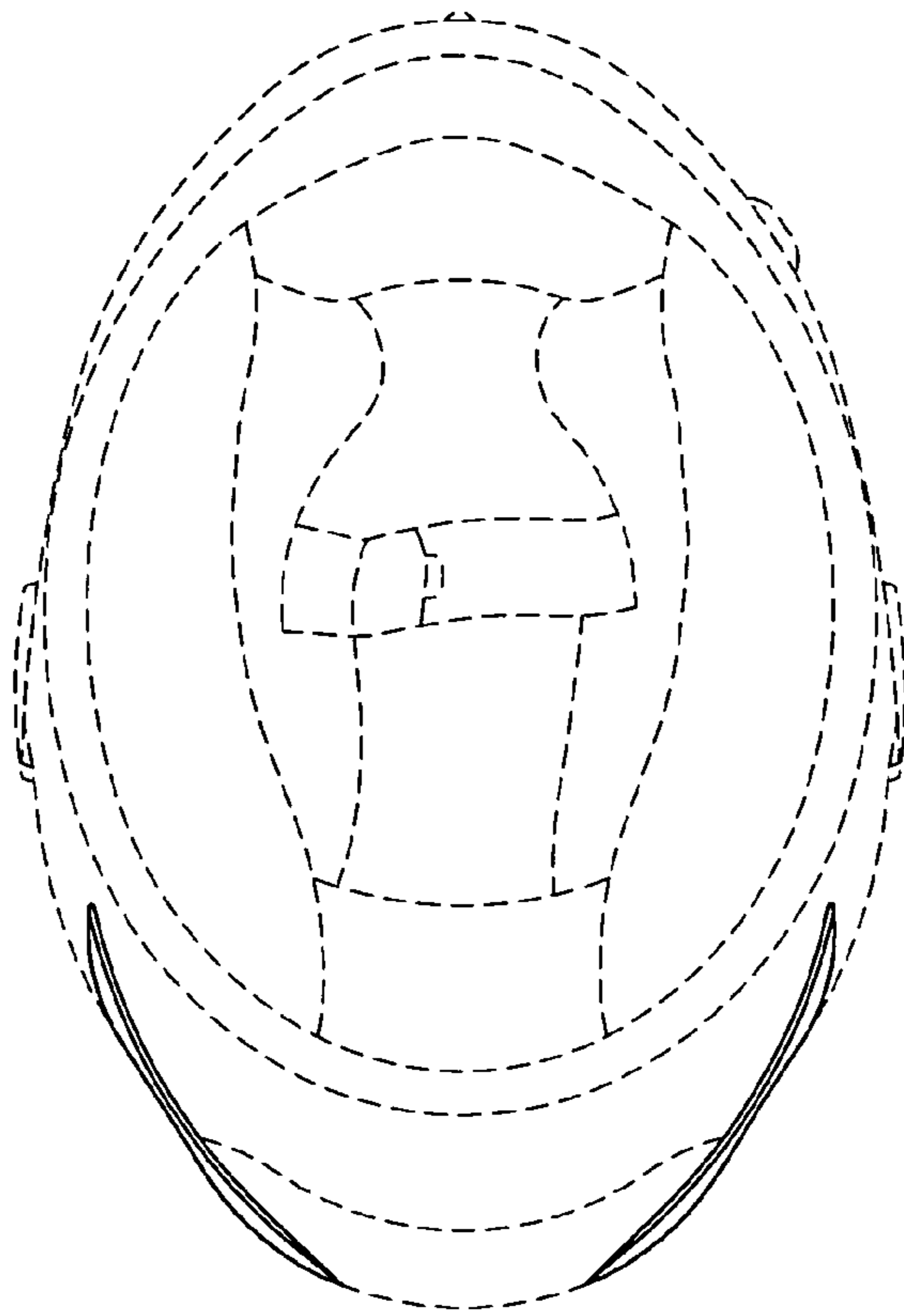


FIG.3

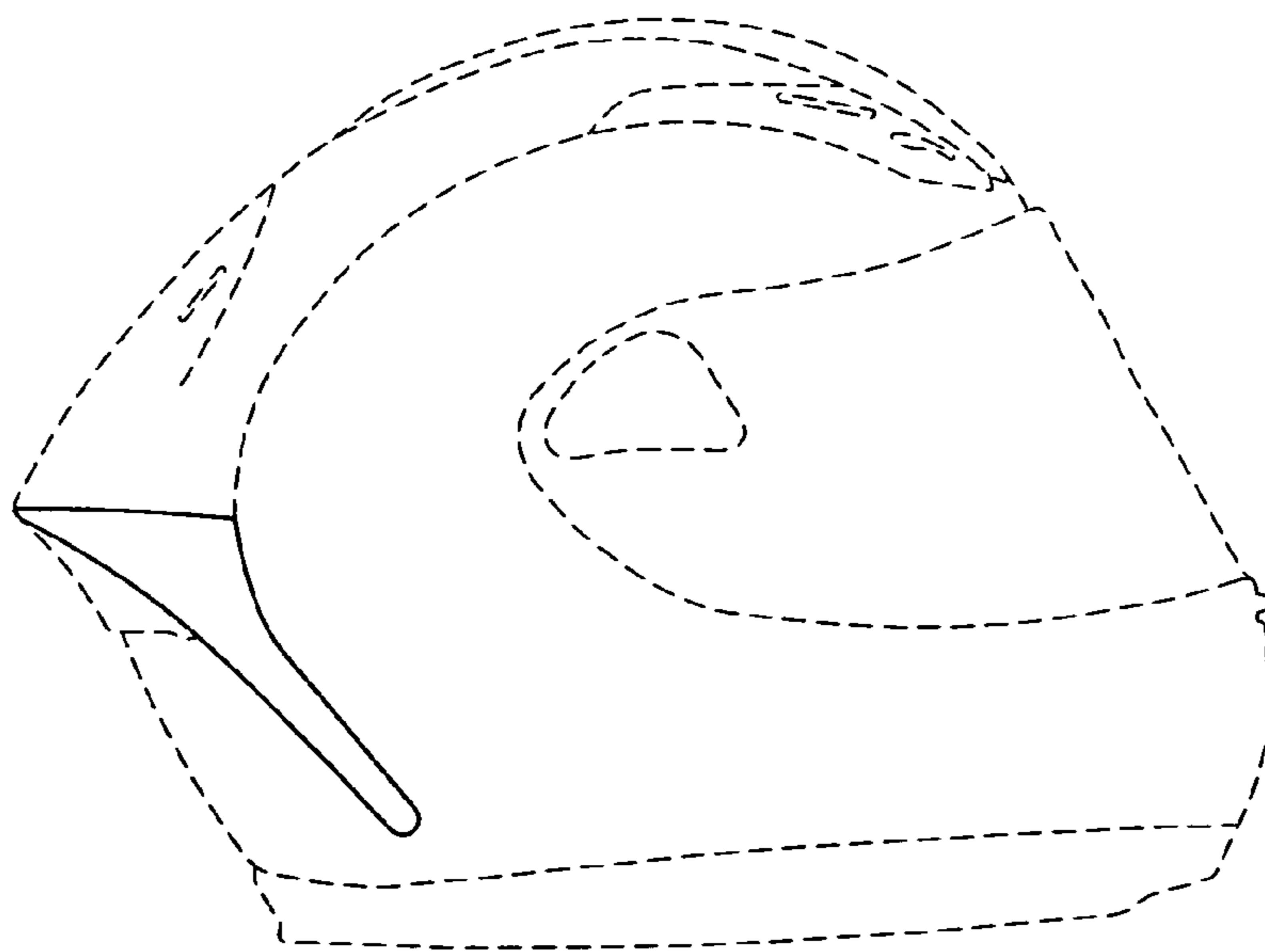


FIG.4

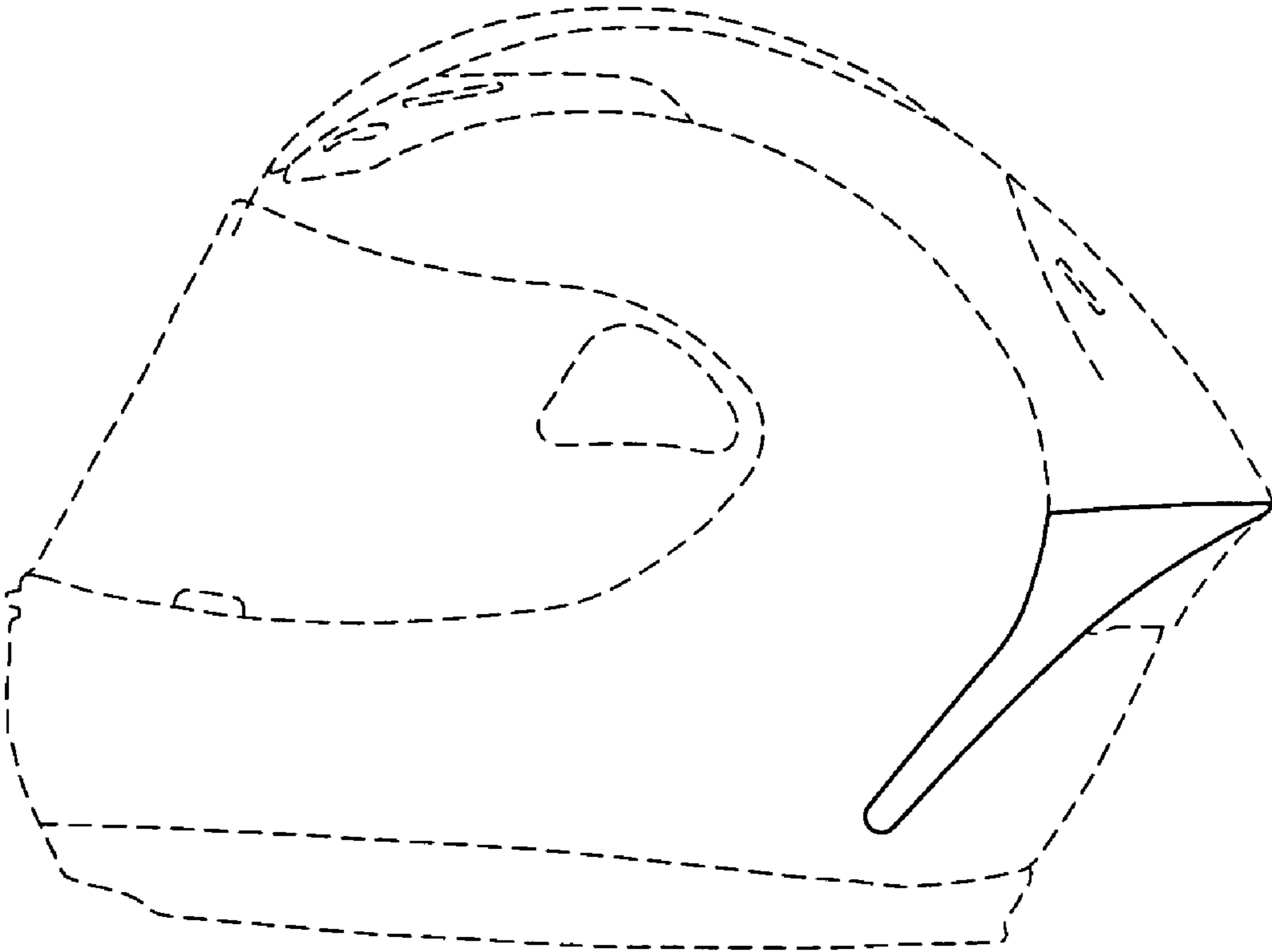


FIG.5