



US00D576350S

(12) **United States Design Patent**
Wu

(10) **Patent No.:** **US D576,350 S**
(45) **Date of Patent:** **** Sep. 2, 2008**

(54) **ASHTRAY WITH EXTINGUISHER**

(75) Inventor: **Aiming Wu**, No. 236 West Liming Road,
Wenzhou 325000 (CN)

(73) Assignees: **Xiangwei Wang**, Wenzhou, Zhejiang
Province (CN); **Aiming Wu**, Wenzhou,
Zhejiang Province (CN)

(**) Term: **14 Years**

(21) Appl. No.: **29/299,737**

(22) Filed: **Jan. 3, 2008**

(30) **Foreign Application Priority Data**

Oct. 6, 2007 (CN) 2007 3 0323814

(51) **LOC (8) Cl.** **27-03**

(52) **U.S. Cl.** **D27/133**

(58) **Field of Classification Search** D27/102,
D27/133-138; 131/235.1, 236, 128, 240.1,
131/241-242.6, 256; D11/154

See application file for complete search history.

(56) **References Cited**

U.S. PATENT DOCUMENTS

D211,921 S * 8/1968 Bourgeois D27/136

D309,352 S * 7/1990 Harder et al. D27/135
D361,154 S * 8/1995 Makinen D27/135
D463,615 S * 9/2002 Habibi et al. D27/138

* cited by examiner

Primary Examiner—Jennifer Rivard

(74) *Attorney, Agent, or Firm*—Frommer Lawrence & Haug
LLP; Ronald R. Santucci

(57) **CLAIM**

The ornamental design for an ashtray with extinguisher, as
shown and described.

DESCRIPTION

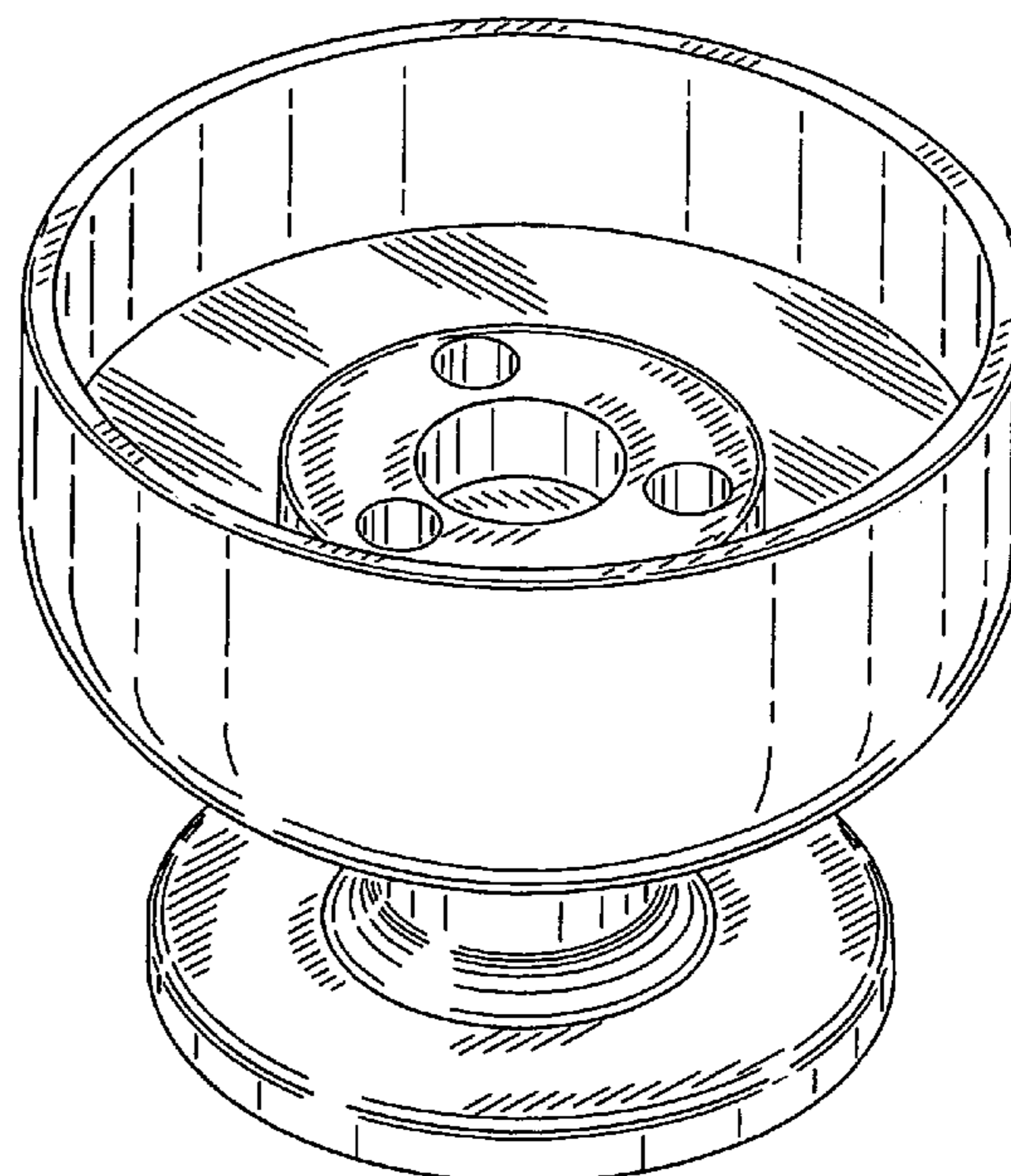
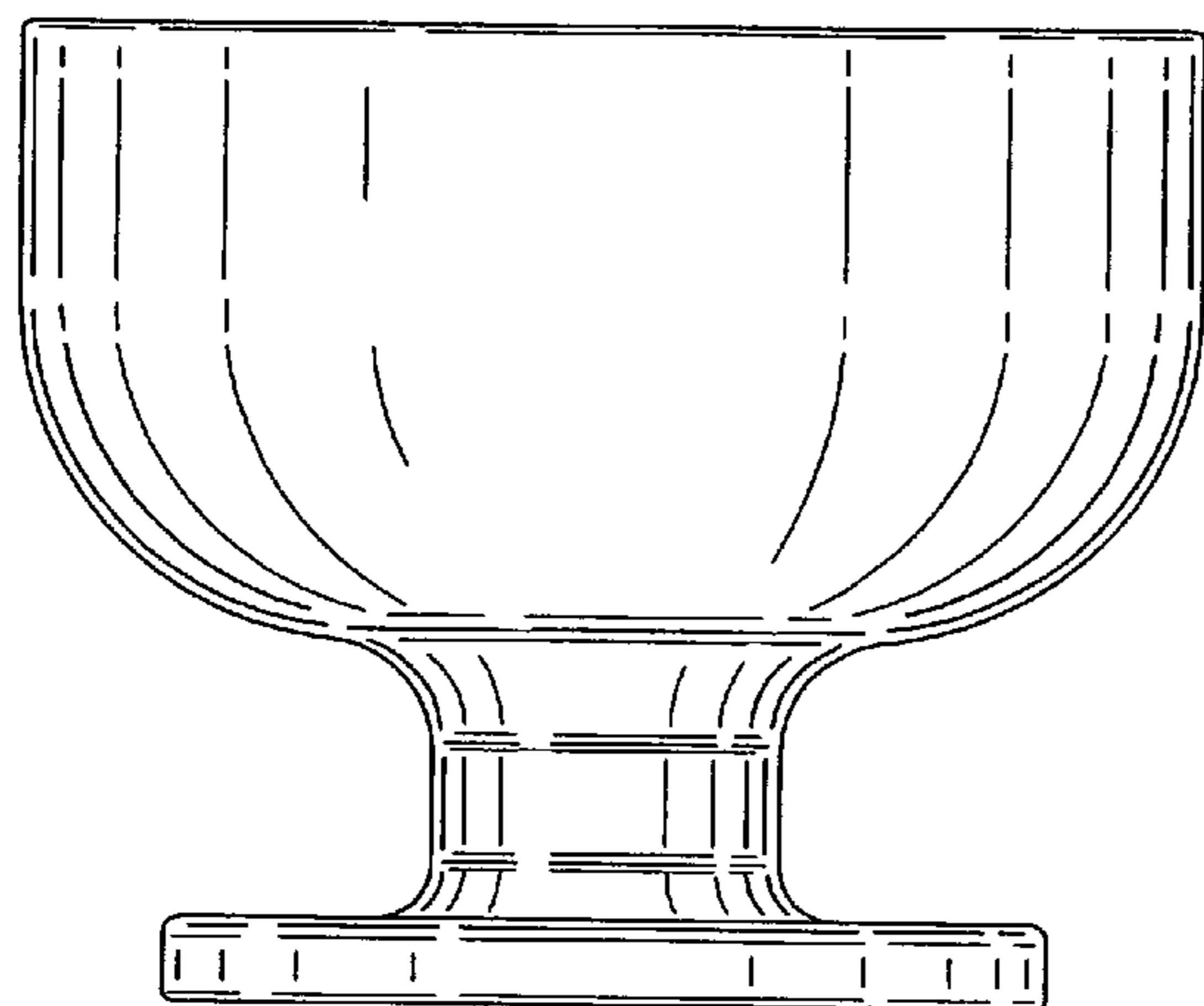
FIG. 1 is a front elevation view of the ashtray with extin-
guisher showing my new design, the left side view, right side
view and rear view being the same;

FIG. 2 is a top view thereof;

FIG. 3 is a bottom view thereof; and,

FIG. 4 is a top-front perspective view thereof.

1 Claim, 2 Drawing Sheets



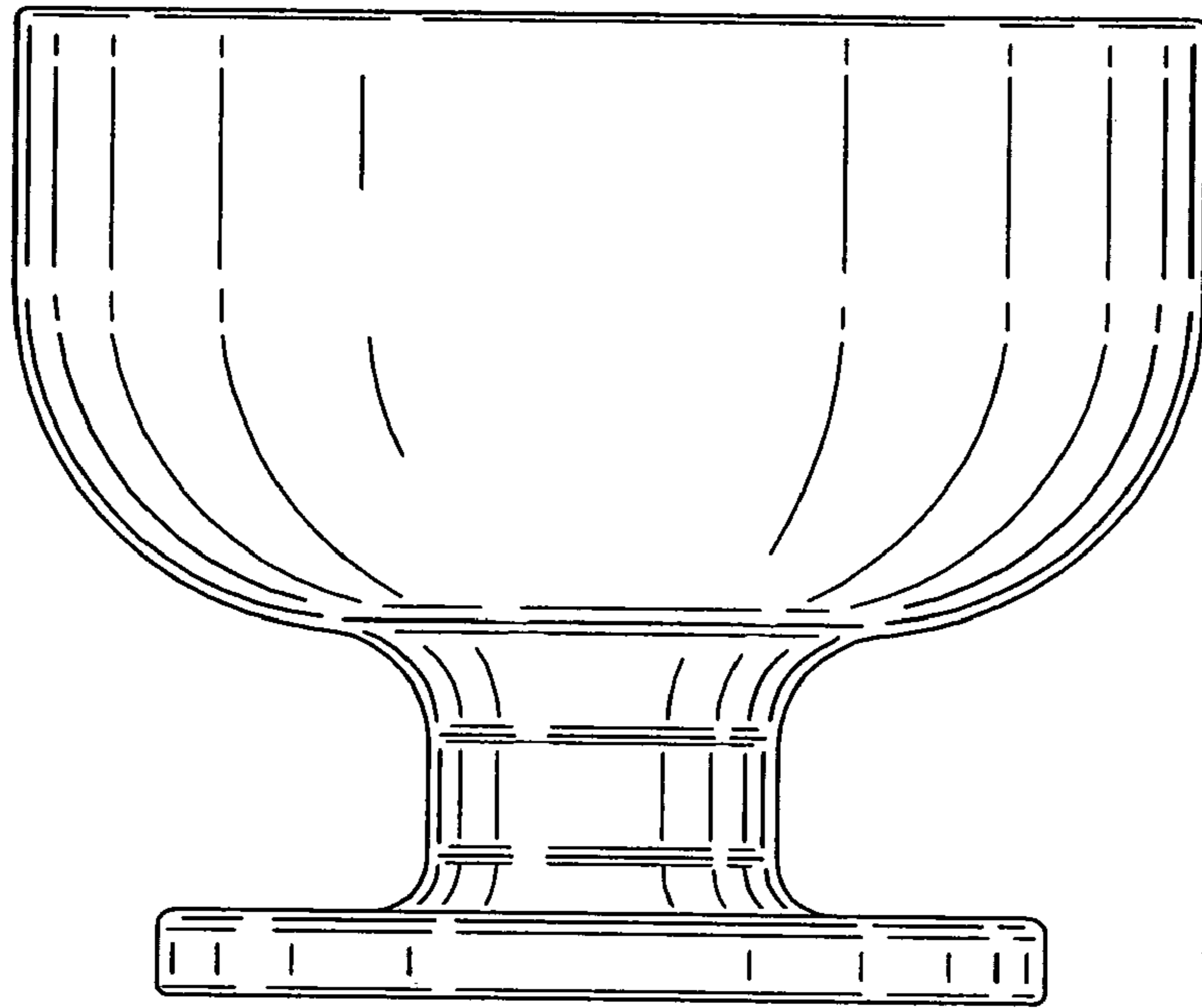


FIG. 1

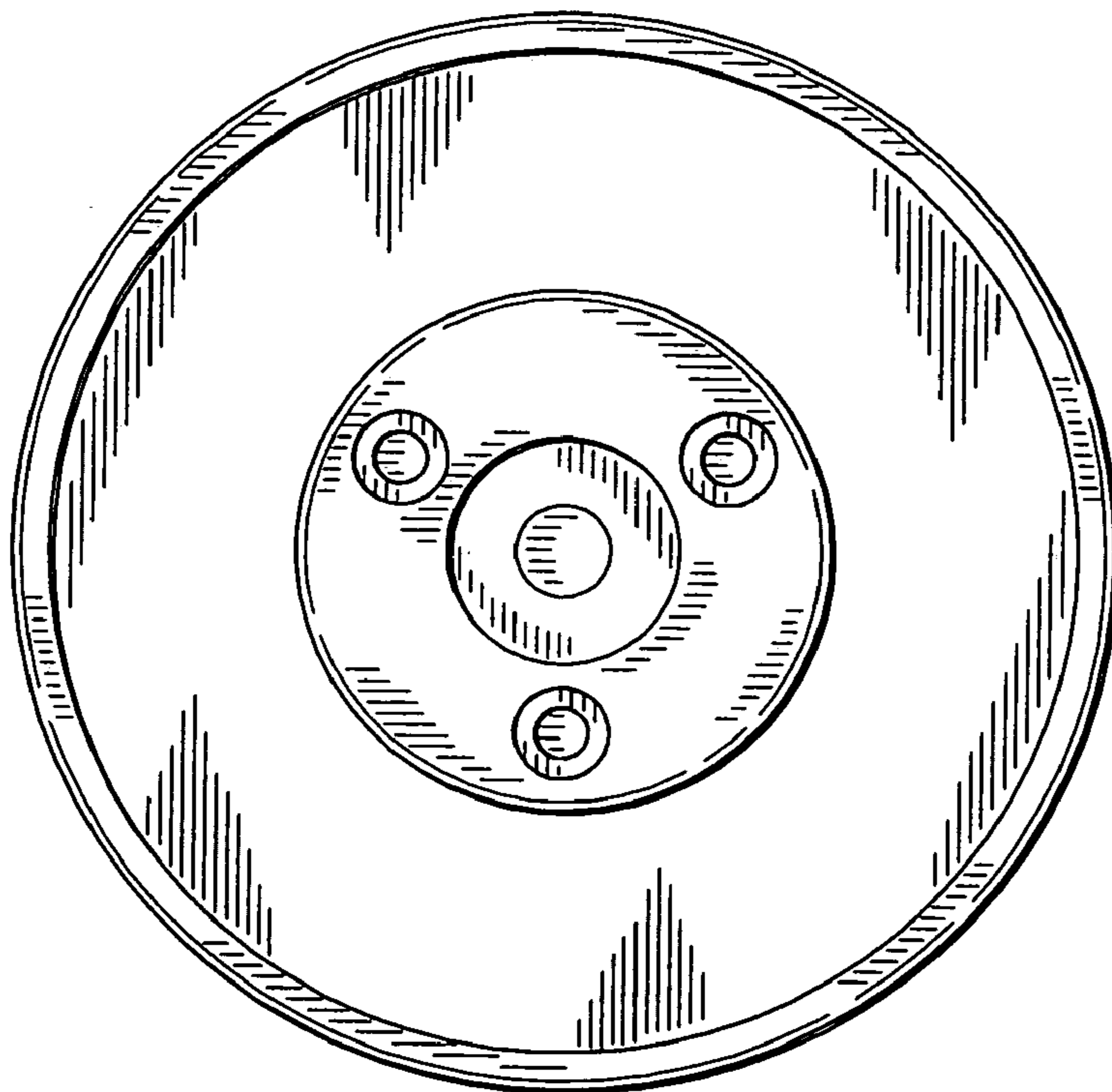


FIG. 2

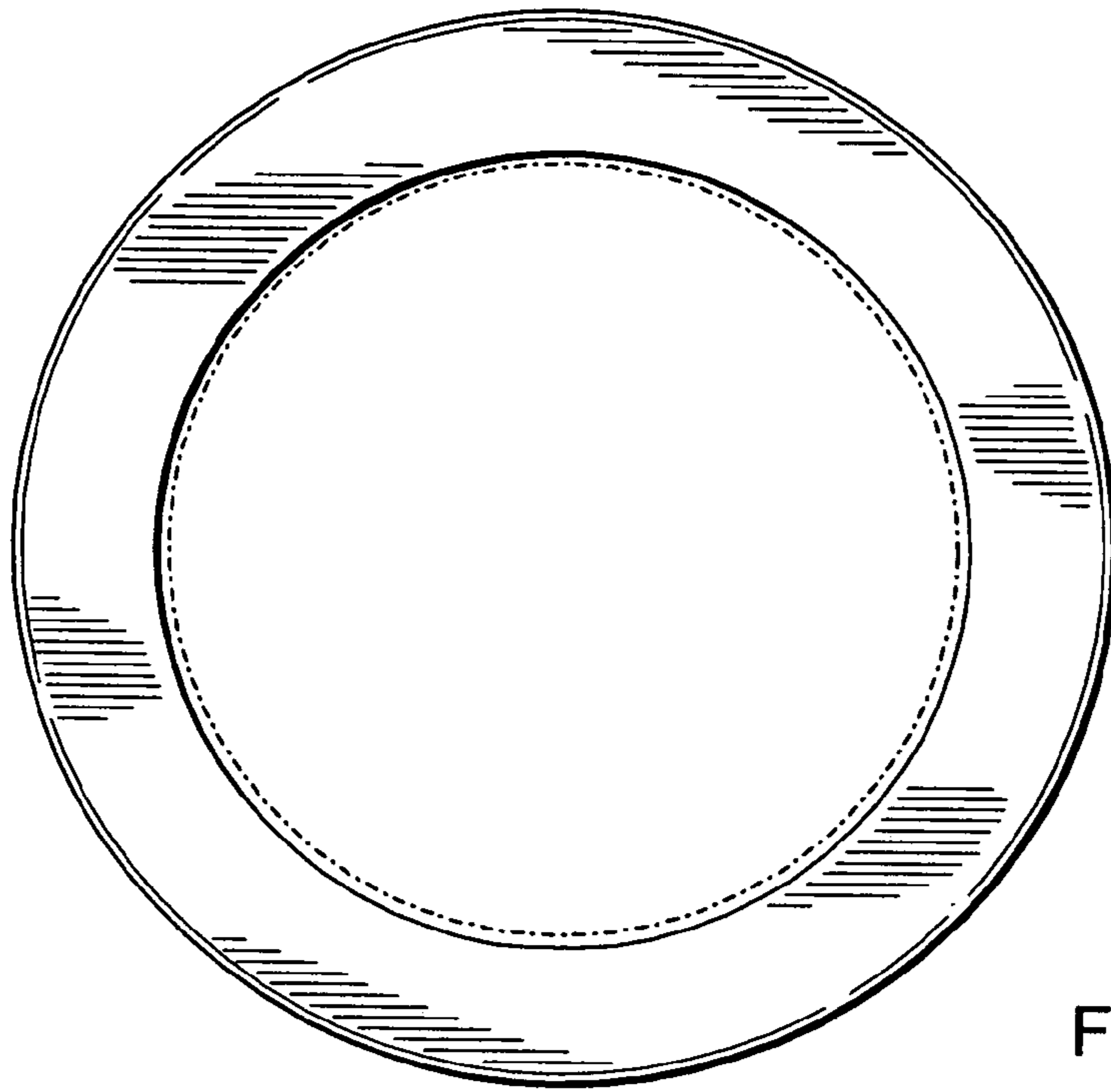


FIG. 3

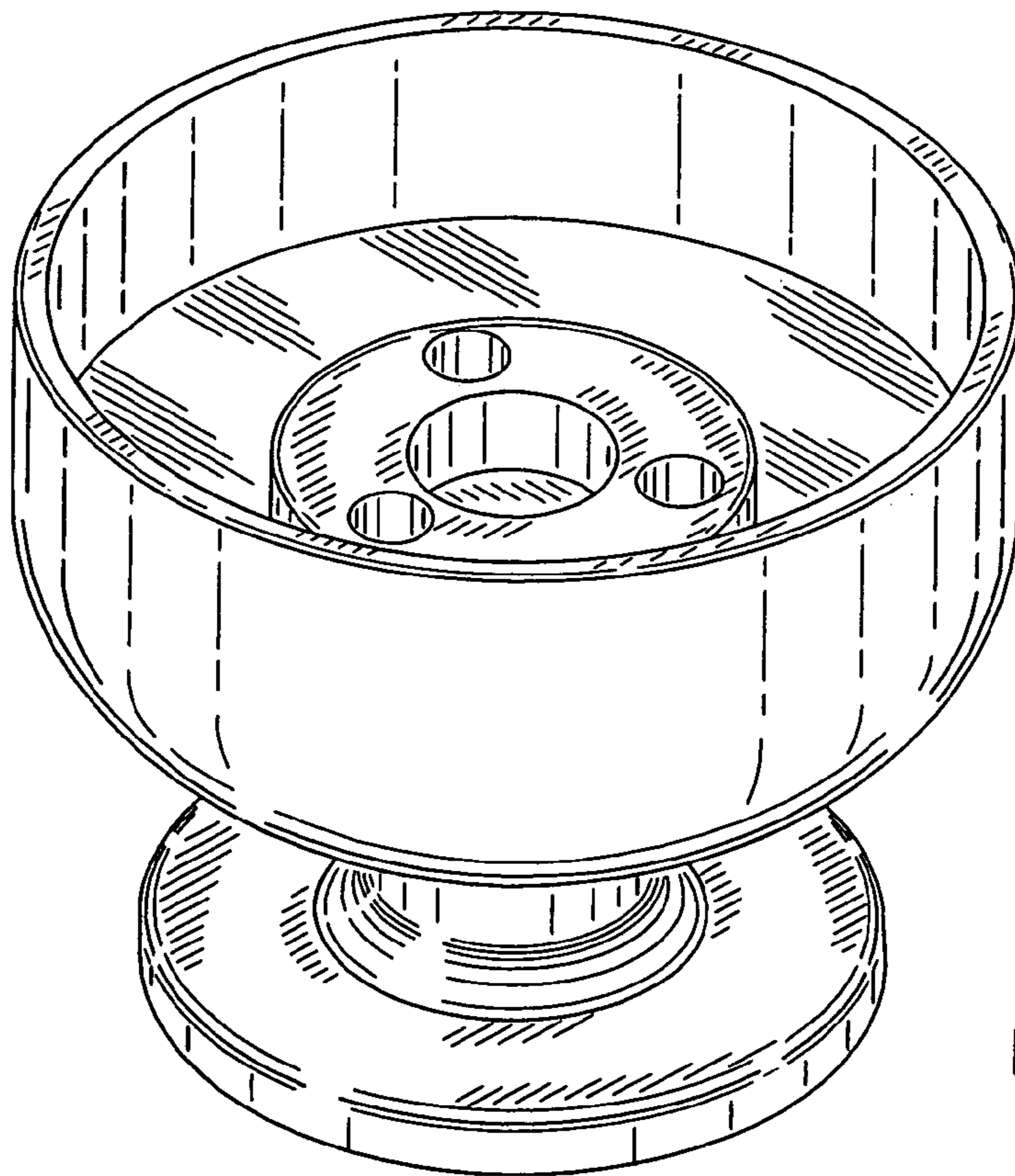


FIG. 4