



US00D576344S

(12) **United States Design Patent**  
**Conroy**

(10) **Patent No.:** **US D576,344 S**

(45) **Date of Patent:** **\*\* Sep. 2, 2008**

(54) **MALE PIN HOLDER FOR LIGHTING  
FIXTURE**

(75) Inventor: **David Conroy**, Brooklyn, NY (US)

(73) Assignee: **Lowel-Light Manufacturing, Inc.**,  
Brooklyn, NY (US)

(\*\*) Term: **14 Years**

(21) Appl. No.: **29/263,966**

(22) Filed: **Aug. 1, 2006**

(51) **LOC (8) Cl.** ..... **26-99**

(52) **U.S. Cl.** ..... **D26/138**

(58) **Field of Classification Search** ..... D26/22,  
D26/24, 27, 61, 72, 75, 78, 92, 93, 81, 113,  
D26/118, 120, 121, 123, 124, 138, 140, 141,  
D26/142, 143, 144, 145, 149, 150, 151, 152,  
D26/153, 155; D10/69, 66, 70, 74; D13/133;  
439/315, 314, 681; 372/109, 107; 33/286,  
33/290, 227; 362/147, 172, 257, 259, 270,  
362/277, 362, 216, 370, 382, 391, 404, 405,  
362/434, 440, 441, 442, 551, 553, 615, 647,  
362/648

See application file for complete search history.

(56) **References Cited**

**U.S. PATENT DOCUMENTS**

3,701,965 A \* 10/1972 DuRocher et al. .... 439/86  
4,229,064 A \* 10/1980 Vetter et al. .... 439/680  
4,284,313 A \* 8/1981 Anhalt ..... 439/350  
5,389,014 A \* 2/1995 Kumpel et al. .... 439/752

5,662,488 A \* 9/1997 Alden ..... 439/314  
6,010,348 A \* 1/2000 Alden ..... 439/274  
6,226,068 B1 \* 5/2001 Arcykiewicz et al. .... 439/314  
6,336,822 B1 \* 1/2002 Luzzoli ..... 439/315  
6,364,681 B1 \* 4/2002 Watanabe ..... 439/335  
6,394,856 B1 \* 5/2002 Wertz ..... 439/681  
6,634,897 B2 \* 10/2003 Cykon et al. .... 439/320  
7,033,193 B2 \* 4/2006 Higgins et al. .... 439/277

\* cited by examiner

*Primary Examiner*—Freda S. Nunn

*Assistant Examiner*—Kevin K Rudzinski

(74) *Attorney, Agent, or Firm*—Notaro & Michalos P.C.

(57) **CLAIM**

The ornamental design for a male pin holder for lighting fixture, as shown and described.

**DESCRIPTION**

FIG. 1 is a perspective view of a male pin holder for lighting fixture showing my new design therefor;

FIG. 2 is a left side elevational view thereof;

FIG. 3 is right side elevational view thereof;

FIG. 4 is front elevational view thereof;

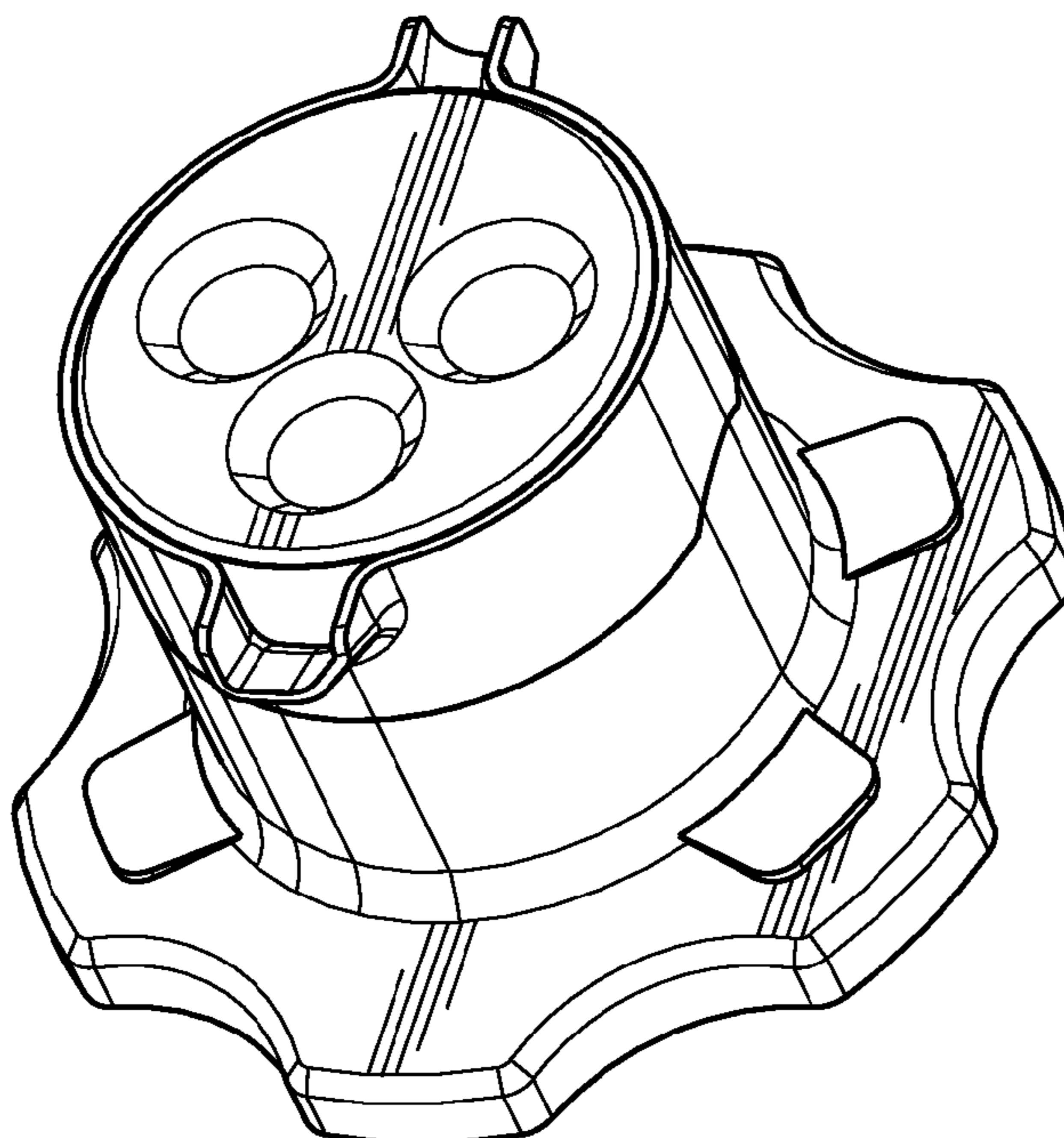
FIG. 5 is rear elevational view thereof;

FIG. 6 is top plan view thereof; and,

FIG. 7 is bottom plan view thereof.

The male pin holder of the present invention is meant for use in a housing for a lamp head used in a lighting fixture.

**1 Claim, 7 Drawing Sheets**



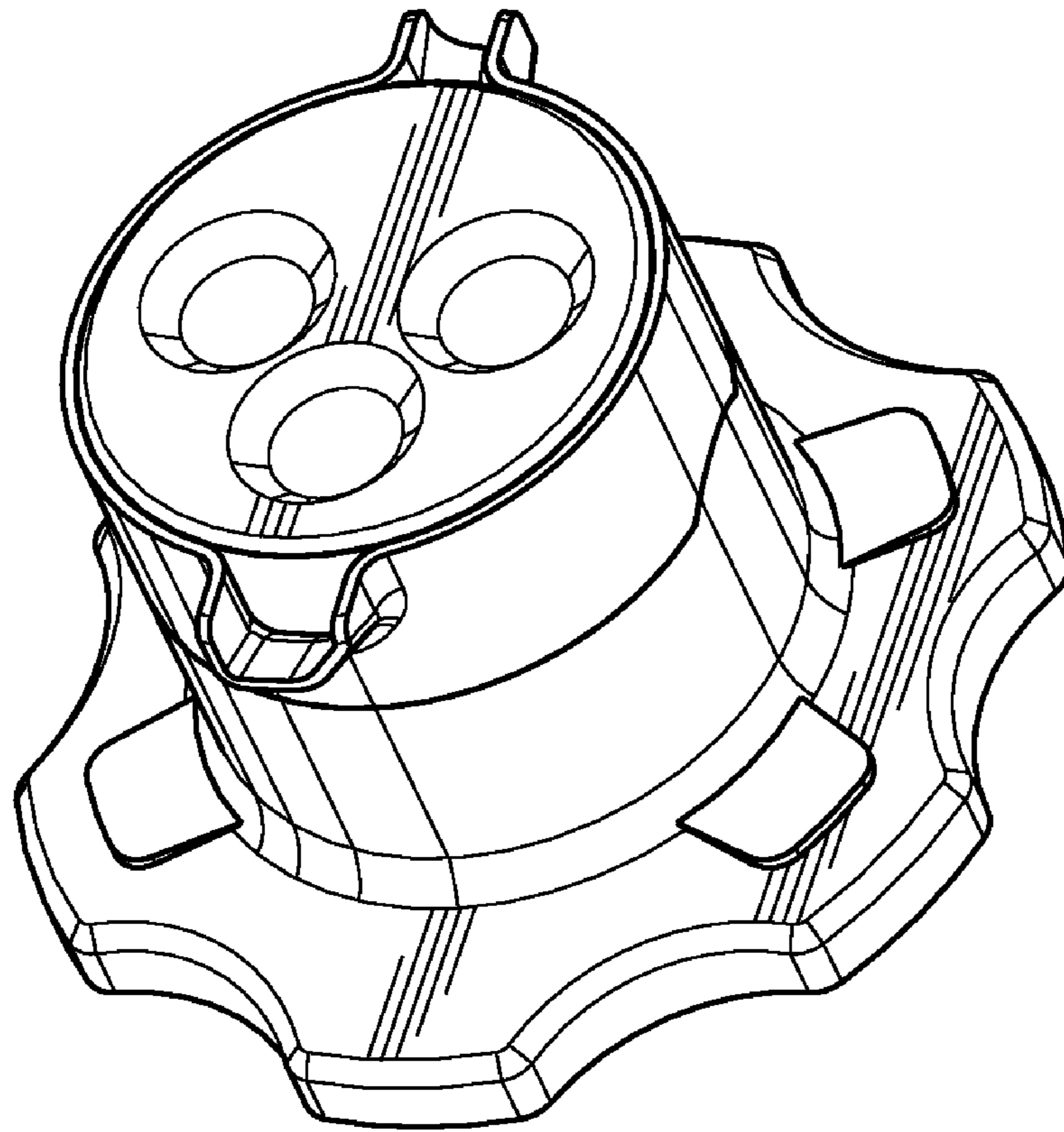


FIG. 1

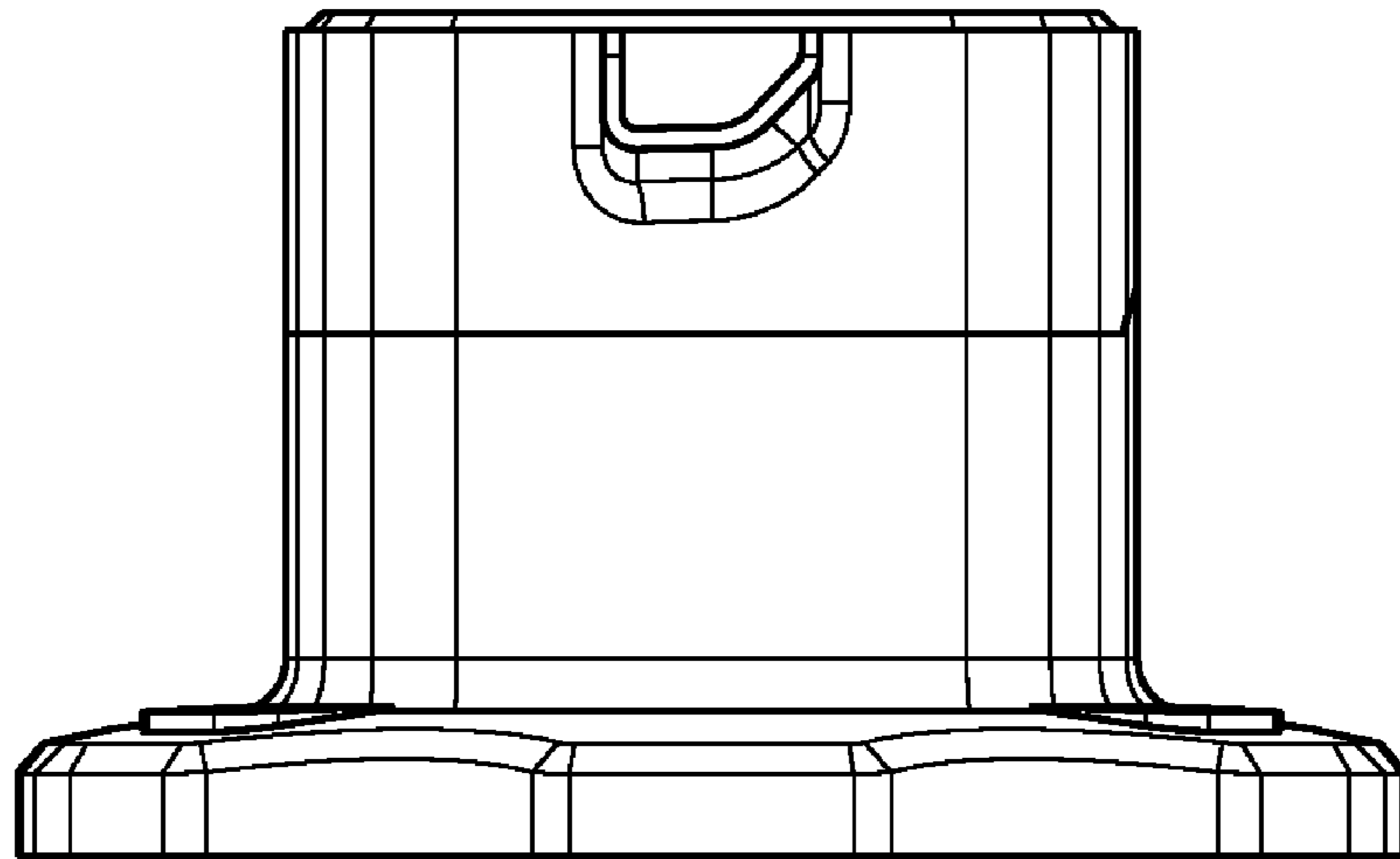


FIG. 2

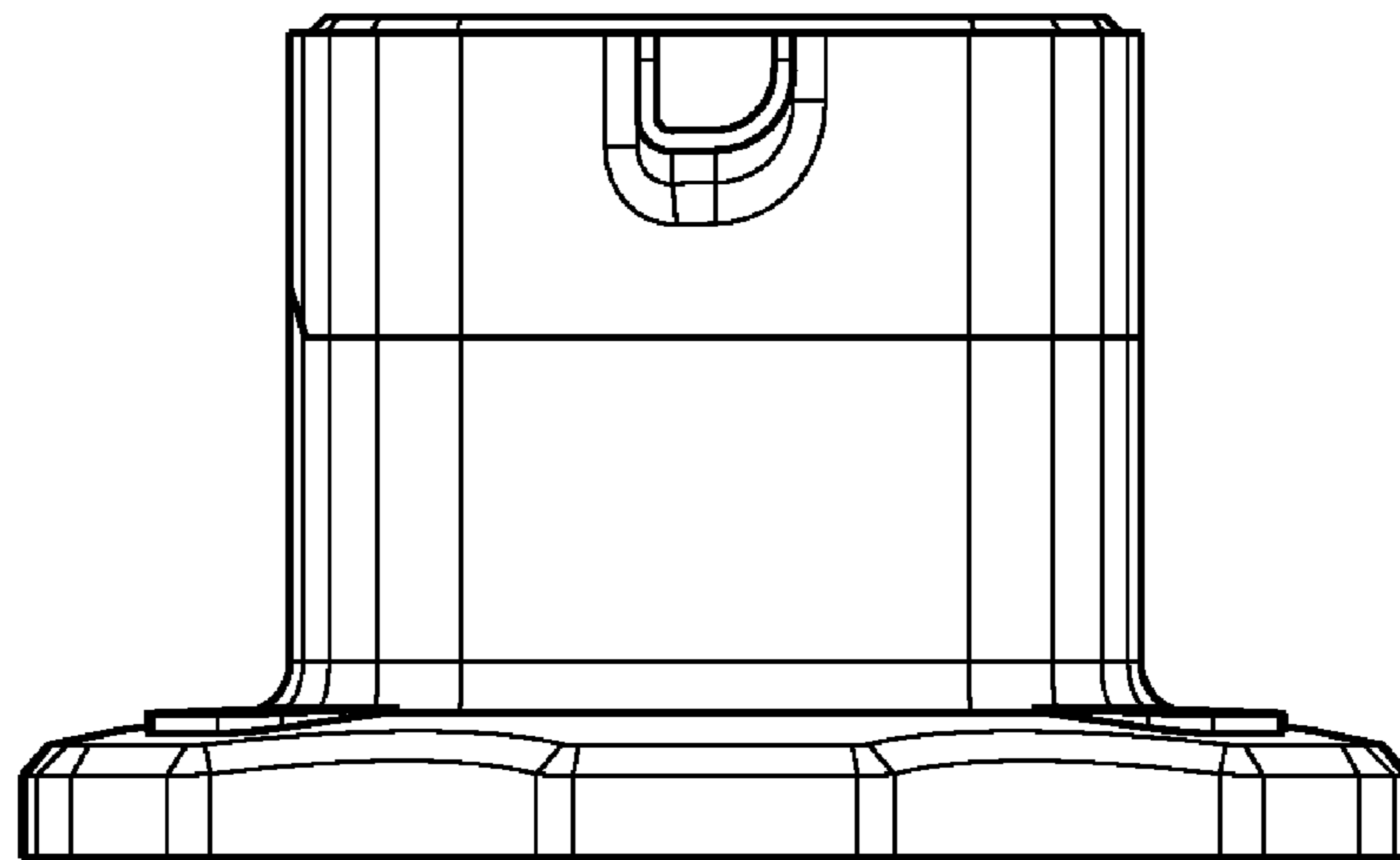


FIG. 3

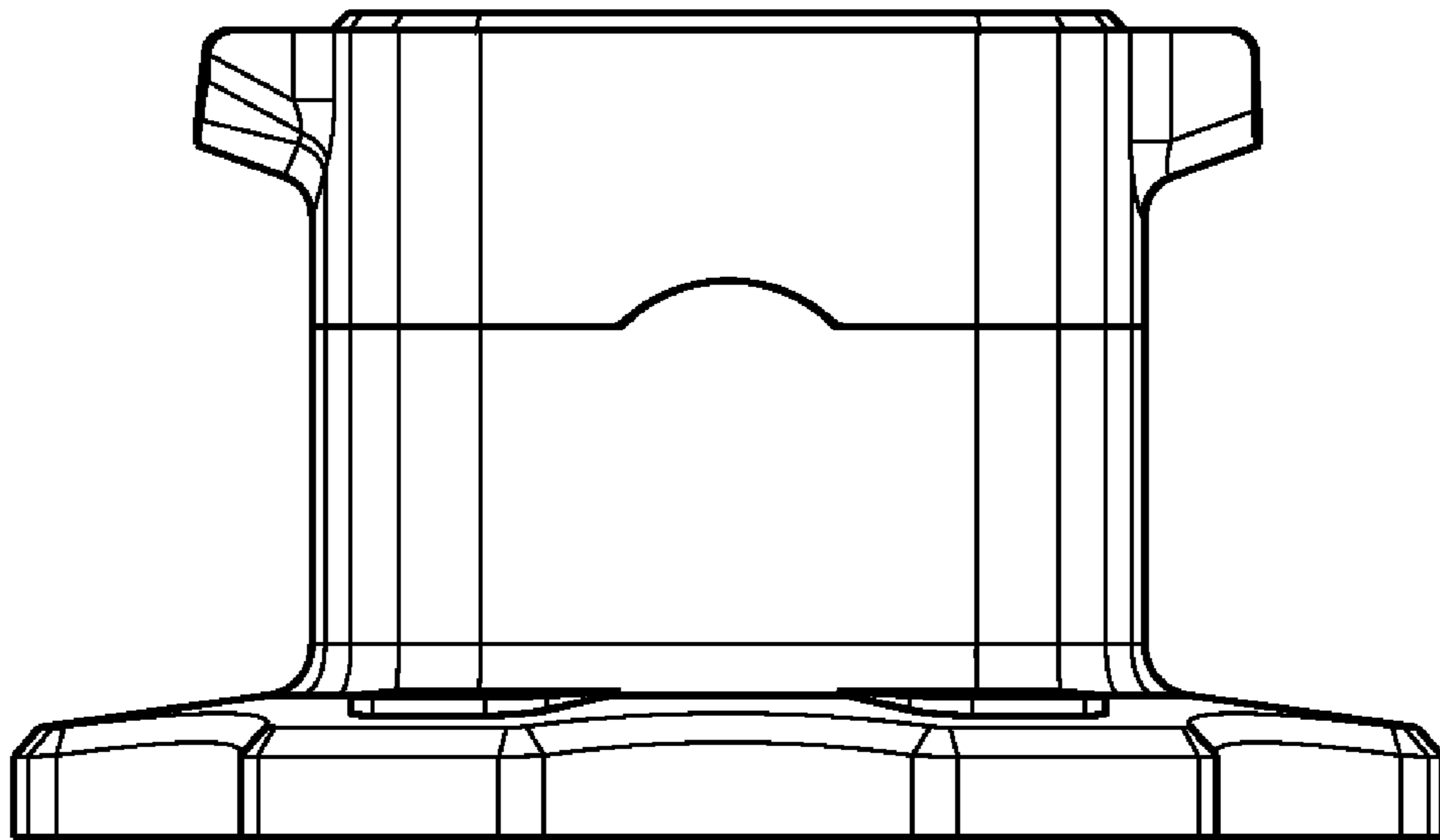


FIG. 4

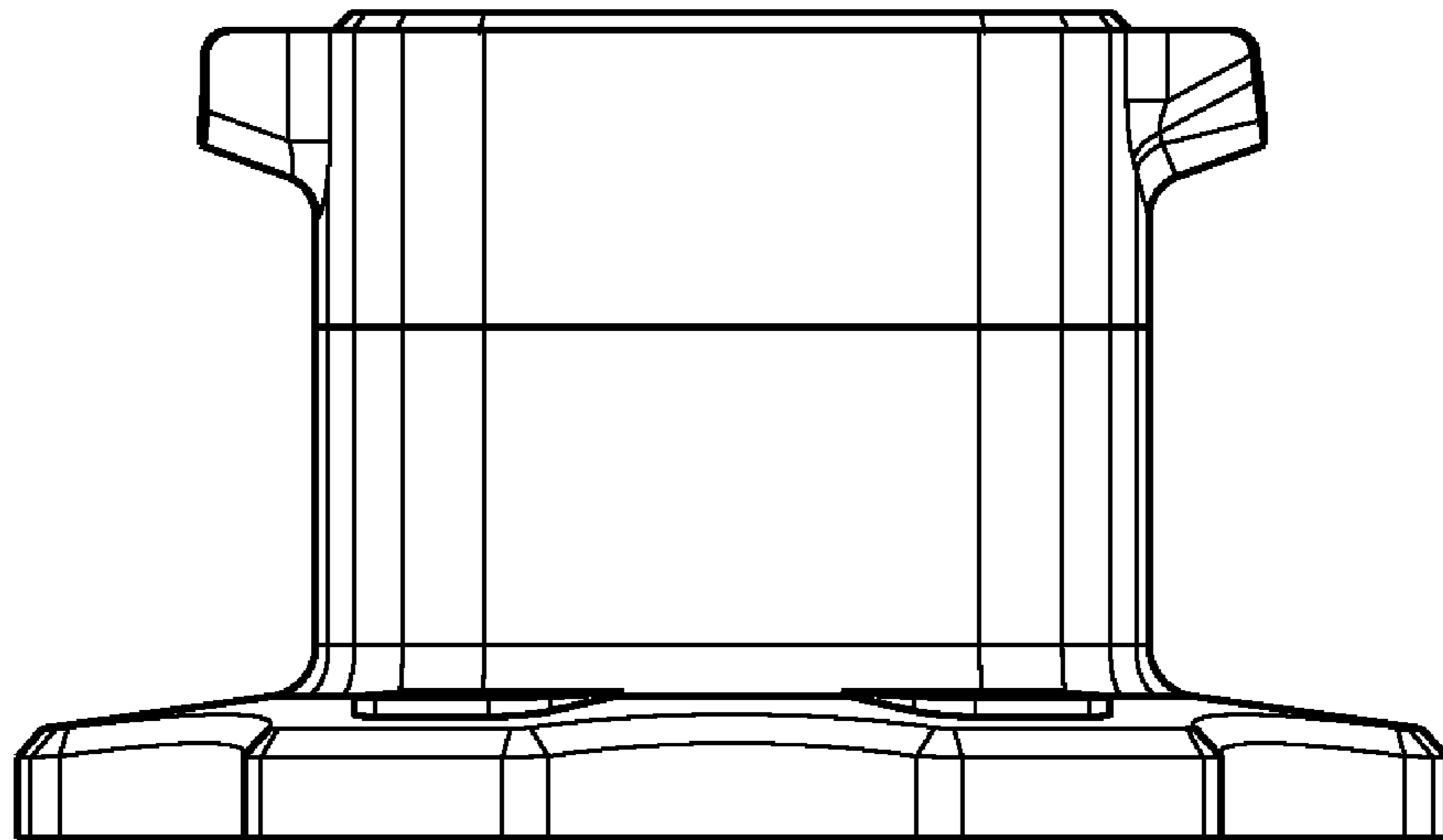


FIG. 5

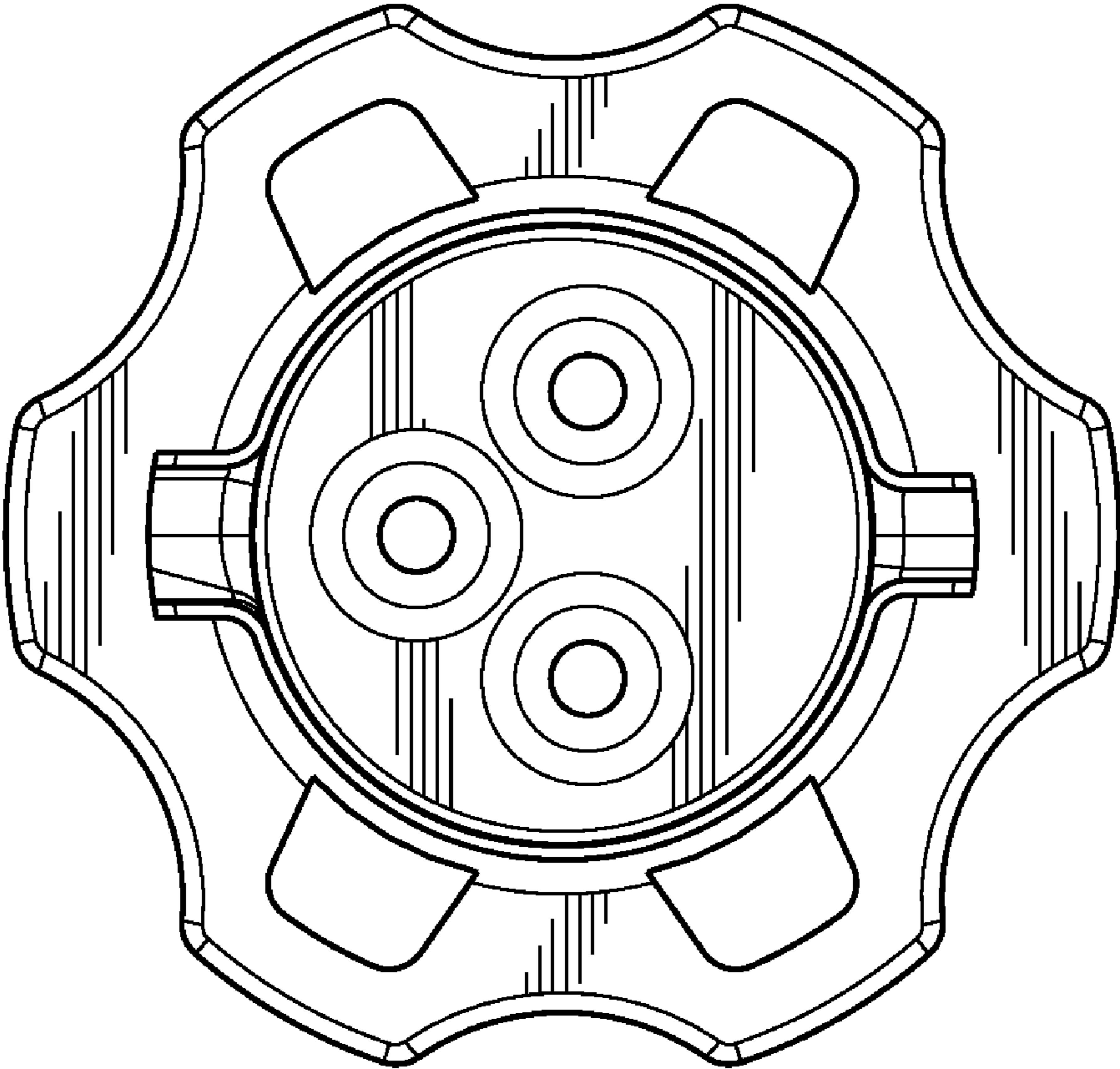


FIG. 6

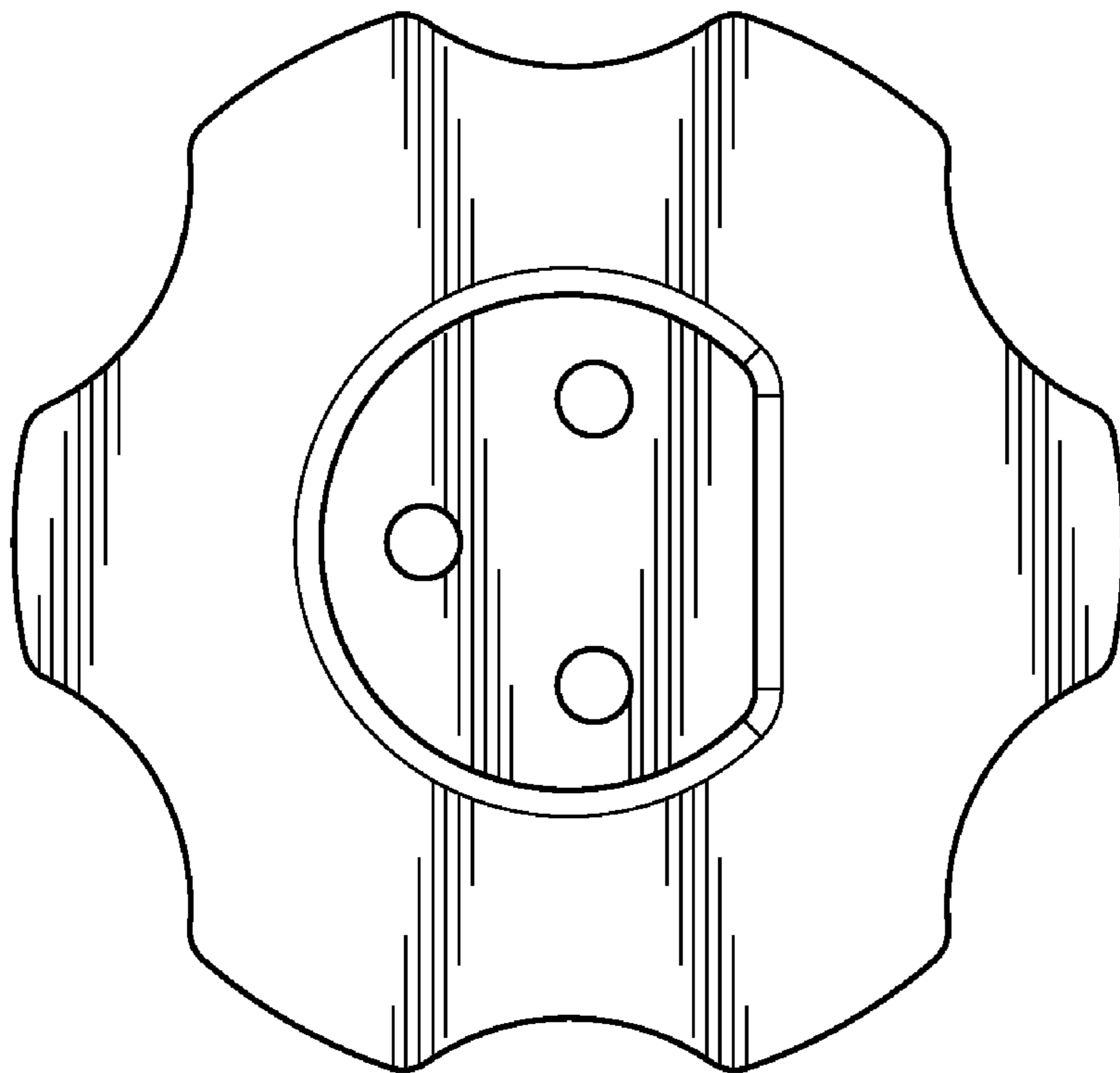


FIG. 7