



US00D576343S

(12) **United States Design Patent**
Reyhan et al.

(10) **Patent No.:** **US D576,343 S**
(45) **Date of Patent:** **** Sep. 2, 2008**

(54) **OUTDOOR LAMP**

(75) Inventors: **Frederick B. Reyhan**, Diamond Bar, CA (US); **Aijaz Taj**, La Verne, CA (US)

(73) Assignee: **Lights of America, Inc.**, Walnut, CA (US)

(**) Term: **14 Years**

(21) Appl. No.: **29/294,320**

(22) Filed: **Jan. 4, 2008**

(51) **LOC (8) Cl.** **26-03**

(52) **U.S. Cl.** **D26/92**

(58) **Field of Classification Search** D26/71,
D26/72, 85, 87-89, 92; 362/147, 431, 432,
362/371, 375, 340

See application file for complete search history.

(56) **References Cited**

U.S. PATENT DOCUMENTS

D49,593 S *	9/1916	Bayley	D26/88
D54,630 S *	3/1920	Jimmerson	D26/87
D271,427 S *	11/1983	de Vos et al.	D26/85
4,595,971 A *	6/1986	Dean	362/345
D302,047 S *	7/1989	Flannery et al.	D26/71

D329,714 S *	9/1992	McIngvale et al.	D26/71
D424,228 S *	5/2000	Grossman	D26/71
6,155,701 A *	12/2000	Leen	362/432
6,447,147 B1 *	9/2002	Kramer et al.	362/297
D538,461 S *	3/2007	Broughton et al.	D26/87

* cited by examiner

Primary Examiner—Clare E Heflin

(74) *Attorney, Agent, or Firm*—Kuta IP Law LLC; Christine M. Kuta

(57) **CLAIM**

The ornamental design for an outdoor lamp, as shown.

DESCRIPTION

FIG. 1 is a perspective view of an outdoor lamp showing our new design;

FIG. 2 is a front view thereof;

FIG. 3 is a left side view thereof;

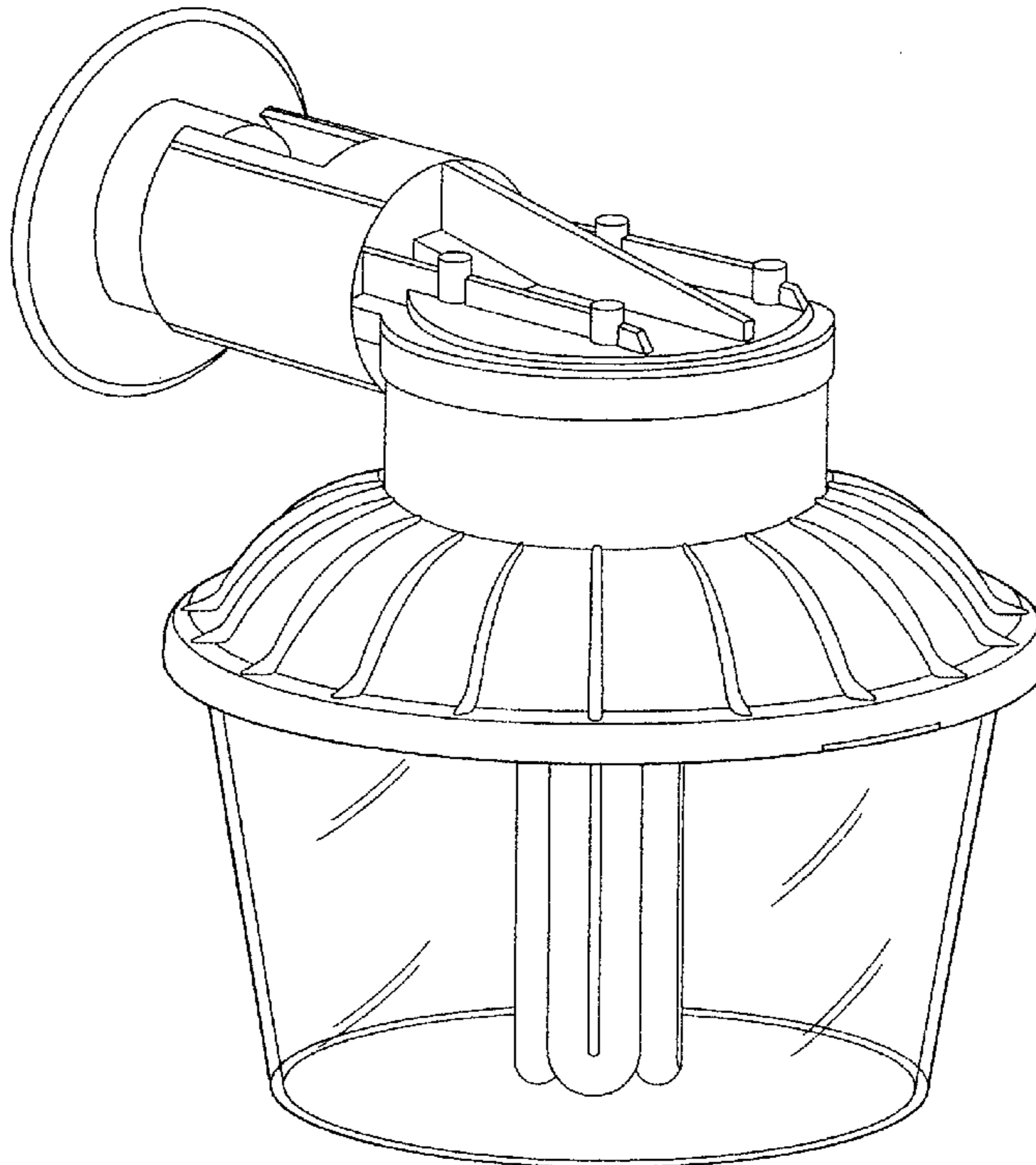
FIG. 4 is a right side view thereof;

FIG. 5 is a top view thereof;

FIG. 6 is a bottom view thereof; and,

FIG. 7 is a back view thereof.

1 Claim, 7 Drawing Sheets



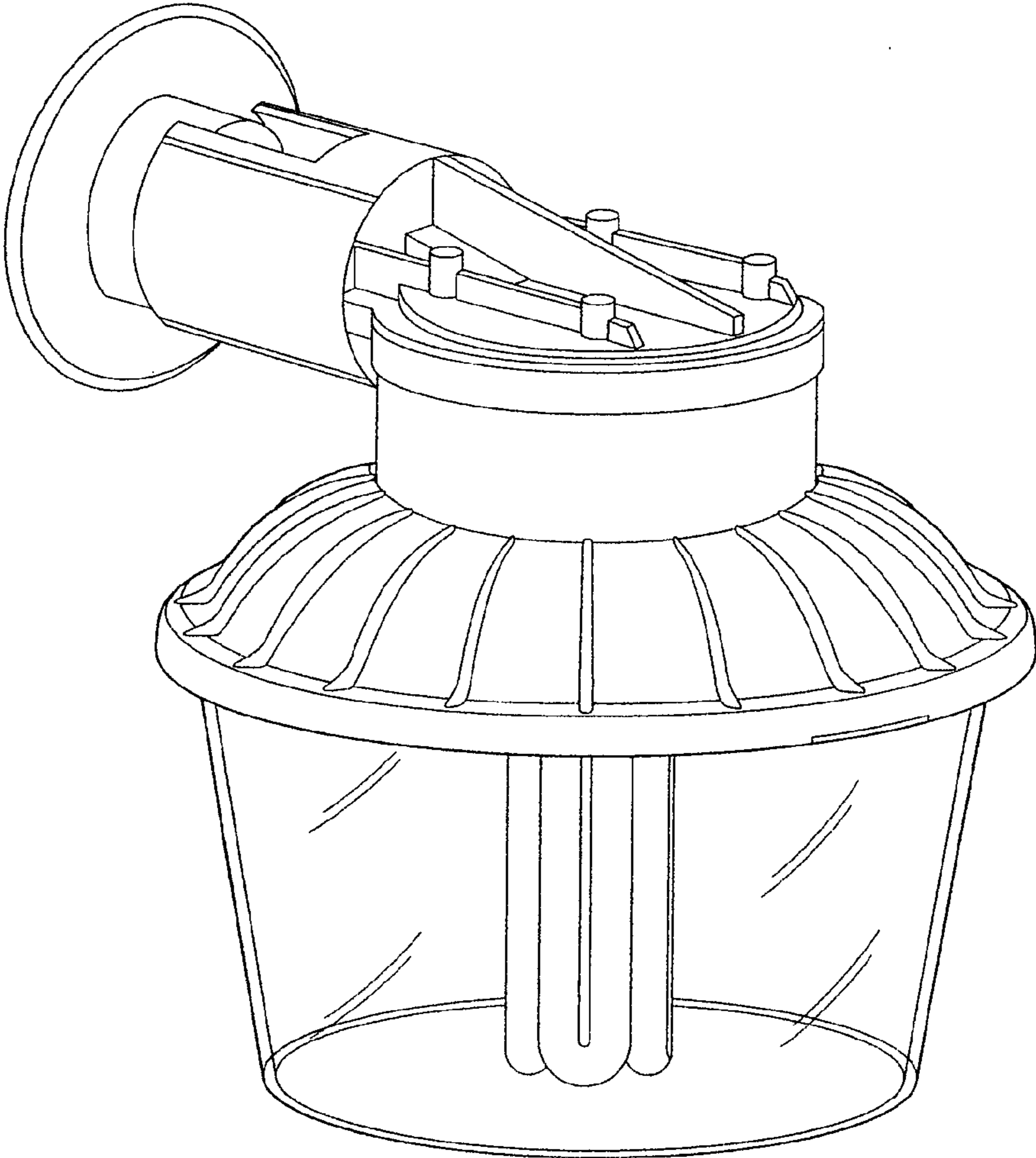


Fig. 1

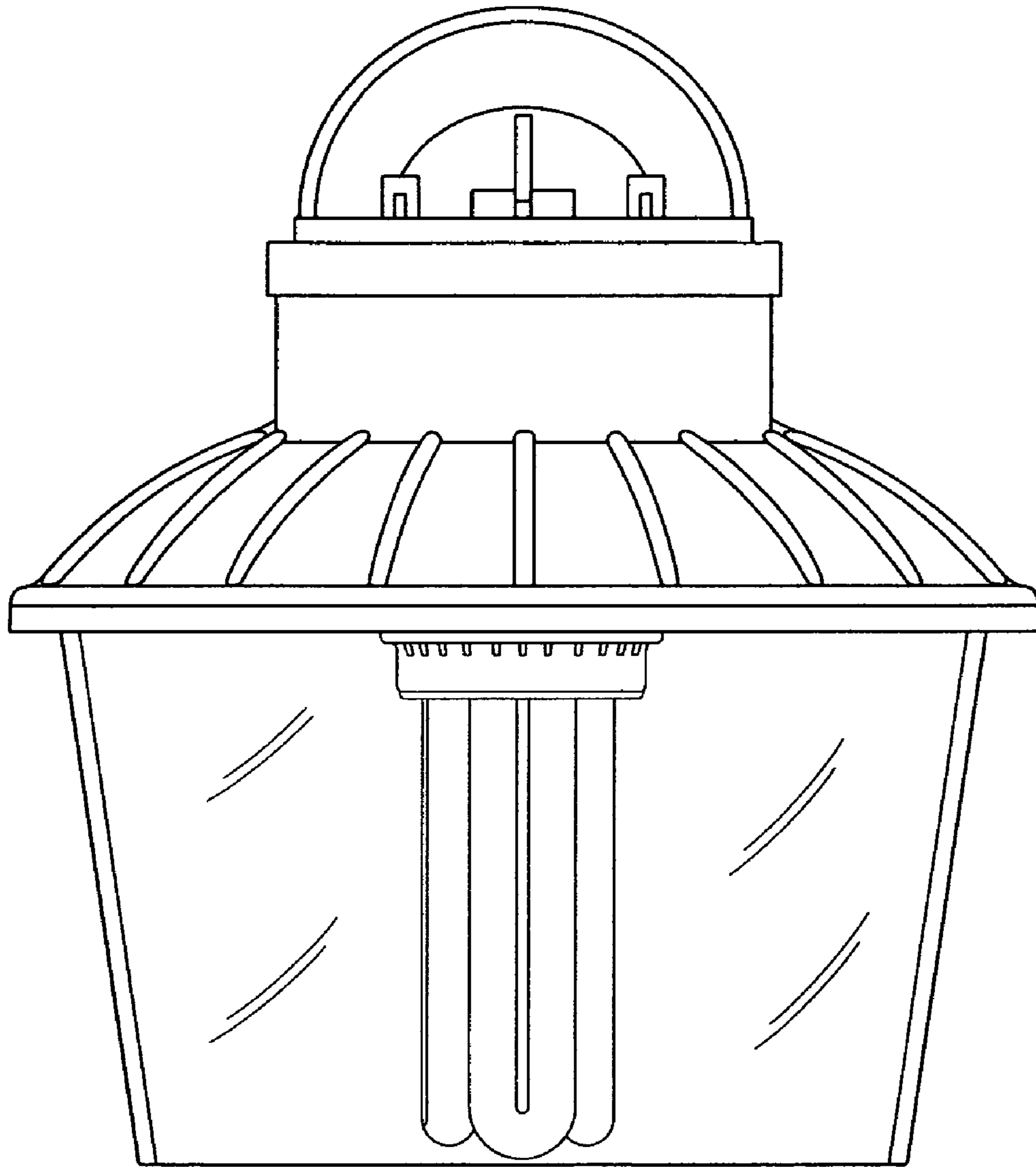


Fig. 2

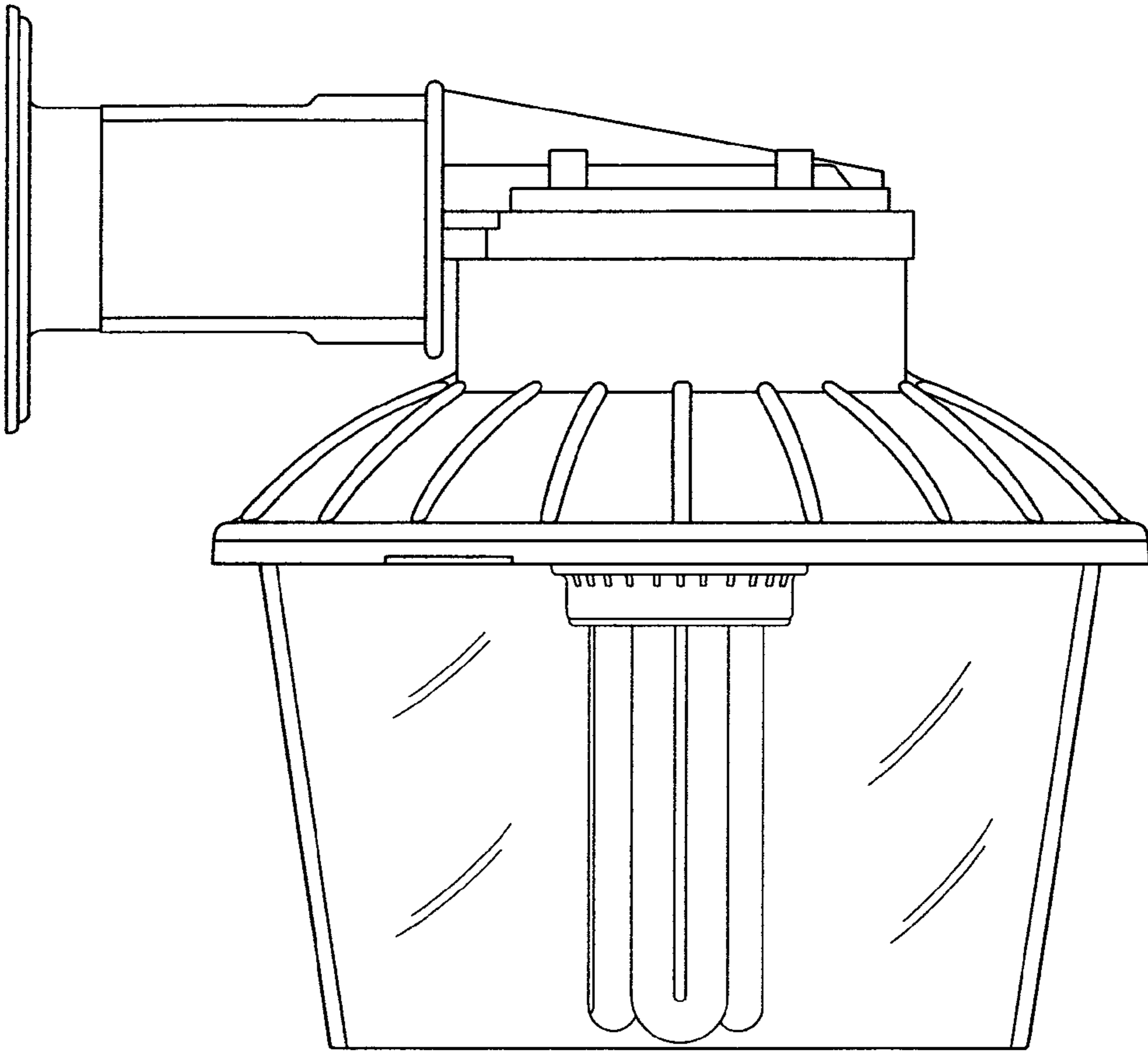


Fig. 3

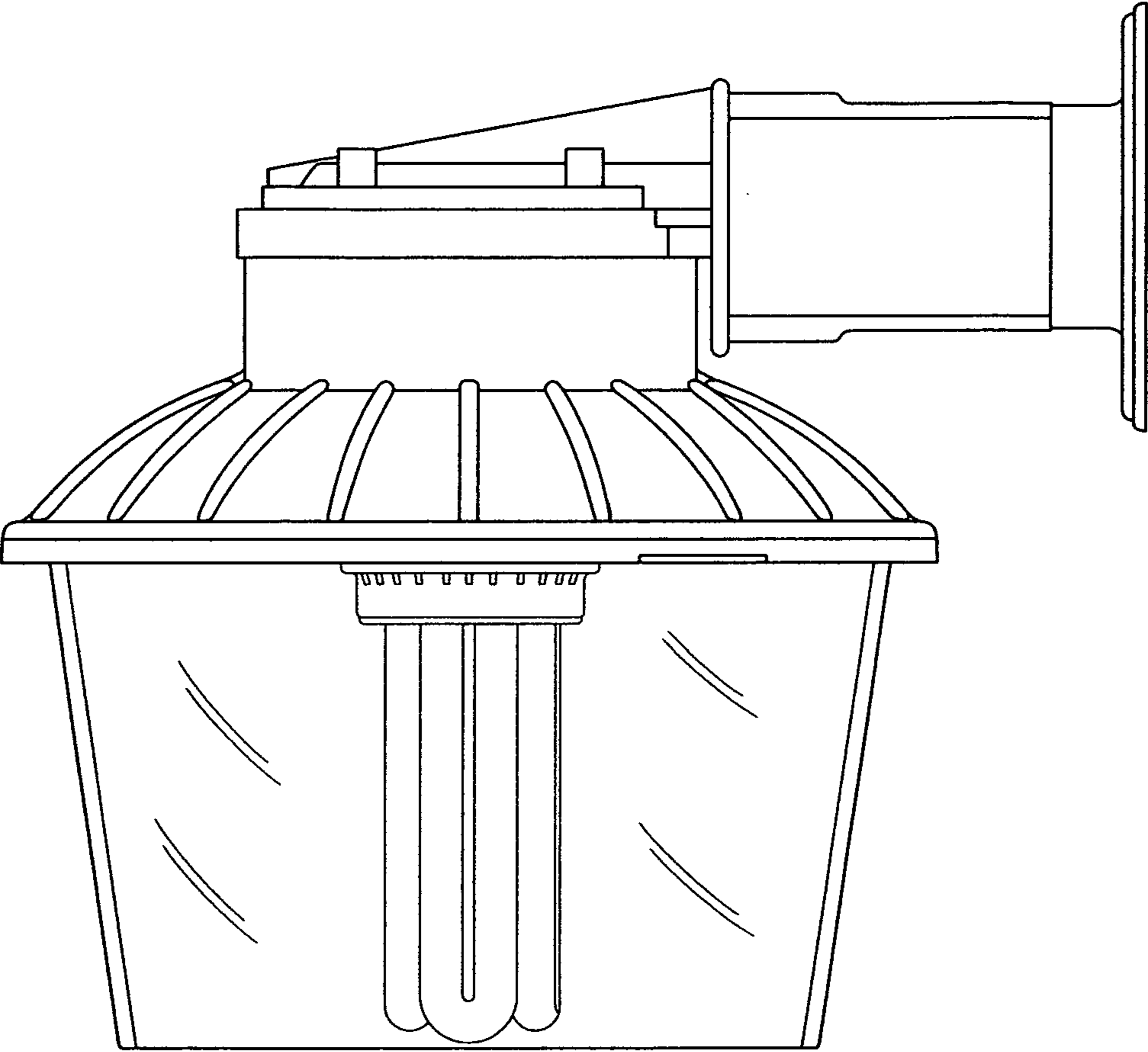


Fig. 4

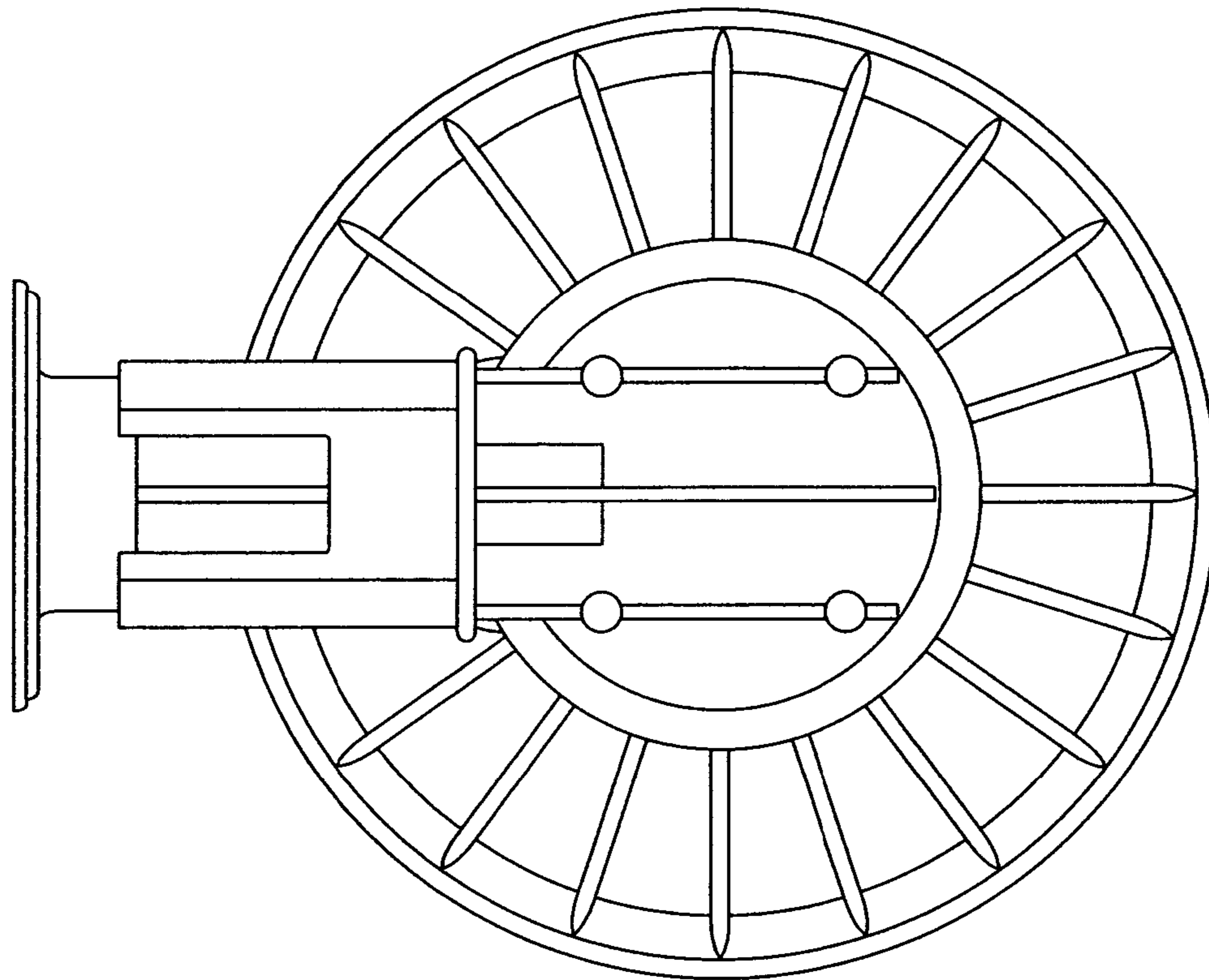


Fig. 5

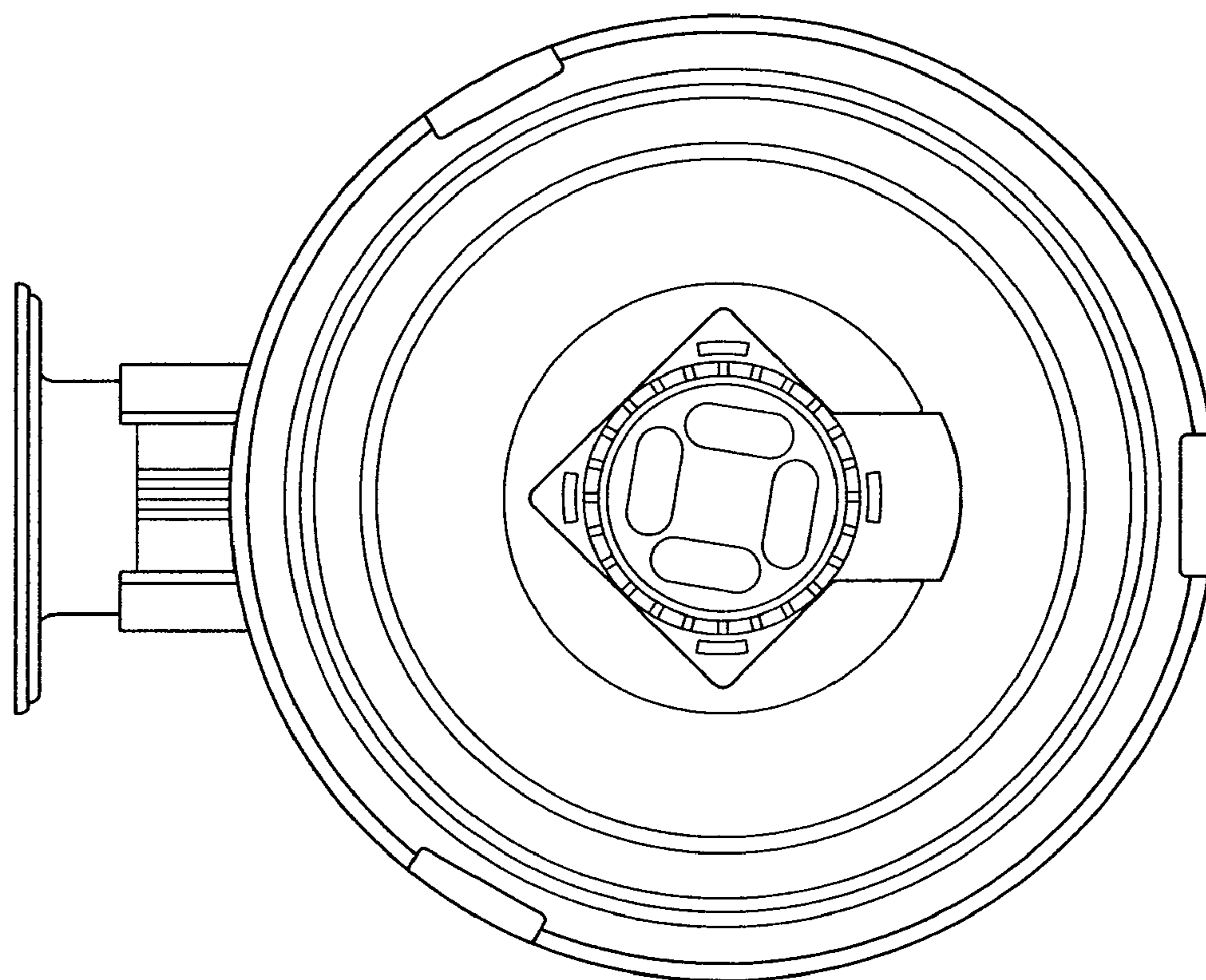


Fig. 6

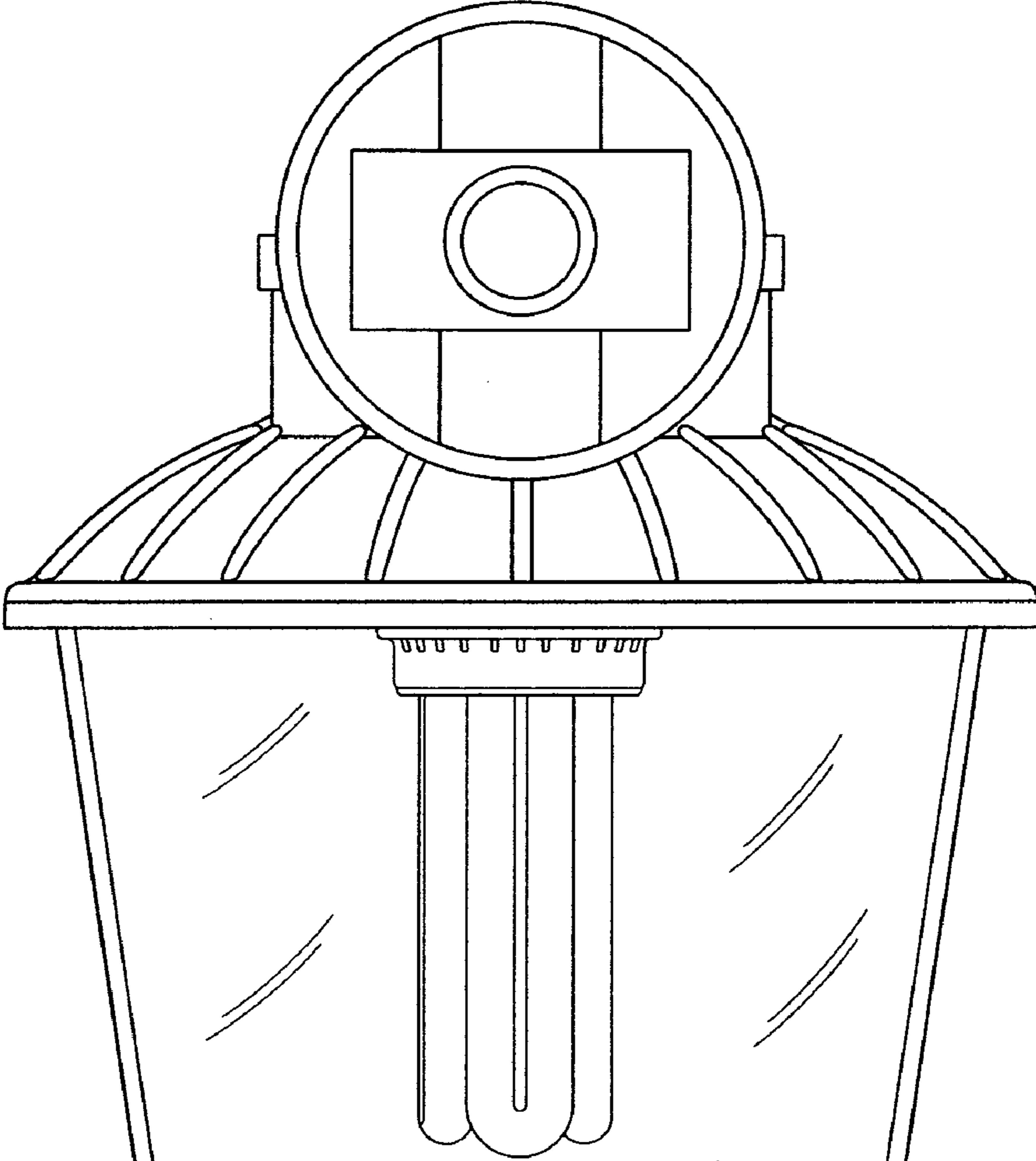


Fig. 7