



US00D576342S

(12) **United States Design Patent**  
**Sole**

(10) **Patent No.:** **US D576,342 S**  
(45) **Date of Patent:** **\*\* Sep. 2, 2008**

(54) **WALL LAMP**

(75) Inventor: **Eric José Sole**, Bagneres de Bigorre (FR)

(73) Assignee: **Artemide S.p.A.**, Milan (IT)

(\*\*) Term: **14 Years**

(21) Appl. No.: **29/256,857**

(22) Filed: **Mar. 24, 2006**

(51) **LOC (8) Cl.** ..... **26-03**

(52) **U.S. Cl.** ..... **D26/92**

(58) **Field of Classification Search** ..... D26/72,  
D26/85-89; 362/147, 431, 432, 362  
See application file for complete search history.

(56) **References Cited**

**U.S. PATENT DOCUMENTS**

- D87,355 S \* 7/1932 Pospisil ..... D26/72
- D200,549 S \* 3/1965 Nunn, Jr. .... D10/114
- D213,530 S \* 3/1969 Kahn ..... D10/114
- D316,306 S \* 4/1991 Shemitz ..... D26/85
- D334,759 S \* 4/1993 Meyer et al. .... D16/135
- D465,868 S \* 11/2002 Gaskins et al. .... D26/72

D505,219 S \* 5/2005 Jacquelin ..... D26/51  
\* cited by examiner

*Primary Examiner*—Clare E Heflin  
(74) *Attorney, Agent, or Firm*—Ladas and Parry LLP

(57) **CLAIM**

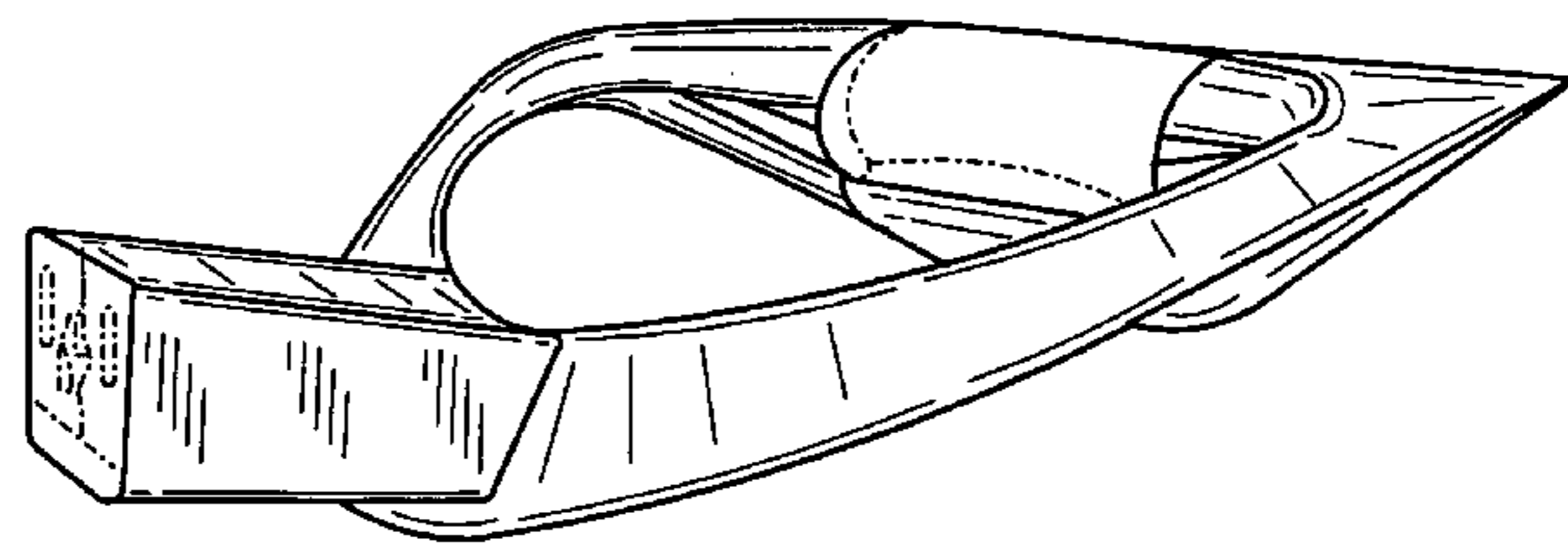
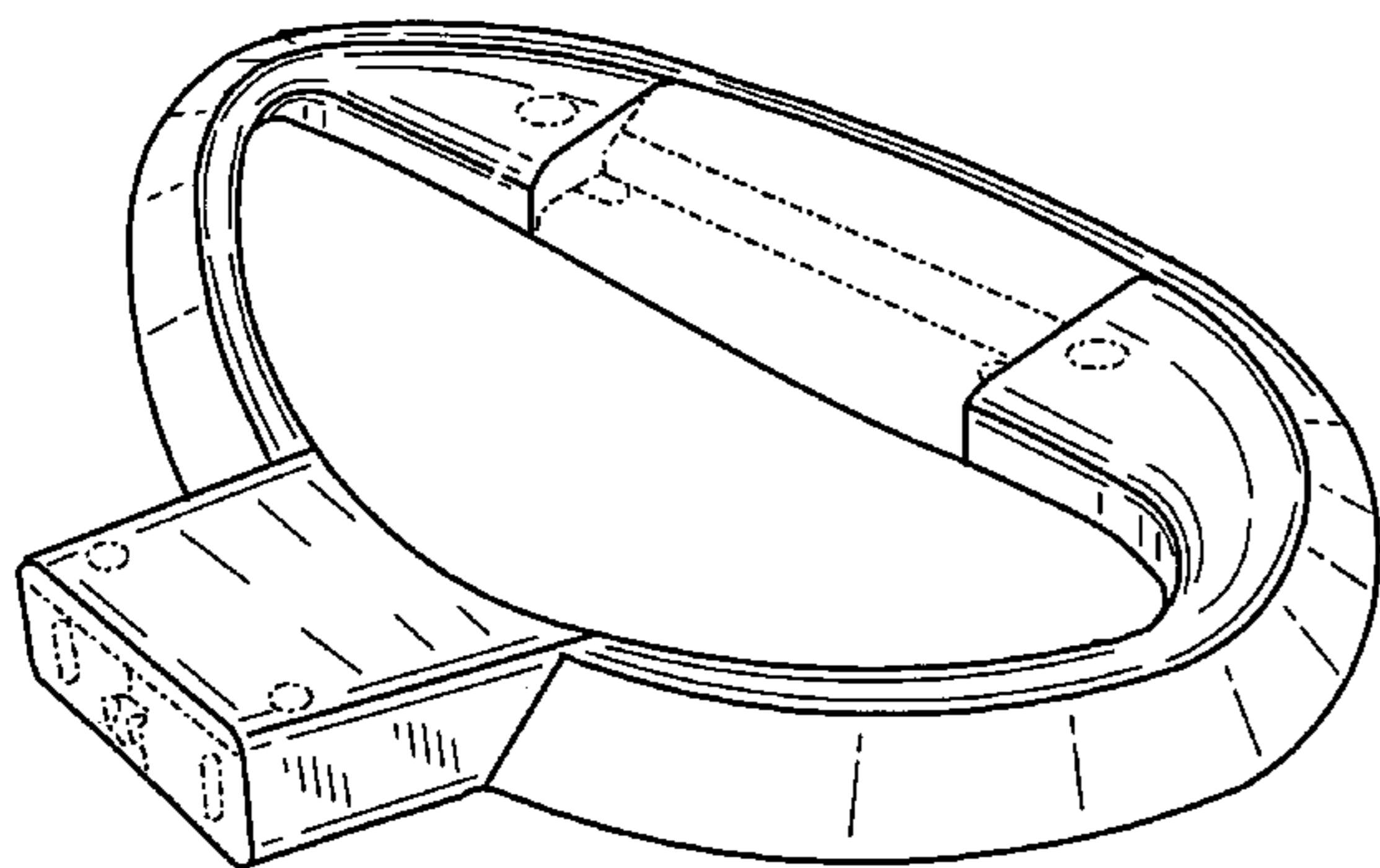
I claim the ornamental design for a wall lamp, as shown and described.

**DESCRIPTION**

FIG. 1 is a rear elevational view of a wall lamp showing my new design;  
FIG. 2 is a side elevational view thereof, the opposite side view being a mirror image and, therefore, not shown;  
FIG. 3 is a front elevational view thereof;  
FIG. 4 is bottom plan view thereof;  
FIG. 5 is a top plan view thereof;  
FIG. 6 is a top/side pictorial perspective view thereof; and,  
FIG. 7 is a side pictorial perspective view thereof.

The broken lines shown on the drawings are for illustrative purposes only and form no part of the claimed design.

**1 Claim, 3 Drawing Sheets**



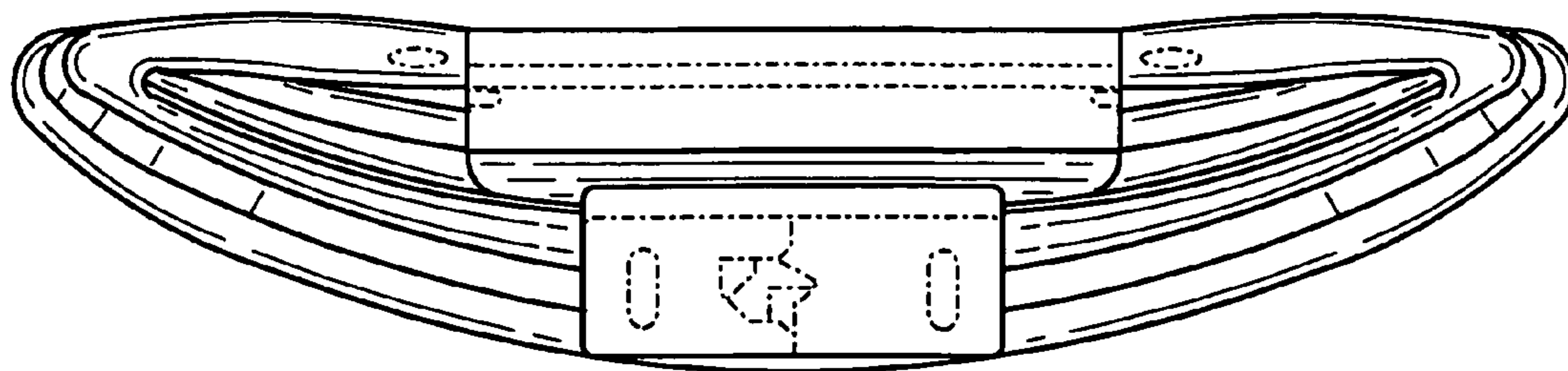


FIG. 1

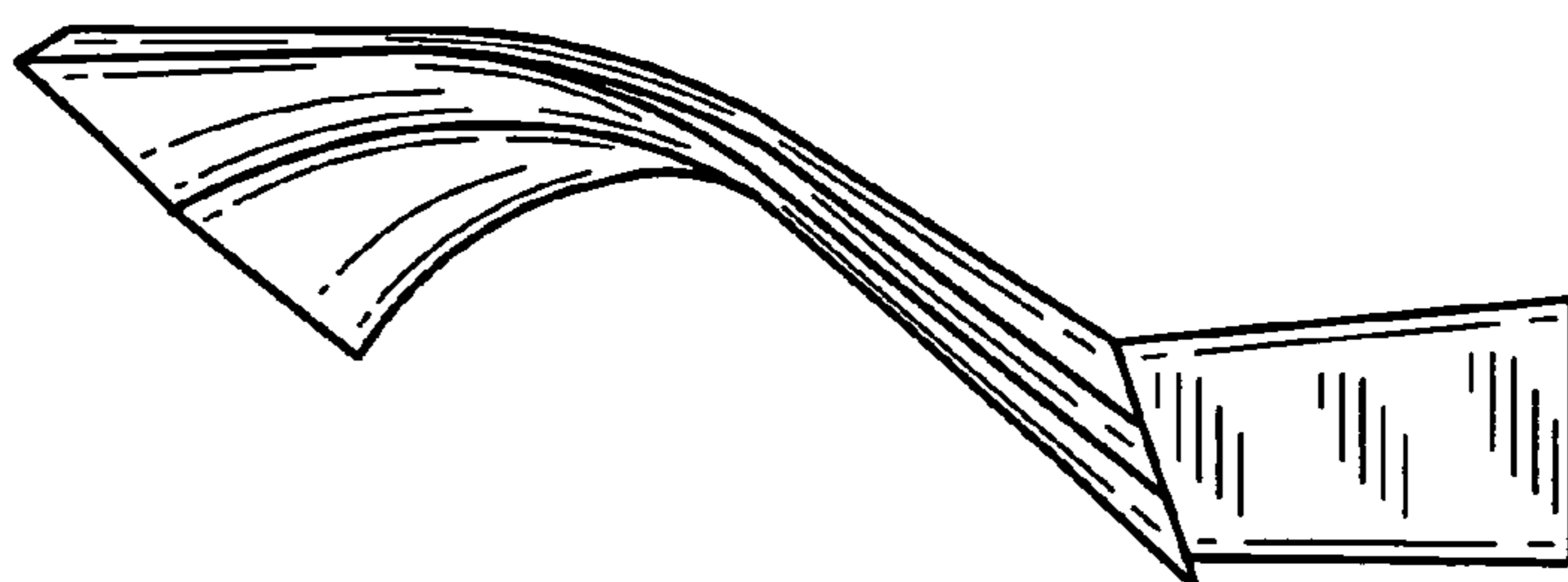


FIG. 2



FIG. 3

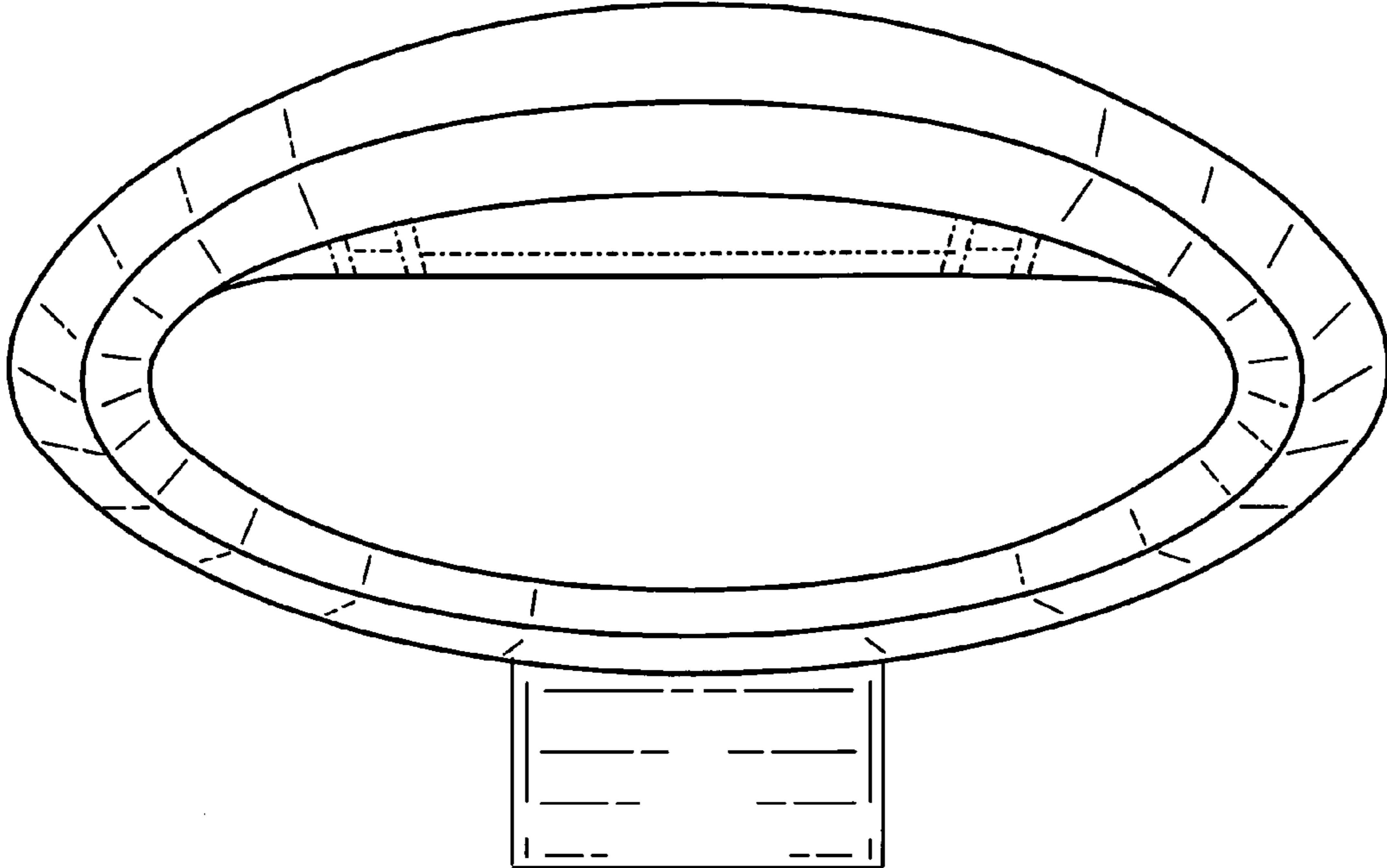


FIG. 4

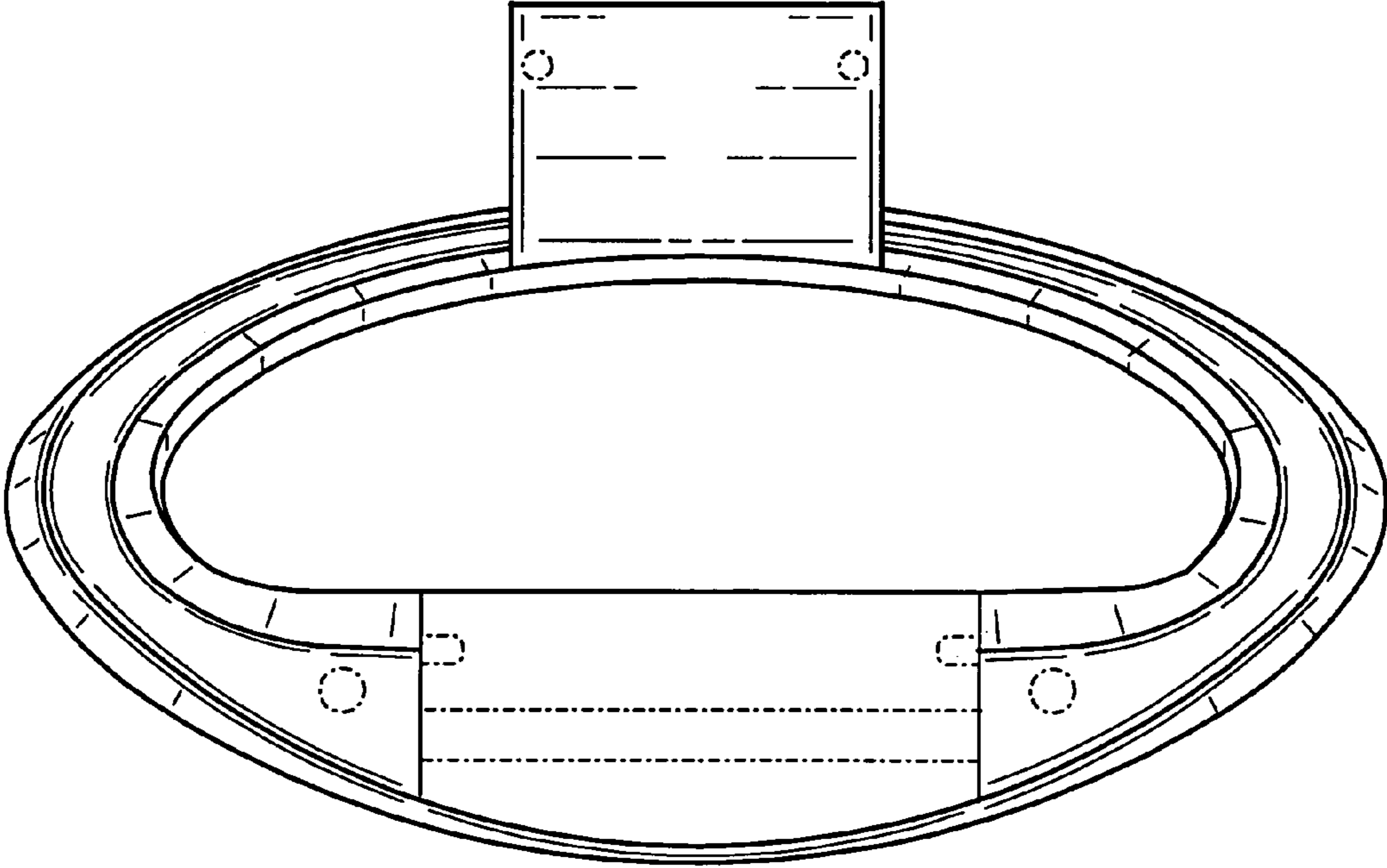


FIG. 5

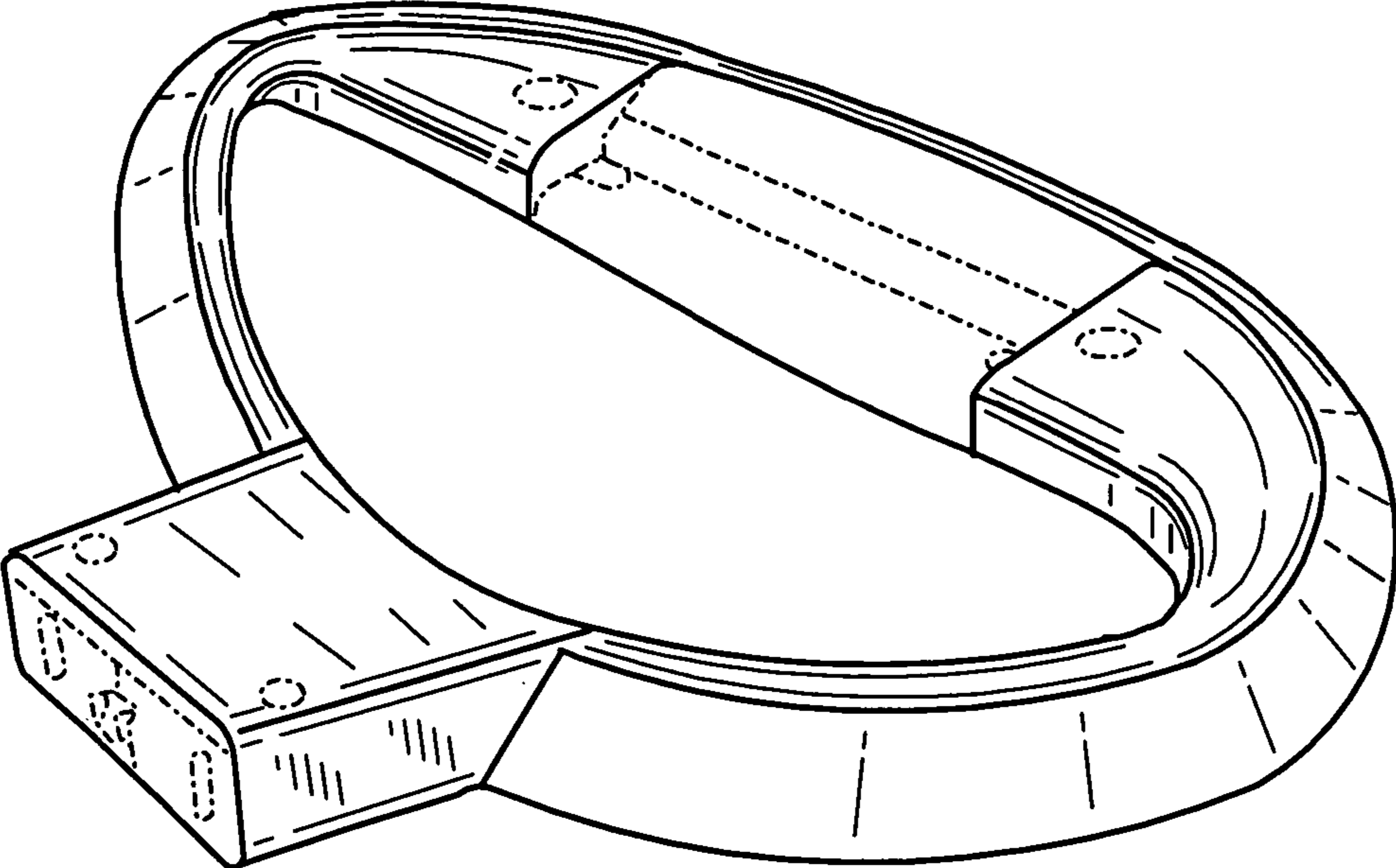


FIG. 6

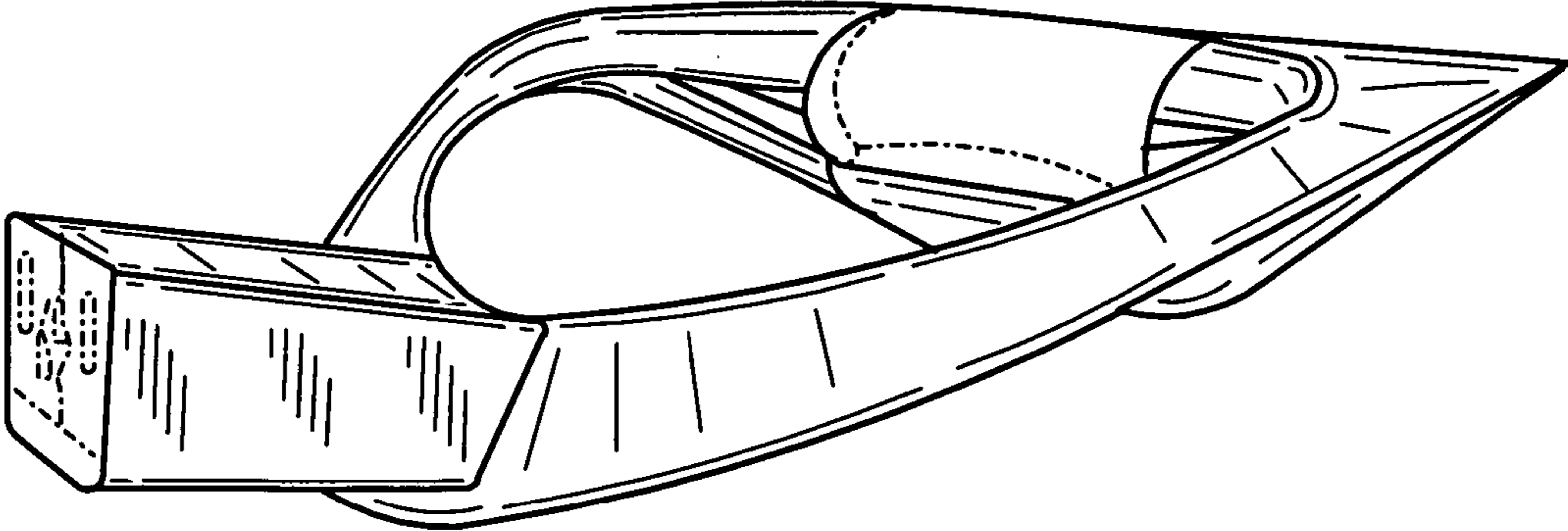


FIG. 7