



US00D576338S

(12) **United States Design Patent**
Levine

(10) **Patent No.:** **US D576,338 S**
(45) **Date of Patent:** **** Sep. 2, 2008**

(54) **LIGHTING DEVICE**

(76) Inventor: **Jonathan E. Levine**, 419 Park Ave.
South, Suite 505, New York, NY (US)
10016

(**) Term: **14 Years**

(21) Appl. No.: **29/298,708**

(22) Filed: **Dec. 12, 2007**

D535,740 S *	1/2007	Brown et al.	D26/24
D544,117 S	6/2007	Coushaine		
D544,618 S	6/2007	Coushaine		
D544,988 S	6/2007	Benensohn		
D551,795 S	9/2007	Compton et al.		
D561,925 S	2/2008	Levine		
D563,013 S	2/2008	Levine		
D563,014 S	2/2008	Levine		
D563,582 S	3/2008	Levine		
D565,232 S *	3/2008	Butler	D26/85
D567,987 S *	4/2008	Khubani	D26/85
2006/0250789 A1	11/2006	Coushaine		
2007/0070645 A1	3/2007	Coushaine et al.		

Related U.S. Application Data

(63) Continuation-in-part of application No. 11/510,083,
filed on Aug. 25, 2006.

(51) **LOC (8) Cl.** **26-03**

(52) **U.S. Cl.** **D26/85**

(58) **Field of Classification Search** D26/24,
D26/72, 85, 63, 118, 138; 362/101, 157,
362/184, 186, 190, 191, 427

See application file for complete search history.

(56) **References Cited**

U.S. PATENT DOCUMENTS

D222,500 S	10/1971	Gugelot		
D240,320 S *	6/1976	Anderson, Jr.	D26/85
4,515,570 A *	5/1985	Beltran	362/191
D346,459 S *	4/1994	King	D26/72
D371,857 S	7/1996	Gismondi		
5,769,529 A	6/1998	Weinstock et al.		
D412,040 S	7/1999	Hudak et al.		
6,146,001 A *	11/2000	Cwiakala	362/186
D446,321 S *	8/2001	Lin	D26/24
6,588,920 B2	7/2003	Agro		
6,619,813 B1	9/2003	Schnell		
6,641,283 B1	11/2003	Bohler		
D484,270 S	12/2003	Yiu		
D485,390 S	1/2004	Stancik et al.		
6,877,875 B2	4/2005	Yu et al.		
D509,016 S	8/2005	Benghozi		
D509,617 S	9/2005	Benghozi		
6,979,107 B1	12/2005	Benensohn		

OTHER PUBLICATIONS

Office Action Dated May 19, 2008 for U.S. Appl. No. 11/510,083 (11 pages).

“Notice of Allowance and Fee(s) Due” for U.S. Appl. No. 29/267,228, 8 pages.

Form PTOL-85B and Replacement Drawings in response to Notice of Allowance for U.S. Appl. No. 29/267,228, 4 pages.

* cited by examiner

Primary Examiner—Clare E Heflin

(74) *Attorney, Agent, or Firm*—Theodore W. Baker

(57) **CLAIM**

I claim the ornamental design for a lighting device, as shown and described.

DESCRIPTION

FIG. 1 is a perspective view of a lighting device, as viewed from the top and one side thereof.

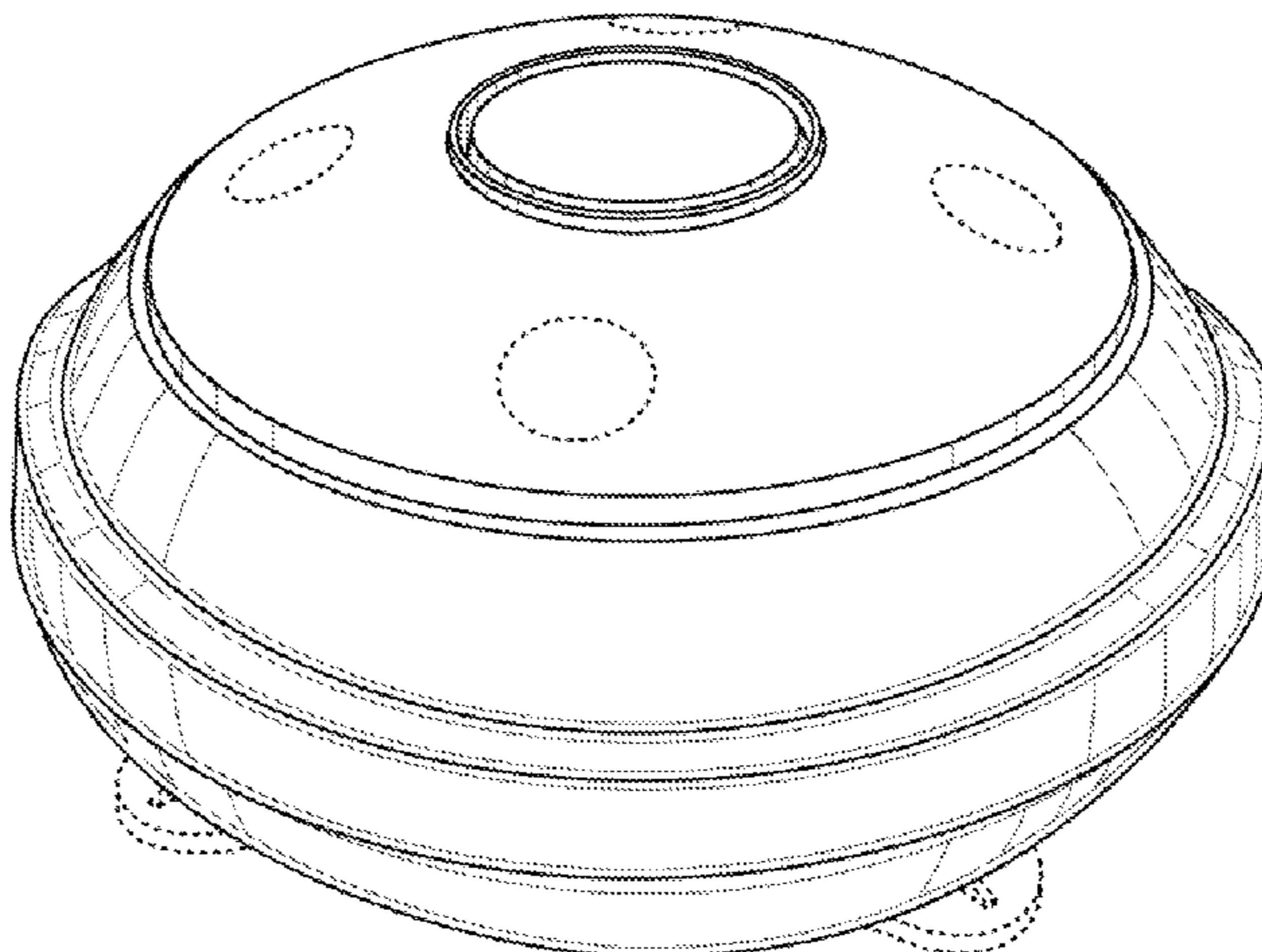
FIG. 2 is a side elevation view of the lighting device of FIG. 1, the other side being a mirror image thereof.

FIG. 3 is a top plan view of the lighting device of FIG. 1; and,

FIG. 4 is a bottom plan view of the lighting device of FIG. 1.

The details shown in broken lines are for illustrative purposes only and form no part of the claimed design.

1 Claim, 3 Drawing Sheets



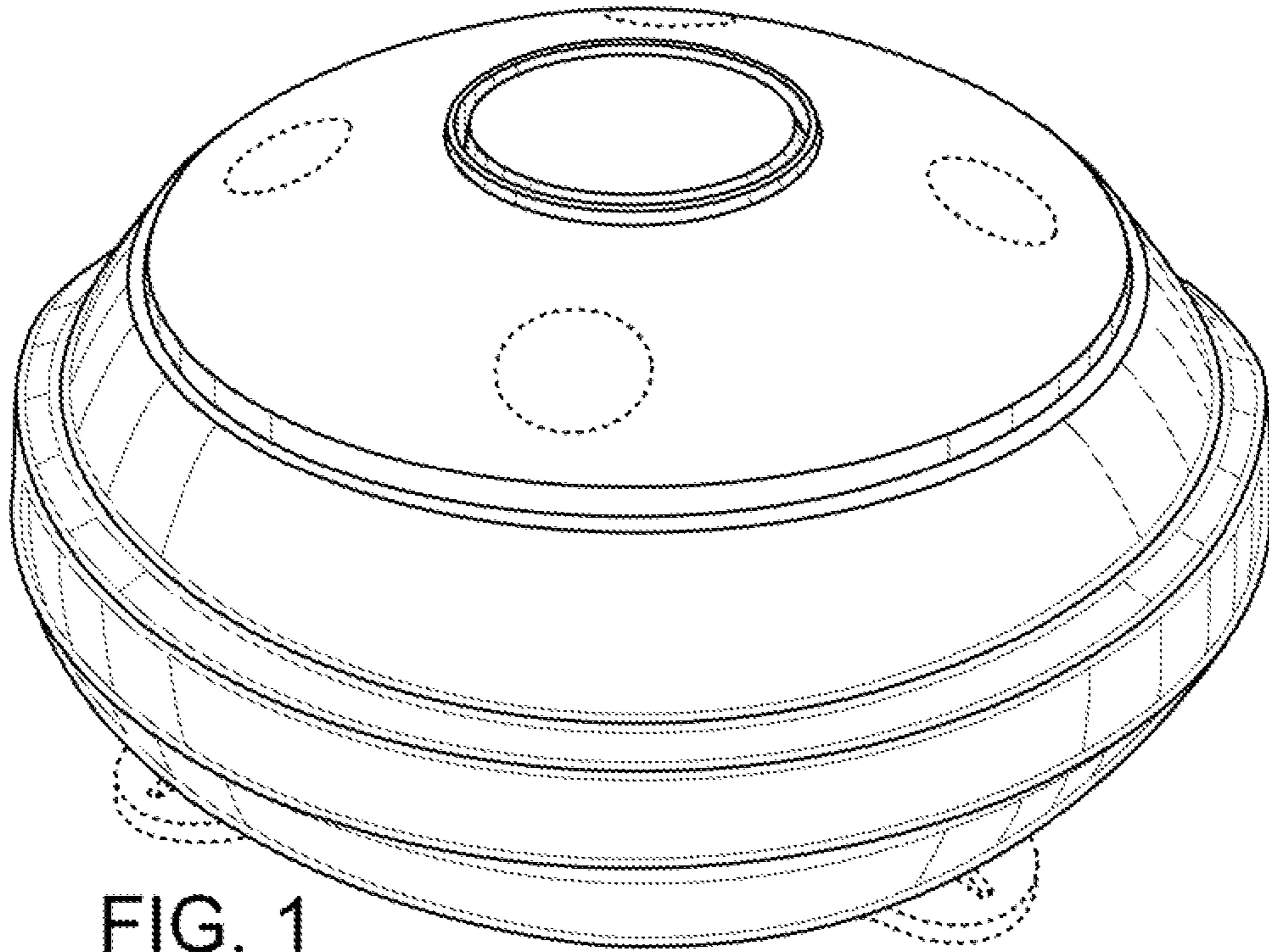


FIG. 1

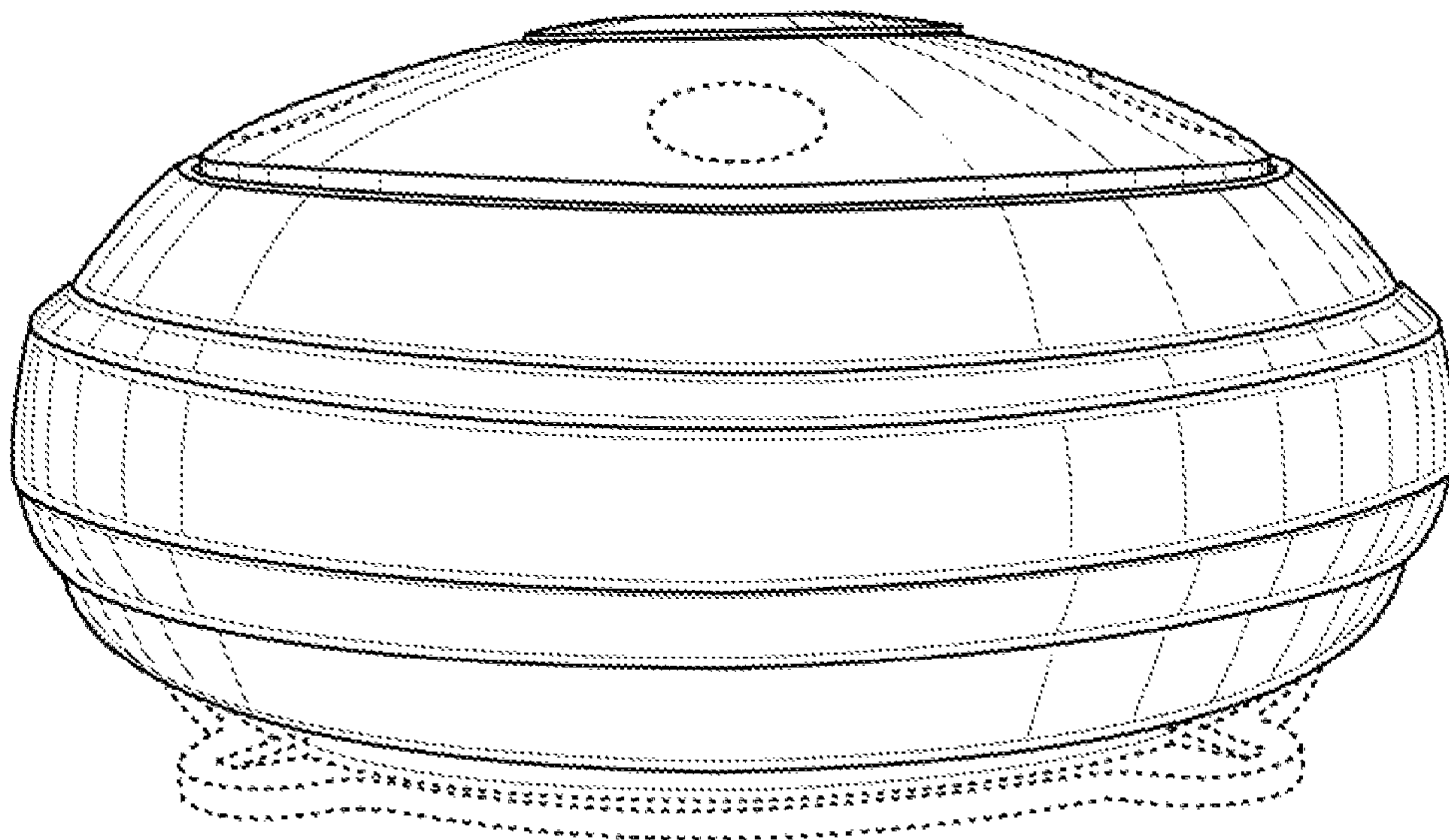


FIG. 2

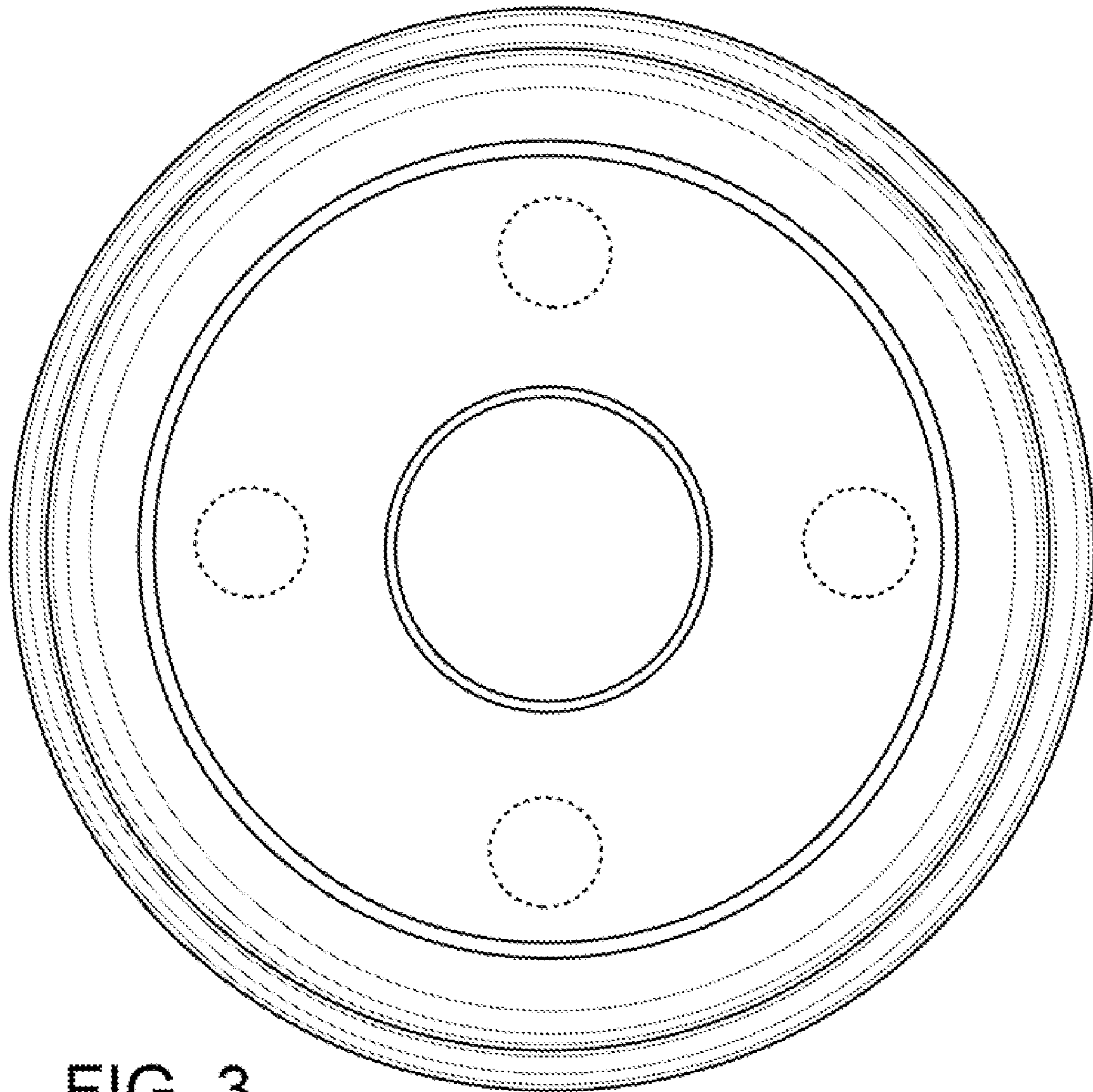


FIG. 3

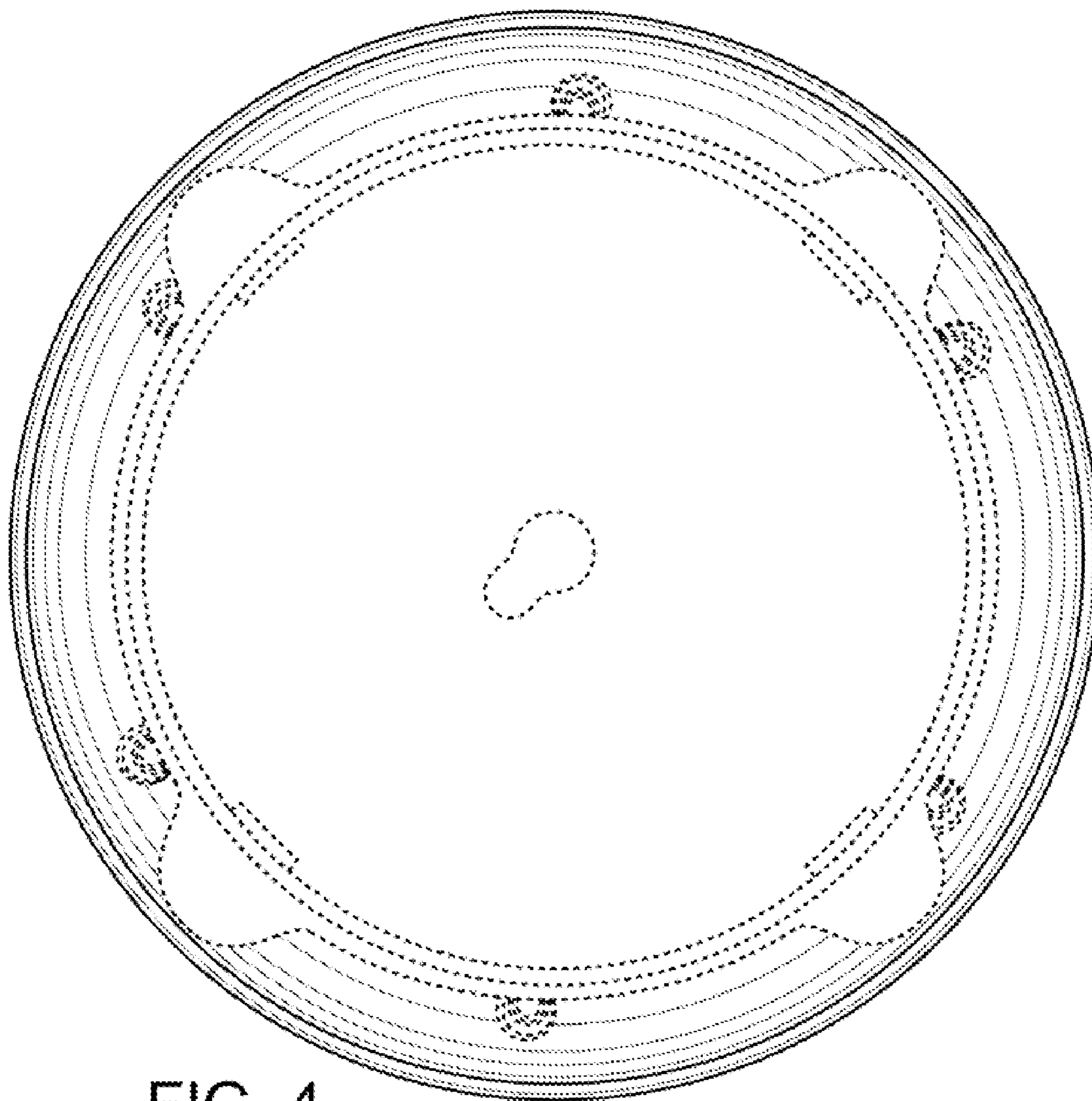


FIG. 4