



US00D576335S

(12) **United States Design Patent**
Chandler

(10) **Patent No.:** **US D576,335 S**
(45) **Date of Patent:** **** Sep. 2, 2008**

- (54) **LAMP**
- (75) Inventor: **George Chandler**, Hubbardton, VT (US)
- (73) Assignee: **Hubbardton Forge, LLC**, Castleton, VT (US)
- (**) Term: **14 Years**
- (21) Appl. No.: **29/298,125**
- (22) Filed: **Nov. 29, 2007**
- (51) **LOC (8) Cl.** **26-03**
- (52) **U.S. Cl.** **D26/81; D26/143**
- (58) **Field of Classification Search** D26/72,
D26/75, 76, 80-92, 142-144; 362/147, 404-408
See application file for complete search history.

(56) **References Cited**

U.S. PATENT DOCUMENTS

679,316 A *	7/1901	Hubbell	362/431
D409,784 S *	5/1999	Milicia	D26/81
D425,235 S *	5/2000	Perenzin	D26/86
D459,015 S *	6/2002	Dolan	D26/86
D483,140 S *	12/2003	Lee	D26/80
D563,026 S *	2/2008	Nicholas	D26/81

OTHER PUBLICATIONS

Lamp #61222-37 and Lamp #00846-37 shown on p. 130 of the World Imports Catalog #26. (c)2004.*

Lamp #02518-37 shown on p. 42 of the World Imports Catalog #26. (c)2004.*
Lamp #F1739/3AC shown on p. 121 of the Murray-Feiss 2004 edition of "The Big Book" catalog.*
Lamp #F1765/2BK shown on p. 88 of the Murray-Feiss 2004 edition of "The Big Book" catalog.*

* cited by examiner

Primary Examiner—Clare E Heflin

(74) *Attorney, Agent, or Firm*—Bourque and Associates

(57) **CLAIM**

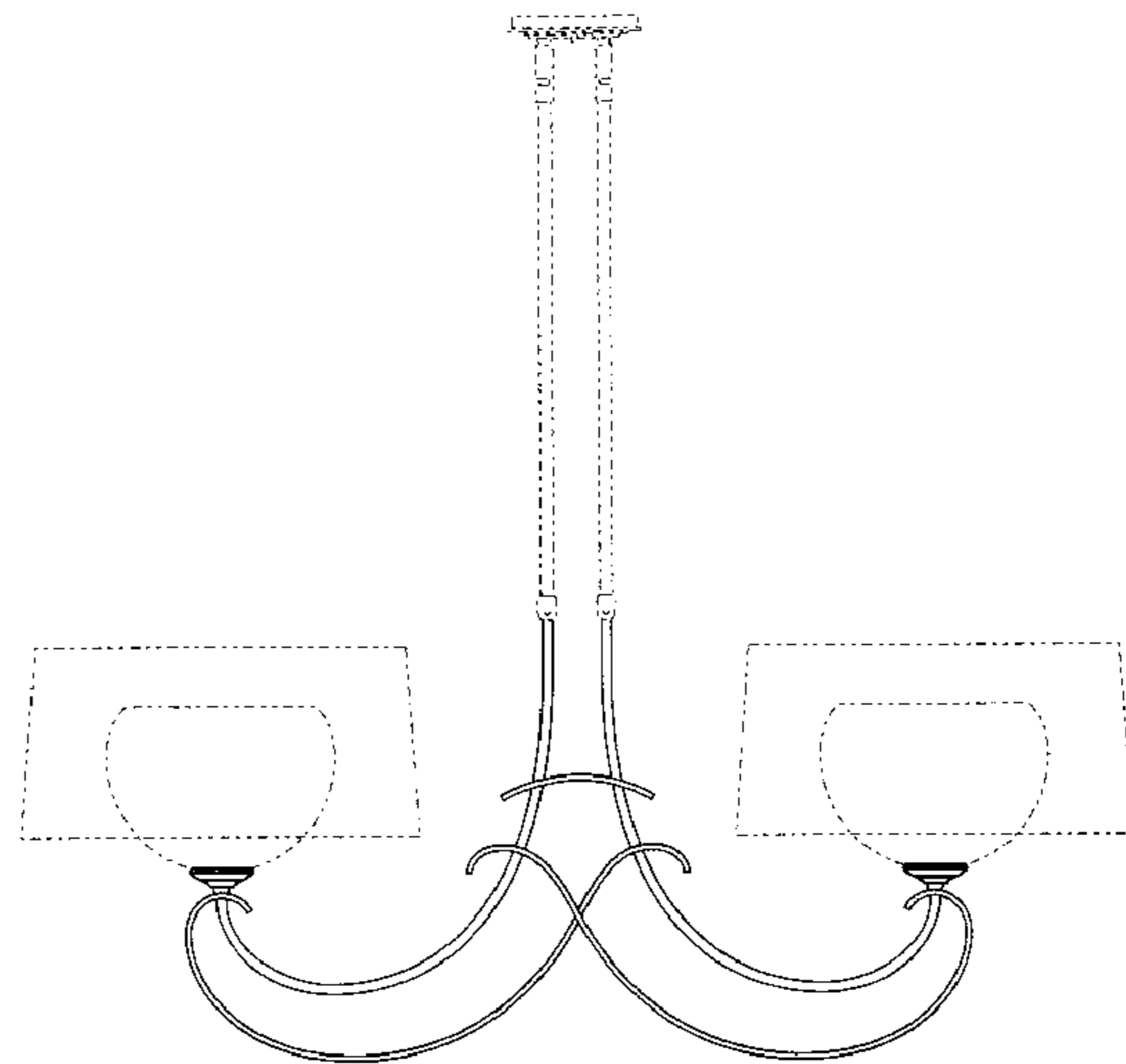
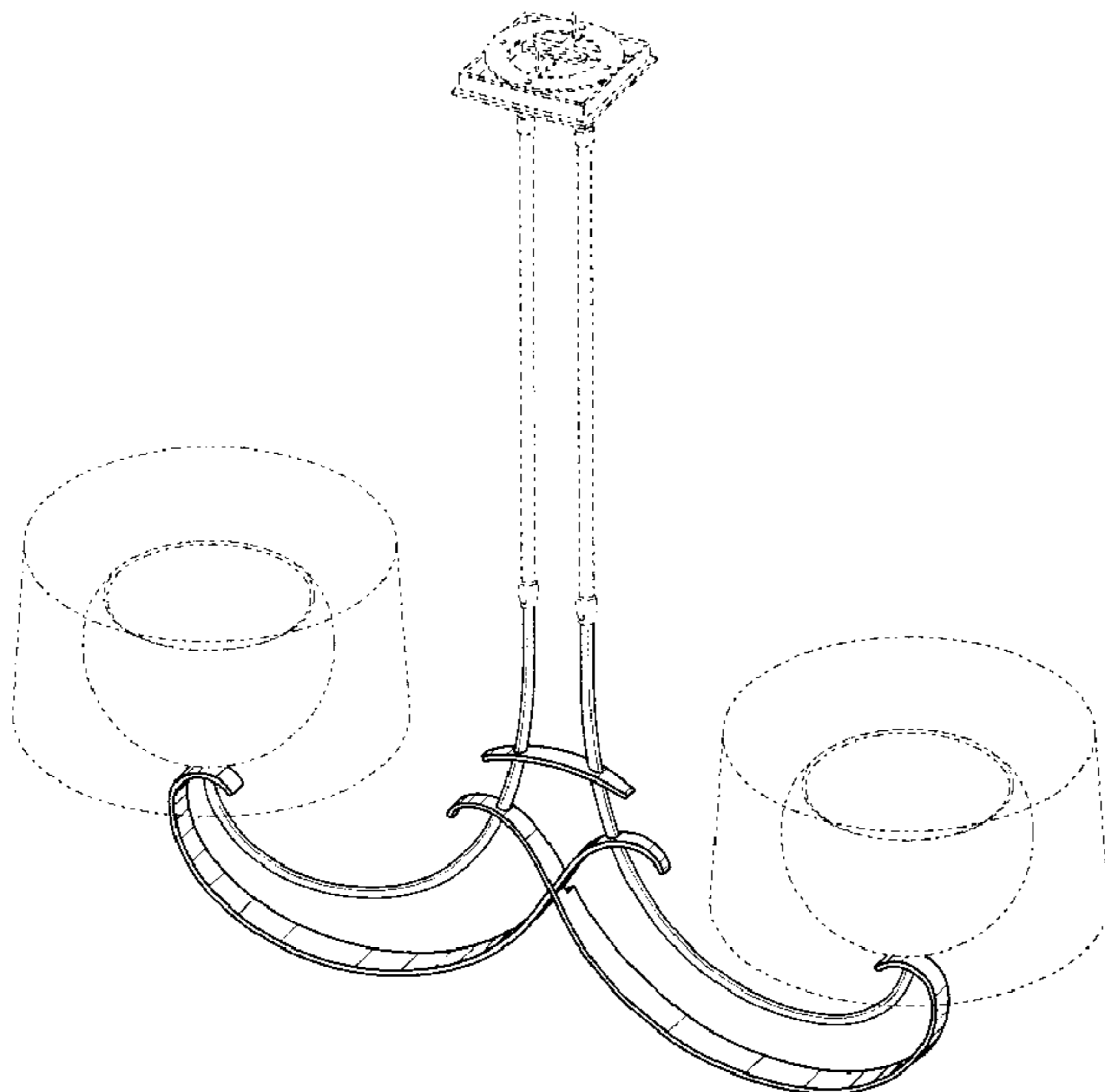
The ornamental design for a lamp, as shown and described.

DESCRIPTION

FIG. 1 is a perspective view of the lamp according to the present invention;
FIG. 2 is a front elevation view thereof;
FIG. 3 is a rear elevation view thereof;
FIG. 4 is a left side elevation view thereof;
FIG. 5 is a right side elevation view thereof;
FIG. 6 is a bottom plan view thereof; and,
FIG. 7 is a top plan view thereof.

The broken lines shown are for illustrative purposes only and form no part of the claimed design.

1 Claim, 7 Drawing Sheets



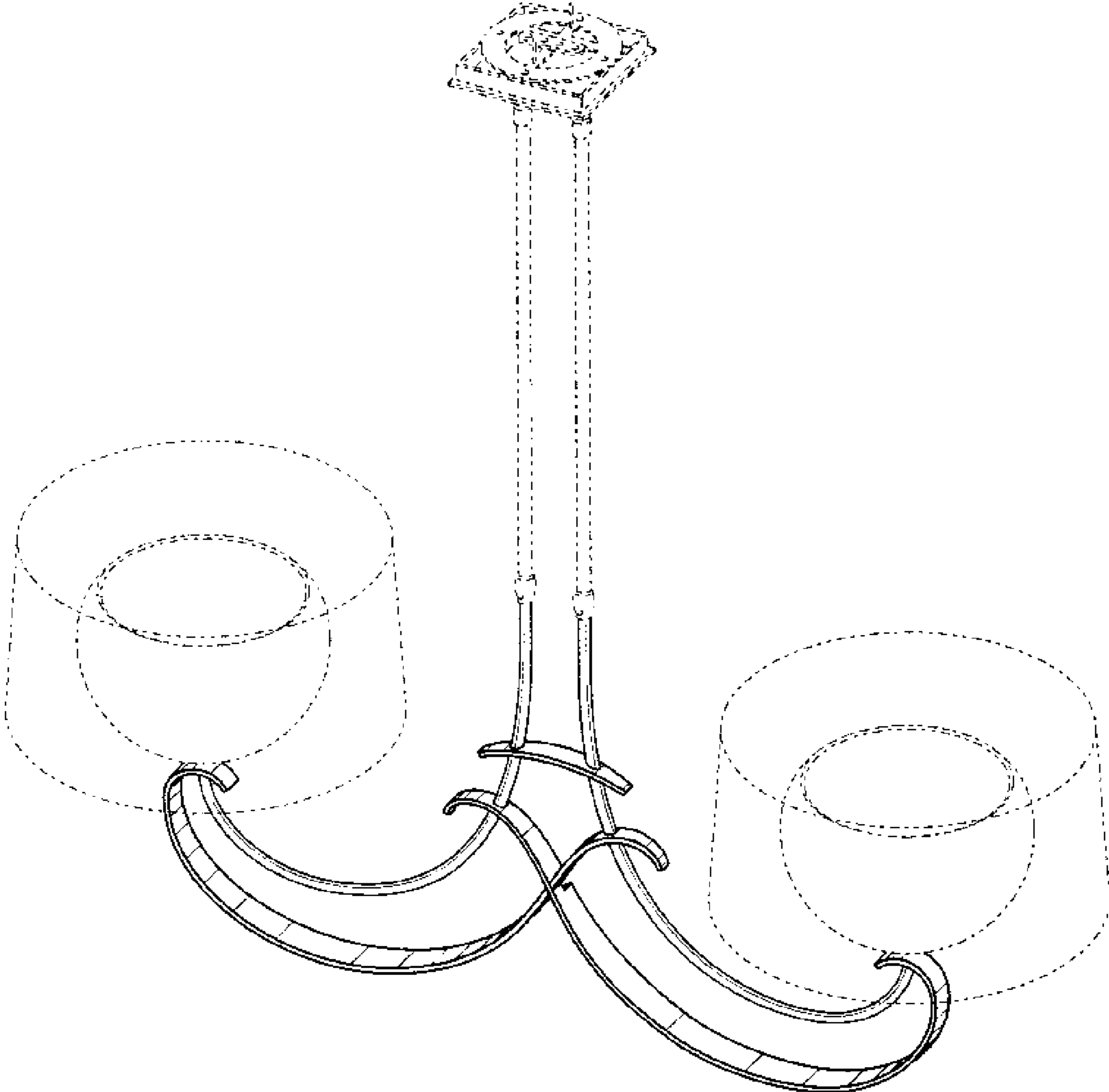


FIG. 1

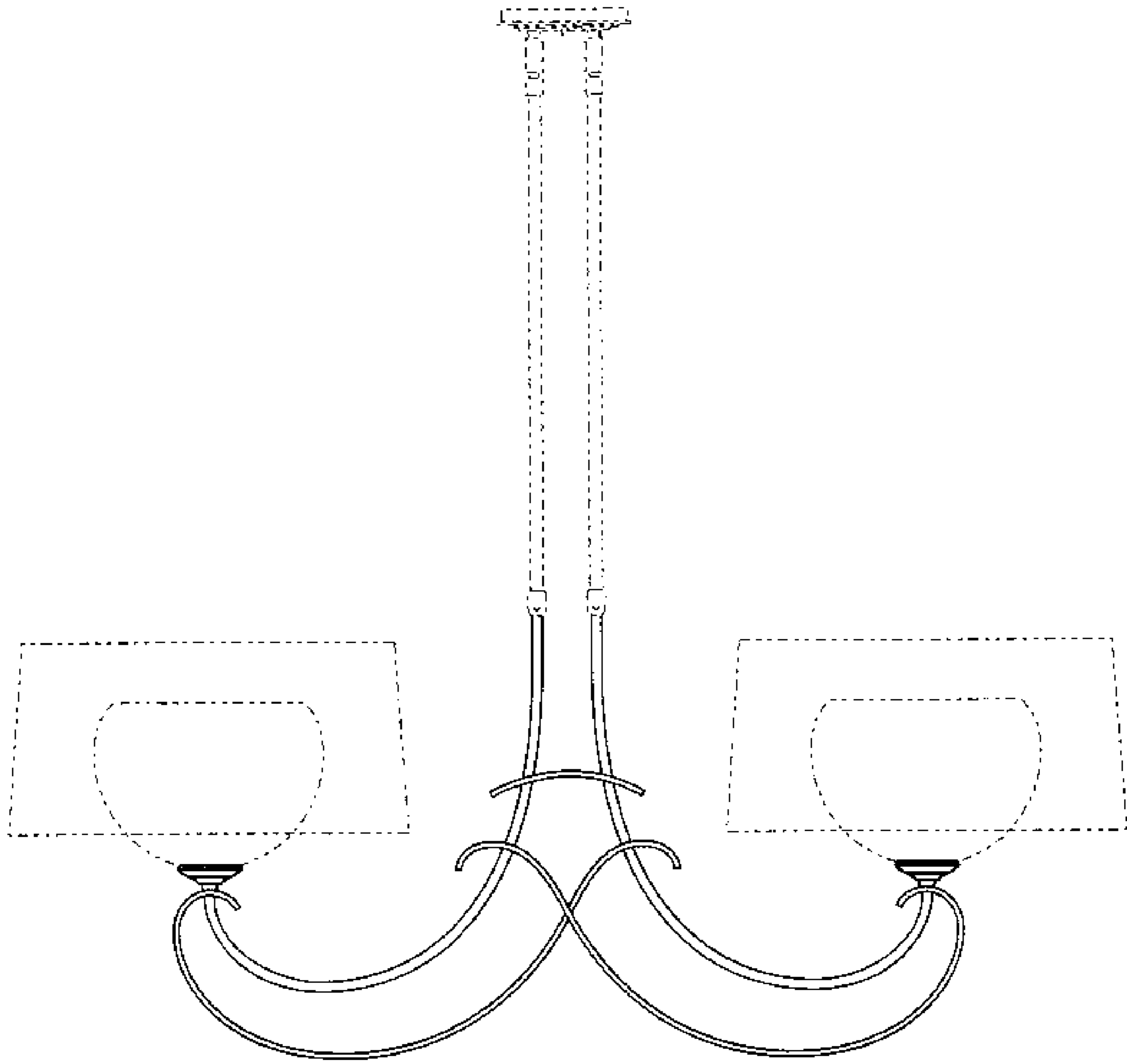


FIG. 2

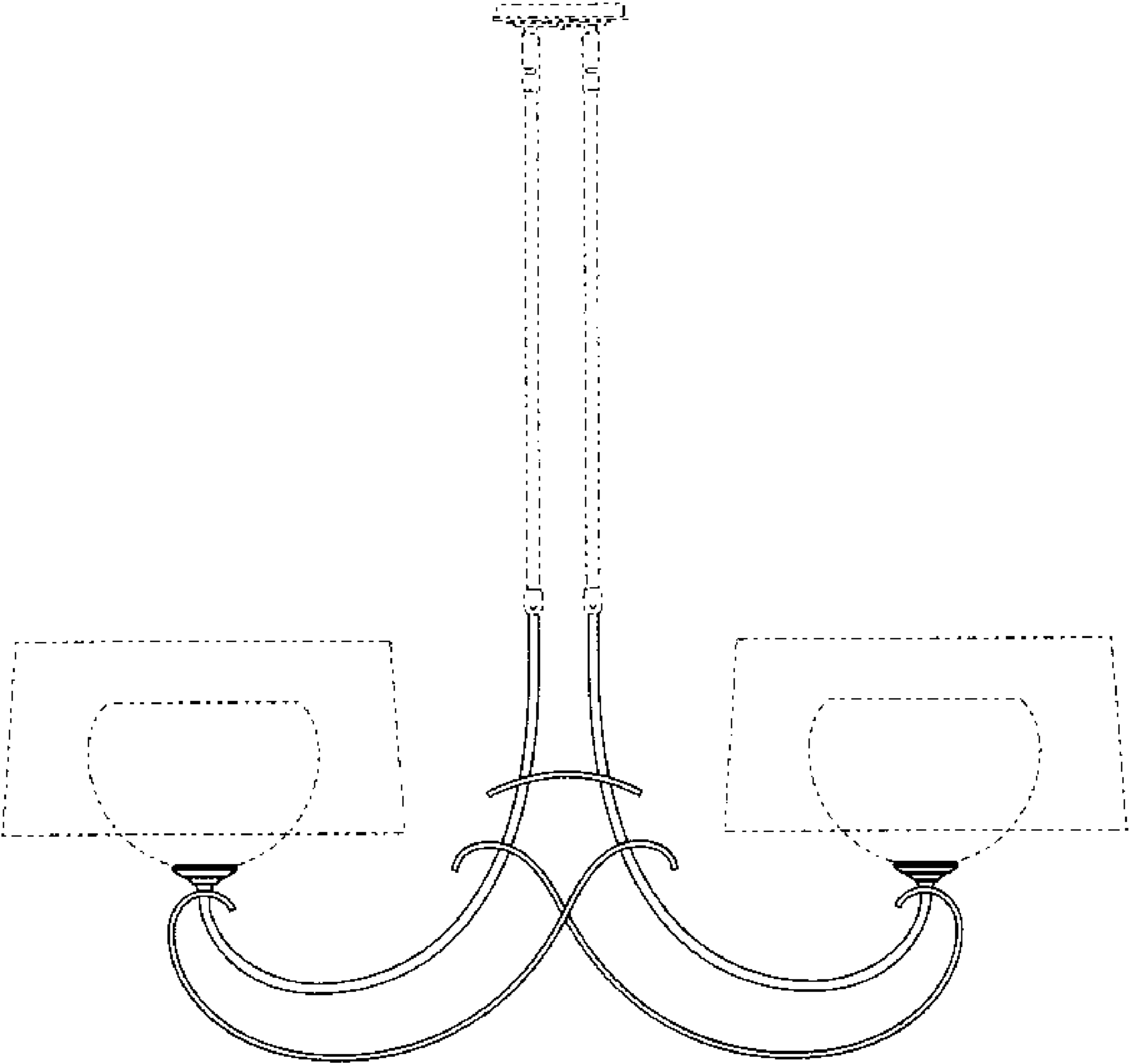


FIG. 3

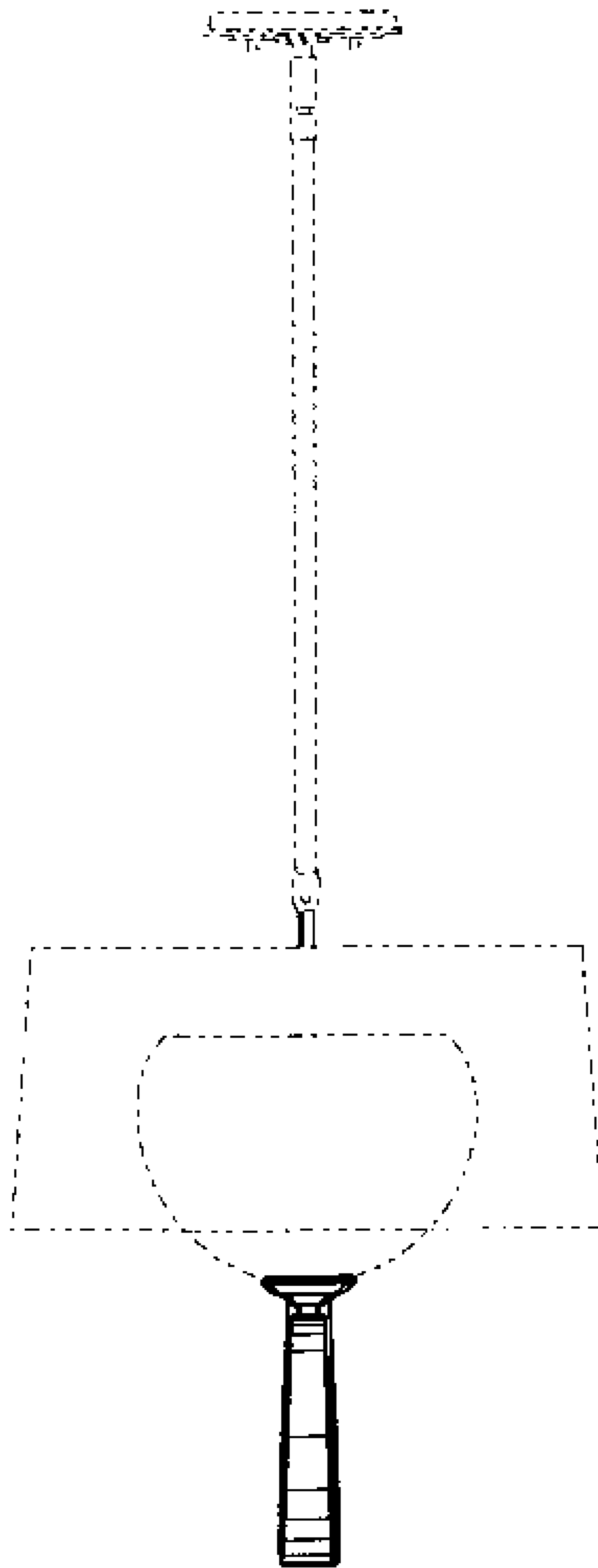


FIG. 4

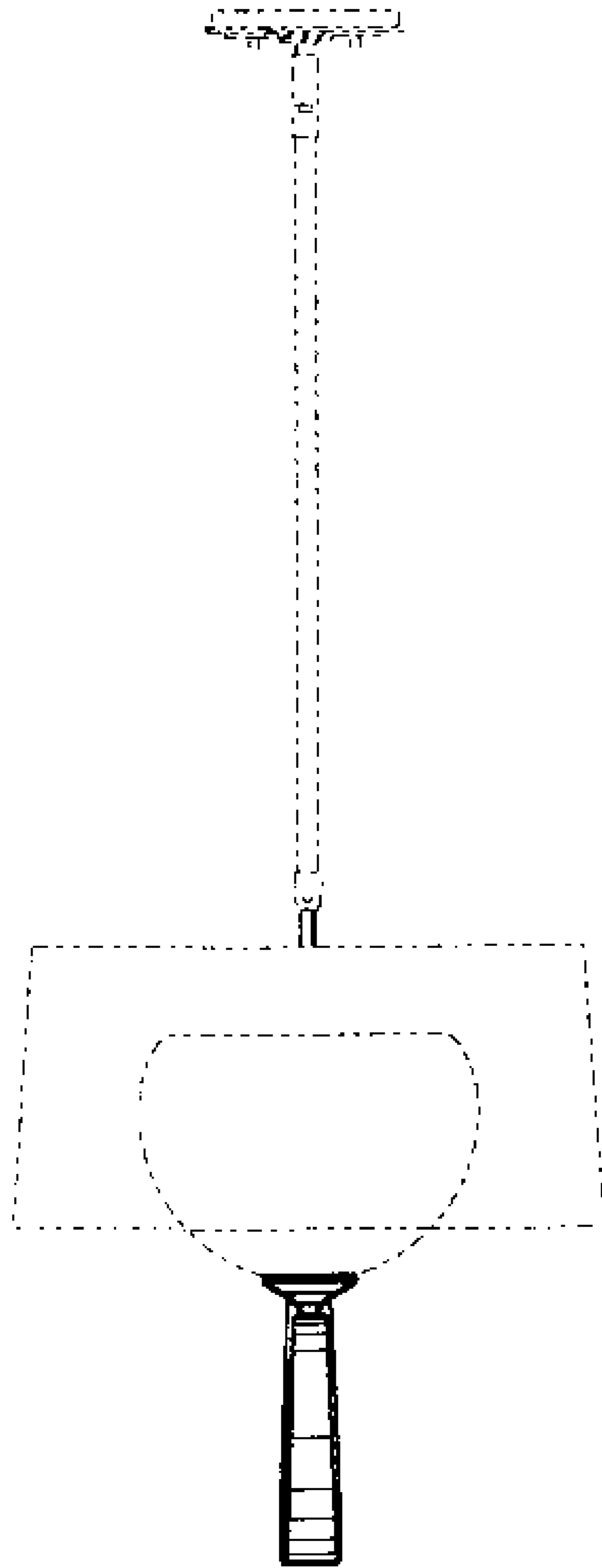


FIG. 5

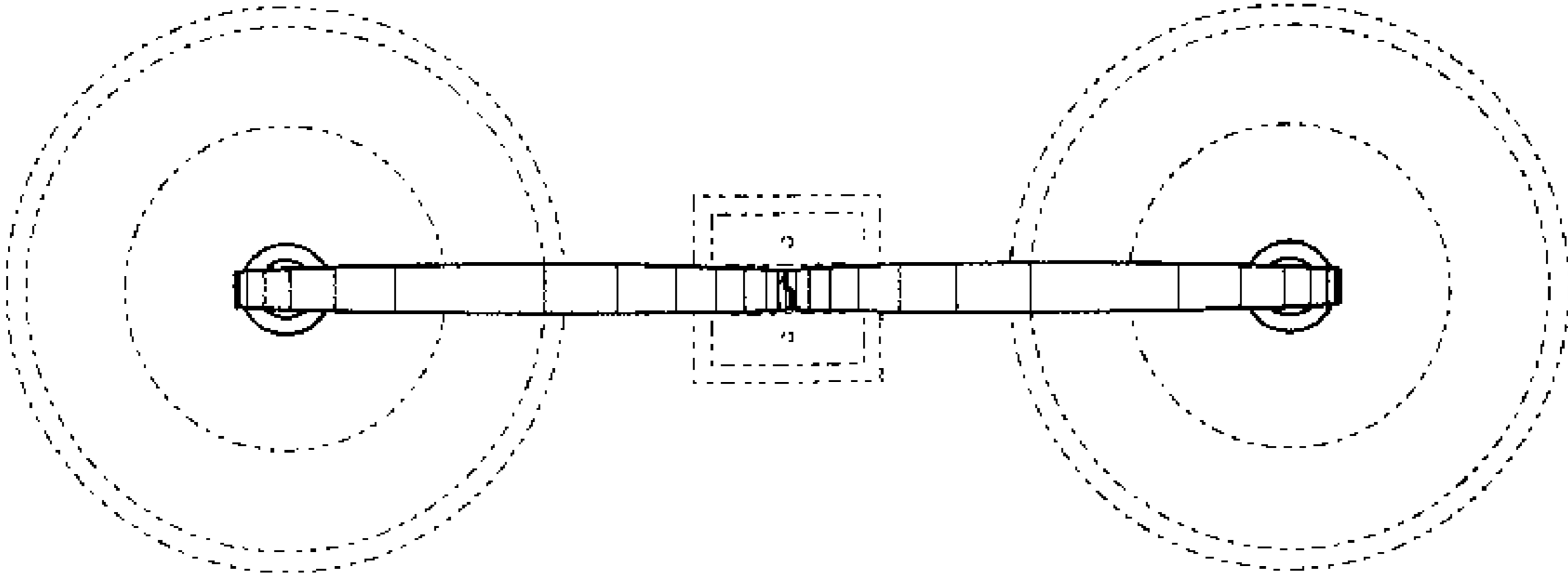


FIG. 6

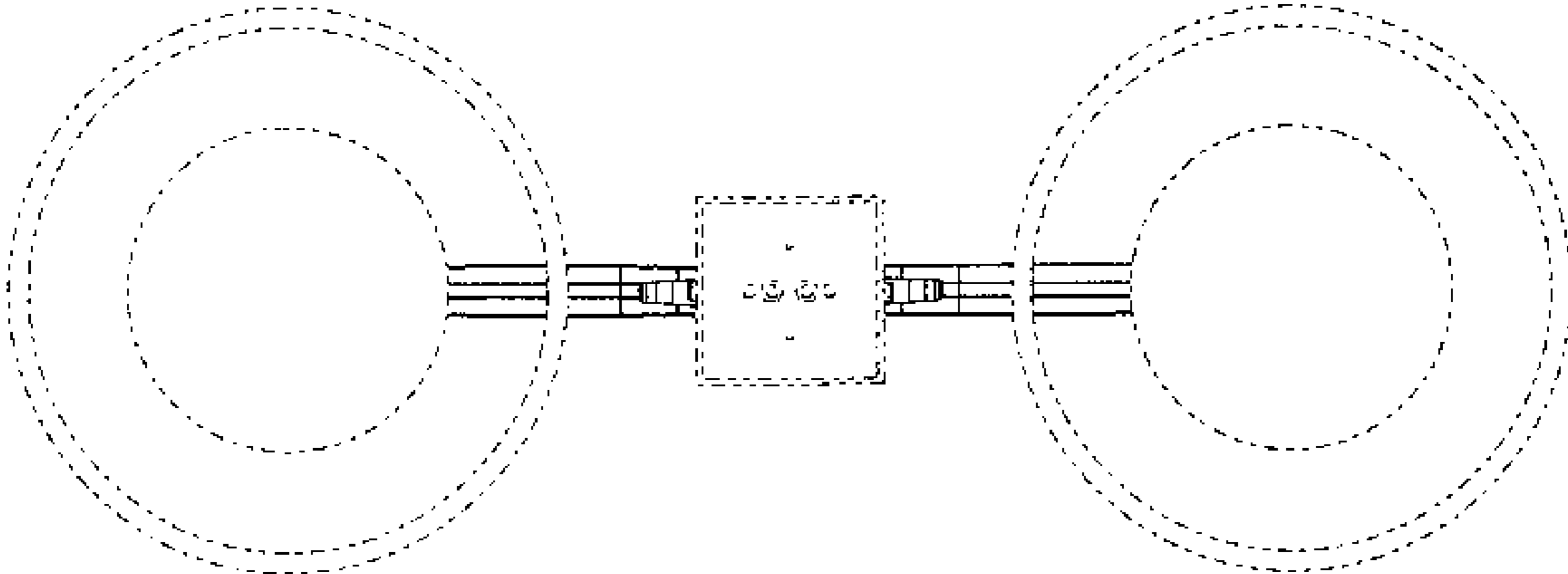


FIG. 7