



US00D576334S

(12) **United States Design Patent**  
**Levine**

(10) **Patent No.:** **US D576,334 S**  
(45) **Date of Patent:** **\*\* Sep. 2, 2008**

(54) **LIGHTING DEVICE**

(76) Inventor: **Jonathan E. Levine**, 419 Park Ave.  
South, Suite 505, New York, NY (US)  
10016

(\*\*) Term: **14 Years**

(21) Appl. No.: **29/281,099**

(22) Filed: **Jun. 14, 2007**

(51) **LOC (8) Cl.** ..... **26-03**

(52) **U.S. Cl.** ..... **D26/76**

(58) **Field of Classification Search** ..... D26/2,  
D26/7, 24, 35, 61, 72, 74-79, 81-92, 118,  
D26/122; 362/147, 217-225, 132, 260-263,  
362/267, 283, 337, 364; 43/113; D14/209;  
52/98; D23/372, 328, 385

See application file for complete search history.

(56) **References Cited**

U.S. PATENT DOCUMENTS

- D130,059 S \* 10/1941 Herr ..... D26/78
- D130,813 S \* 12/1941 Carter, Jr. .... D26/77
- 2,345,235 A \* 3/1944 Carter, Jr. .... 362/140
- D155,488 S 10/1949 Crockett
- D163,762 S \* 6/1951 McCann ..... D26/76
- 2,595,520 A \* 5/1952 Guerin ..... 362/260
- D175,933 S 11/1955 Crockett
- D259,586 S \* 6/1981 Johnson ..... D26/76
- D290,294 S 6/1987 Sano et al.
- D290,884 S 7/1987 Sano et al.
- 4,816,969 A \* 3/1989 Miller ..... 362/130
- 5,012,394 A 4/1991 Woodward
- D330,269 S \* 10/1992 Hong ..... D26/76
- D360,049 S 7/1995 Shemitz
- D377,990 S 2/1997 Nakano
- D386,278 S \* 11/1997 Engle et al. .... D26/76
- 5,765,939 A \* 6/1998 Tanner, Jr. .... 362/219
- D397,479 S \* 8/1998 Compton et al. .... D26/76
- D404,159 S \* 1/1999 Klaus ..... D26/72
- 5,934,787 A 8/1999 Sharma
- D415,304 S \* 10/1999 Brown ..... D26/87

- D423,130 S 4/2000 Kung
- D432,696 S \* 10/2000 Ford ..... D26/76
- D440,692 S \* 4/2001 Janos et al. .... D26/87
- D446,877 S 8/2001 Lester
- D456,546 S 4/2002 Bernard
- 6,390,652 B1 \* 5/2002 Echito ..... 362/374
- 6,406,161 B1 6/2002 Lin et al.
- D464,162 S \* 10/2002 Segretto ..... D26/85
- D469,560 S \* 1/2003 Nayler et al. .... D26/78
- D470,262 S \* 2/2003 Yiu ..... D26/76
- 6,536,924 B2 \* 3/2003 Segretto ..... 362/345

(Continued)

OTHER PUBLICATIONS

U.S. Appl. No. 11/954,225, filed Dec. 12, 2007, Levine.  
U.S. Appl. No. 29/298,708, filed Dec. 12, 2007, Levine.

*Primary Examiner*—Robert M. Spear  
*Assistant Examiner*—Susan E Krakower  
(74) *Attorney, Agent, or Firm*—Theodore W. Baker

(57) **CLAIM**

I claim the ornamental design for a lighting device, as shown and described.

**DESCRIPTION**

FIG. 1 is a top and side perspective view of a lighting device according to my new design.

FIG. 2 is an end elevation view of the lighting device of FIG. 1, the opposite end view being a mirror image thereof.

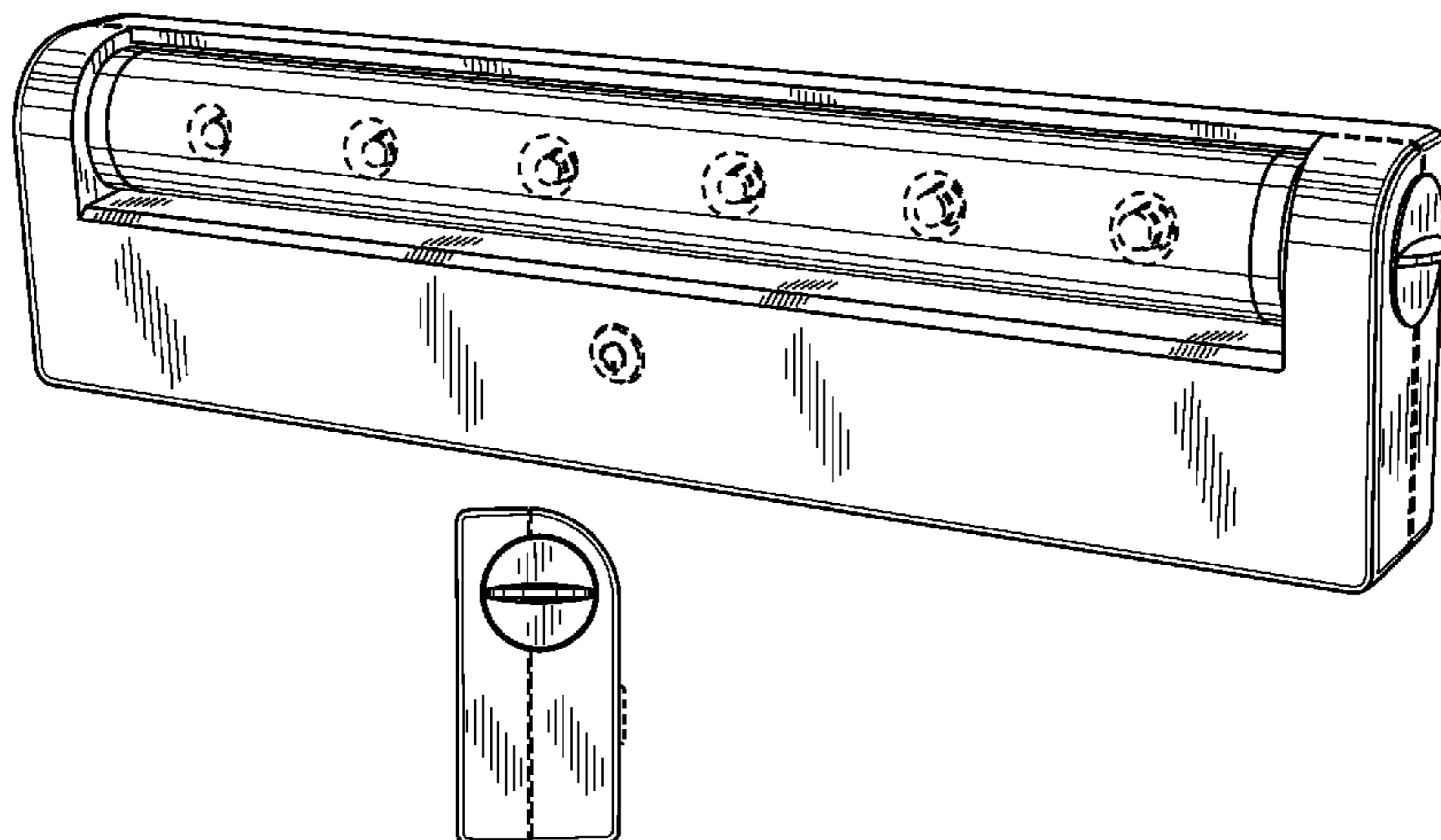
FIG. 3 is a front elevation view of the lighting device of FIG. 1.

FIG. 4 is a back elevation view of the lighting device of FIG. 1.

FIG. 5 is a top plan view of the lighting device of FIG. 1; and, FIG. 6 is a bottom plan view of the lighting device of FIG. 1.

The broken lines illustrate portions of the lighting device that form no part of the claimed design.

**1 Claim, 2 Drawing Sheets**





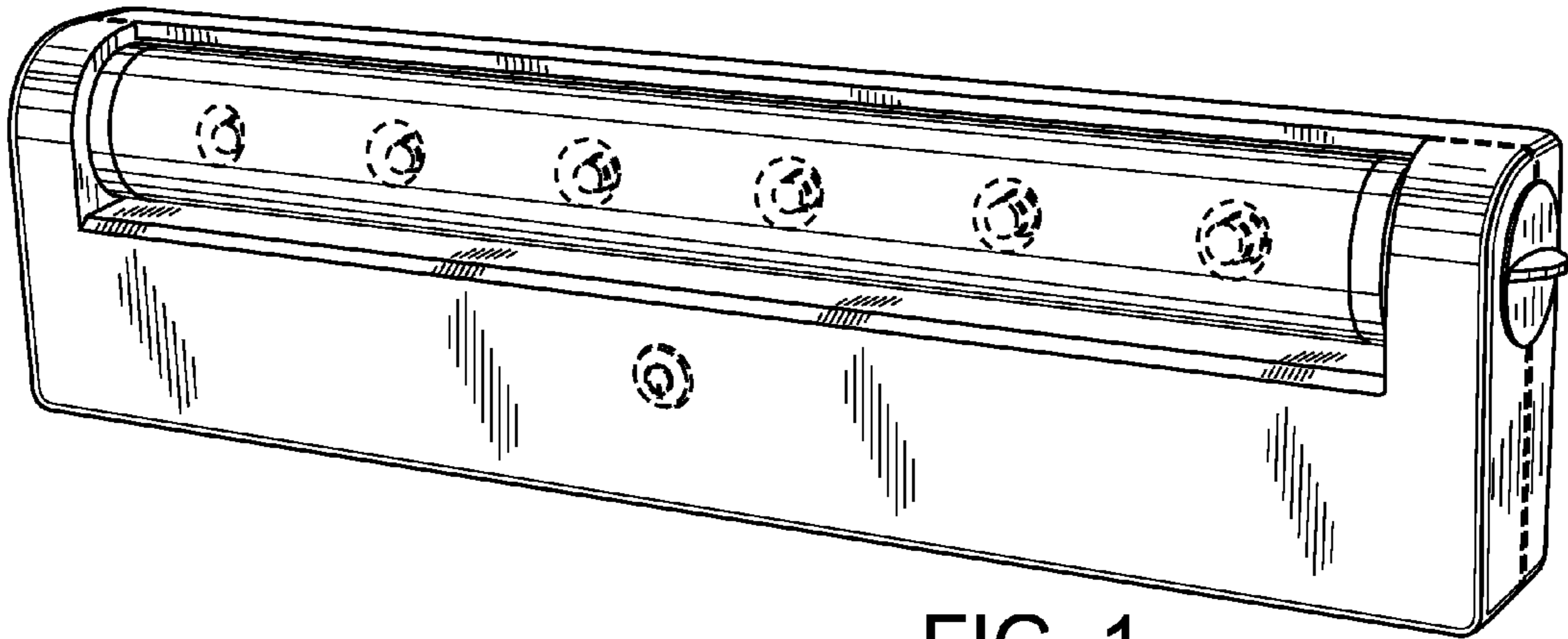


FIG. 1

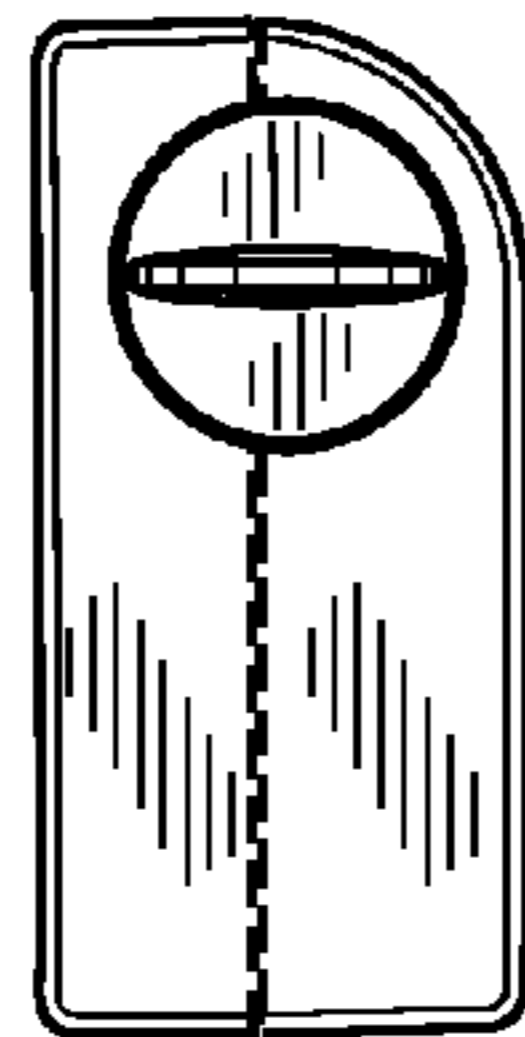


FIG. 2

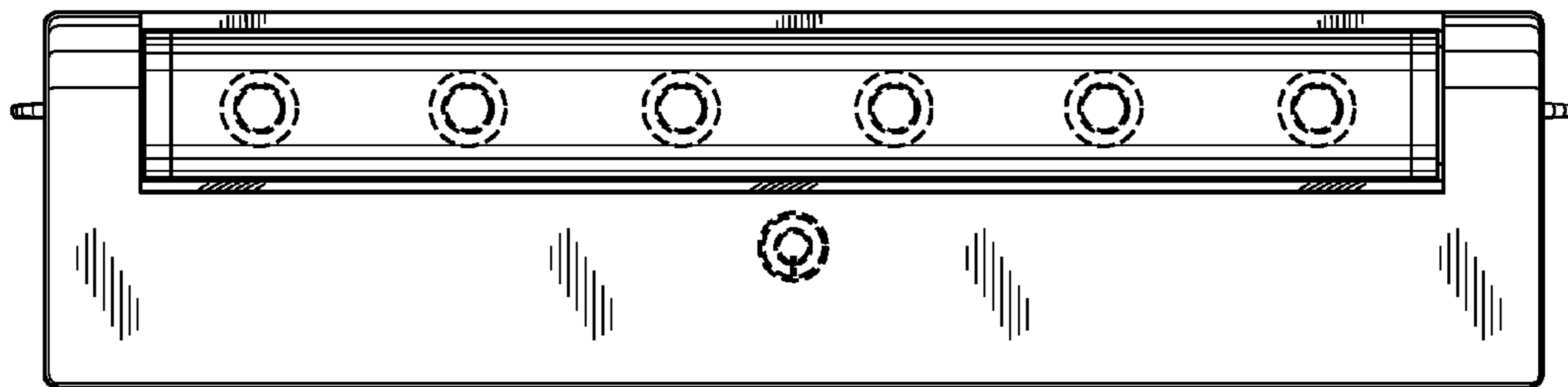


FIG. 3

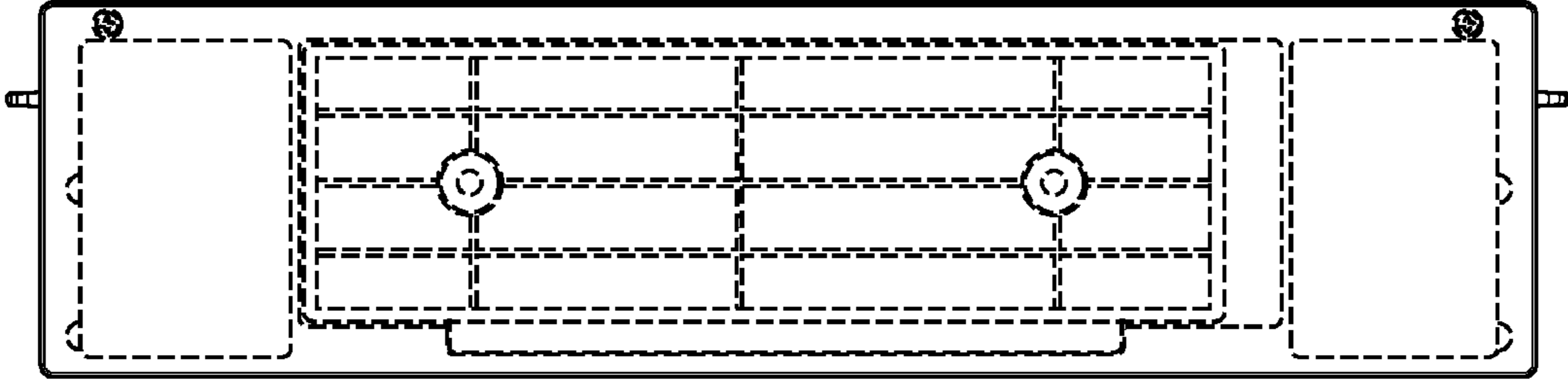


FIG. 4



FIG. 5

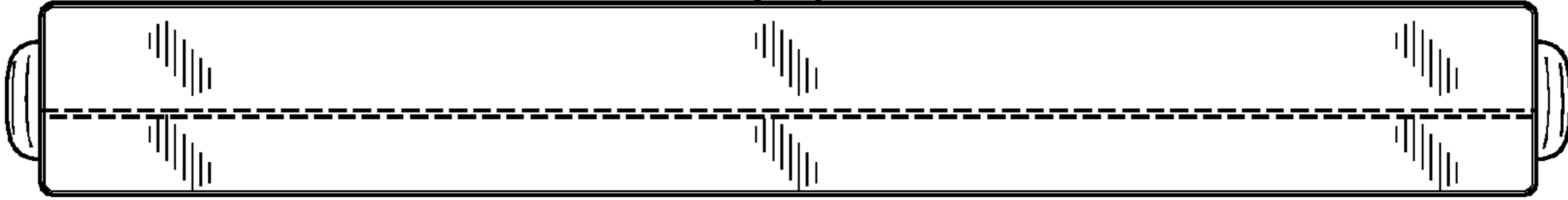


FIG. 6