



US00D576330S

(12) **United States Design Patent**  
**Ruud et al.**

(10) **Patent No.:** **US D576,330 S**

(45) **Date of Patent:** **\*\* Sep. 2, 2008**

(54) **LED FLOODLIGHT**

(75) Inventors: **Alan J. Ruud**, Racine, WI (US); **Kurt Wilcox**, Libertyville, IL (US); **Steven R. Walczak**, Hales Corners, WI (US); **Robert D. Giese**, Kenosha, WI (US)

(73) Assignee: **Ruud Lighting, Inc.**, Racine, WI (US)

(\*\*) Term: **14 Years**

(21) Appl. No.: **29/266,884**

(22) Filed: **Sep. 29, 2006**

(51) **LOC (8) Cl.** ..... **26-05**

(52) **U.S. Cl.** ..... **D26/71; D26/72**

(58) **Field of Classification Search** ..... D26/60,  
D26/67-72, 75-78, 85, 24; 362/102, 240,  
362/157-159, 183, 101, 431, 367; D20/17,  
D20/41; 40/541

See application file for complete search history.

(56) **References Cited**

**U.S. PATENT DOCUMENTS**

D125,468 S *	2/1941	Dreyfuss	.....	D26/24
D208,491 S *	9/1967	Brooks	.....	D26/71
D209,982 S *	1/1968	Cohen	.....	D26/24
D215,337 S *	9/1969	Portman et al.	.....	D26/24
D306,909 S *	3/1990	Kelley et al.	.....	D26/24
D329,104 S *	9/1992	Dieperink	.....	D26/87
D352,126 S *	11/1994	Ruud et al.	.....	D26/67
D391,659 S *	3/1998	Gaskins et al.	.....	D26/71
D472,007 S *	3/2003	Weitgasser	.....	D26/76
6,784,357 B1 *	8/2004	Wang	.....	136/244
D496,750 S *	9/2004	Waldmann	.....	D26/78
D531,342 S *	10/2006	Kauffman et al.	.....	D26/68
2004/0095773 A1 *	5/2004	Gaskins et al.	.....	362/370

**OTHER PUBLICATIONS**

Excerpt from enLux Lighting (www.enluxled.com), "enLux 6K Series LED Outdoor Area Light", 3 pages. Date: undated.

Excerpt from enLux Lighting (www.enluxled.com), "enLux 6K Series LED Theatrical Area Light", 1 page. Date: undated.

Alpha One GmbH, "Falcon Flood-Led", 5 pages. Date: undated.

Alpha One GmbH, "Savi Architectural LED Lighting", 3 pages. Date: undated.

Excerpt from Supervision International website (www.svision.com), "Savi SHO", 2 pages. Date: undated.

Excerpt from Supervision International website (www.svision.com), "Savi SHO" technical specification, 2 pages. Date: undated.

Leotek brochure, "LED Outdoor Luminaire & Light Fixtures", 2 pages. Date: undated.

Excerpt from enLux Lighting (www.enluxled.com), "enLux 1K LED Light Bar Module," 2 pages.

\* cited by examiner

*Primary Examiner*—Clare E Heflin

(74) *Attorney, Agent, or Firm*—Jansson Shupe & Munger Ltd.

(57) **CLAIM**

The ornamental design of the LED floodlight, as shown and described.

**DESCRIPTION**

FIG. 1 is a front perspective view of the LED floodlight;

FIG. 2 is a back perspective view of the LED floodlight;

FIG. 3 is a front elevation view of the LED floodlight;

FIG. 4 is a back elevation view of the LED floodlight;

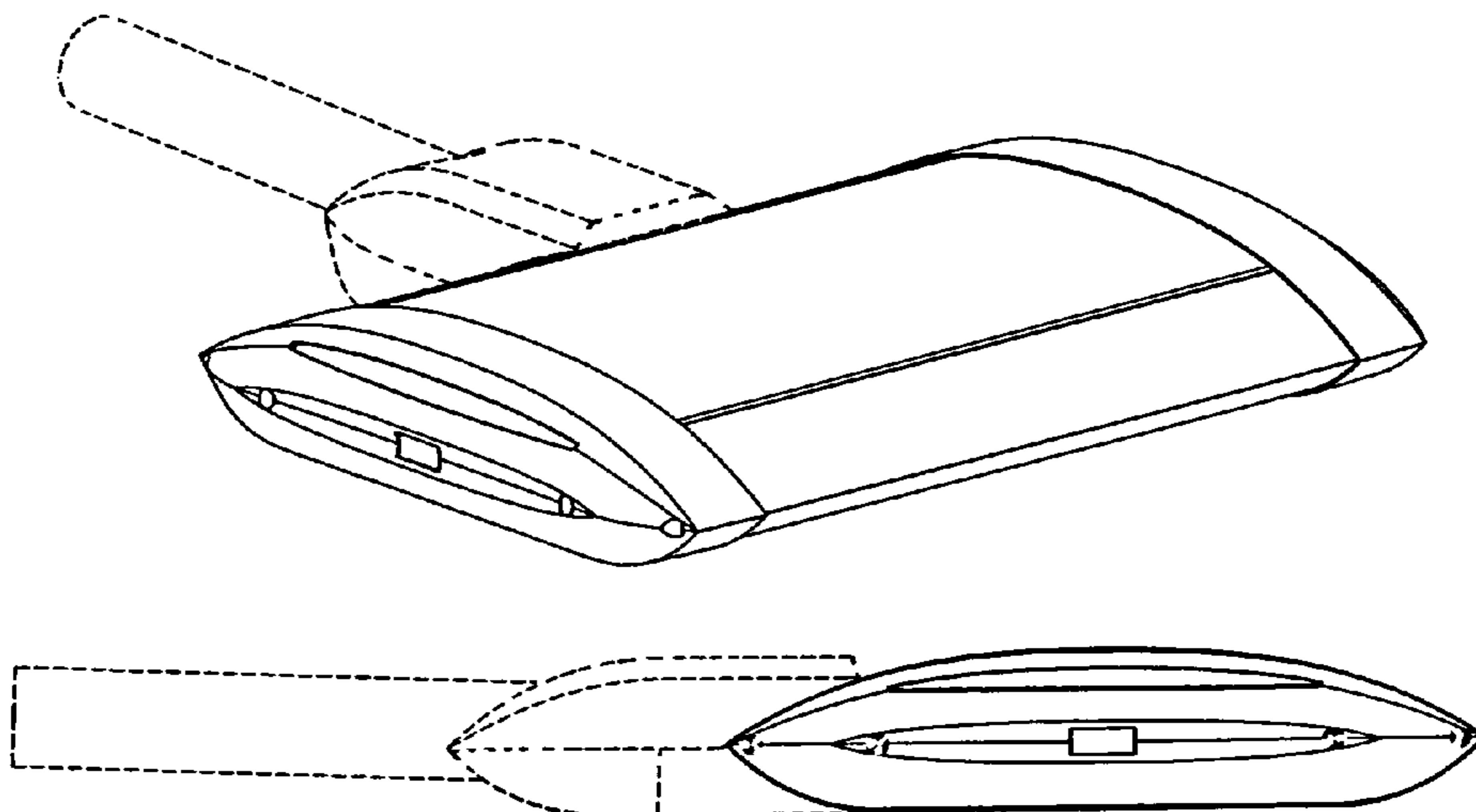
FIG. 5 is a left side elevation view of the LED floodlight, the right side elevation view being a mirror image;

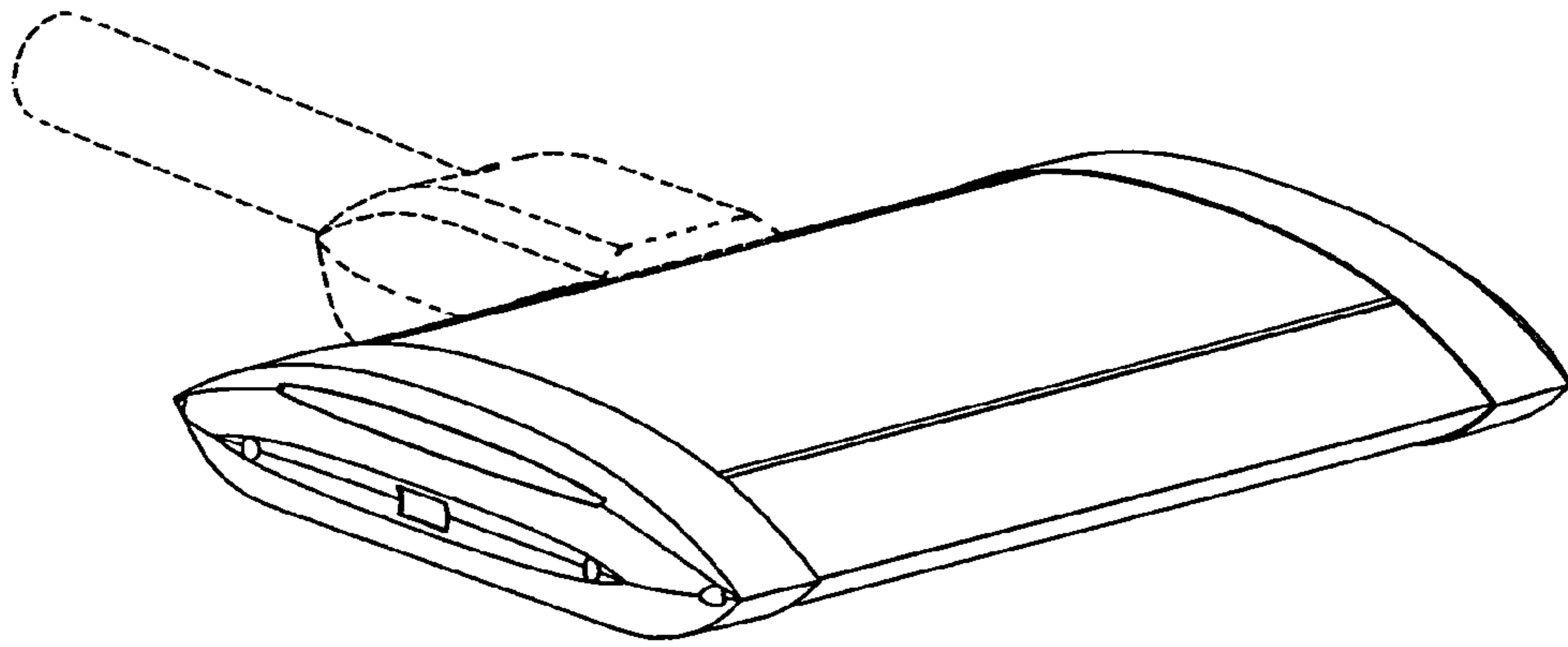
FIG. 6 is a top plan view of the LED floodlight; and,

FIG. 7 is a bottom plan view of the LED floodlight.

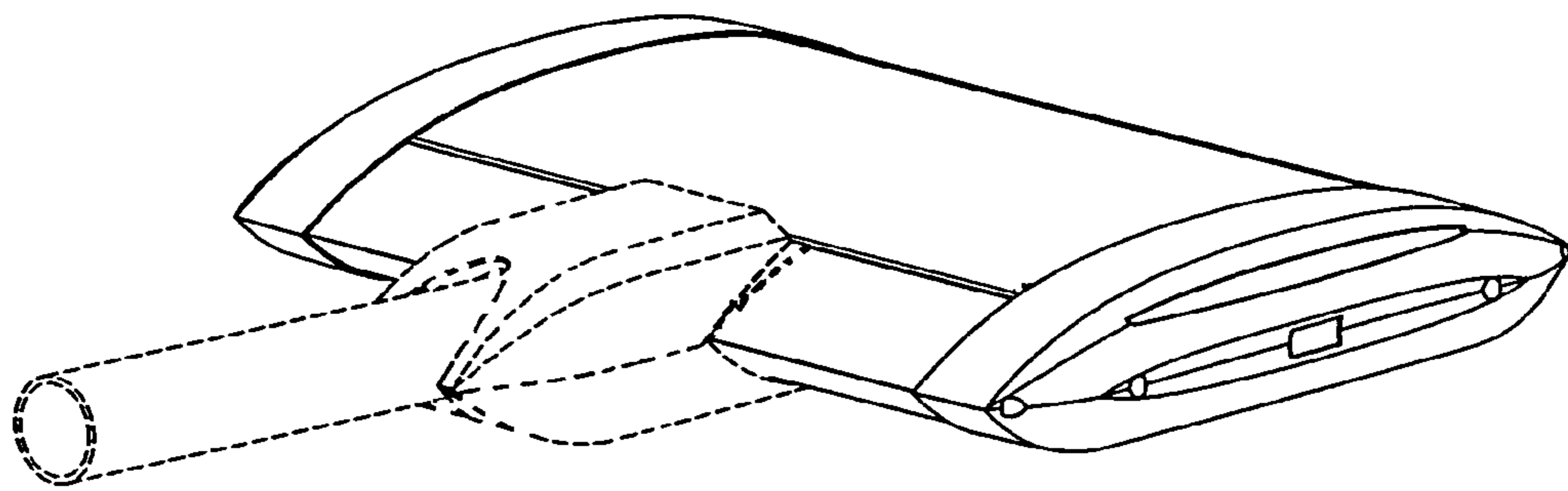
The broken lines shown on the drawings are for illustrative purposes only and form no part of the claimed design.

**1 Claim, 7 Drawing Sheets**

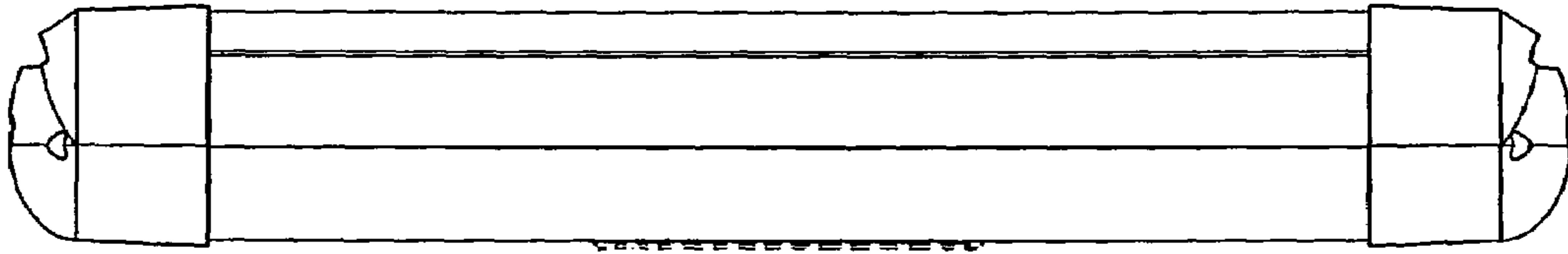




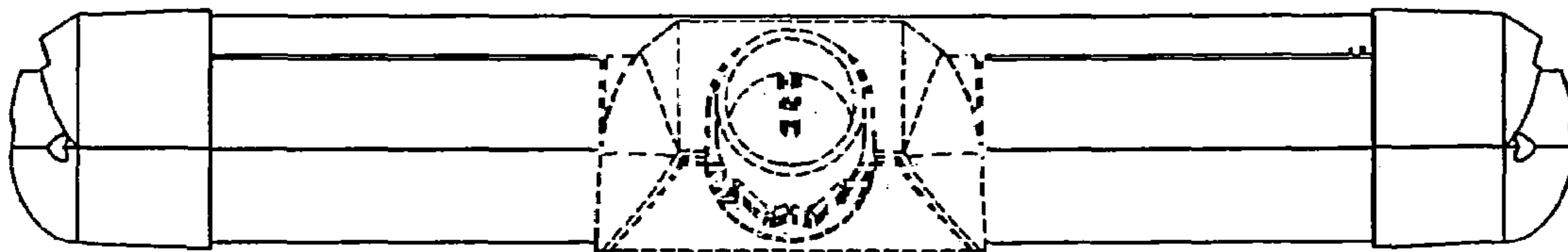
**FIG. 1**



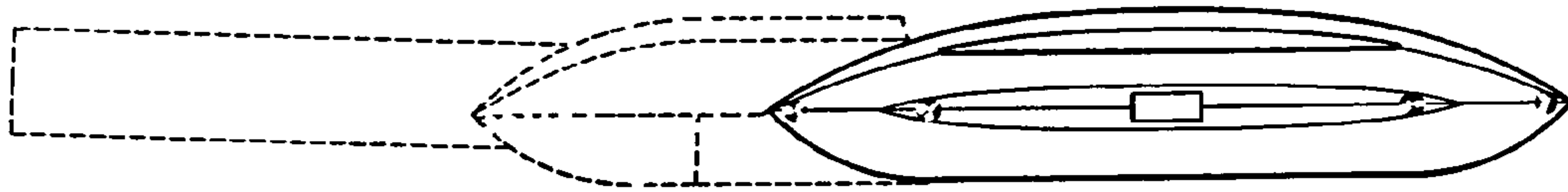
**FIG. 2**



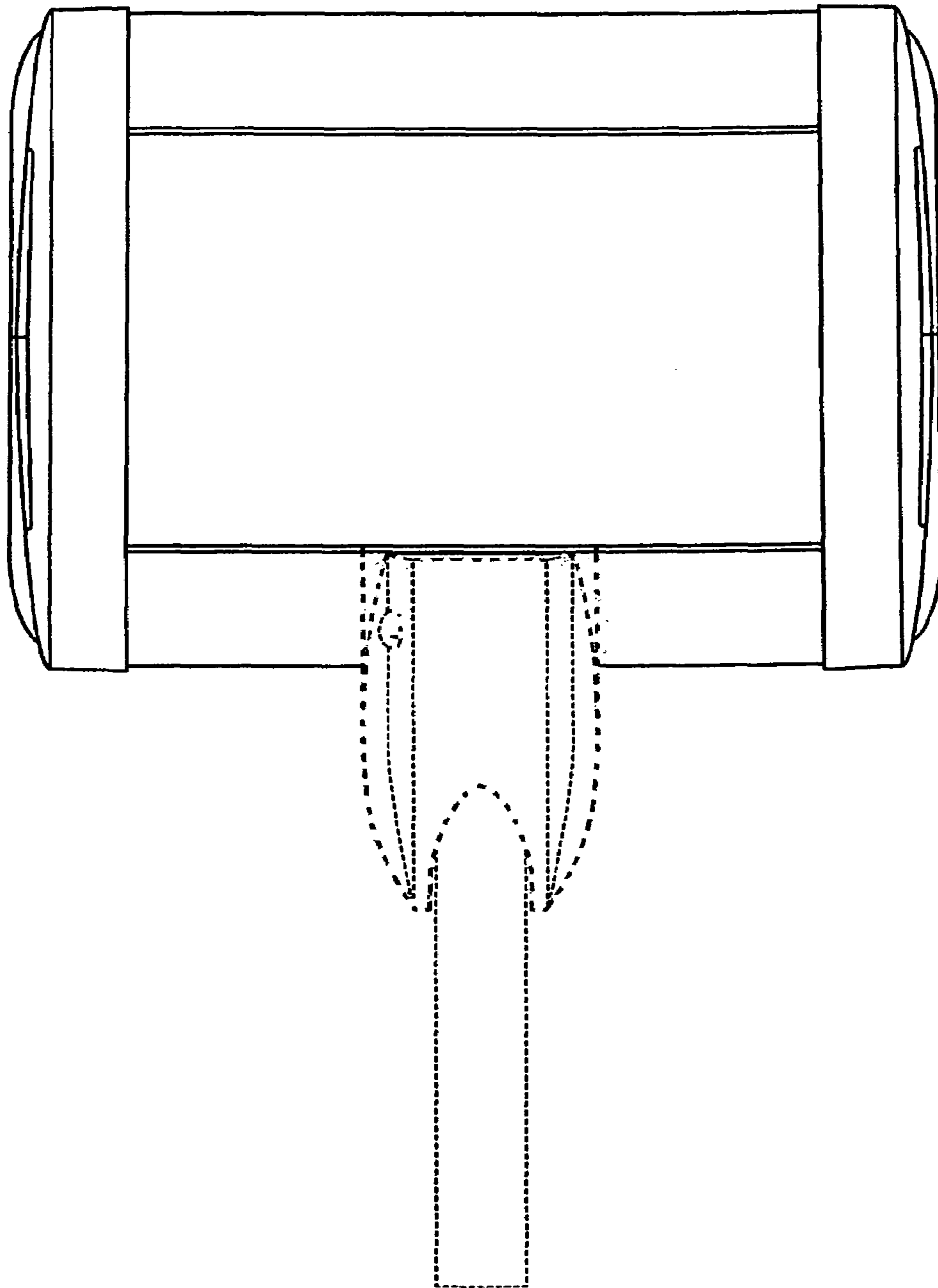
**FIG. 3**



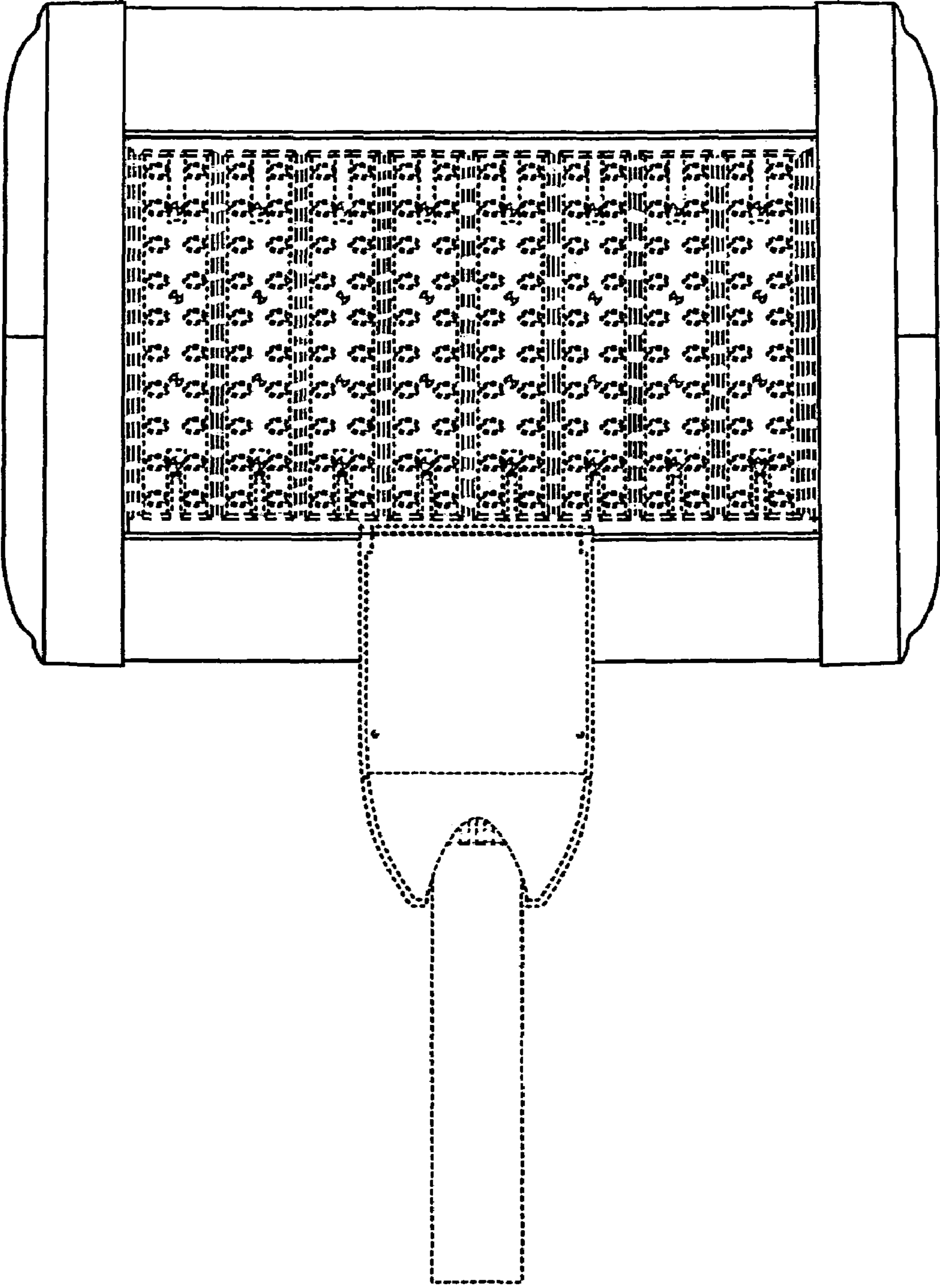
**FIG. 4**



**FIG. 5**



**FIG. 6**



**FIG. 7**