



US00D576329S

(12) **United States Design Patent**
Poon

(10) **Patent No.:** **US D576,329 S**
(45) **Date of Patent:** **** Sep. 2, 2008**

(54) **LANTERN**

D505,216 S * 5/2005 Chen D26/40
D521,167 S * 5/2006 Krieger et al. D26/40
D556,928 S * 12/2007 Poon et al. D26/40

(75) Inventor: **Tit Wing Poon**, New Territories (HK)

(73) Assignee: **Flying Dragon Development Limited**,
New Territories (HK)

(**) Term: **14 Years**

(21) Appl. No.: **29/302,643**

(22) Filed: **Jan. 21, 2008**

(30) **Foreign Application Priority Data**

Oct. 16, 2007 (HK) 0702668

(51) **LOC (8) Cl.** **26-02**

(52) **U.S. Cl.** **D26/40**

(58) **Field of Classification Search** D26/37-50;
362/157, 158, 171-174

See application file for complete search history.

(56) **References Cited**

U.S. PATENT DOCUMENTS

D424,726 S * 5/2000 Petterson et al. D26/40
D429,354 S * 8/2000 Petterson D26/40
D491,302 S * 6/2004 Krieger et al. D26/40

* cited by examiner

Primary Examiner—Marcus A. Jackson

(74) *Attorney, Agent, or Firm*—Intellectual Property Law
Group LLP; Otto O. Lee; Juneko Jackson

(57) **CLAIM**

The ornamental design for a lantern, as shown and described.

DESCRIPTION

FIG. 1 is a front elevational view of a lantern, embodying my
new design;

FIG. 2 is a rear elevational view thereof;

FIG. 3 is a right side elevational view thereof;

FIG. 4 is a left side elevational view thereof;

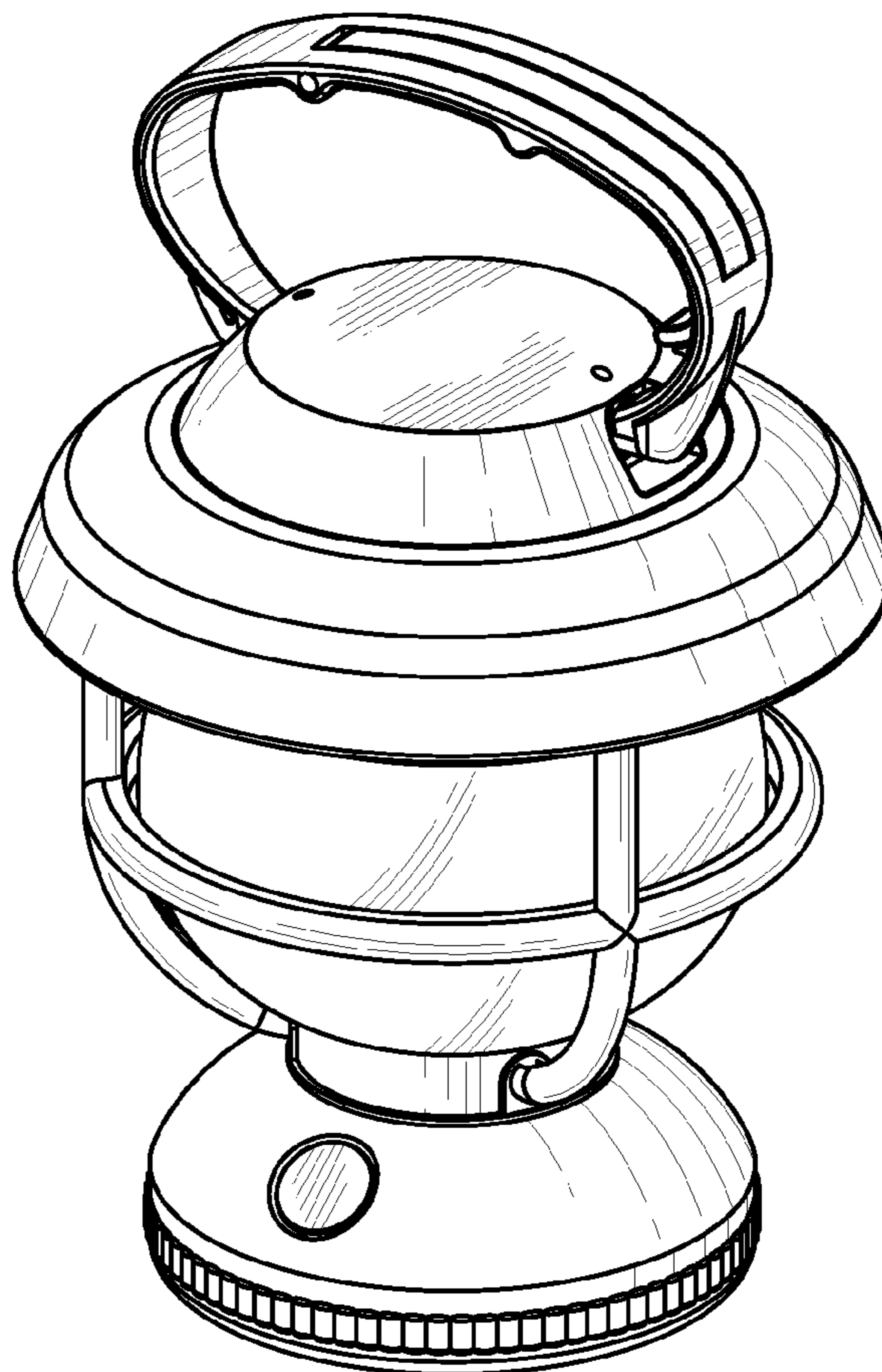
FIG. 5 is a top plan view thereof;

FIG. 6 is a bottom plan view thereof

FIG. 7 is a top perspective view thereof; and,

FIG. 8 is a bottom perspective view thereof.

1 Claim, 3 Drawing Sheets



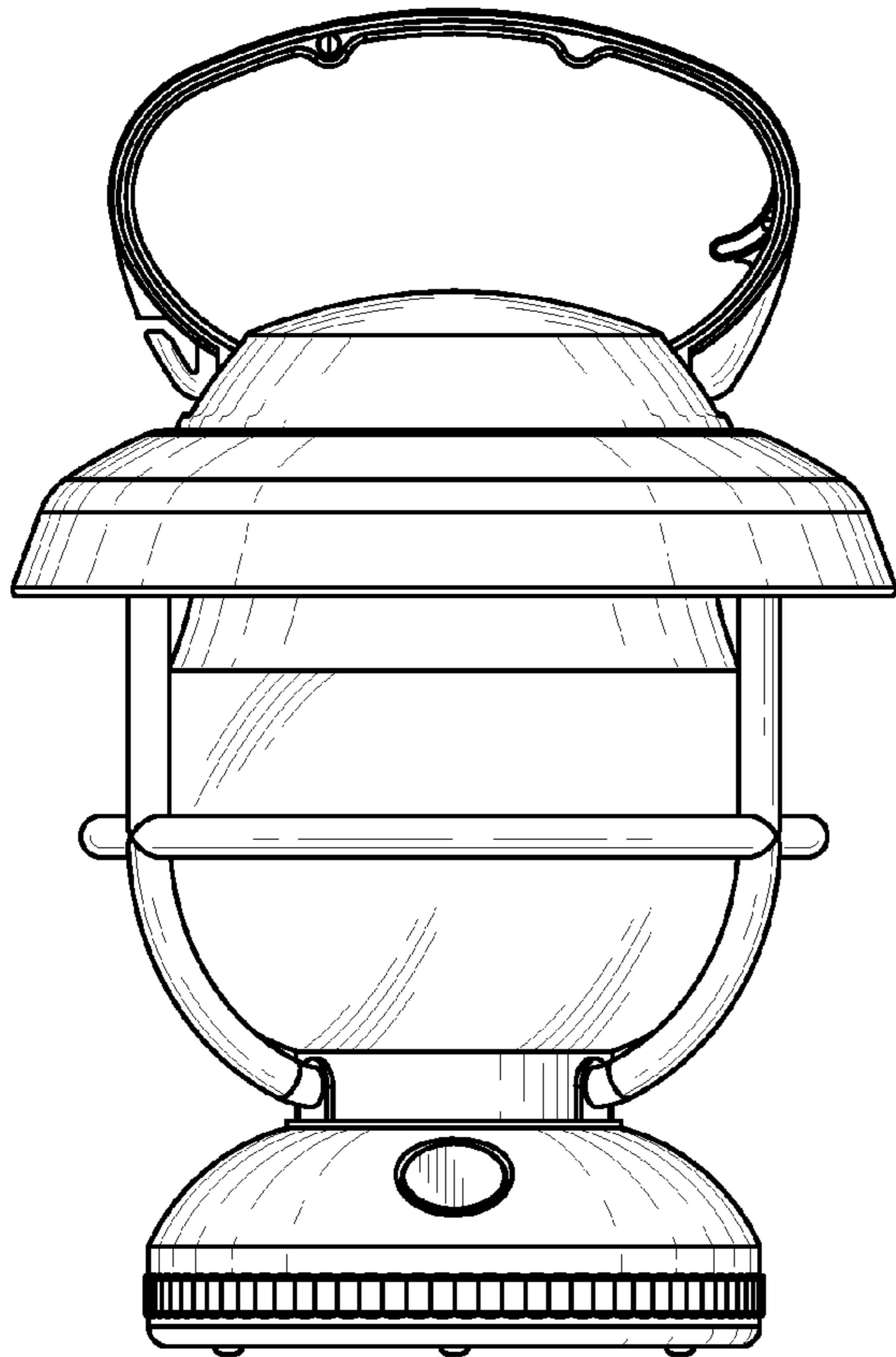


FIG. 1

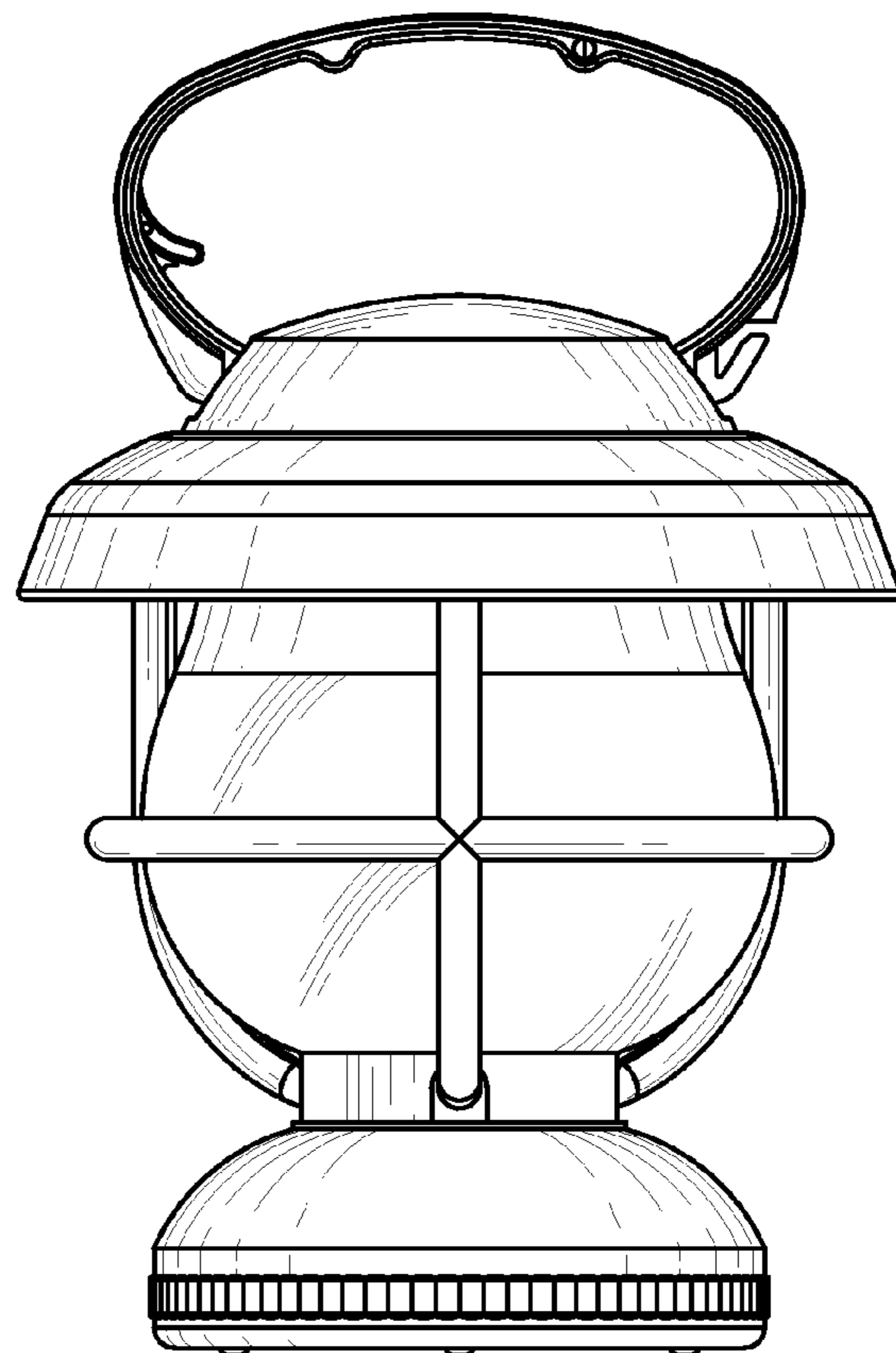


FIG. 2

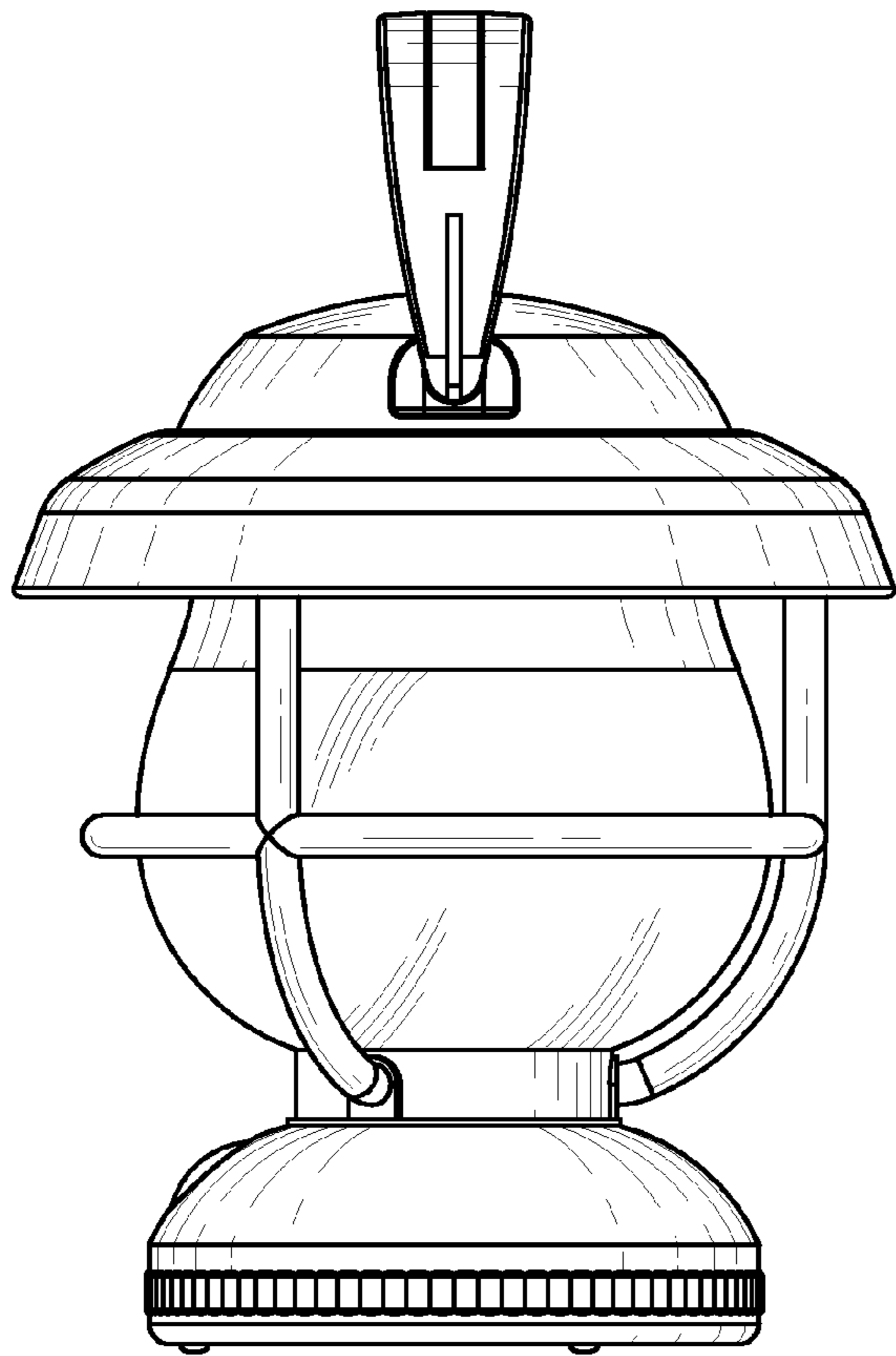


FIG. 3

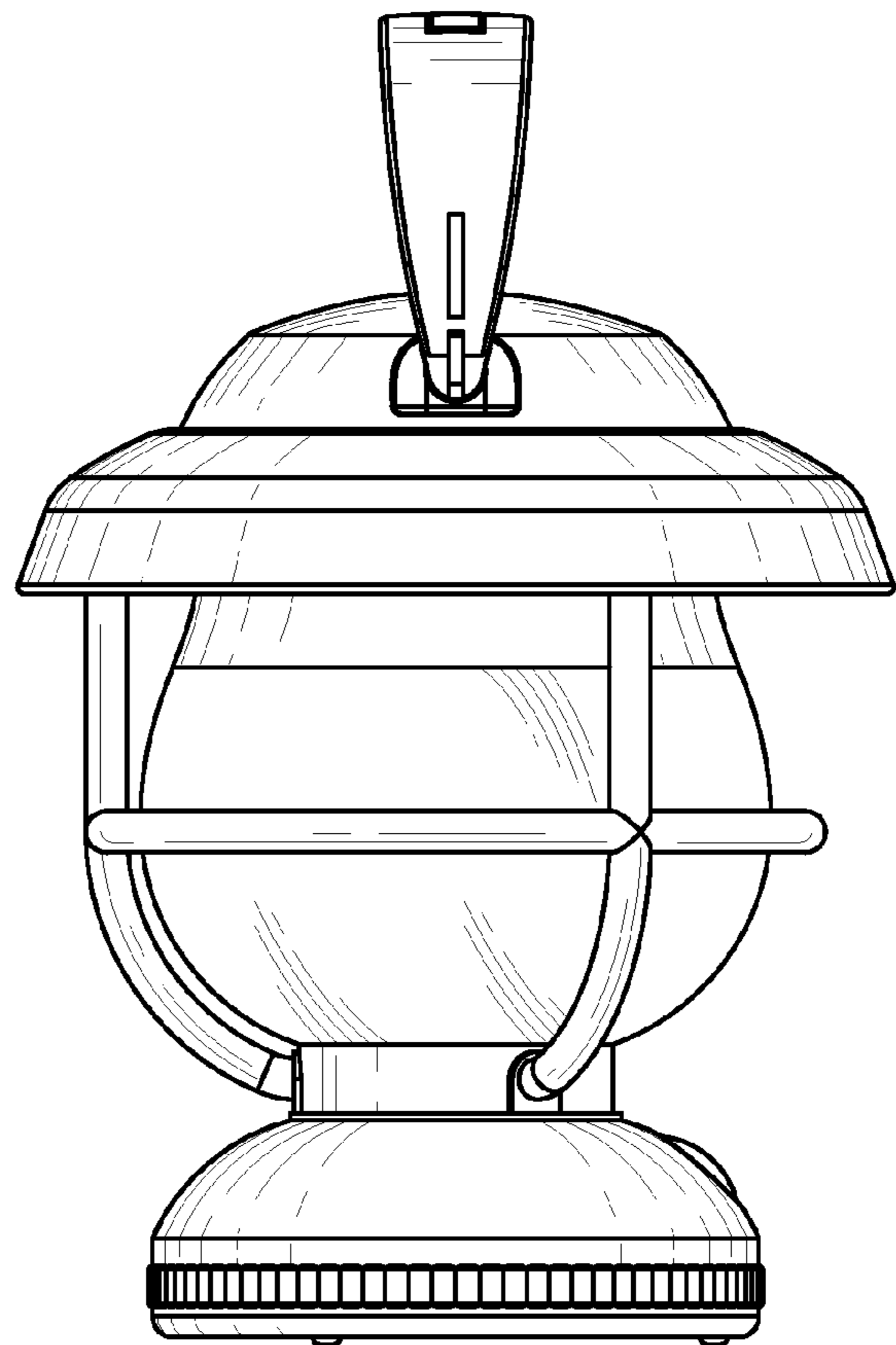


FIG. 4

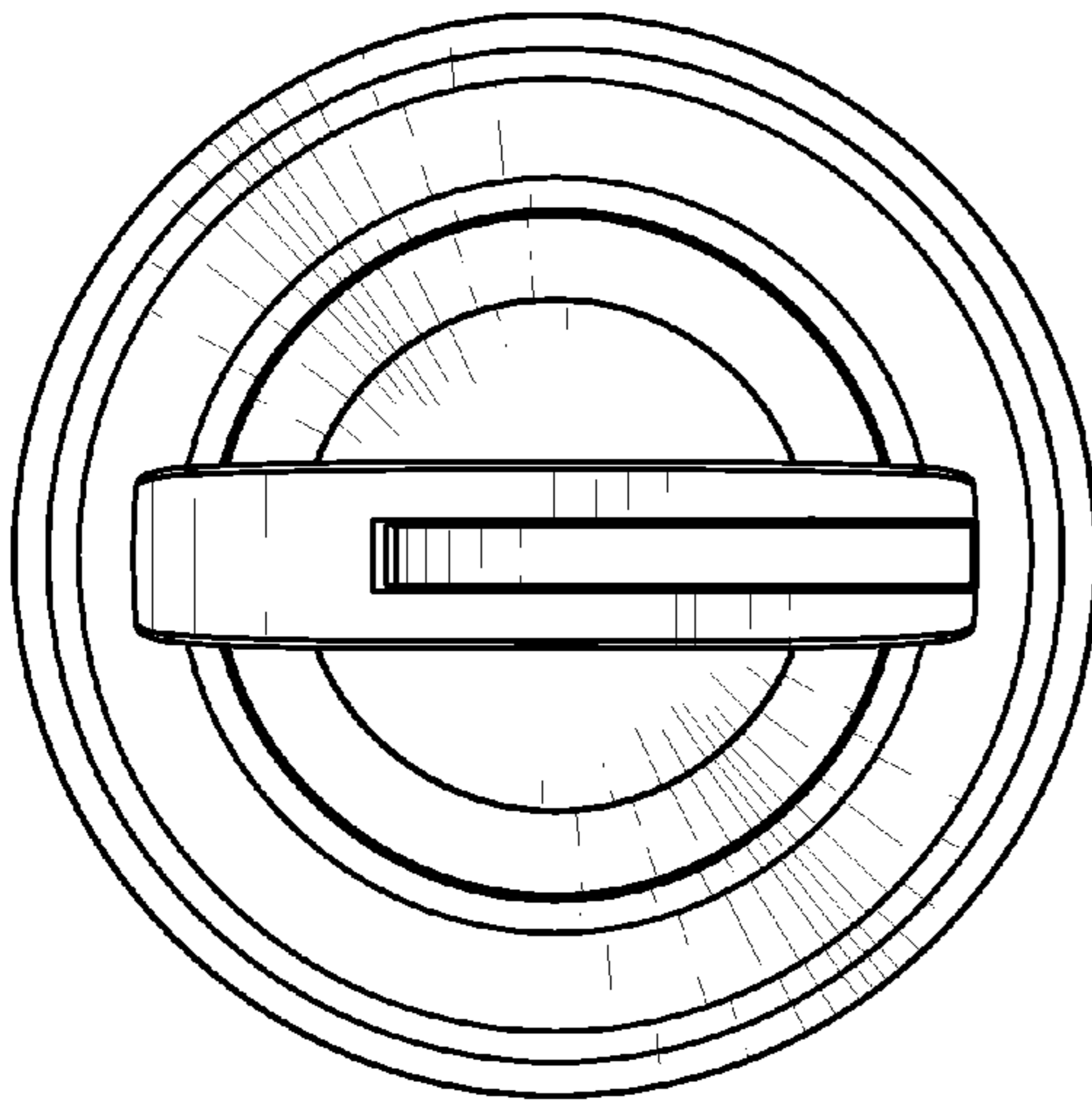


FIG. 5

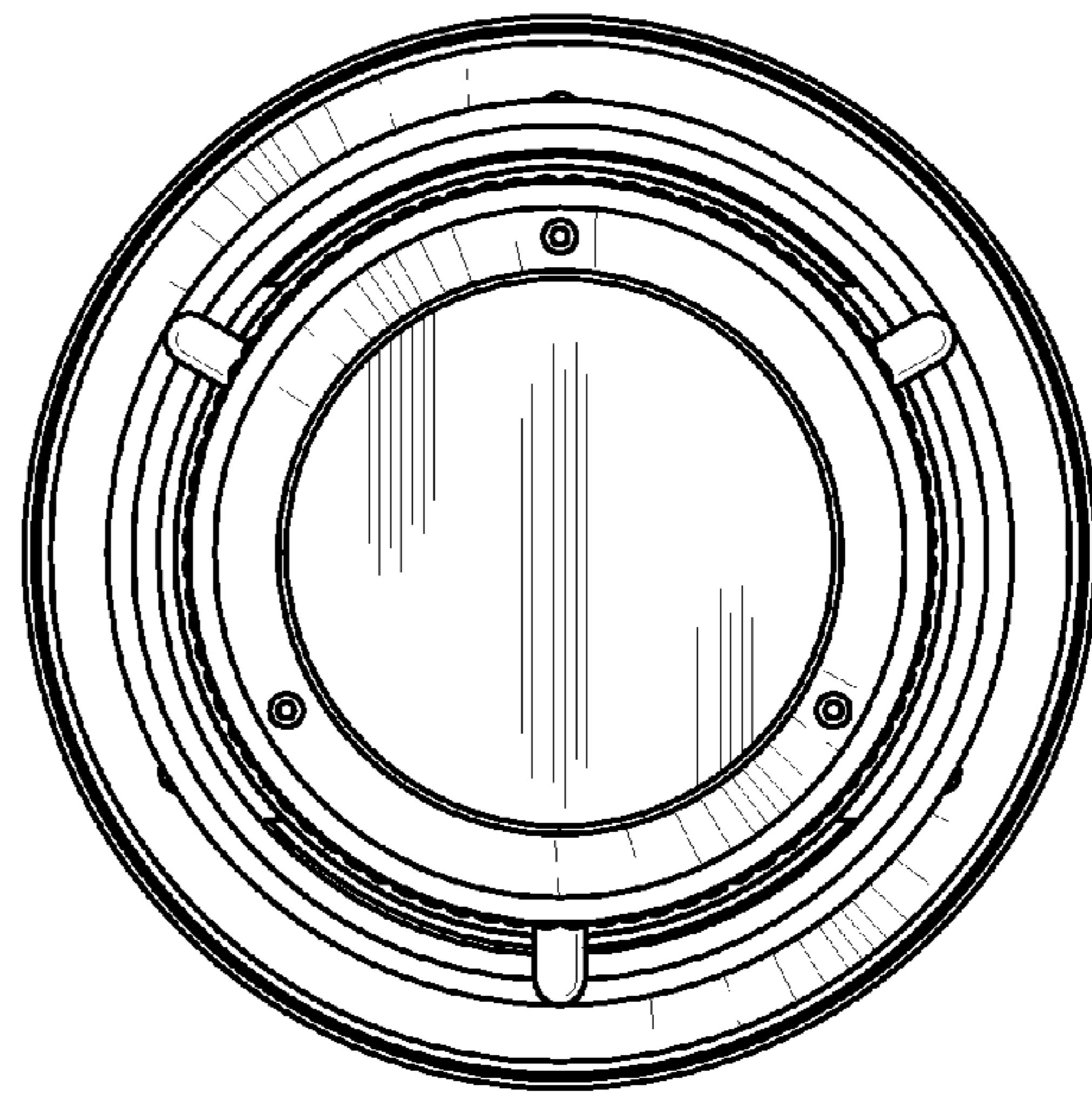


FIG. 6

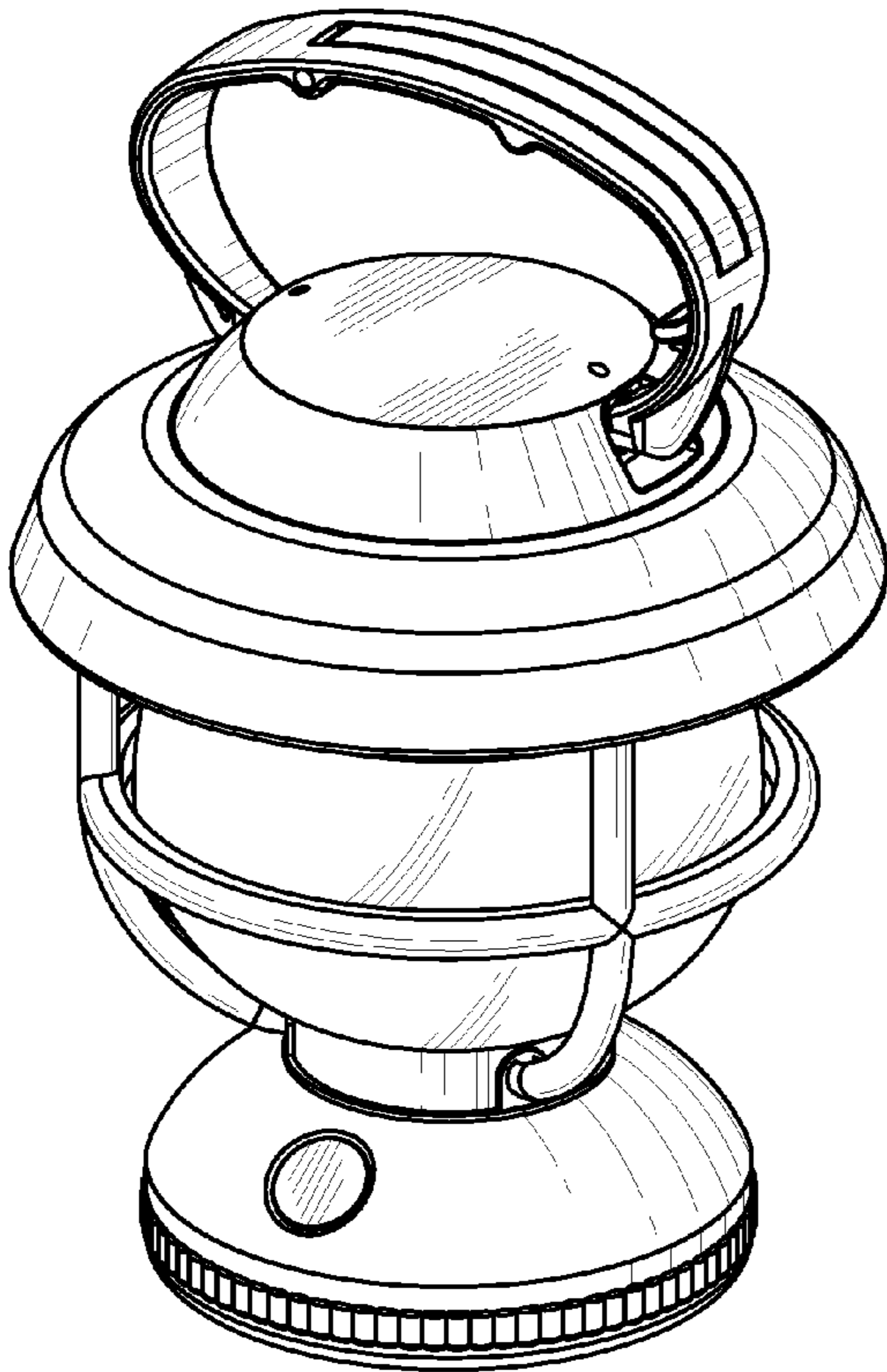


FIG. 7

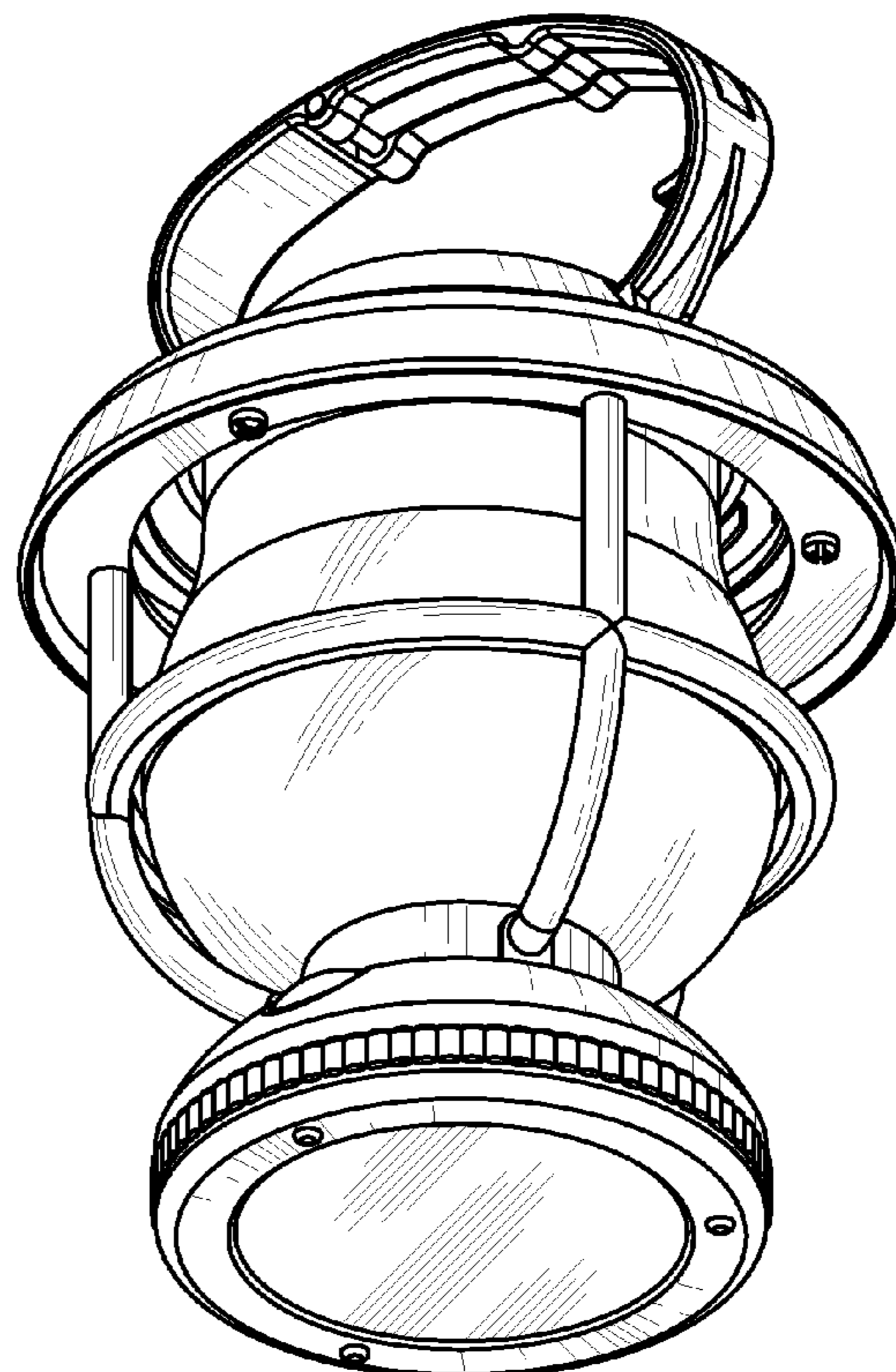


FIG. 8