



US00D576328S

(12) **United States Design Patent**  
**Poon**

(10) **Patent No.:** **US D576,328 S**  
(45) **Date of Patent:** **\*\* Sep. 2, 2008**

(54) **HEADLIGHT**

(75) Inventor: **Tit Wing Poon**, New Territories (HK)

(73) Assignee: **Flying Dragon Development Limited**,  
New Territories (HK)

(\*\*) Term: **14 Years**

(21) Appl. No.: **29/302,644**

(22) Filed: **Jan. 21, 2008**

(30) **Foreign Application Priority Data**

Oct. 2, 2007 (HK) ..... 0702436

(51) **LOC (8) Cl.** ..... **26-02**

(52) **U.S. Cl.** ..... **D26/39**

(58) **Field of Classification Search** ..... D26/37-50;  
362/157, 158, 171-174, 183-208

See application file for complete search history.

(56) **References Cited**

**U.S. PATENT DOCUMENTS**

D542,450 S \* 5/2007 Shiu ..... D26/60

D554,782 S \* 11/2007 Shiu ..... D26/39

D555,265 S \* 11/2007 Shiu ..... D26/39

D560,008 S \* 1/2008 Poon ..... D26/39

\* cited by examiner

*Primary Examiner*—Marcus A. Jackson  
(74) *Attorney, Agent, or Firm*—Intellectual Property Law  
Group LLP; Otto O. Lee; Juneko Jackson

(57) **CLAIM**

The ornamental design for a headlight, as shown and  
described.

**DESCRIPTION**

FIG. 1 is a front elevational view of a headlight, embodying  
my new design;

FIG. 2 is a rear elevational view thereof;

FIG. 3 is a left side elevational view thereof;

FIG. 4 is a right side elevational view thereof;

FIG. 5 is a top plan view thereof;

FIG. 6 is a bottom plan view thereof

FIG. 7 is a top perspective view thereof;

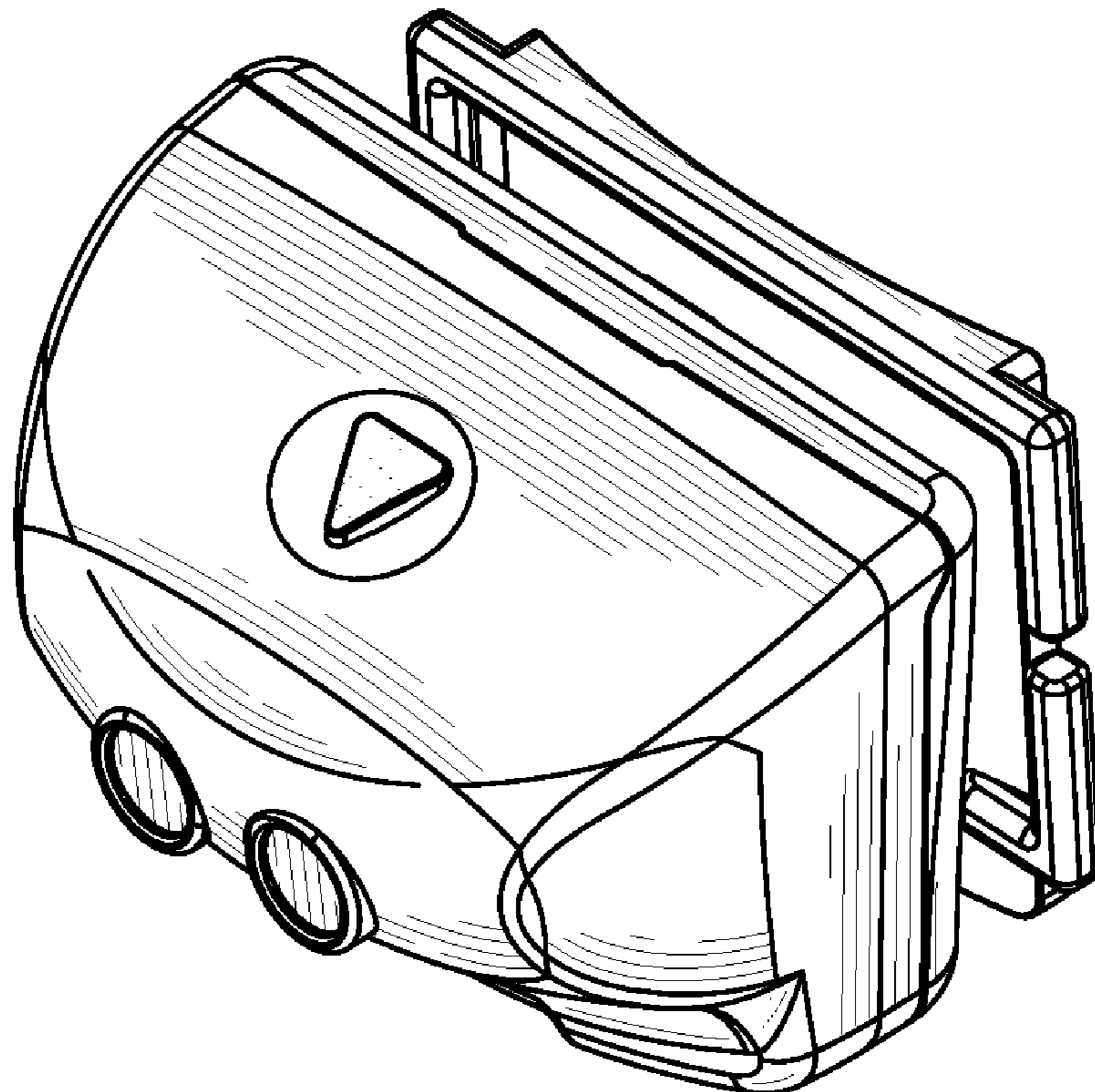
FIG. 8 is a bottom perspective view thereof;

FIG. 9 is a left side elevational view of FIG. 1 in an open  
position;

FIG. 10 is a top perspective view of FIG. 9; and,

FIG. 11 is a bottom perspective view of FIG. 9.

**1 Claim, 3 Drawing Sheets**



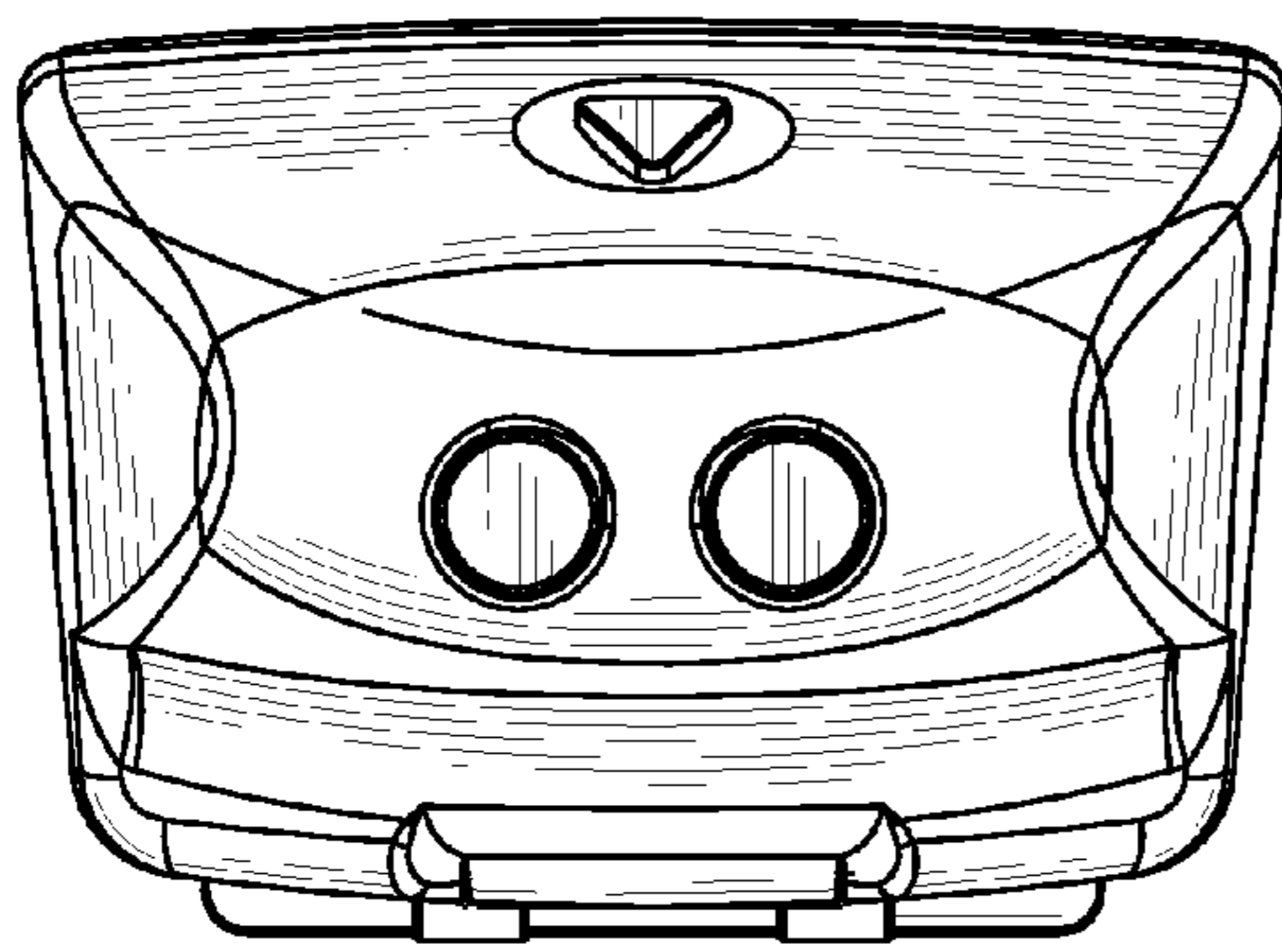


FIG. 1

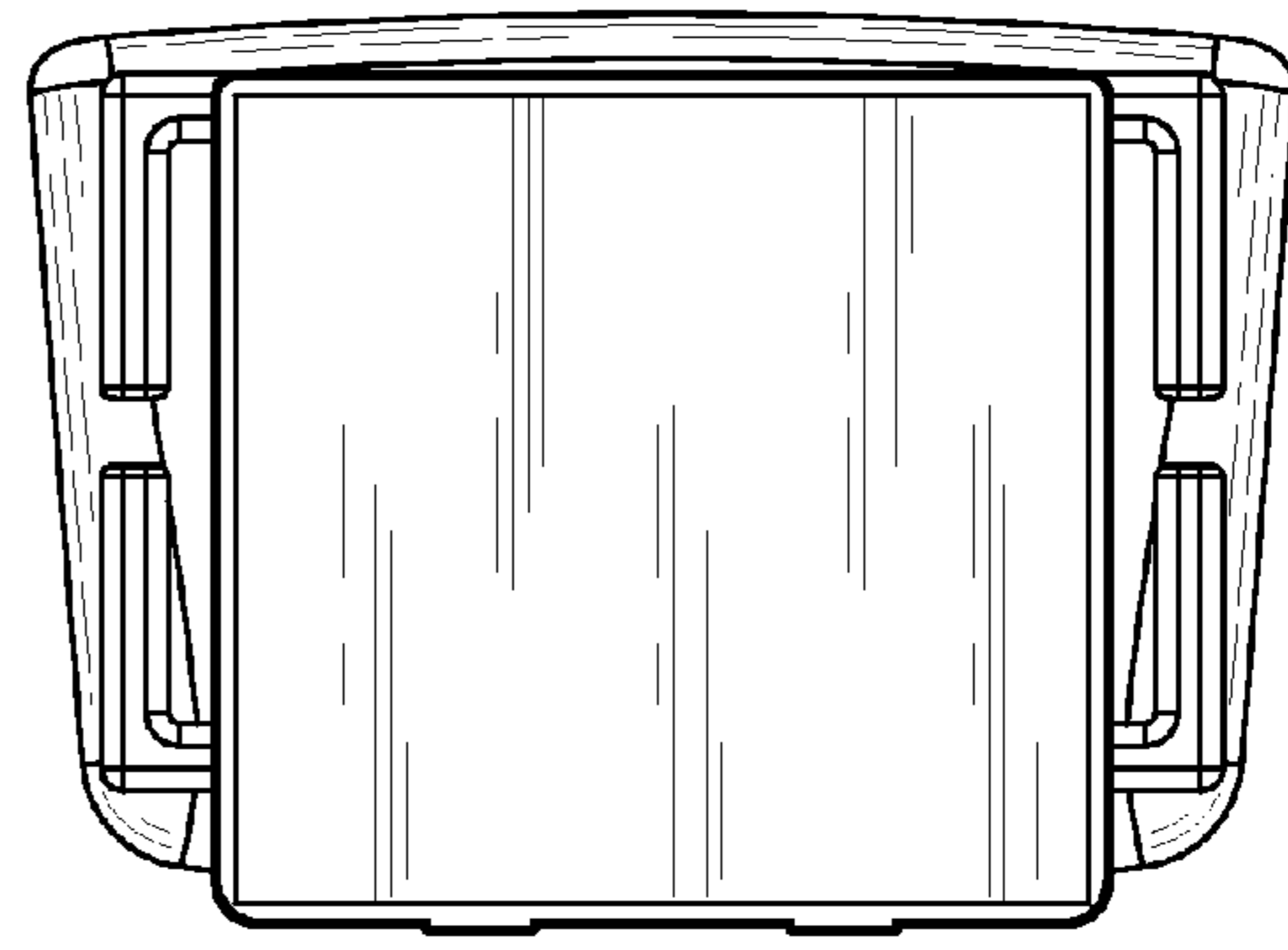


FIG. 2

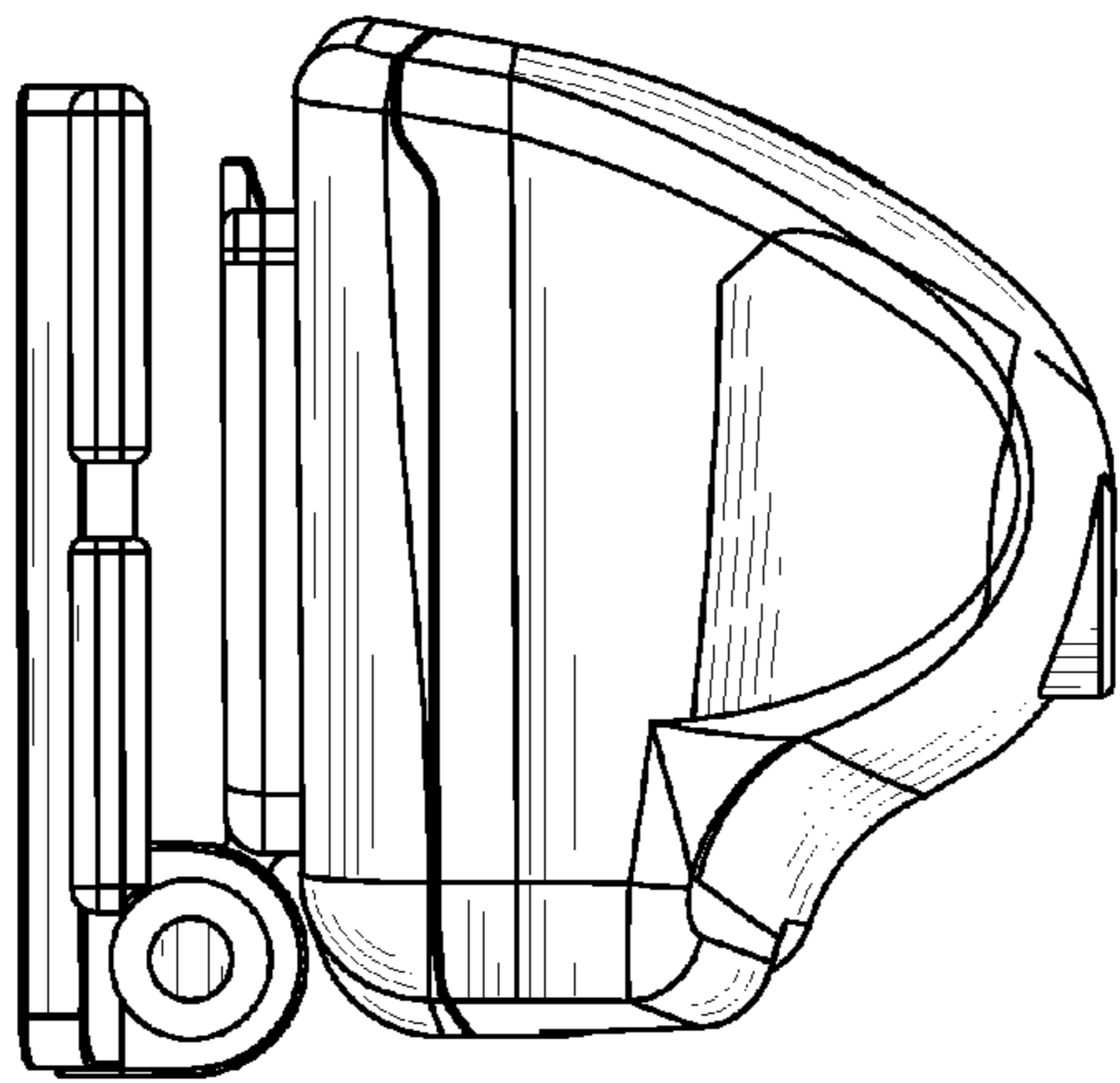


FIG. 3

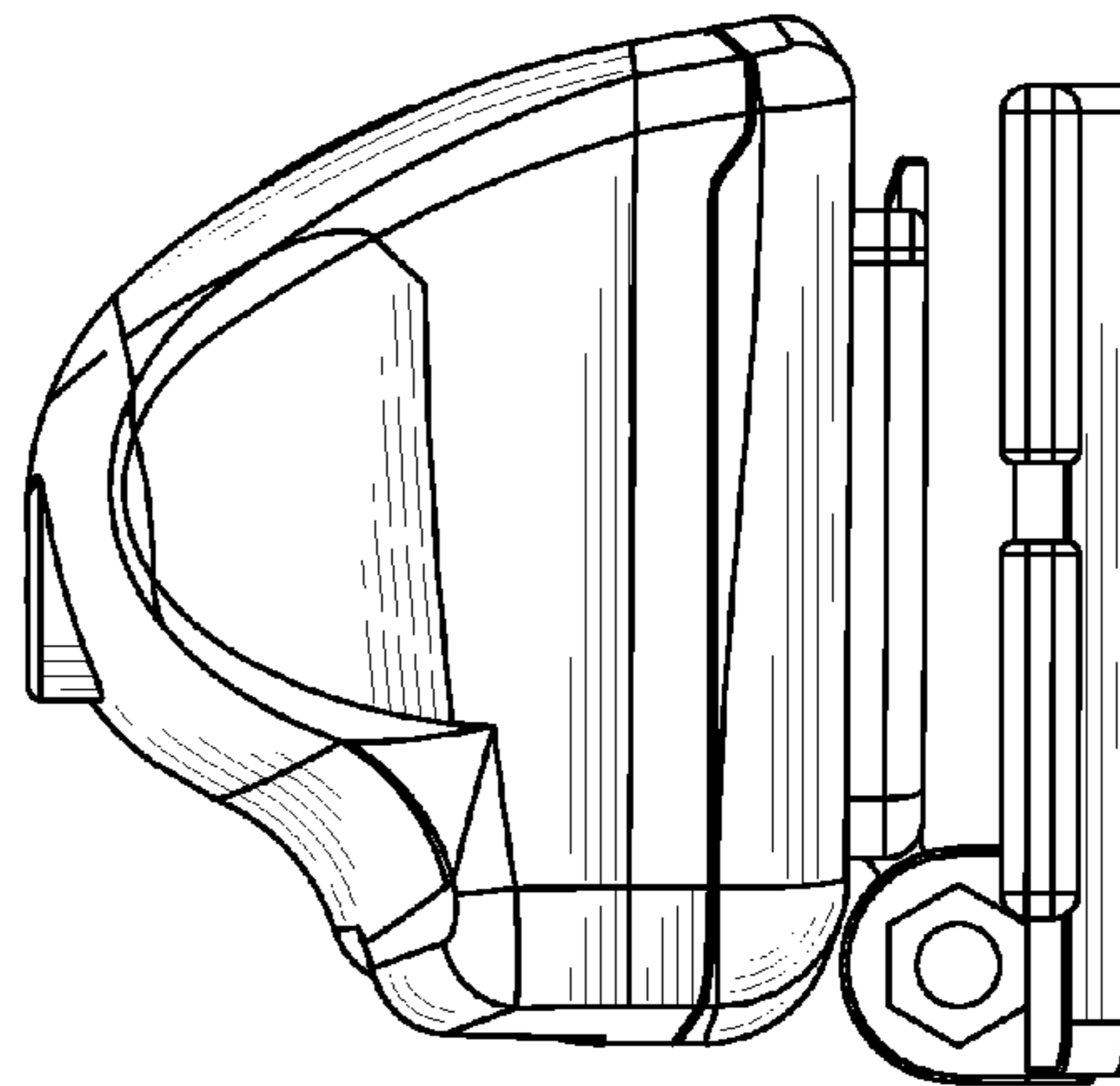


FIG. 4

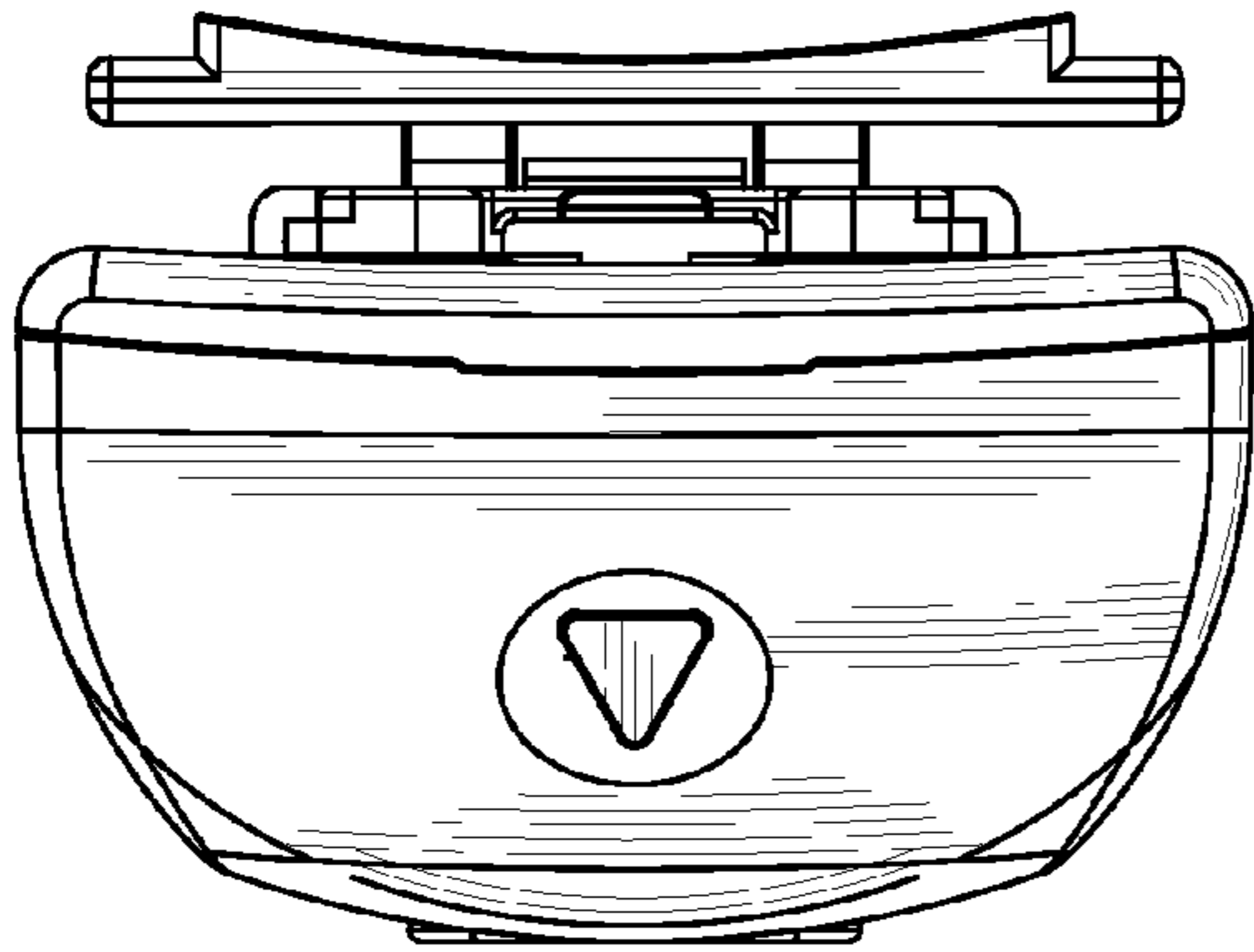


FIG. 5

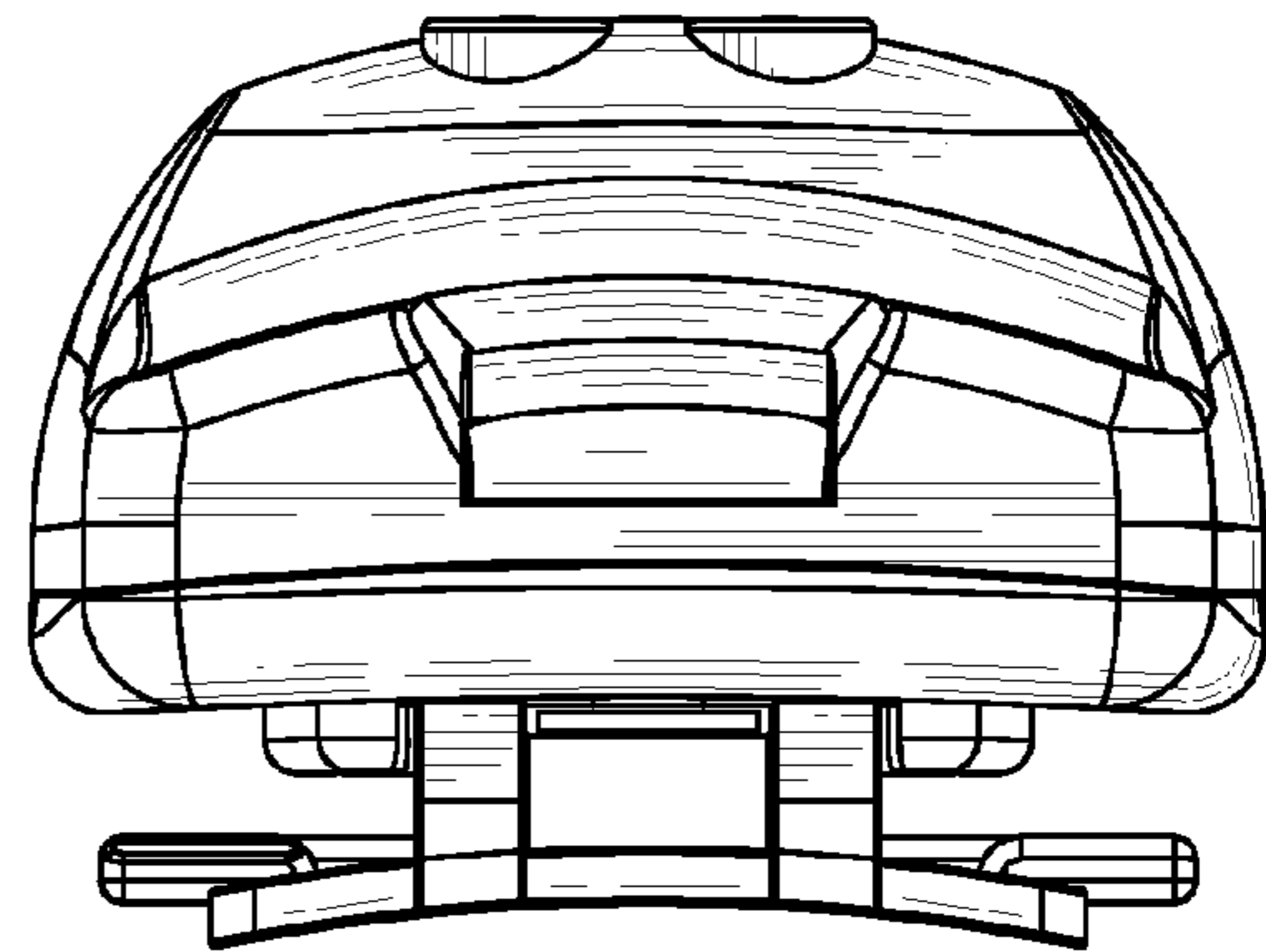


FIG. 6

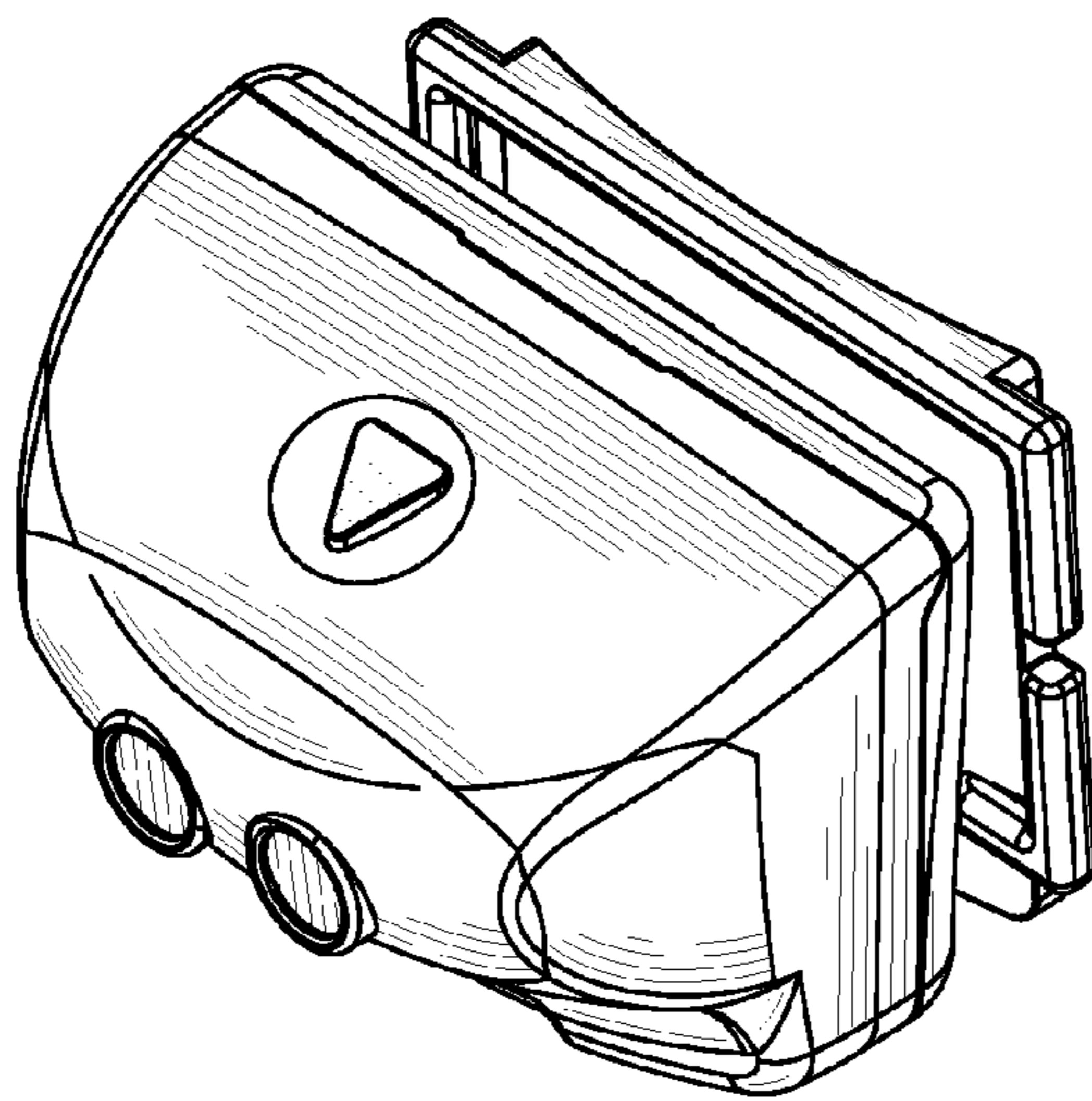


FIG. 7

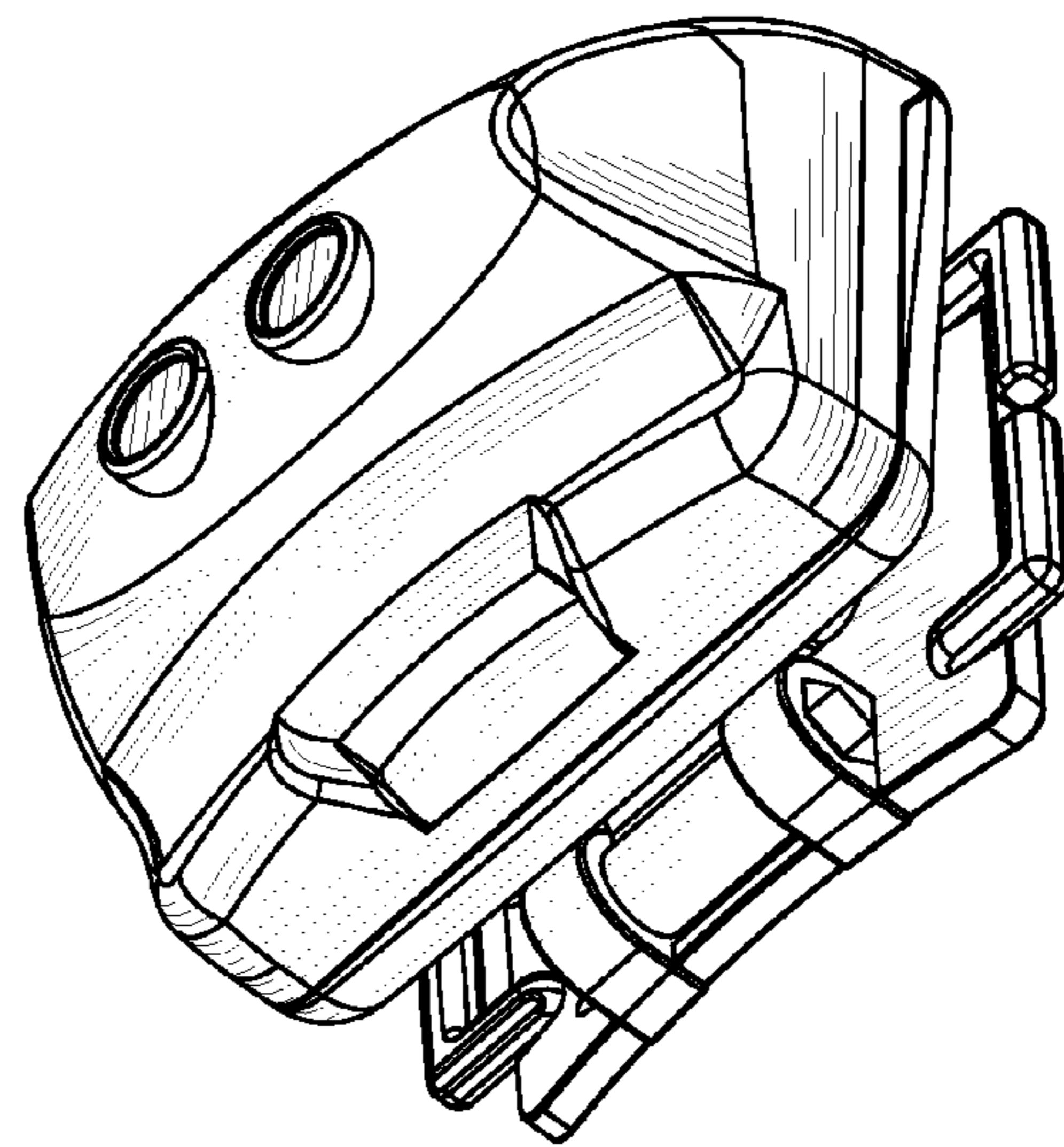
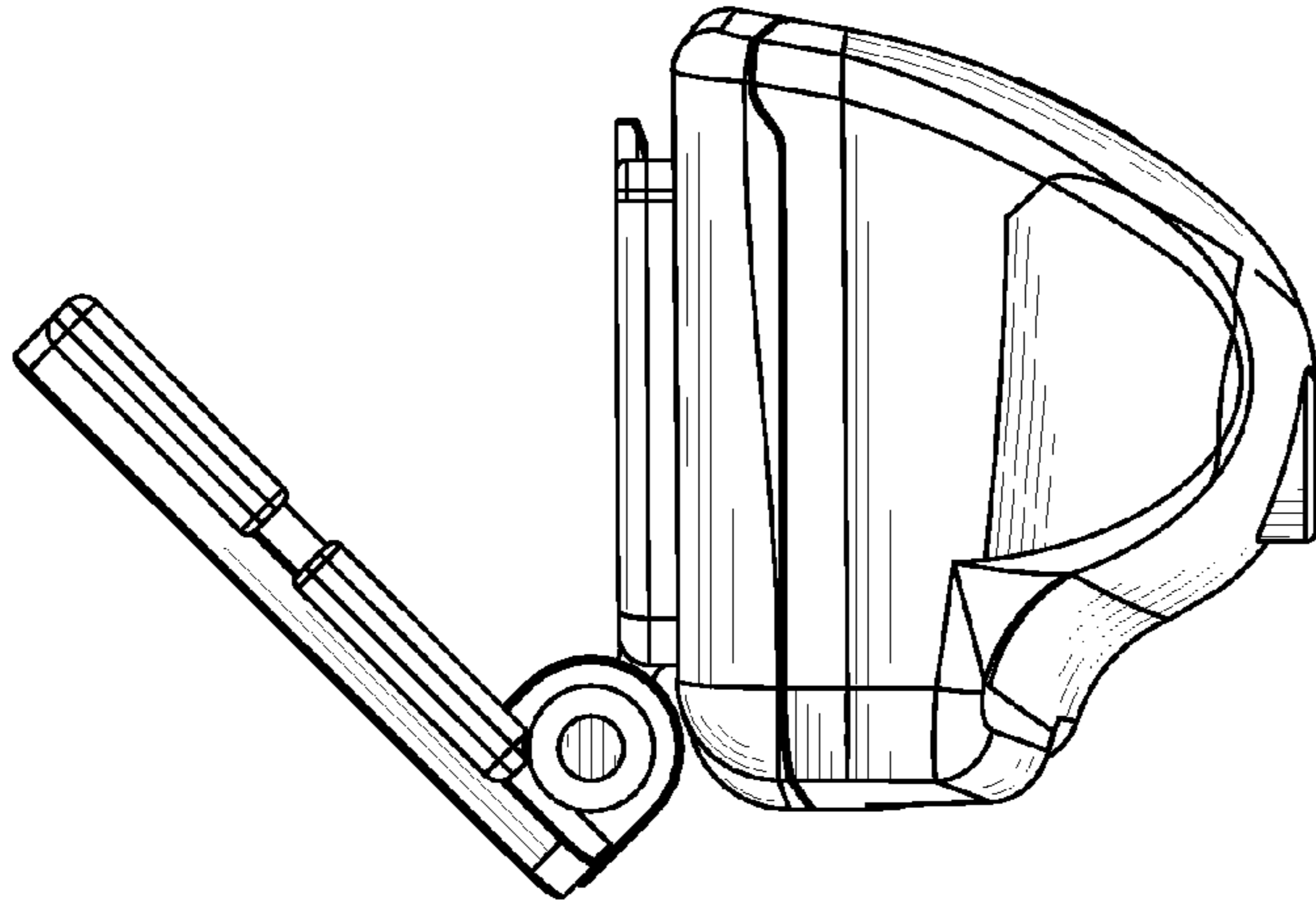
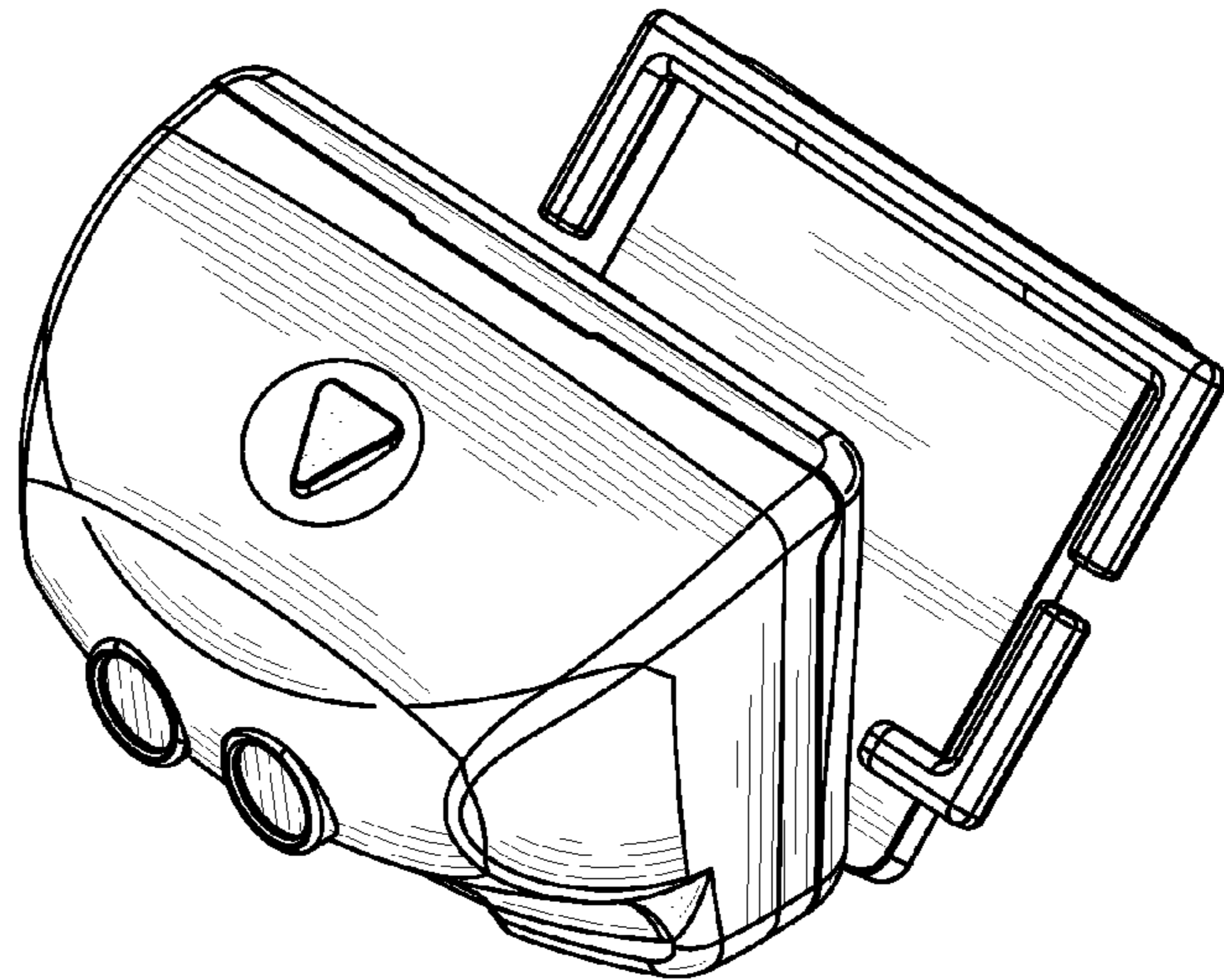


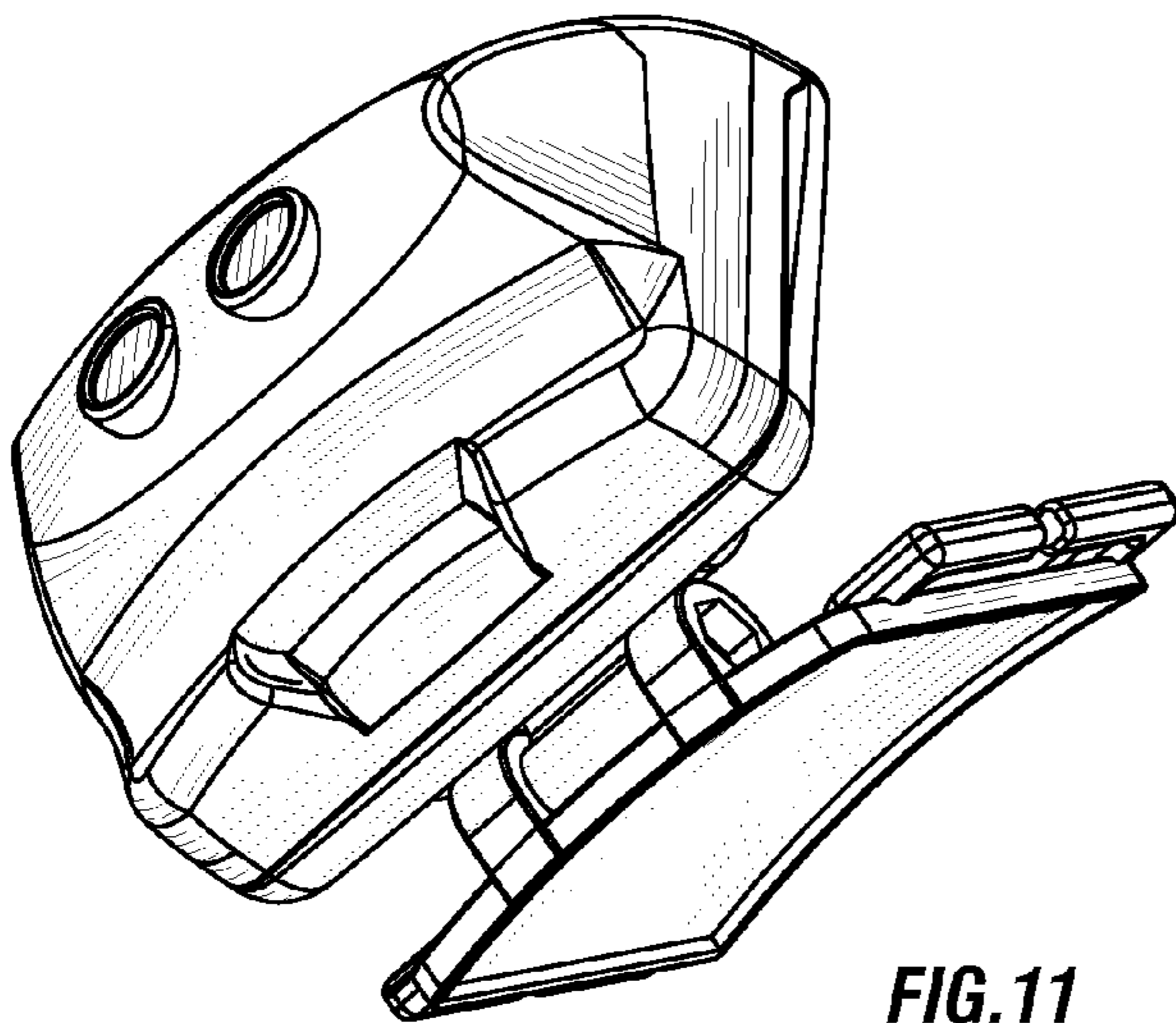
FIG. 8



**FIG. 9**



**FIG. 10**



**FIG. 11**