



US00D576327S

(12) **United States Design Patent**  
**Kingston et al.**

(10) **Patent No.:** **US D576,327 S**  
(45) **Date of Patent:** **\*\* Sep. 2, 2008**

(54) **LIGHTING DEVICE**

2007/0159810 A1 7/2007 Kim

(75) Inventors: **Ronald J. Kingston**, Syracuse, NY (US); **Scott W. Osiecki**, Skaneateles, NY (US); **David A. Spartano**, Brunswick, OH (US)

(73) Assignee: **Eveready Battery Company, Inc.**, St. Louis, MO (US)

(\*\*) Term: **14 Years**

(21) Appl. No.: **29/302,632**

(22) Filed: **Jan. 21, 2008**

(51) **LOC (8) Cl.** ..... **26-02**

(52) **U.S. Cl.** ..... **D26/39**

(58) **Field of Classification Search** ..... D26/37-50;  
362/157, 158, 171-174, 183-208

See application file for complete search history.

(56) **References Cited**

**U.S. PATENT DOCUMENTS**

5,658,065	A	8/1997	Jamieson	
6,206,543	B1	3/2001	Henry	
6,449,893	B2	9/2002	Spinner	
6,979,099	B2	12/2005	Harris, Jr. et al.	
D541,965	S *	5/2007	Shiu	D26/60
D548,385	S *	8/2007	Sharrah et al.	D26/60
D554,783	S *	11/2007	Shiu	D26/39
2007/0159809	A1	7/2007	Kim et al.	

**OTHER PUBLICATIONS**

SureFire Helmet Light HL 1-A-TN, www.surefire.com, 2 pages, © SureFire, LLC 2001-2008.

Back Trails Safety Light Pack, www.ebay.com, and photographs of light and mount, 5 pages.

Streamlight® Sidewinder® Tactical LED Flashlight, www.streamlight-flashlights.com, 1 page, © Streamlight 2008.

\* cited by examiner

*Primary Examiner*—Marcus A. Jackson

(74) *Attorney, Agent, or Firm*—Gregory J. Adams

(57) **CLAIM**

We claim the ornamental design for a lighting device, as shown and described.

**DESCRIPTION**

FIG. 1 is a front perspective view of a lighting device, showing our new design;

FIG. 2 is a front view thereof;

FIG. 3 is a left side view thereof;

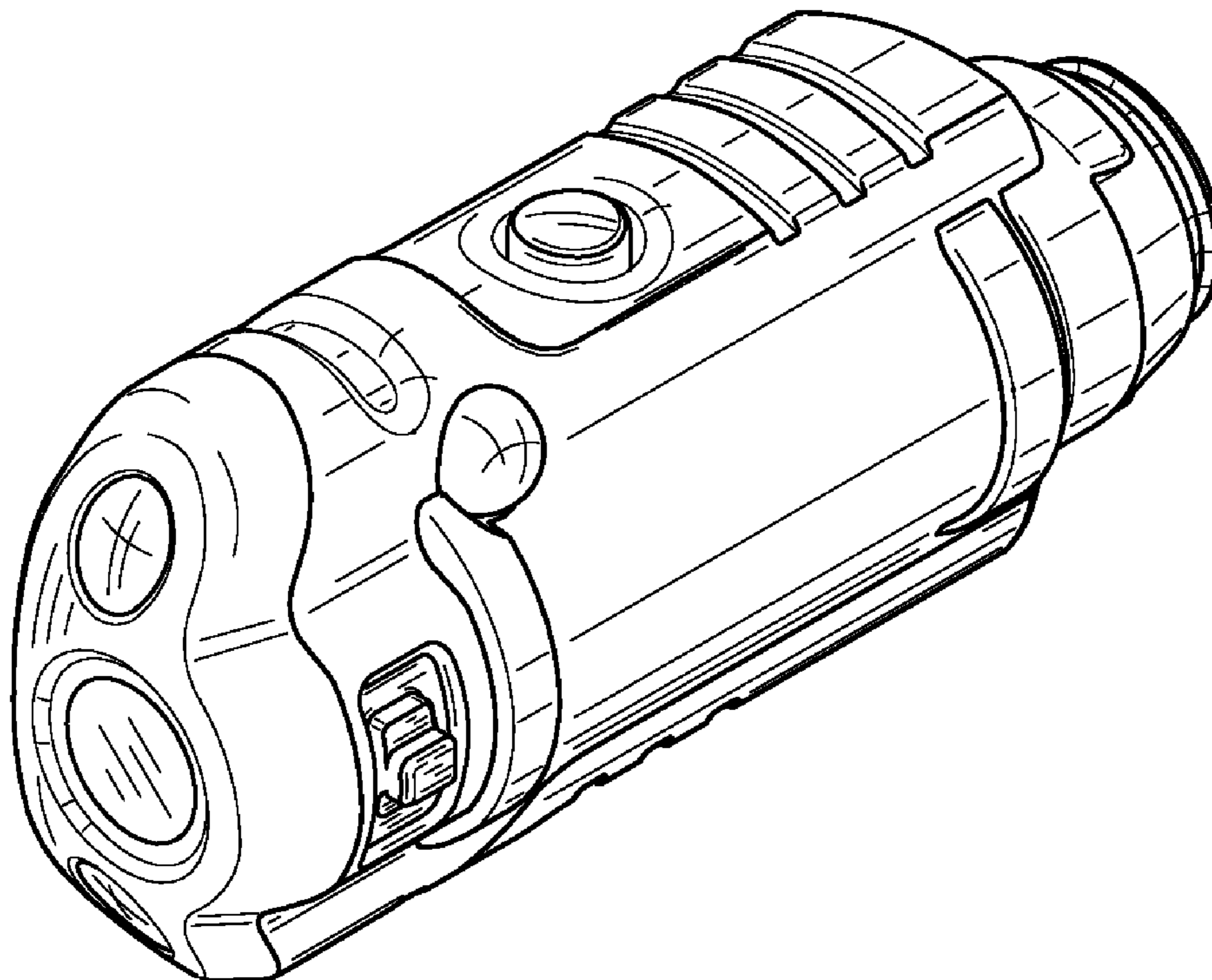
FIG. 4 is a rear view thereof;

FIG. 5 is a right side view thereof;

FIG. 6 is a top view thereof; and,

FIG. 7 is a bottom view thereof.

**1 Claim, 3 Drawing Sheets**



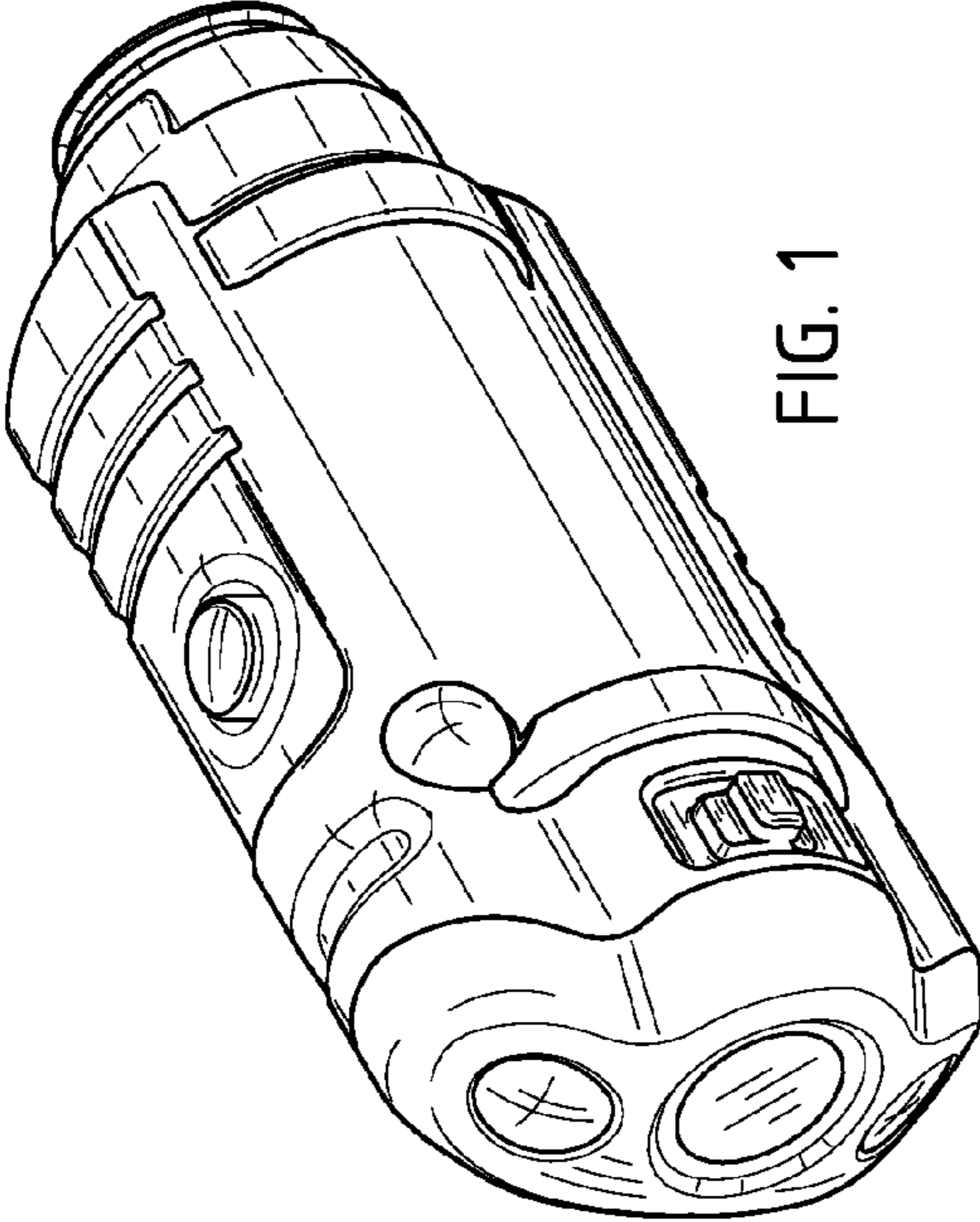


FIG. 1

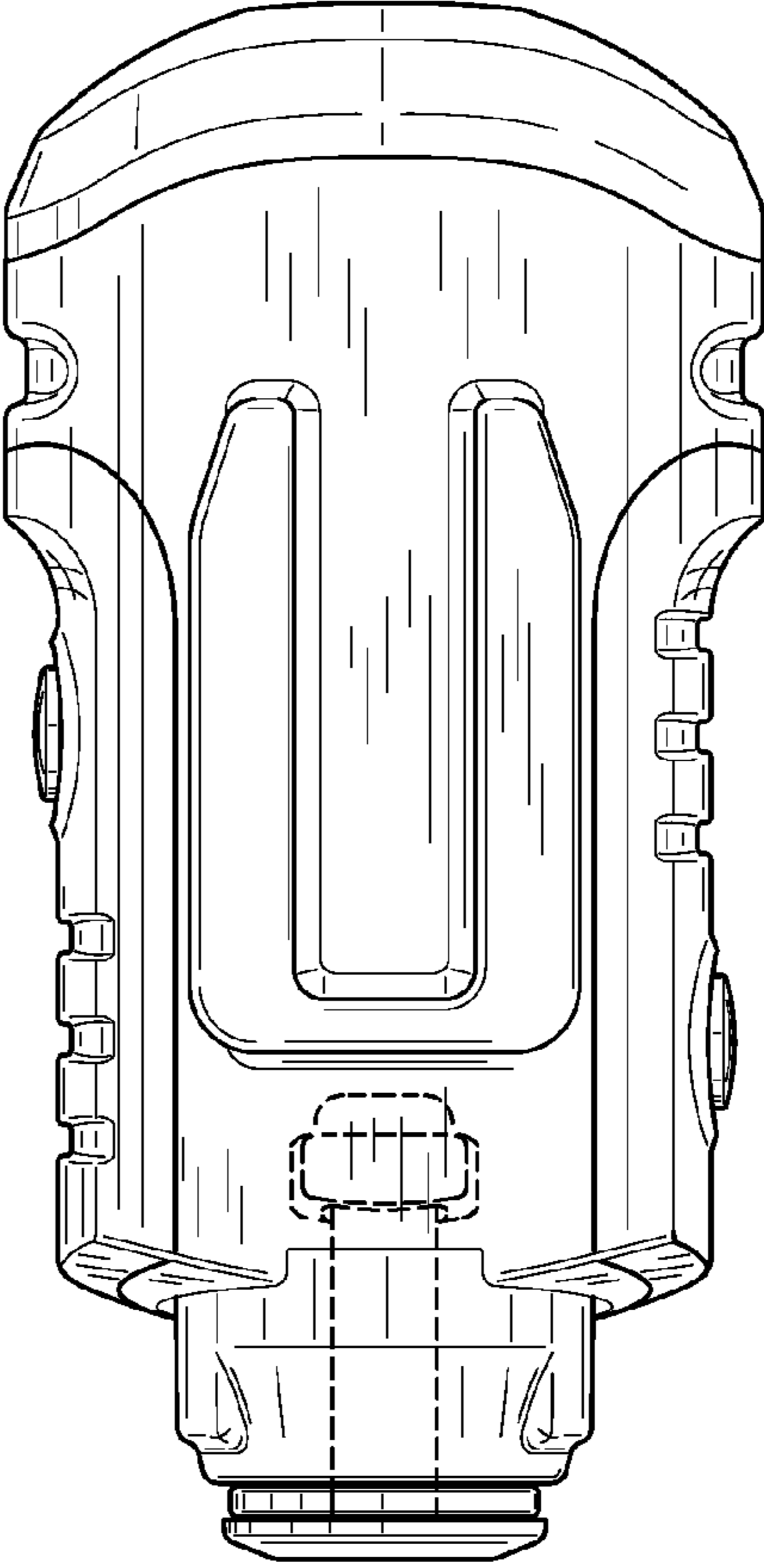


FIG. 3

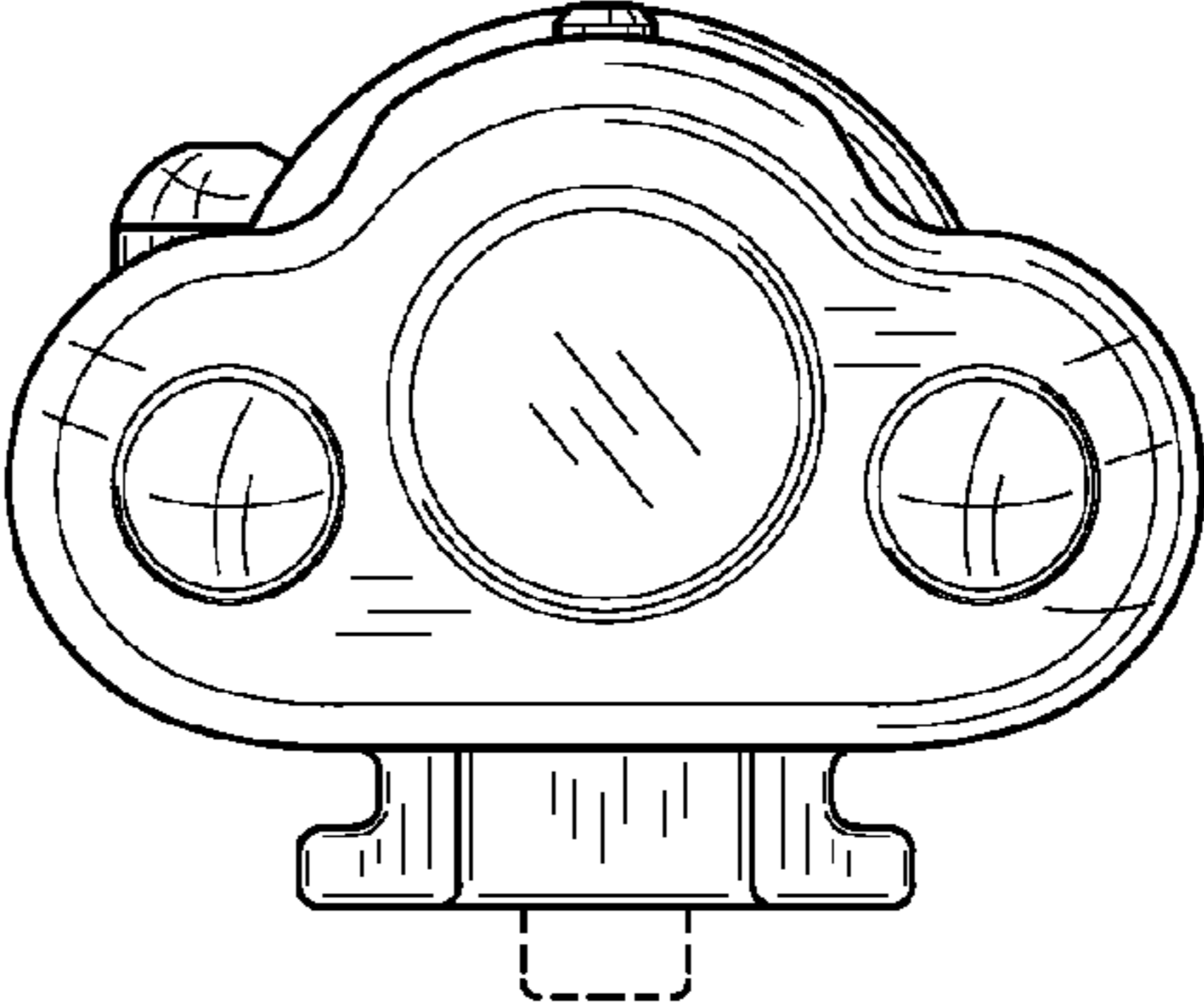


FIG. 2

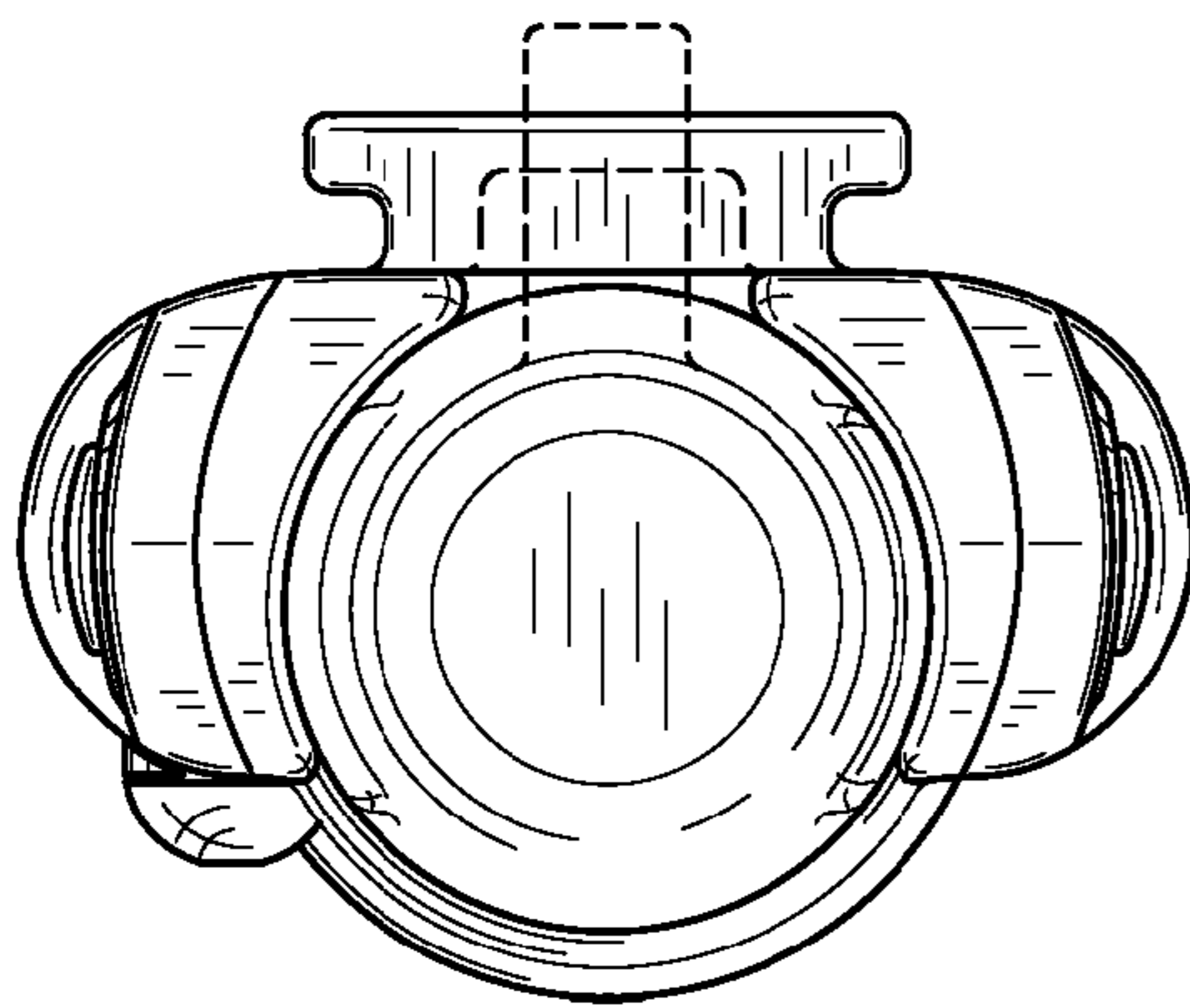


FIG. 4

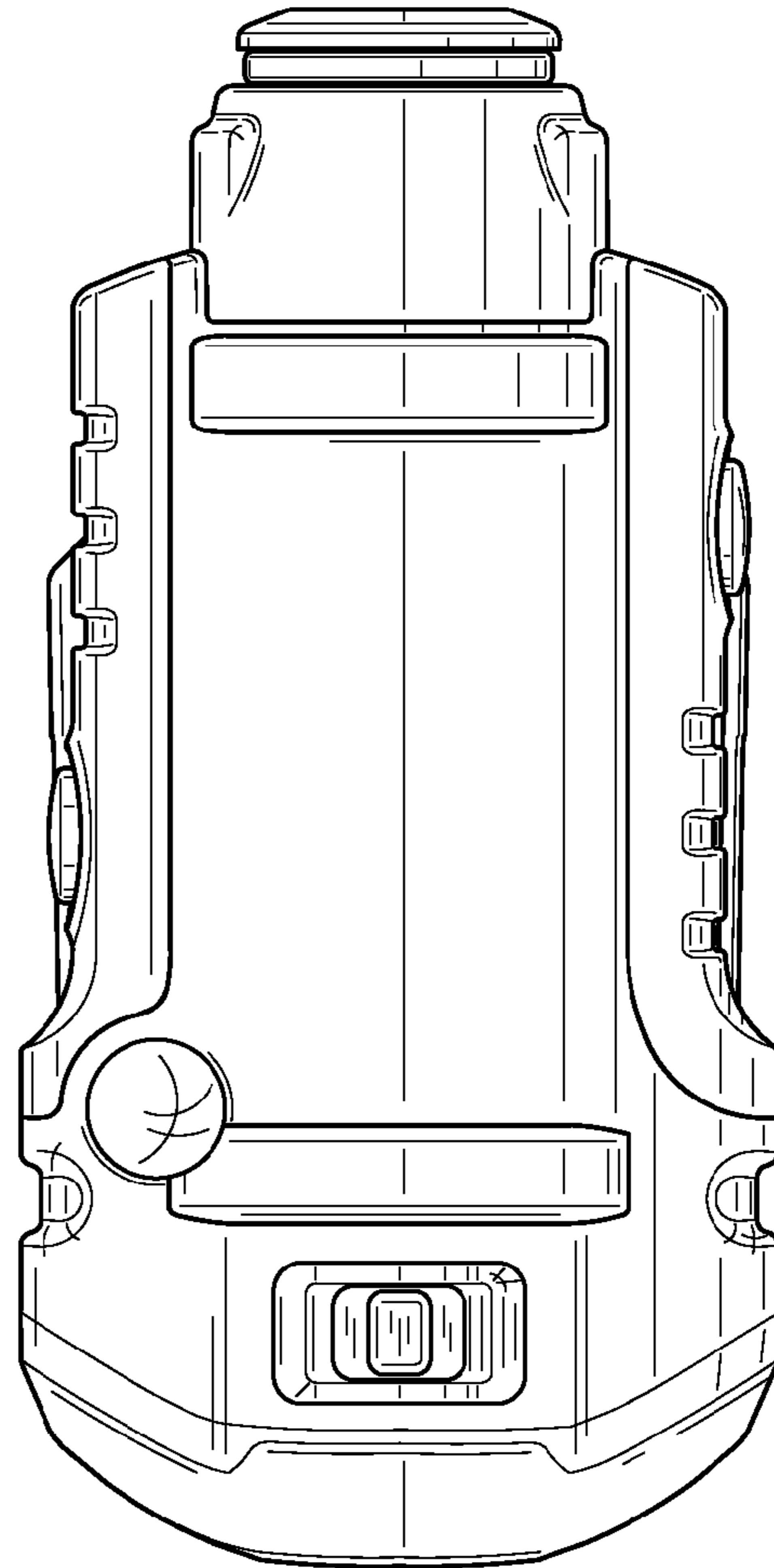


FIG. 5

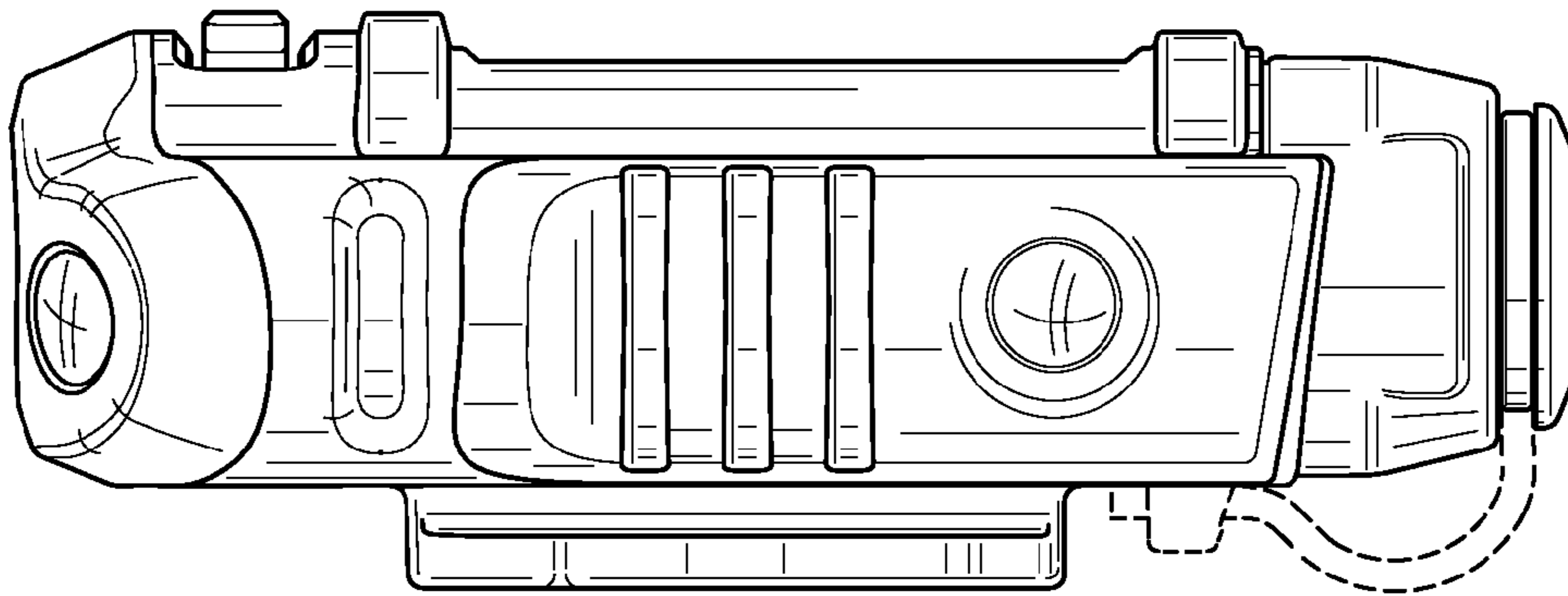


FIG. 7

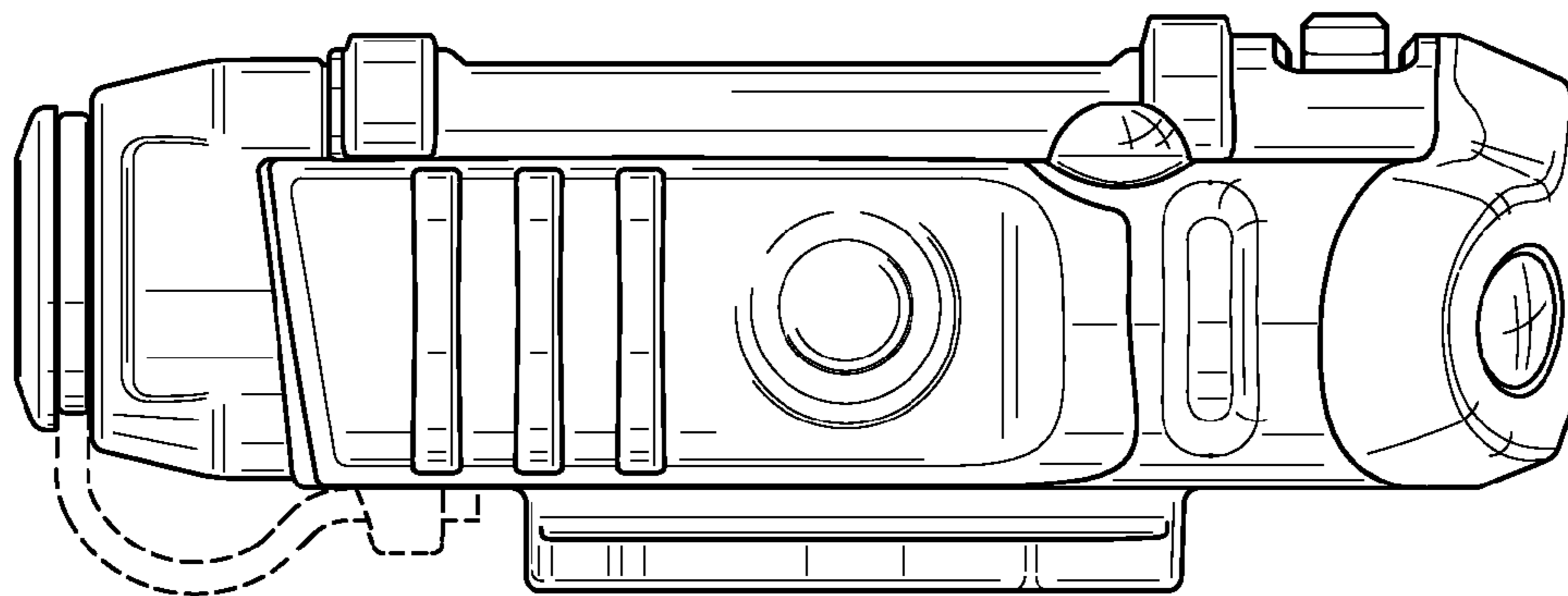


FIG. 6