



US00D576326S

(12) **United States Design Patent**
Lee

(10) **Patent No.:** **US D576,326 S**
(45) **Date of Patent:** **** Sep. 2, 2008**

(54) **HAT LIGHT**

D566,311 S * 4/2008 Schnell D26/39

(76) Inventor: **Wen-Sung Lee**, No.72, Chaoguei Rd.,
Situn District, Taichung City 407 (TW)

* cited by examiner

Primary Examiner—Marcus A. Jackson
(74) *Attorney, Agent, or Firm*—Banger Shia

(**) Term: **14 Years**

(21) Appl. No.: **29/302,598**

(57) **CLAIM**

(22) Filed: **Jan. 19, 2008**

I claim the ornamental design for a hat light, as shown and described.

(51) **LOC (8) Cl.** **26-02**

DESCRIPTION

(52) **U.S. Cl.** **D26/39**

(58) **Field of Classification Search** D26/37-50;
362/157, 158, 171-174, 183-208

FIG. 1 is a perspective view of a hat light, showing my new design;

See application file for complete search history.

FIG. 2 is a front elevational view thereof;

FIG. 3 is a rear elevational view thereof;

(56) **References Cited**

U.S. PATENT DOCUMENTS

D507,065 S * 7/2005 Son D26/39

D541,452 S * 4/2007 Schnell D26/39

D544,121 S * 6/2007 Yang D26/39

D564,685 S * 3/2008 Schnell D26/39

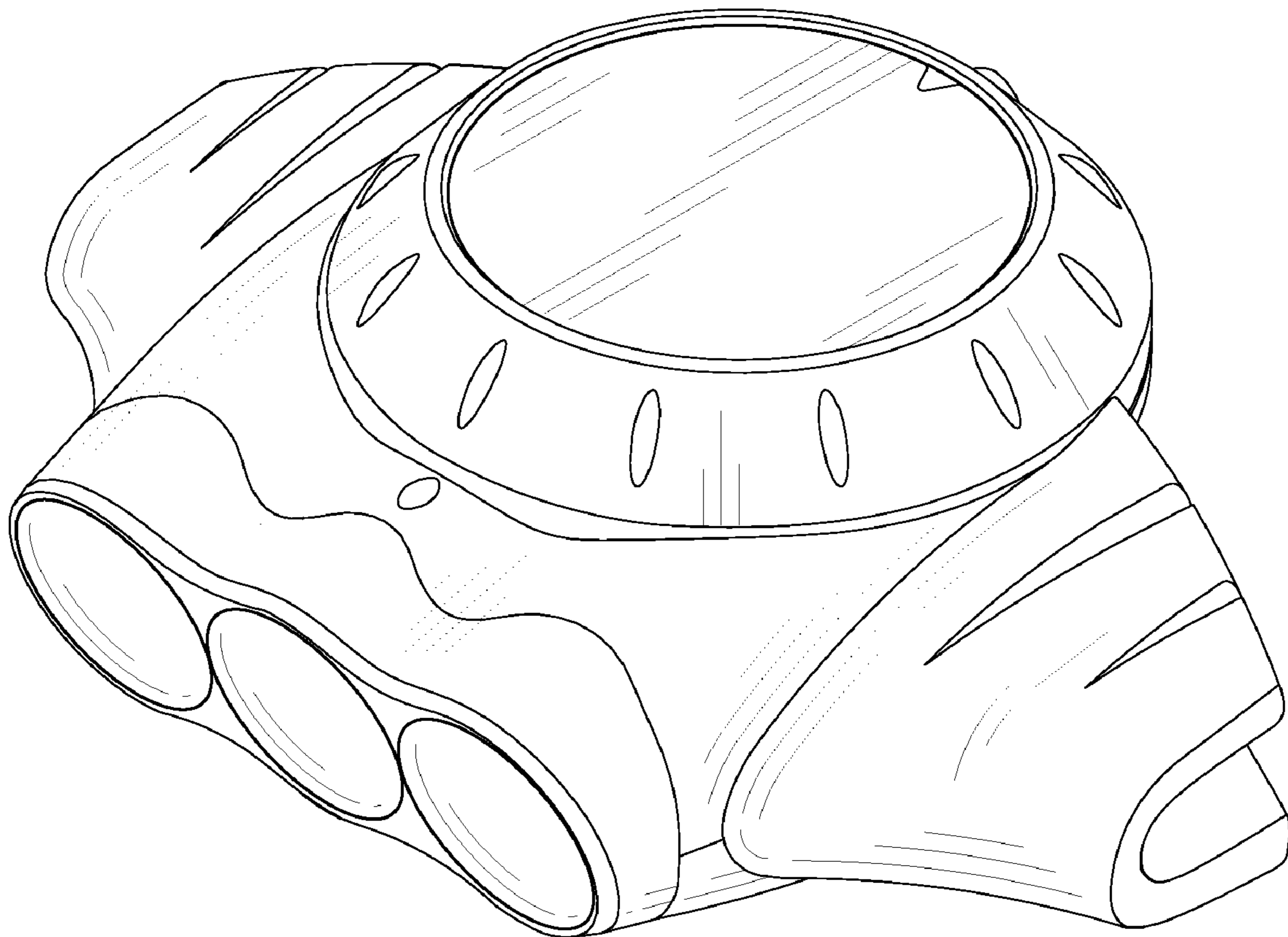
FIG. 4 is a left side elevational view thereof;

FIG. 5 is a right side elevational view thereof;

FIG. 6 is a top plan view thereof; and,

FIG. 7 is a bottom plan view thereof.

1 Claim, 4 Drawing Sheets



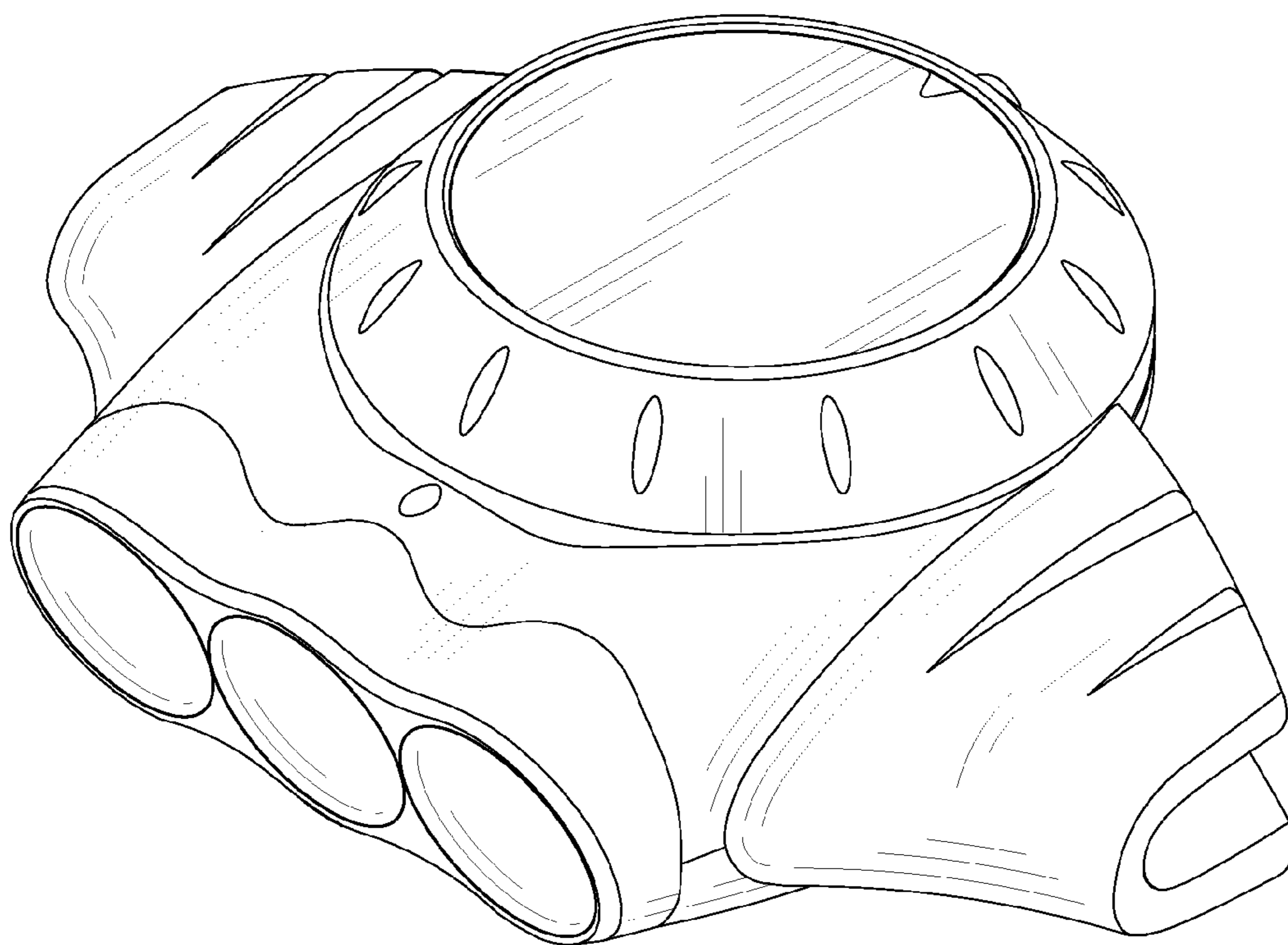


FIG. 1

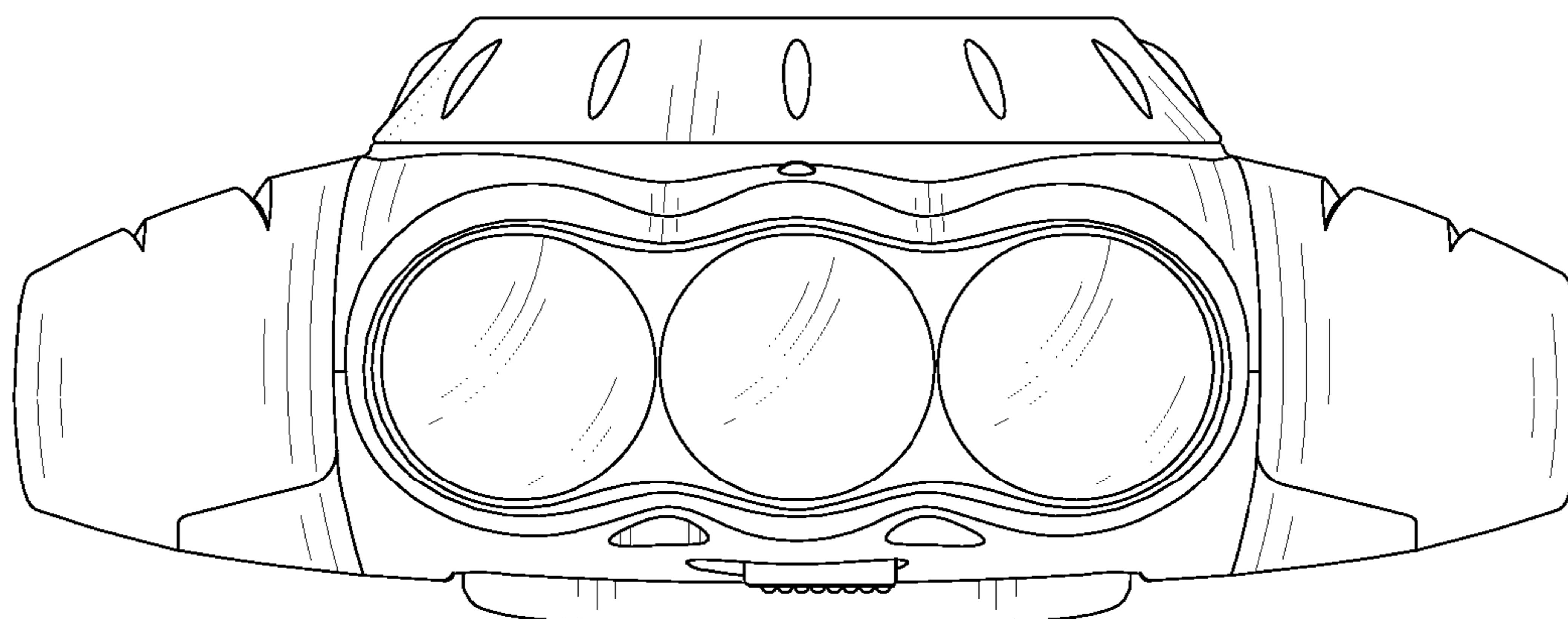


FIG. 2

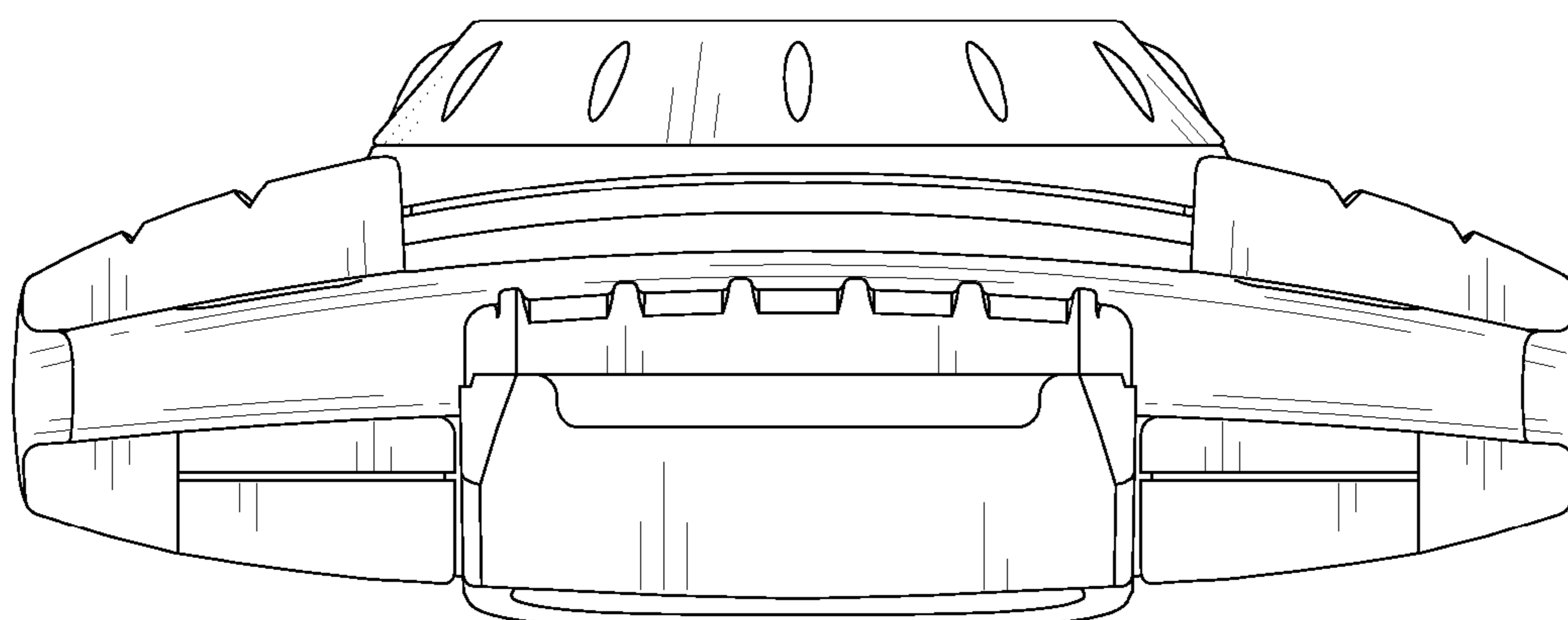


FIG. 3

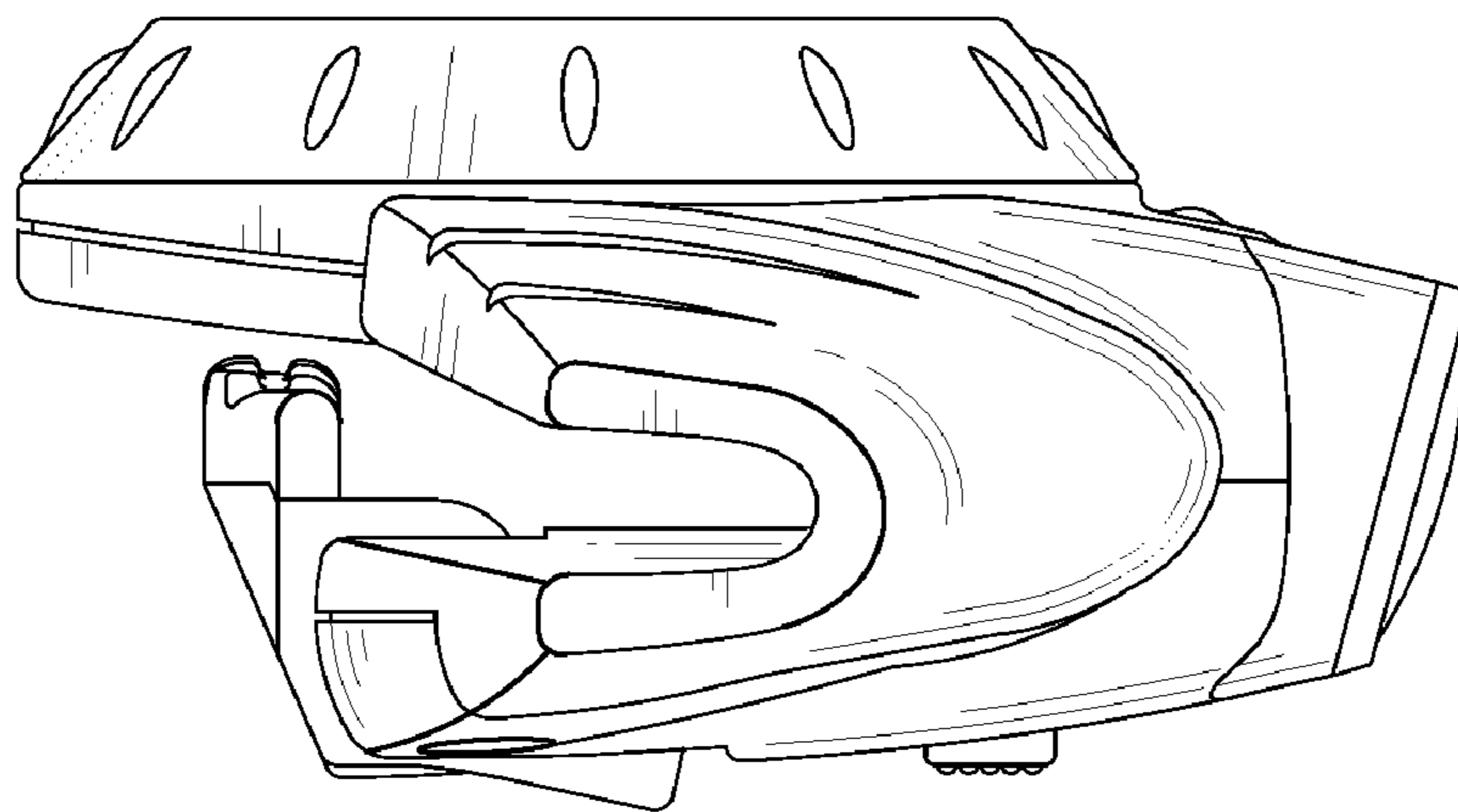


FIG. 4

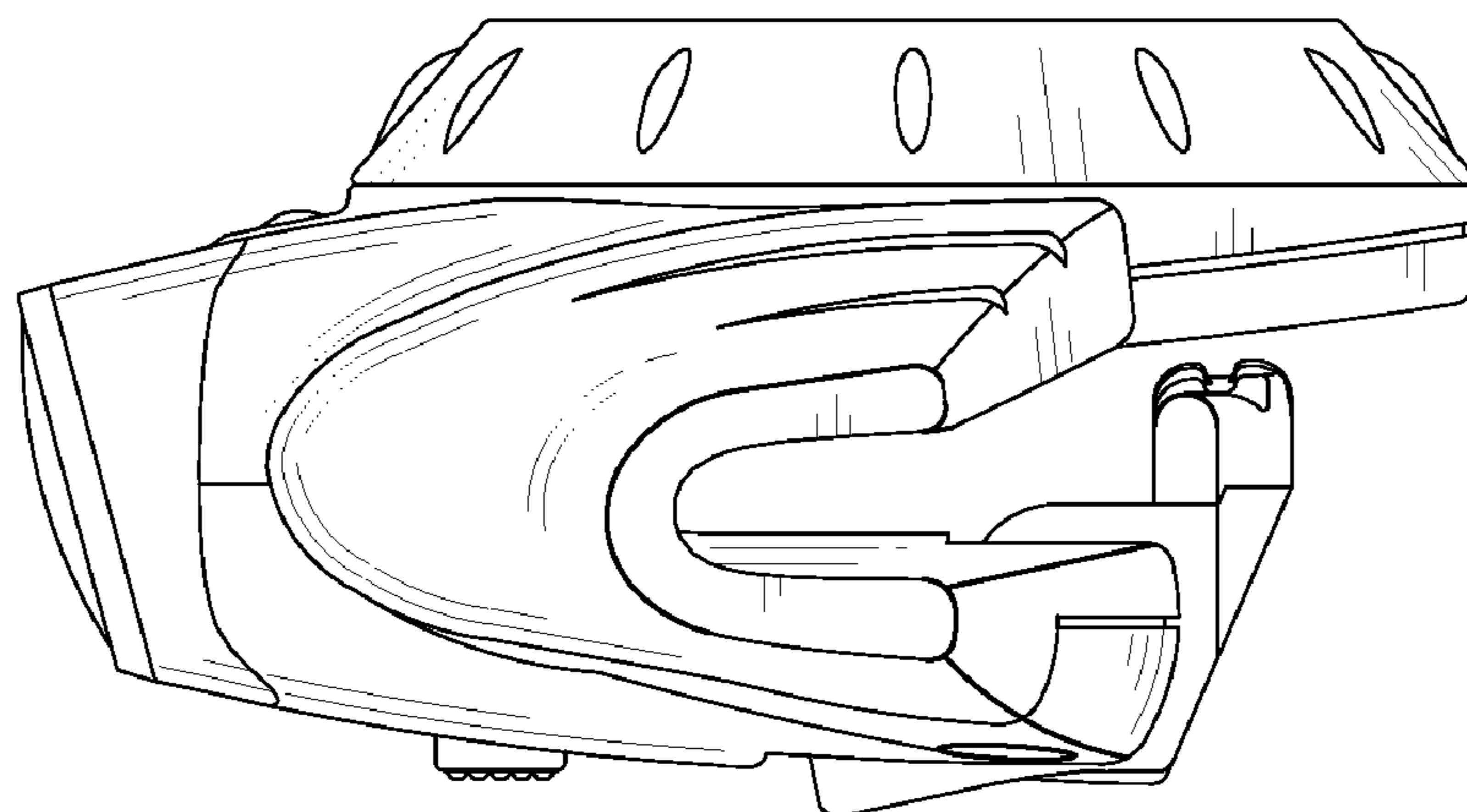


FIG. 5

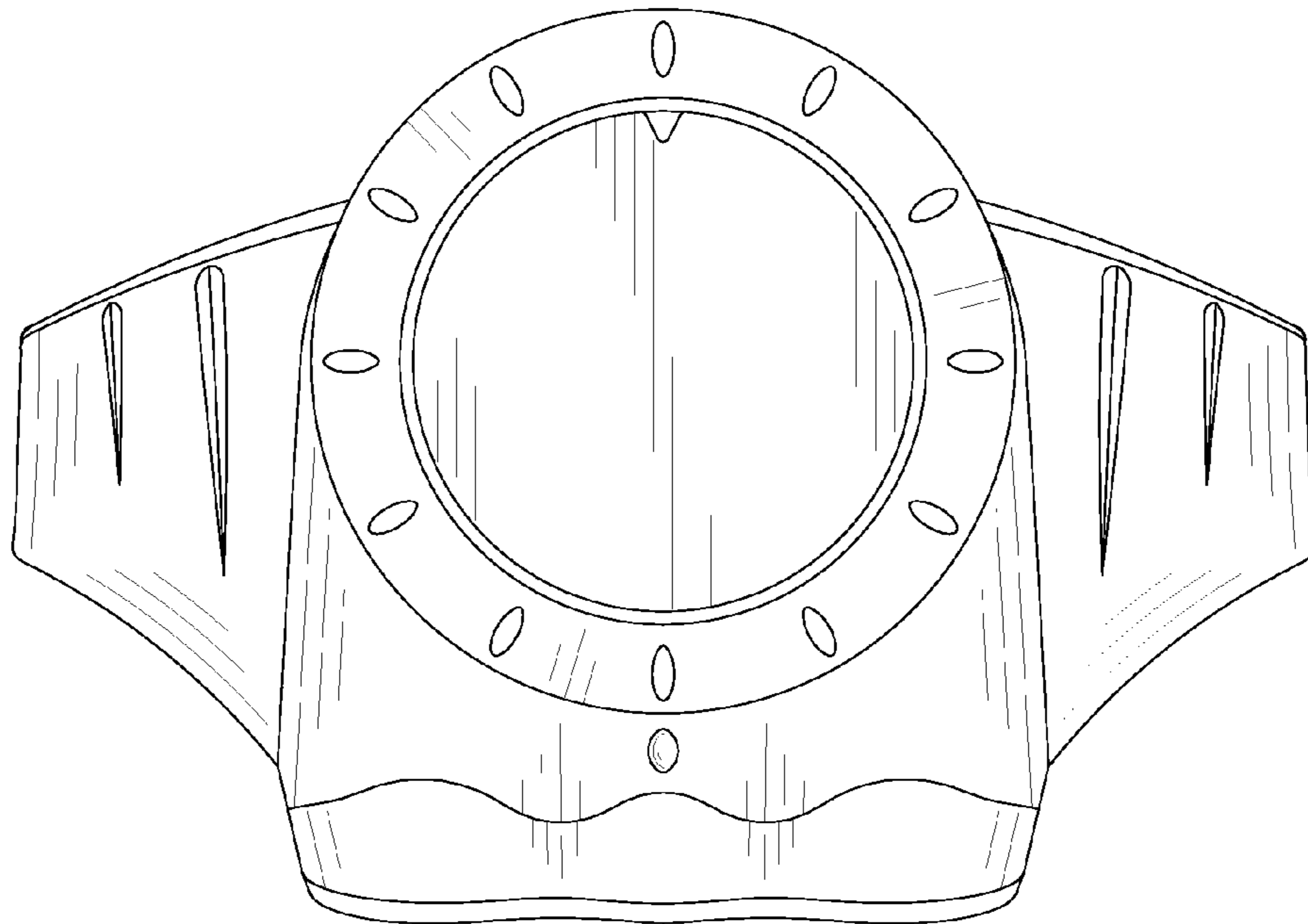


FIG. 6

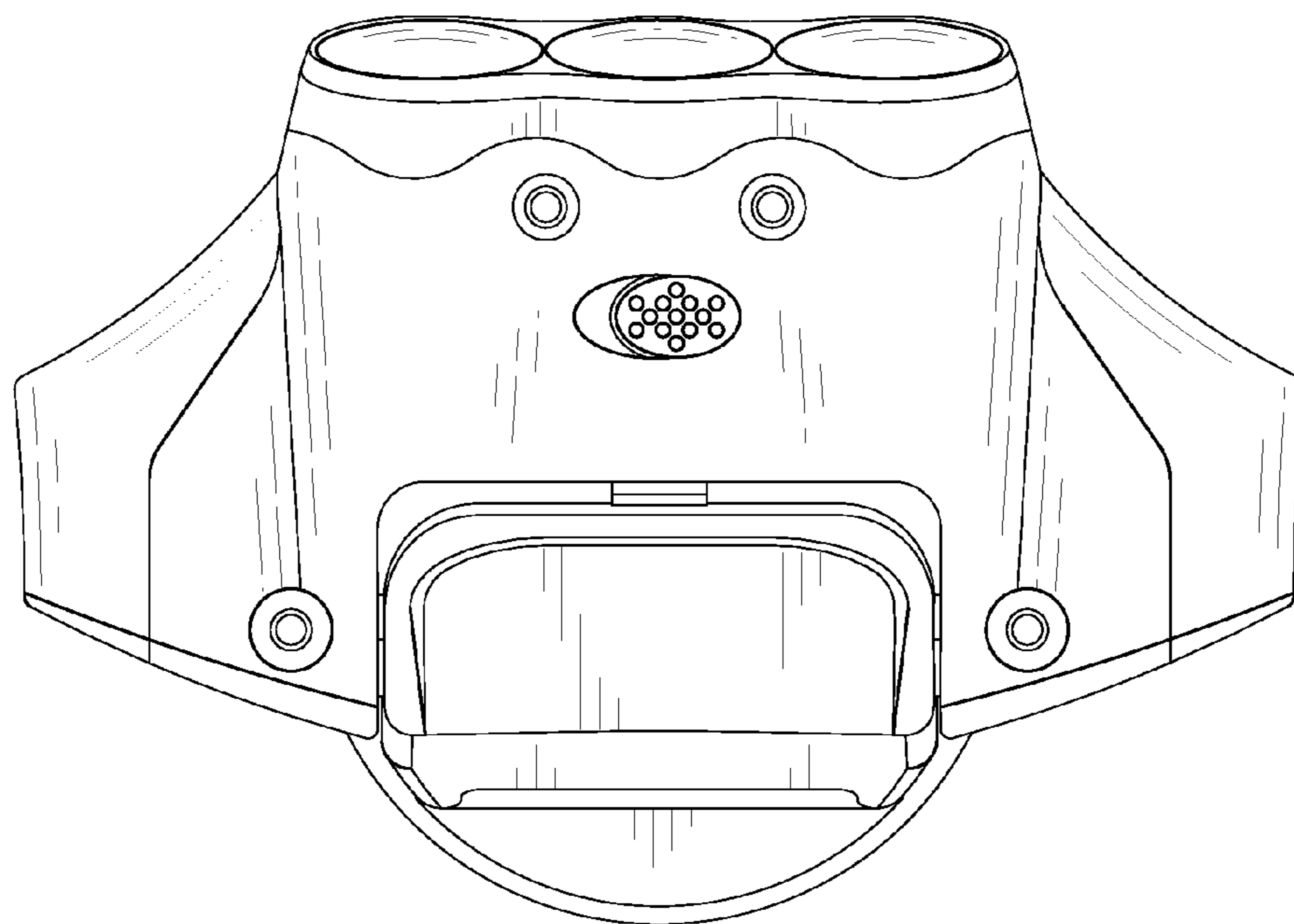


FIG. 7