



US00D576325S

(12) **United States Design Patent**  
**Kim et al.**

(10) **Patent No.:** **US D576,325 S**  
(45) **Date of Patent:** **\*\* Sep. 2, 2008**

(54) **HEAD LIGHT**

D560,008 S \* 1/2008 Poon ..... D26/39  
D568,509 S \* 5/2008 Shiu ..... D26/39  
D568,510 S \* 5/2008 Shiu ..... D26/39

(75) Inventors: **Jin-Ho Kim**, Seoul (KR); **Sang-Cheon Jeon**, Yongin-si (KR); **Shung-Hoon Hwang**, Seoul (KR)

\* cited by examiner

(73) Assignee: **Sekonix Co. Ltd**, Gyeonggi-do (KR)

*Primary Examiner*—Ian Simmons  
*Assistant Examiner*—Dana L Sipos

(\*\*) Term: **14 Years**

(74) *Attorney, Agent, or Firm*—Mark M. Friedman

(21) Appl. No.: **29/287,857**

(57) **CLAIM**

(22) Filed: **Sep. 27, 2007**

I hereby claim the design for the head light, as illustrated in our FIGS. 1–7, as shown and described above.

(30) **Foreign Application Priority Data**

Jul. 18, 2007 (KR) ..... 30-2007-0031073

**DESCRIPTION**

(51) **LOC (8) Cl.** ..... **26-02**

FIG. 1 is a top, front, right side perspective view of a head lamp showing the present invention;

(52) **U.S. Cl.** ..... **D26/39**

FIG. 2 is a front elevation view thereof;

(58) **Field of Classification Search** ..... D26/24,

FIG. 3 is a rear elevation view thereof;

D26/28, 37, 39; 362/450, 465, 487, 507,  
362/540–541, 103, 105–106, 157, 570

FIG. 4 is a left side elevation view thereof;

See application file for complete search history.

FIG. 5 is a right side elevation view thereof;

(56) **References Cited**

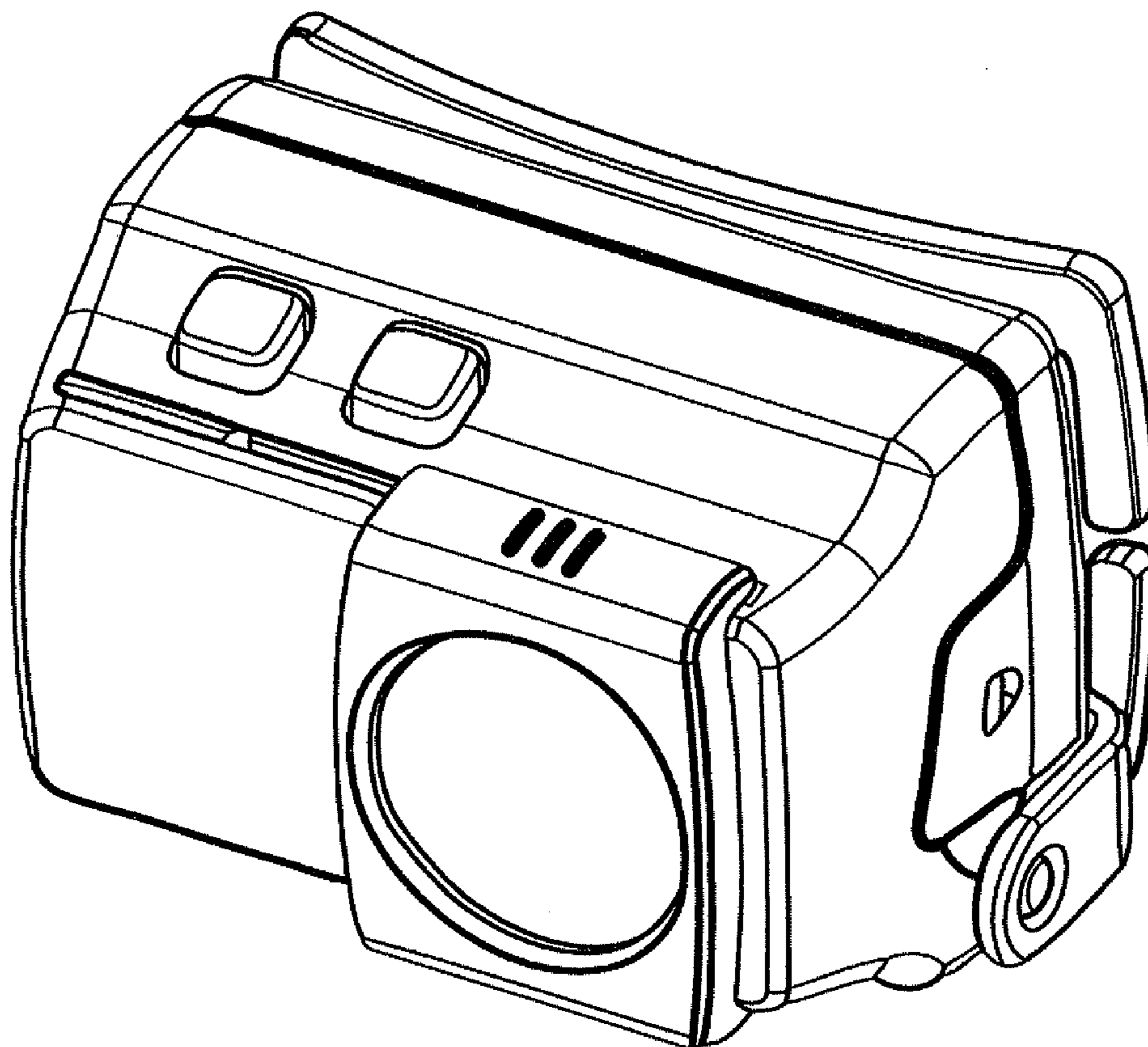
FIG. 6 is a top plan view thereof; and,

**U.S. PATENT DOCUMENTS**

FIG. 7 is a bottom plan view thereof.

D527,127 S \* 8/2006 Petzl ..... D26/39

**1 Claim, 7 Drawing Sheets**



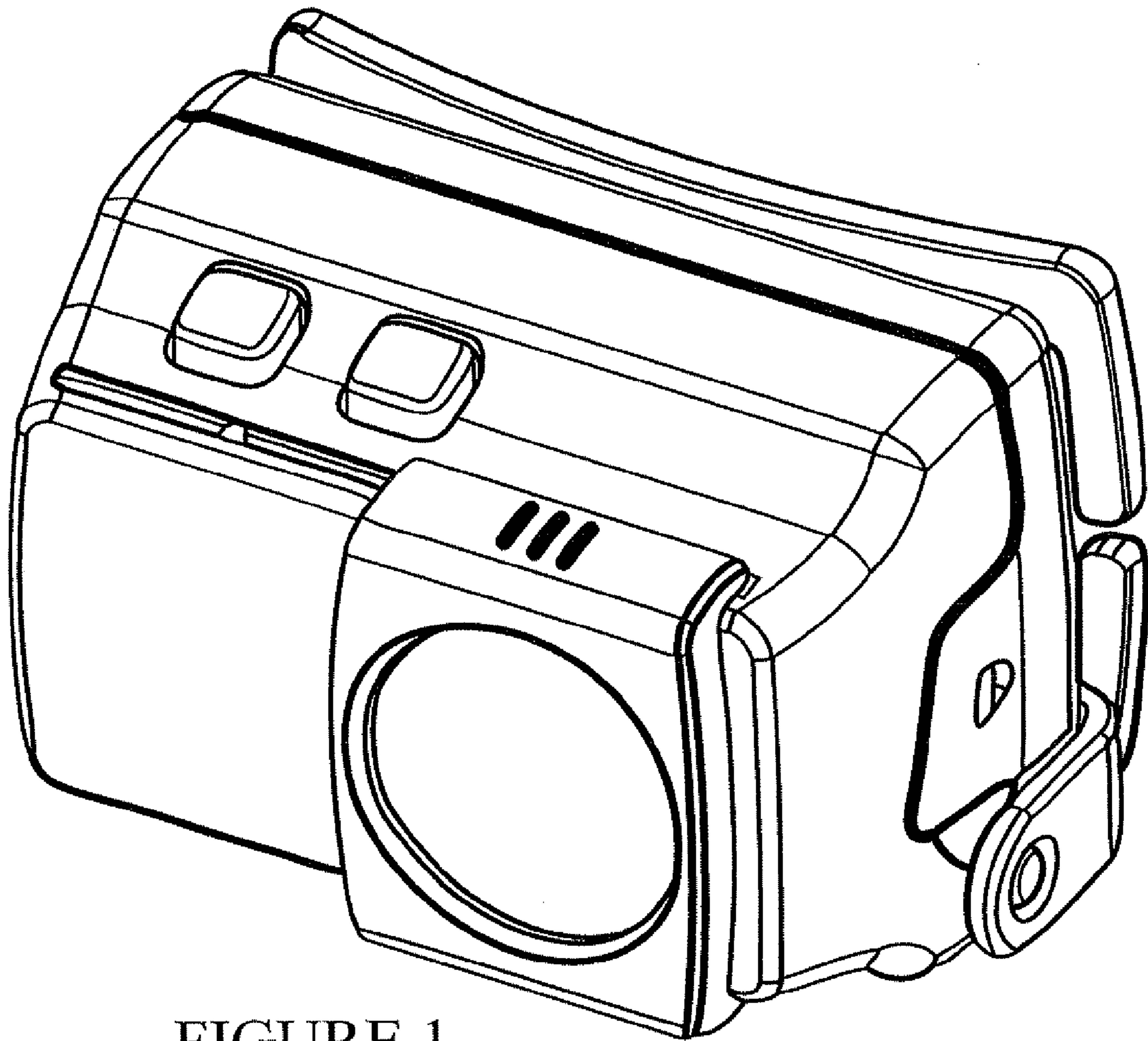


FIGURE 1

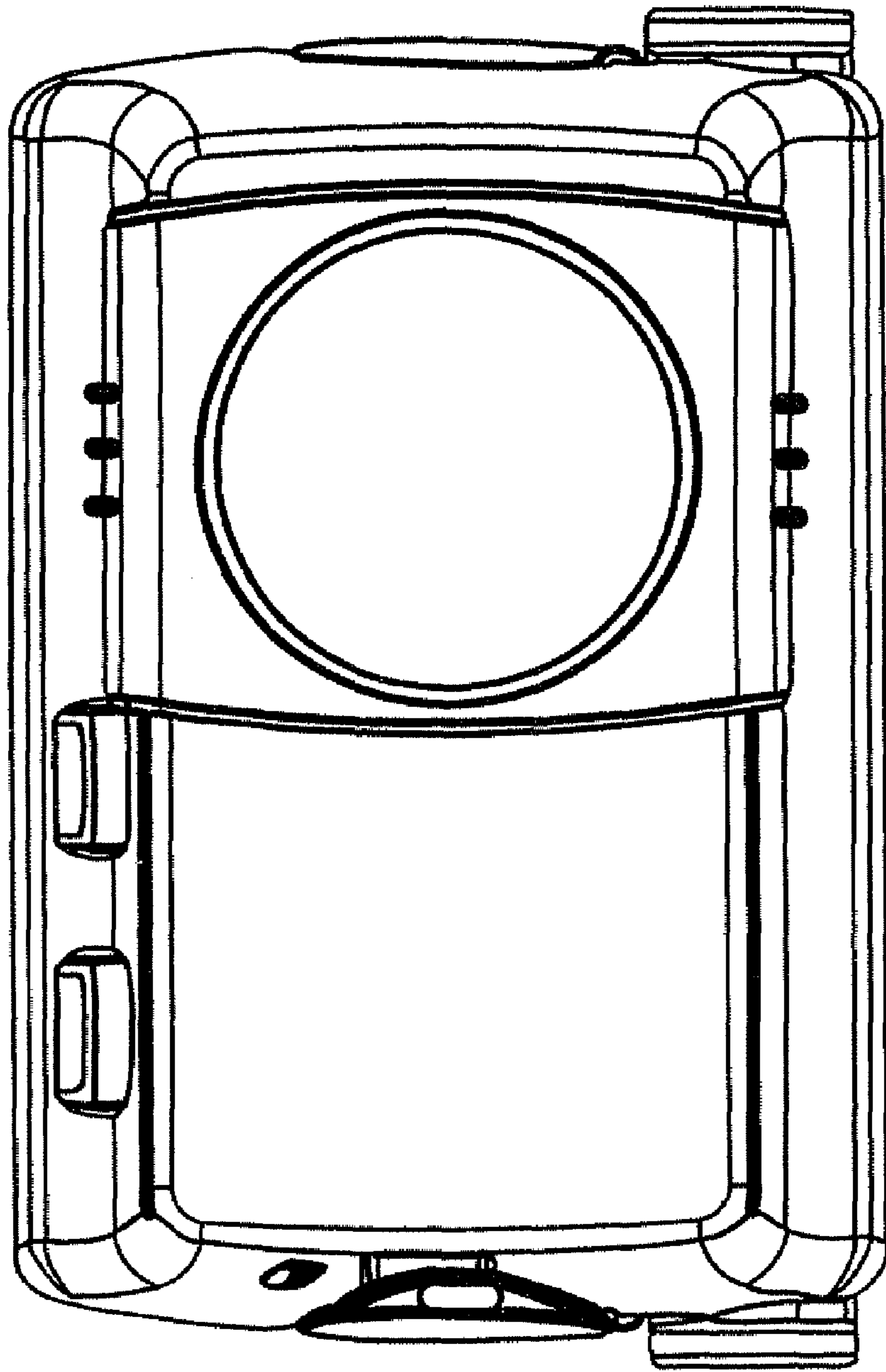


FIGURE 2

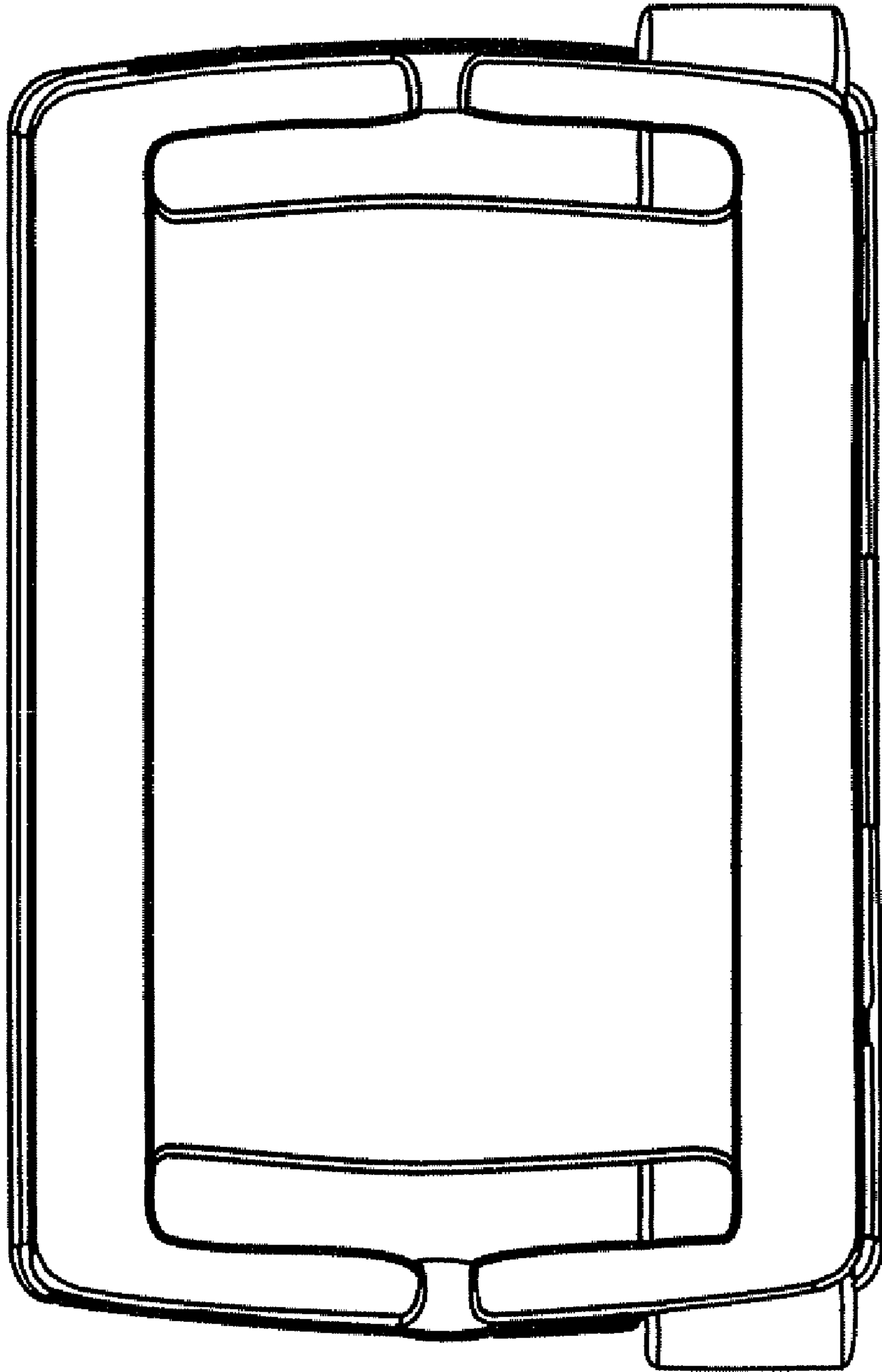


FIGURE 3

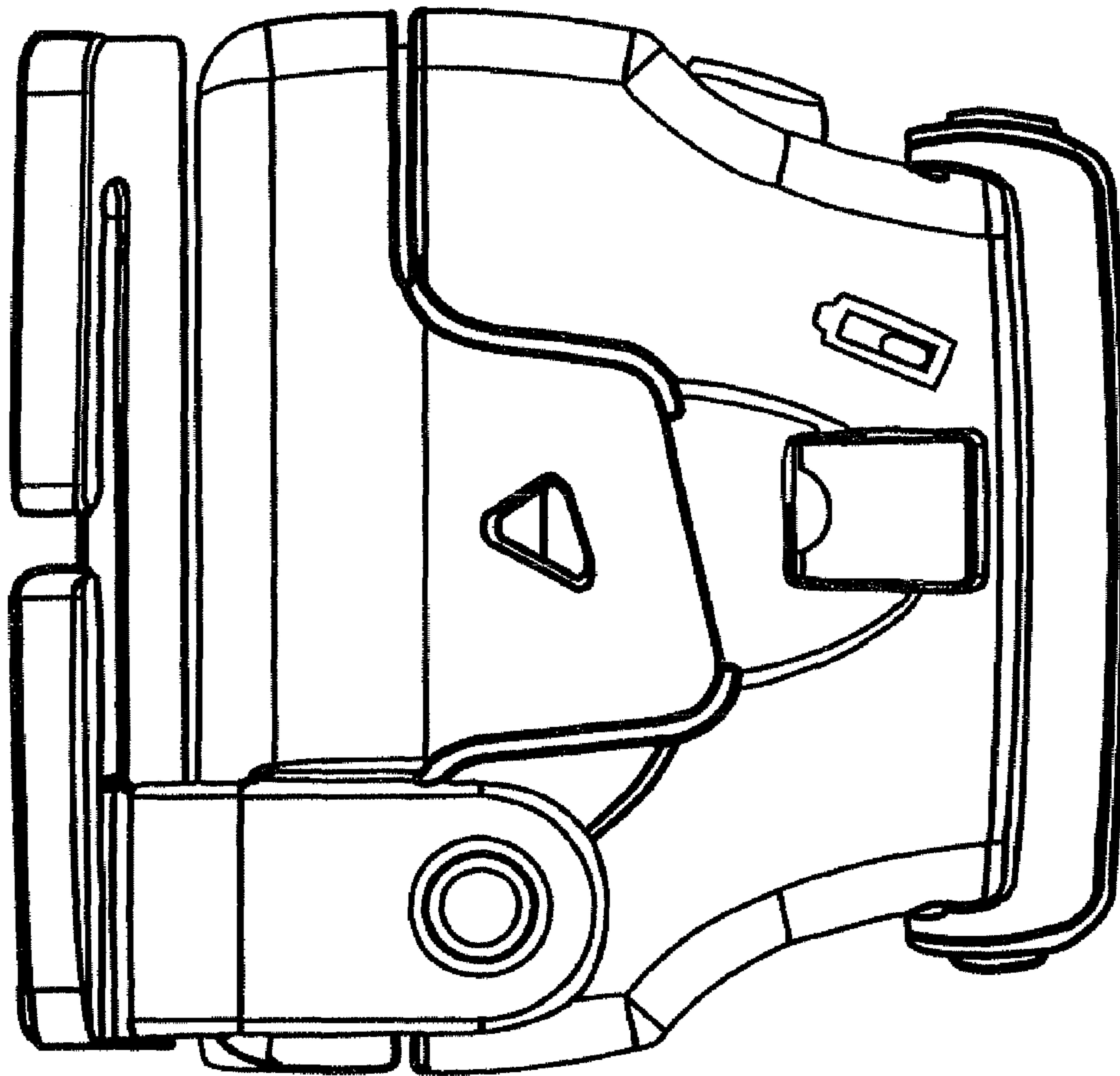


FIGURE 4



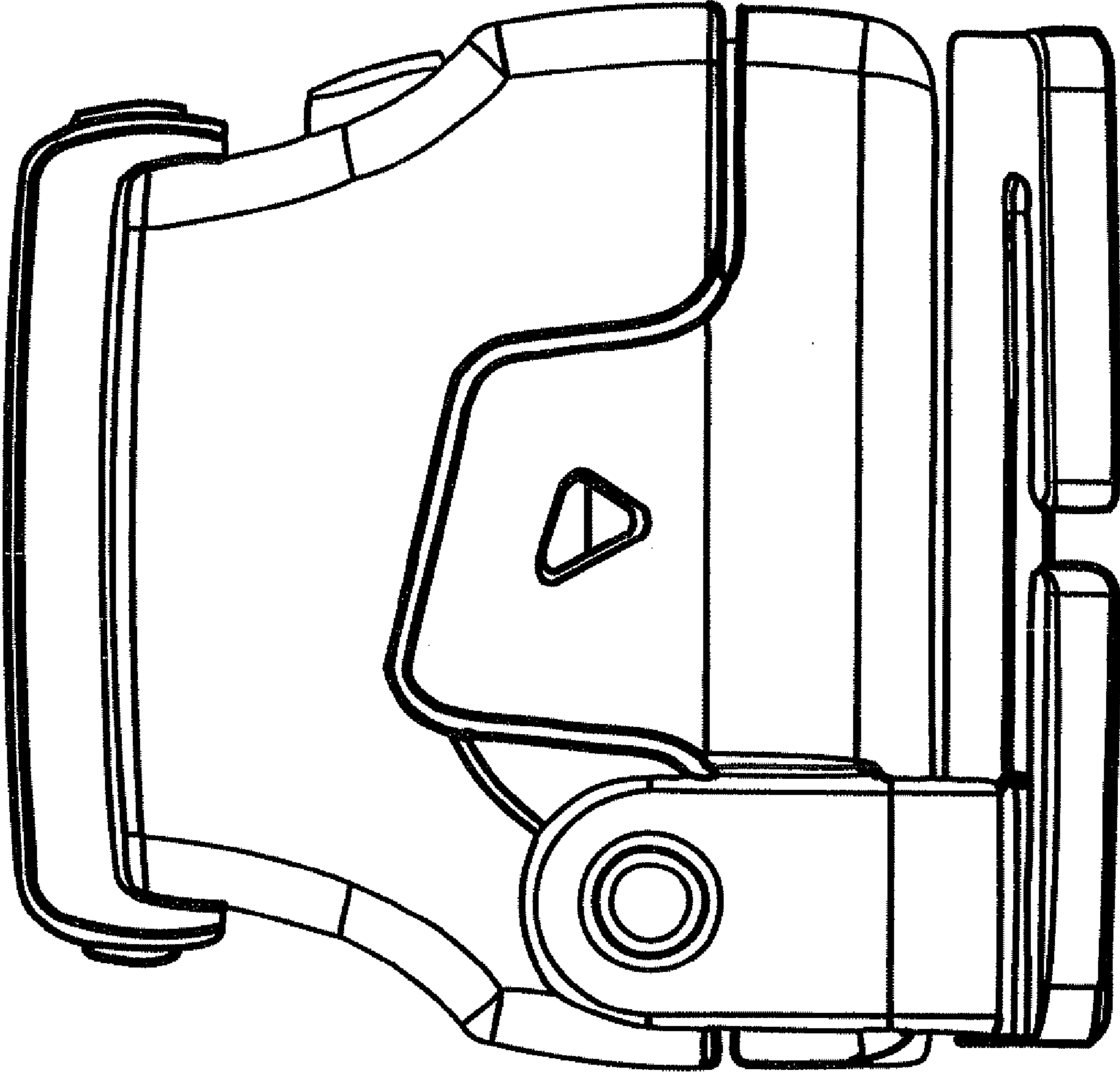


FIGURE 5

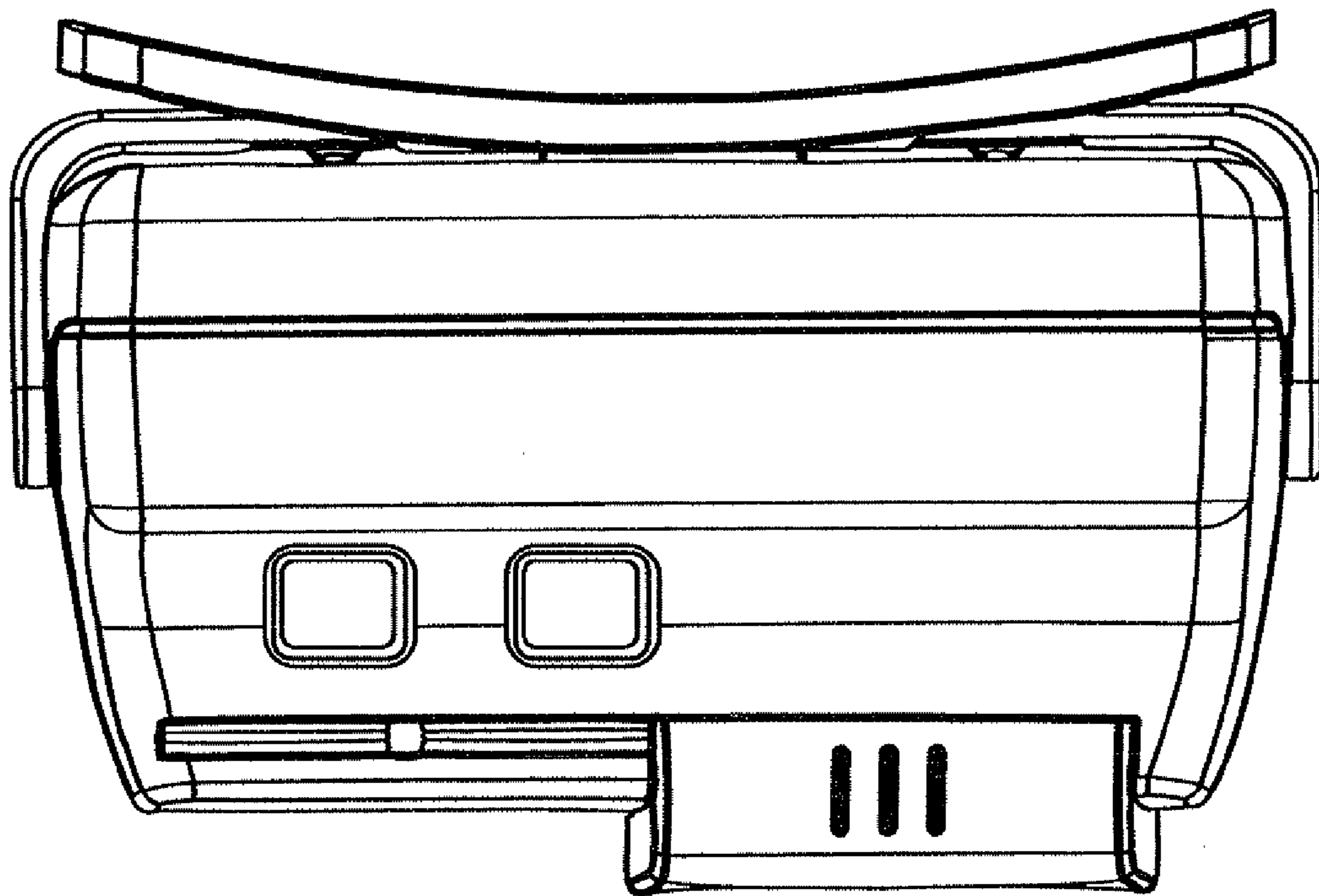


FIGURE 6

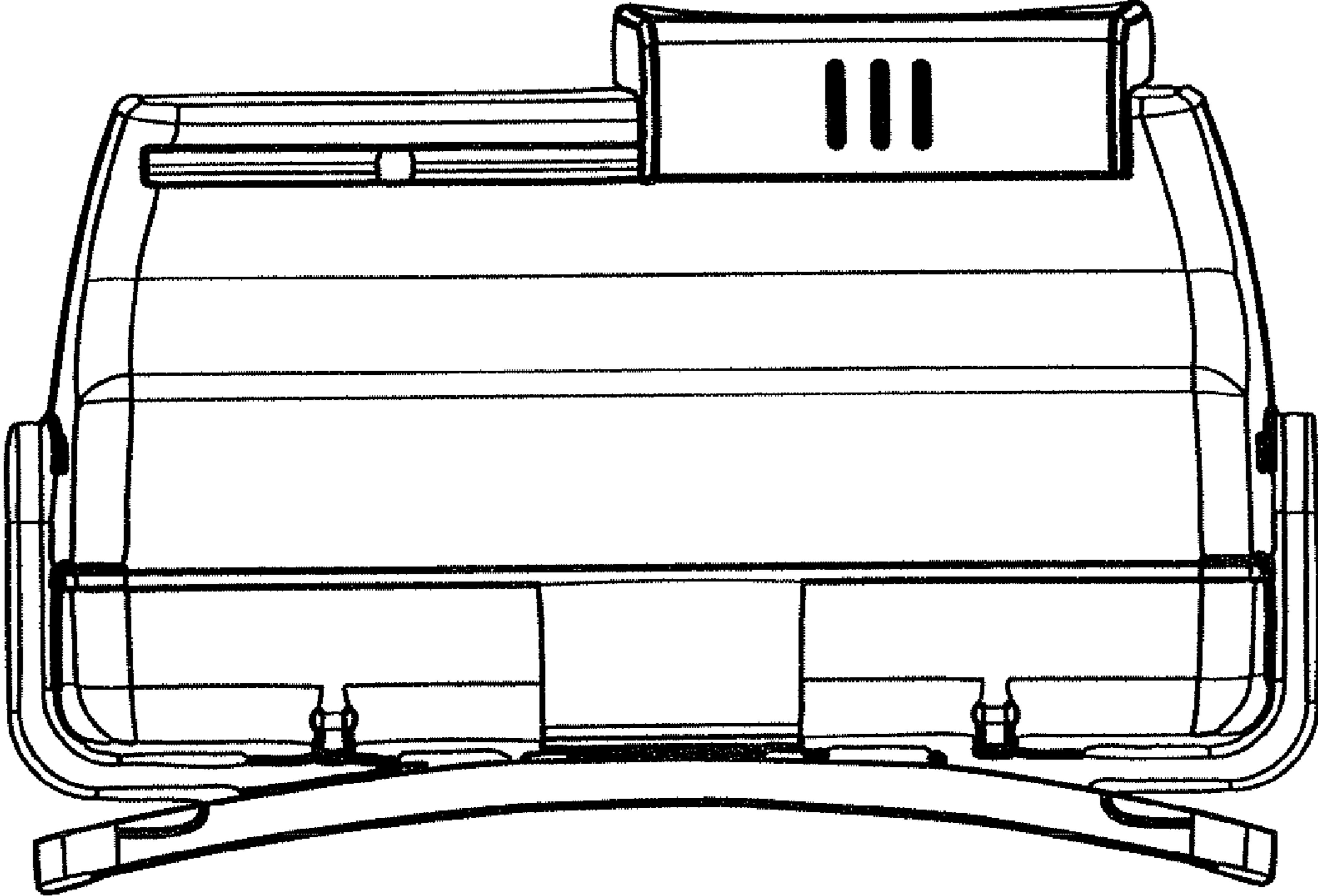


FIGURE 7