



US00D576319S

(12) **United States Design Patent**  
**Binetti et al.**

(10) **Patent No.:** **US D576,319 S**  
(45) **Date of Patent:** **\*\* Sep. 2, 2008**

(54) **MELTING PLATE FOR A DECORATIVE CANDLEHOLDER**

FOREIGN PATENT DOCUMENTS

DE 3403604 8/1985

(75) Inventors: **Nicholas W. Binetti**, Racine, WI (US);  
**Mary Beth Adams**, Antioch, IL (US);  
**Chris A. Kubicek**, East Troy, WI (US);  
**Nathan R. Westphal**, Union Grove, WI (US)

(Continued)

(73) Assignee: **S.C. Johnson & Son, Inc.**, Racine, WI (US)

OTHER PUBLICATIONS

U.S. Appl. No. 29/234,476, filed Jul. 19, 2005, Adams et al.

(\*\*) Term: **14 Years**

(Continued)

(21) Appl. No.: **29/288,988**

*Primary Examiner*—Robert M. Spear  
*Assistant Examiner*—Ania K Dworzecka

(22) Filed: **Jun. 29, 2007**

(57) **CLAIM**

**Related U.S. Application Data**

The ornamental design for a melting plate for a decorative candleholder, as shown and described.

(63) Continuation-in-part of application No. 29/248,986, filed on Sep. 14, 2006, and a continuation-in-part of application No. 29/242,436, filed on Nov. 10, 2005, which is a continuation-in-part of application No. 29/234,510, filed on Jul. 19, 2005, which is a continuation-in-part of application No. 11/123,809, filed on May 6, 2005, now Pat. No. 7,287,978.

**DESCRIPTION**

(51) **LOC (8) Cl.** ..... **26-01**

FIG. 1 is an isometric view of a melting plate for a decorative candleholder;

(52) **U.S. Cl.** ..... **D26/23**

FIG. 2 is a plan view of the melting plate shown in FIG. 1;

(58) **Field of Classification Search** ..... D26/6-23;  
431/288, 125, 126, 292, 289; D11/131, 131.1,  
D11/157; D7/585

FIG. 3 is a front elevational view of the melting plate shown in FIG. 1, the rear side, left side, and right side elevational views being identical thereto; and,

See application file for complete search history.

FIG. 4 is an isometric view of the melting plate of FIG. 1 shown in one possible decorative candleholder.

(56) **References Cited**

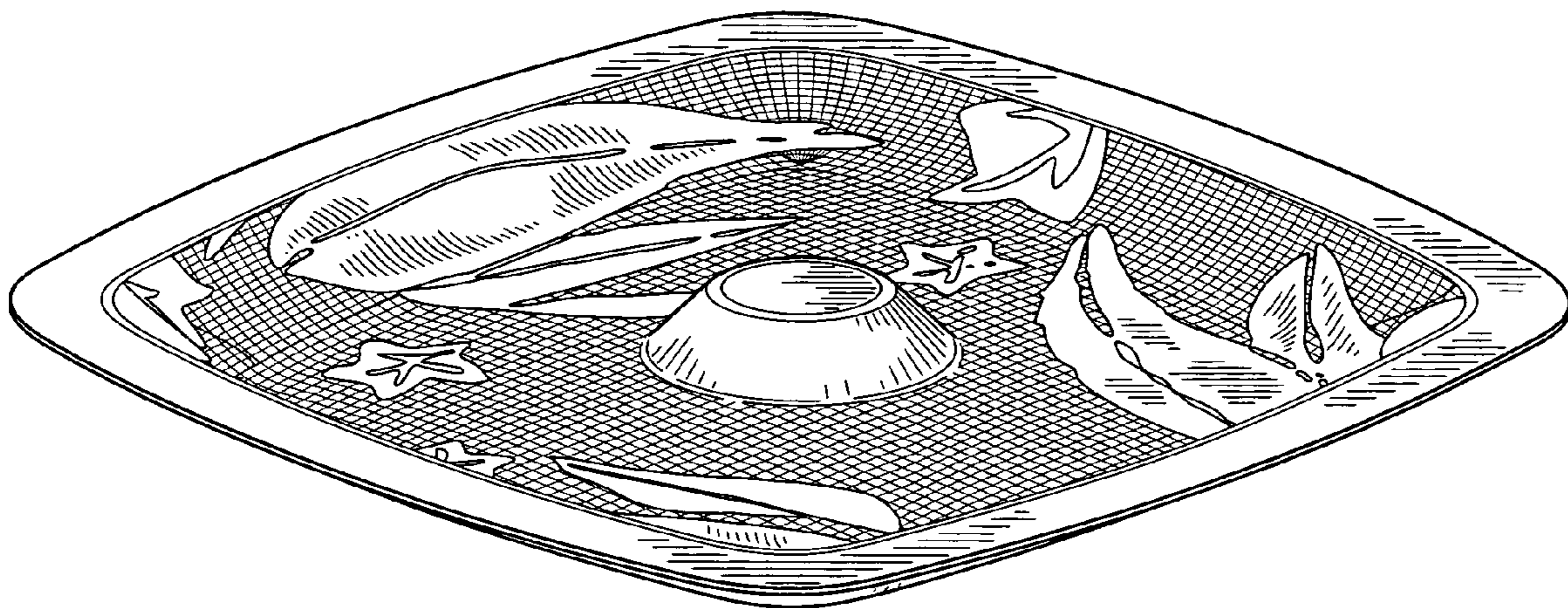
Features illustrated in broken lines are for showing environmental portions only and form no part of the claimed design. Grid patterns shown in FIGS. 1, 2, and 4 represent surface indicia.

U.S. PATENT DOCUMENTS

213,184 A 3/1879 Frick

(Continued)

**1 Claim, 2 Drawing Sheets**





# US D576,319 S

Page 2

U.S. PATENT DOCUMENTS							
405,786	A	6/1889	Ludde	4,206,500	A	6/1980	Neil
407,051	A	7/1889	Baumer	4,206,560	A	6/1980	Sefried, II
408,973	A	8/1889	Heller	4,224,017	A	9/1980	Kayne
484,210	A	10/1892	Ludde	4,234,303	A	11/1980	Neugart
779,644	A	1/1905	Ferrier	D257,641	S	12/1980	Taylor
837,240	A	11/1906	Mulkerins	D264,385	S	5/1982	Meyer
874,241	A	12/1907	Reischer	4,332,548	A	6/1982	Linton et al.
1,044,256	A	11/1912	Satter	4,381,914	A	5/1983	Ferguson
D43,845	S	4/1913	Hirschfeld	4,427,366	A	1/1984	Moore
1,065,364	A	6/1913	Henn	4,477,249	A	10/1984	Ruzek et al.
1,195,657	A	8/1916	Chersky	4,524,408	A	6/1985	Minera
D49,902	S	11/1916	Labaree et al.	D280,443	S	9/1985	Boss
1,229,140	A	6/1917	Ritter	4,544,351	A	10/1985	Marsicano
1,316,624	A	9/1919	Lucas	4,551,794	A	11/1985	Sandell
1,320,109	A	10/1919	Wooster	4,557,687	A	12/1985	Schirneker
1,336,635	A	4/1920	Knapp	4,568,269	A	2/1986	Lin
1,448,558	A	3/1923	Maggi	4,568,270	A	2/1986	Marcus et al.
1,484,964	A	2/1924	Benneville	4,588,618	A	5/1986	Wolfe
D66,972	S	4/1925	Farber	D285,396	S	9/1986	Odate
D67,108	S	4/1925	Steeple	D292,525	S	10/1987	Van Deelen
1,640,734	A	8/1927	Smith	4,755,135	A	7/1988	Kwok
D75,463	S	6/1928	Bach	4,759,699	A	7/1988	Rubarth
D80,971	S	4/1930	Sakier	4,781,895	A	11/1988	Spector
D83,100	S	1/1931	Gisolfi	4,804,323	A	2/1989	Kim
D105,118	S	6/1937	Mackelfresh, Jr.	4,926,298	A	5/1990	Zimmerman
D110,902	S	8/1938	Loesch	D312,507	S	11/1990	Thoreson
D119,587	S	3/1940	Fuerst	4,983,119	A	1/1991	Lin
D120,220	S	4/1940	Guild	5,015,175	A	5/1991	Lee
2,234,903	A	3/1941	Muench	D320,266	S	9/1991	Kunze
2,237,523	A	4/1941	Damon	5,069,617	A	12/1991	Lin
2,246,346	A	6/1941	Wells	5,078,591	A	1/1992	Despres
2,254,906	A	9/1941	Potrulis	5,078,945	A	1/1992	Byron
2,324,753	A	7/1943	Alexiade	5,086,380	A	2/1992	Hedner, Jr.
2,354,343	A	7/1944	Webber et al.	D325,077	S	3/1992	Kearnes
2,393,767	A	1/1946	Gould	5,101,328	A	3/1992	Hai
2,462,440	A	2/1949	Tierney	D329,942	S	10/1992	Carr
2,494,995	A	1/1950	Gardner	5,174,645	A	12/1992	Chung
2,713,256	A	7/1955	Oesterle	5,193,995	A	3/1993	Shirneker
2,758,460	A	8/1956	Ciano	5,338,187	A	8/1994	Elharar
2,775,006	A	12/1956	Kranc	5,363,590	A	11/1994	Lee
2,809,512	A	10/1957	Hartnett	D355,266	S	2/1995	Caplette et al.
RE24,423	E	2/1958	Oesterle et al.	D356,472	S	3/1995	Jaworski
3,121,316	A	2/1964	Wilson	5,425,633	A	6/1995	Cole
D206,946	S	2/1967	Knodt	D360,461	S	7/1995	Gillespie
D208,064	S	7/1967	Quistgaard et al.	D369,221	S	4/1996	Linderman
D208,097	S	7/1967	Henn	D369,871	S	5/1996	Lui
3,565,281	A	2/1971	Collie	D371,212	S	6/1996	Hardy et al.
D226,240	S	1/1973	Twedt	D376,002	S	11/1996	Upson
3,730,674	A	5/1973	Gross	D377,402	S	1/1997	Perkins
3,741,711	A	6/1973	Bryant	5,651,669	A	7/1997	Henry
3,749,904	A	7/1973	Graff	D383,555	S	9/1997	Hardy
3,762,857	A	10/1973	Andeweg	D383,944	S	9/1997	Lillelund et al.
D229,852	S	1/1974	Lindblad	5,690,484	A	11/1997	Leonard et al.
3,890,523	A	6/1975	Poirier	D390,676	S	2/1998	Hollington
D236,064	S	7/1975	Balbo	D391,119	S	2/1998	Rapaz
3,898,039	A	8/1975	Lin	D393,910	S	4/1998	Chambers et al.
3,910,753	A	10/1975	Lee	D394,513	S	5/1998	Davis
3,932,113	A	1/1976	Thrush	D395,529	S	6/1998	Yuen
3,994,502	A	11/1976	Lombardi	5,807,096	A	9/1998	Shin et al.
4,013,397	A	3/1977	Neugart	D399,298	S	10/1998	Whitehead
4,019,856	A	4/1977	Lacroix	5,840,246	A	11/1998	Hammons et al.
D247,635	S	3/1978	Maxwell	5,842,850	A	12/1998	Pappas
D248,499	S	7/1978	Ulrich et al.	5,843,194	A	12/1998	Spaulding
D248,500	S	7/1978	Ulrich et al.	5,871,553	A	2/1999	Spaulding
4,102,634	A	7/1978	Crisp	D410,756	S	6/1999	Kleinberg
D248,787	S	8/1978	Ulrich et al.	5,921,767	A	7/1999	Song
D248,788	S	8/1978	Ulrich et al.	5,927,959	A	7/1999	Johnson
D248,789	S	8/1978	Ulrich et al.	5,951,278	A	9/1999	Young et al.
D253,432	S	11/1979	Van Koert	5,955,034	A	9/1999	Zaunbrecher et al.
D253,732	S	12/1979	Van Koert	5,955,958	A	9/1999	Lu
4,185,953	A	1/1980	Schirneker	D415,295	S	10/1999	Kochis et al.
				5,961,967	A	10/1999	Powell et al.
				D416,099	S	11/1999	Hardy



# US D576,319 S

D416,341 S	11/1999	Allen	6,544,302 B2	4/2003	Berger et al.
5,980,241 A	11/1999	Schirneker	6,551,365 B2	4/2003	Berger et al.
6,019,804 A	2/2000	Requejo et al.	6,554,448 B2	4/2003	Carpenter et al.
6,033,209 A	3/2000	Shin et al.	D474,854 S	5/2003	Lam
6,039,563 A	3/2000	Hardy	6,568,934 B1	5/2003	Butler
D422,180 S	4/2000	Sundberg	6,575,613 B2	6/2003	Brown et al.
6,050,812 A	4/2000	Chuang	6,579,089 B1	6/2003	Iu
D425,220 S	5/2000	Klett et al.	D477,065 S	7/2003	Lonczak et al.
D425,636 S	5/2000	Freeman	6,585,510 B2	7/2003	Papai
6,059,564 A	5/2000	Morris	6,589,047 B1	7/2003	Papai
6,062,847 A	5/2000	Pappas	6,592,637 B2	7/2003	McGee et al.
6,068,472 A	5/2000	Freeman et al.	6,595,771 B2	7/2003	Chu
D426,902 S	6/2000	Hardy et al.	D478,180 S	8/2003	Boss
6,074,199 A	6/2000	Song	6,616,308 B2	9/2003	Jensen et al.
6,079,975 A	6/2000	Conover	D481,143 S	10/2003	McMinn
6,099,877 A	8/2000	Schuppan	D481,473 S	10/2003	Walsh
D430,943 S	9/2000	Zutler	6,630,110 B2	10/2003	Urfig
D433,168 S	10/2000	Cousins	6,631,311 B2	10/2003	Smith
6,129,771 A	10/2000	Ficke et al.	6,648,631 B2	11/2003	Wright et al.
6,152,728 A	11/2000	Griffel	D485,341 S	1/2004	Wu
D435,100 S	12/2000	Pesu et al.	D485,624 S	1/2004	Kitamura
D436,415 S	1/2001	Hardy	6,688,880 B1	2/2004	Pangle
D436,416 S	1/2001	Iu	6,695,611 B2	2/2004	Lee
6,214,063 B1	4/2001	DeStefano et al.	D487,687 S	3/2004	Shields, Jr.
D442,709 S	5/2001	Klett et al.	6,709,266 B2	3/2004	Jensen
D443,080 S	5/2001	Klett et al.	6,730,137 B2	5/2004	Pesu et al.
D443,081 S	5/2001	Klett et al.	6,733,279 B2	5/2004	Thigpen et al.
D443,082 S	5/2001	Klett et al.	D491,288 S	6/2004	Young
D443,101 S	5/2001	Williamson	D493,548 S	7/2004	Goldman
6,231,336 B1	5/2001	Chen	D495,437 S	8/2004	Barbera
6,241,362 B1	6/2001	Morrison	D495,438 S	8/2004	Barbera et al.
6,241,513 B1	6/2001	Jeneral	6,769,905 B2	8/2004	Gray et al.
D445,030 S	7/2001	Croft et al.	6,780,382 B2	8/2004	Furner
D445,337 S	7/2001	Croft et al.	D496,474 S	9/2004	Murdick
6,267,584 B1	7/2001	Zou	D497,680 S	10/2004	McMinn
6,270,339 B1	8/2001	Zou	6,802,707 B2	10/2004	Furner
6,273,710 B1	8/2001	Zou	6,808,388 B2	10/2004	Lee
6,276,925 B1	8/2001	Varga	D497,986 S	11/2004	Morillas
D447,418 S	9/2001	Bezek et al.	D498,525 S	11/2004	Harbutt et al.
6,290,489 B1	9/2001	Seidler	6,849,240 B2	2/2005	Nakatsu et al.
D448,867 S	10/2001	Manocheo et al.	D508,291 S	8/2005	Janssen
6,296,477 B1	10/2001	Lin	6,923,639 B2	8/2005	Pesu et al.
6,299,435 B1	10/2001	Freeman et al.	D510,032 S	9/2005	Ames
D450,395 S	11/2001	Bellenger	D518,159 S	3/2006	Chen
D450,865 S	11/2001	Bellenger et al.	D527,120 S	8/2006	Konkle, Jr.
6,361,311 B1	3/2002	Smith	D531,082 S	10/2006	Belokin
D455,486 S	4/2002	Makino	D533,952 S	12/2006	Adams et al.
D455,846 S	4/2002	Araujo	D533,953 S *	12/2006	Adams et al. .... D26/23
D456,536 S	4/2002	Araujo	D534,283 S *	12/2006	Adams et al. .... D26/9
D456,539 S	4/2002	Leeds	D534,666 S *	1/2007	Adams et al. .... D26/9
6,371,756 B1	4/2002	Toohev	D537,178 S *	2/2007	Adams et al. .... D26/23
D459,498 S	6/2002	Araujo	D537,753 S	3/2007	Belokin
6,398,544 B2	6/2002	Wright et al.	D538,450 S *	3/2007	Adams et al. .... D26/9
D461,916 S	8/2002	Araujo	D539,942 S *	4/2007	Adams et al. .... D26/23
D462,132 S	8/2002	Papai	D540,962 S *	4/2007	Adams et al. .... D26/9
6,428,311 B1	8/2002	Bernardo	D541,443 S *	4/2007	Adams et al. .... D26/9
6,439,471 B2	8/2002	Ehrlich et al.	D543,784 S	6/2007	Assez
D462,793 S	9/2002	Freeman et al.	D544,613 S	6/2007	Timmann et al.
6,450,802 B1	9/2002	Steck	D550,378 S *	9/2007	Adams et al. .... D26/23
6,454,561 B1	9/2002	Colthar et al.	2001/0031438 A1	10/2001	Hannington et al.
D464,745 S	10/2002	Mangini et al.	2002/0066789 A1	6/2002	Yen
6,468,071 B2	10/2002	Zoy	2002/0068009 A1	6/2002	Laudamiel-Pellet
D465,587 S	11/2002	Papai	2002/0068010 A1	6/2002	Laudamiel-Pellet
D466,236 S	11/2002	Papai	2002/0093834 A1	7/2002	Yu
6,488,494 B2	12/2002	Lee	2002/0102187 A1	8/2002	Bellenger et al.
6,491,516 B1	12/2002	Tal et al.	2002/0119413 A1	8/2002	Cheng
D469,550 S	1/2003	Moeller	2002/0127507 A1	9/2002	Long
D469,893 S	2/2003	Shen	2003/0064336 A1	4/2003	Welch
6,520,770 B2	2/2003	Zou	2003/0134246 A1	7/2003	Gray et al.
D471,299 S	3/2003	Papai	2003/0162142 A1	8/2003	Bennetts et al.
6,531,063 B1	3/2003	Rose	2003/0175148 A1	9/2003	Kvietok
6,537,063 B1	3/2003	Pecoskie	2004/0007787 A1	1/2004	Kvietok
6,543,268 B2	4/2003	Wright et al.	2004/0009103 A1	1/2004	Westring

# US D576,319 S

Page 4

2004/0009447	A1	1/2004	Decker	GB	2 239 942	7/1991
2004/0016818	A1	1/2004	Murdell	JP	62220594	9/1987
2004/0028551	A1	2/2004	Kvietok	JP	6212189	8/1994
2004/0029061	A1	2/2004	Dibnah et al.	JP	8185710	7/1996
2004/0033171	A1	2/2004	Kvietok	JP	2003-213292	7/2003
2004/0033463	A1	2/2004	Pesu et al.	WO	WO 89/06141	7/1989
2004/0128879	A1	7/2004	Lu	WO	WO 95/12783	5/1995
2004/0160764	A1	8/2004	Lee	WO	WO 96/02794	2/1996
2004/0223871	A1	11/2004	Woo	WO	WO 99/17055	4/1999
2004/0223943	A1	11/2004	Woo	WO	WO 99/45322	9/1999
2004/0229180	A1	11/2004	Furner	WO	WO 2004/008026	1/2004
2004/0241053	A1	12/2004	Thompson	WO	WO 2004/083349	9/2004
2004/0265164	A1	12/2004	Woo	WO	WO 2004/083718	9/2004
2005/0019238	A1	1/2005	Hart et al.	WO	WO 2004/090417	10/2004
2005/0037306	A1	2/2005	Nakatsu			
2005/0079463	A1	4/2005	Yu			
2005/0227190	A1	10/2005	Pappas			
2006/0057526	A1	3/2006	Kubicek et al.			
2006/0057528	A1	3/2006	Kubicek et al.			
2007/0020572	A1 *	1/2007	Furner et al. ....			431/289
2007/0292812	A1 *	12/2007	Furner et al. ....			431/289

## FOREIGN PATENT DOCUMENTS

DE	4203644	8/1993
DE	4241292	6/1994
DE	4314122	11/1994
DE	44 25 179	1/1996
DE	195 08 962	9/1996
DE	195 48 958	12/1996
EP	0146247	6/1985
EP	1054054	11/2000
FR	2628825	9/1989
GB	1514338	6/1978

## OTHER PUBLICATIONS

U.S. Appl. No. 29/242,572, filed Nov. 10, 2005, Kubicek et al.  
 U.S. Appl. No. 29/242,441, filed Nov. 10, 2005, Kubicek et al.  
 U.S. Appl. No. 29/242,571, filed Nov. 10, 2005, Kubicek et al.  
 International Candle House catalog (1966-67); Bobeshes pp. 54-55.  
 Pourette Catalog 1998; p. 12.  
 Prices London Candlemakers; <http://www.prices-candles.co.uk/mainpage.htm>; 1 page, printed Apr. 21, 2005.  
 Prices London Candlemakers; <http://www.prices-candles.co.uk/catalogue/Accessories/Accessories%20Page%2008.jpg>; 1 page; printed Apr. 21, 2005.  
 Two (2) photos of Price's "Coral Bay Fragranced Bathroom" product taken Jan. 1, 1999.  
 Stephanie Reiser Wrought Iron—"Welcome to CourtingCandle.com!" <http://www.courtingcandle.com>; 1 page printed on May 12, 2004.

\* cited by examiner



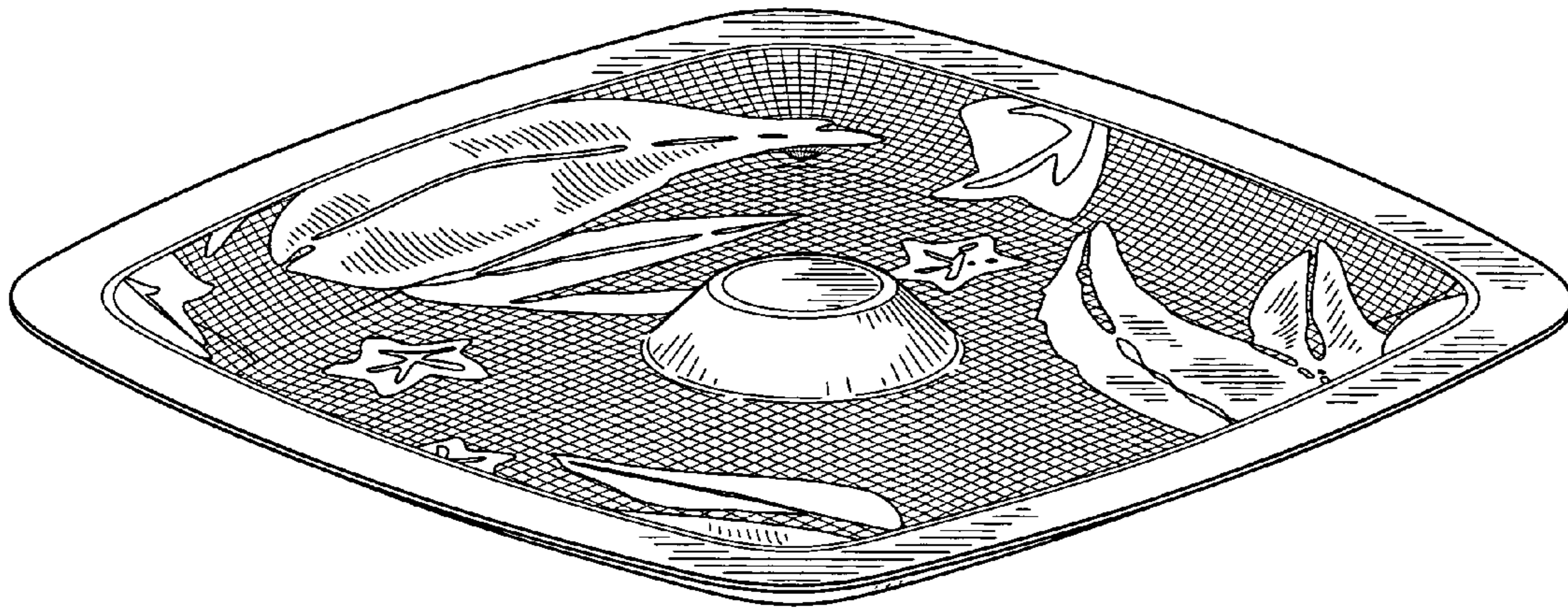


FIG. 1

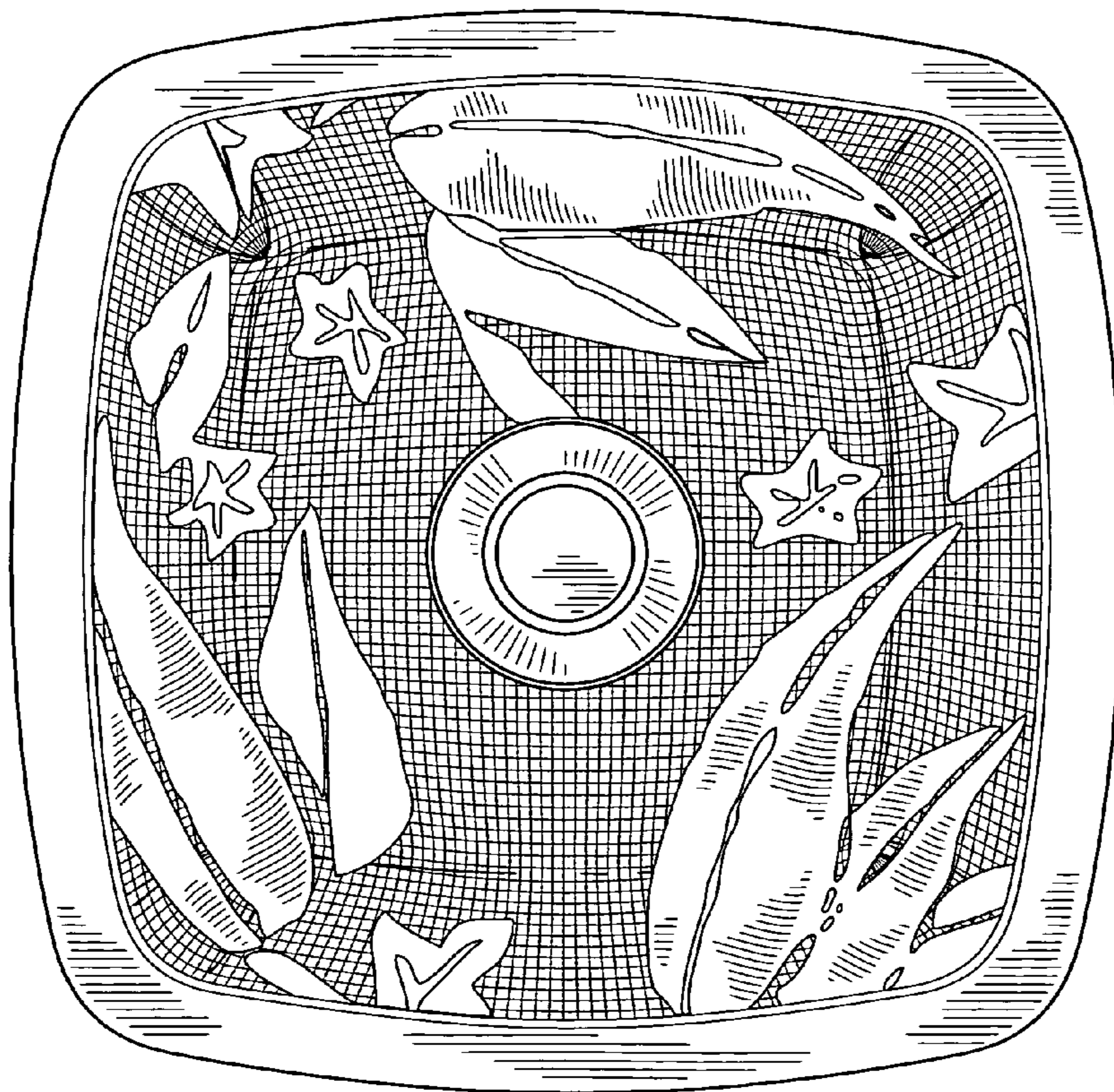


FIG. 2



FIG. 3

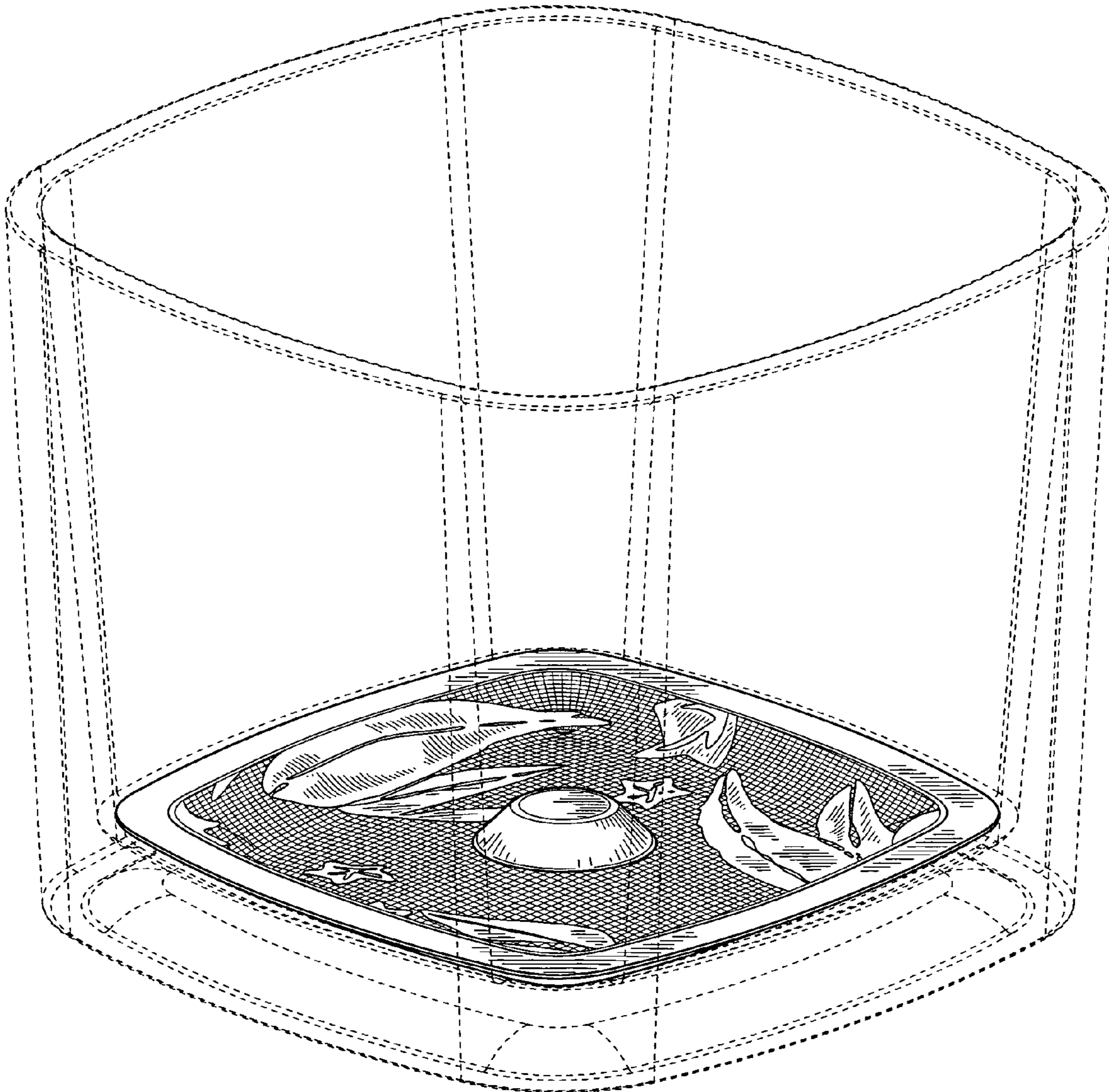


FIG. 4