



US00D576312S

(12) **United States Design Patent**
Morton et al.

(10) **Patent No.:** **US D576,312 S**
(45) **Date of Patent:** **** Sep. 2, 2008**

(54) **WINDOW MAIN FRAME EXTRUSION**

4,944,118 A * 7/1990 Biro 49/504
5,557,894 A * 9/1996 Card 52/204.595
D378,430 S * 3/1997 Dallaire et al. D25/125
D438,641 S * 3/2001 Ballard et al. D25/124

(75) Inventors: **Philip G. Morton**, Germantown, OH
(US); **Christopher R. Ballard**,
Miamisburg, OH (US)

(73) Assignee: **Deceuninck North America, LLC**,
Monroe, OH (US)

* cited by examiner

(**) Term: **14 Years**

Primary Examiner—Doris Clark
(74) *Attorney, Agent, or Firm*—Jacox, Meckstroth & Jenkins

(21) Appl. No.: **29/289,612**

(22) Filed: **Jul. 25, 2007**

(57) **CLAIM**

(51) **LOC (8) Cl.** **25-01**

The ornamental design of a window main frame extrusion, as shown and described.

(52) **U.S. Cl.** **D25/125; D25/124**

(58) **Field of Classification Search** D25/124,
D25/125, 121, 122; 52/204.59, 204.1, 204.2,
52/204.5, 204.51, 656.5, 656.6, 213, 215,
52/208, 293.3, 204.97, 204.595, 204.71,
52/730.3, 656.2; 49/209, 501, 504, DIG. 2
See application file for complete search history.

DESCRIPTION

FIG. 1 is a perspective view of a window main frame extrusion, showing our new design, with a middle portion broken away to disclose indefinite length; and, FIG. 2 is an end view thereof, the opposite end view being a mirror image.

(56) **References Cited**

U.S. PATENT DOCUMENTS

D285,612 S * 9/1986 Slocomb, Jr. D25/124

1 Claim, 1 Drawing Sheet

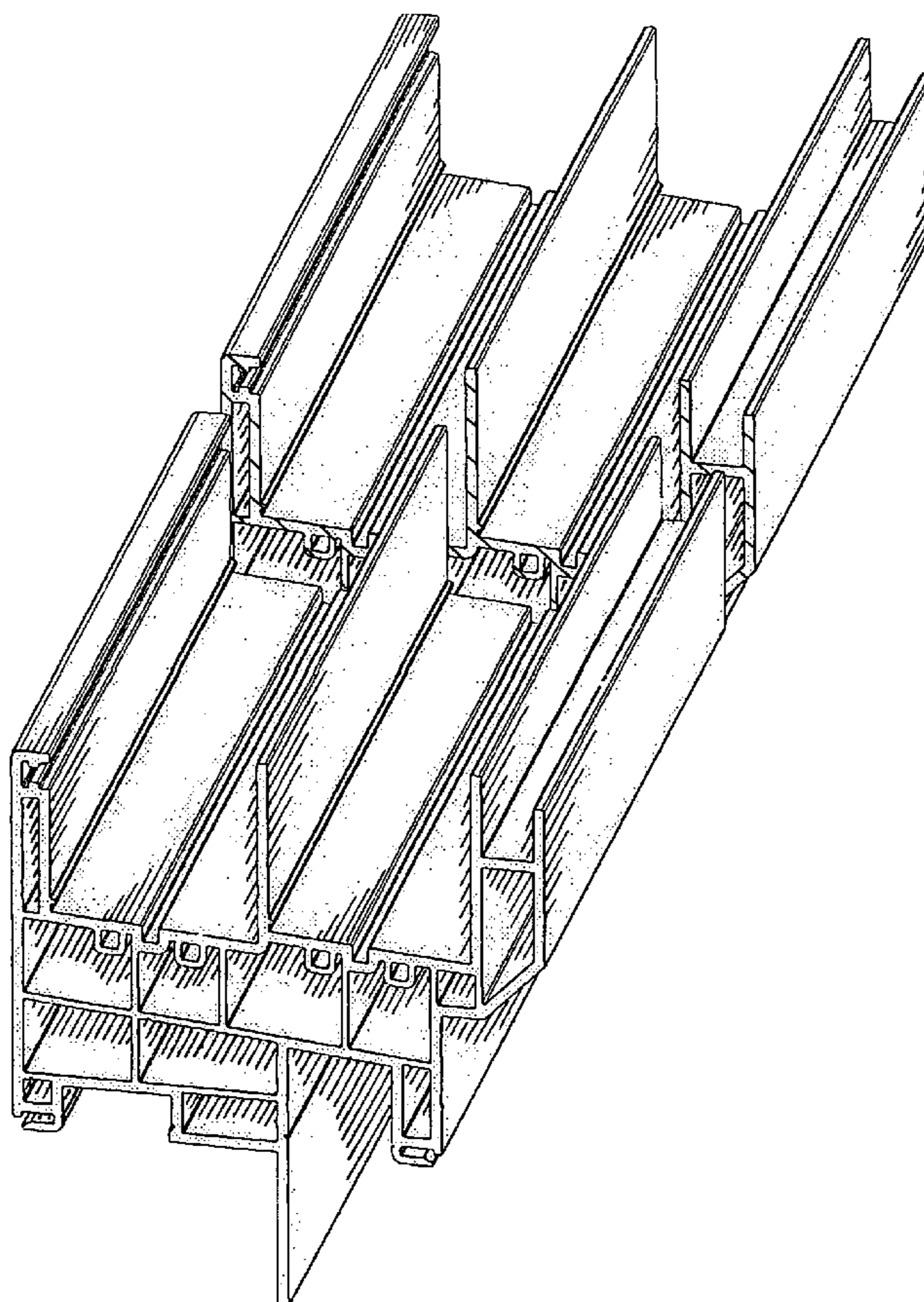


FIG-1

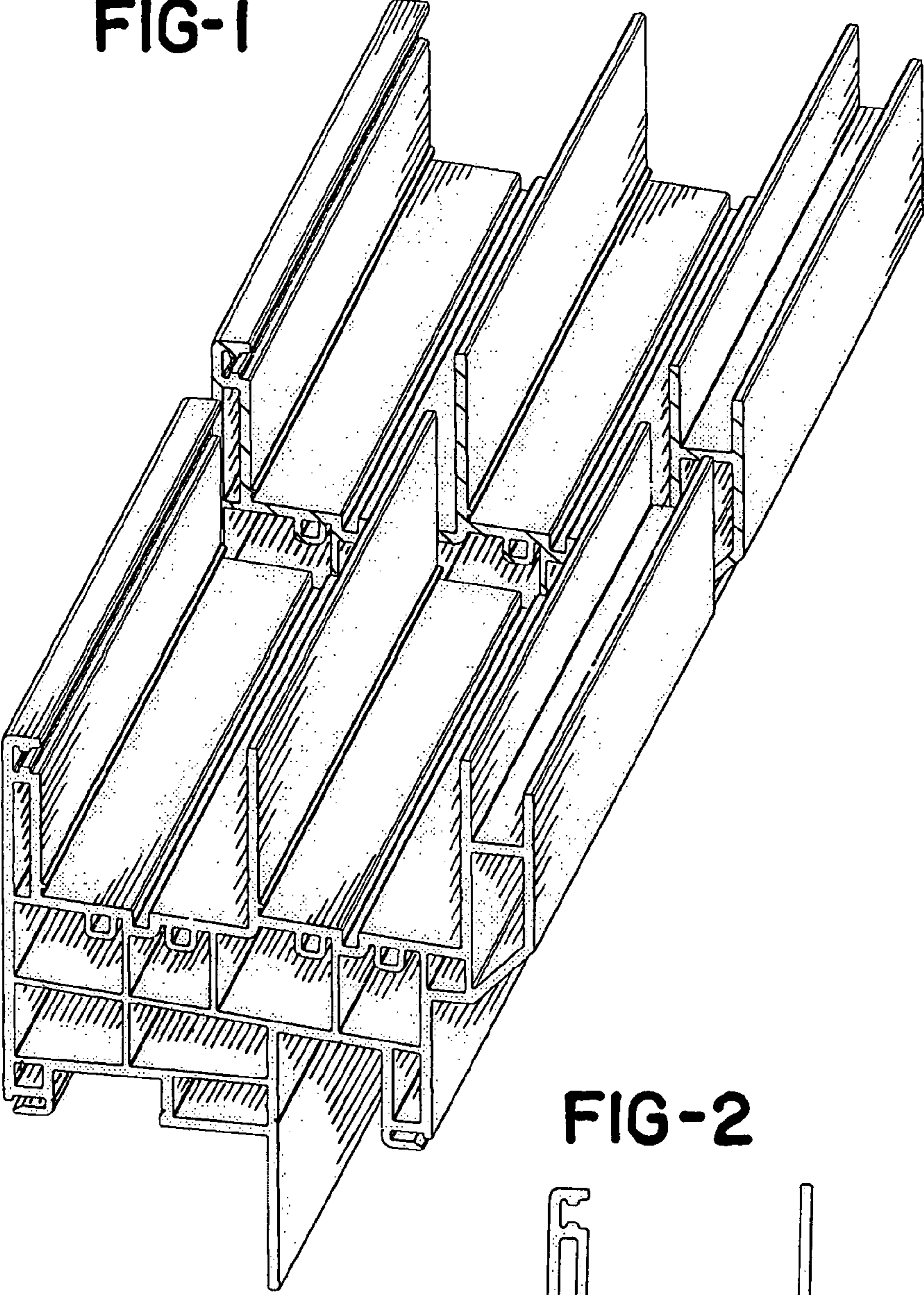


FIG-2

