



US00D576305S

(12) **United States Design Patent**  
**Morton et al.**

(10) **Patent No.:** **US D576,305 S**  
(45) **Date of Patent:** **\*\* Sep. 2, 2008**

(54) **WINDOW MAIN FRAME EXTRUSION**

4,944,118 A \* 7/1990 Biro ..... 49/504  
5,557,894 A \* 9/1996 Card ..... 52/204.595  
D378,430 S \* 3/1997 Dallaire et al. .... D25/125  
D438,641 S \* 3/2001 Ballard et al. .... D25/124

(75) Inventors: **Philip G. Morton**, Germantown, OH  
(US); **Christopher R. Ballard**,  
Miamisburg, OH (US)

(73) Assignee: **Deceuninck North America, LLC**,  
Monroe, OH (US)

\* cited by examiner

(\*\*) Term: **14 Years**

*Primary Examiner*—Doris Clark

(21) Appl. No.: **29/289,609**

(74) *Attorney, Agent, or Firm*—Jacox, Meckstroth & Jenkins

(22) Filed: **Jul. 25, 2007**

(57) **CLAIM**

(51) **LOC (8) Cl.** ..... **25-01**

The ornamental design of a window main frame extrusion, as shown and described.

(52) **U.S. Cl.** ..... **D25/124**

(58) **Field of Classification Search** ..... D25/124,  
D25/125, 121, 122; 52/204.59, 204.1, 204.2,  
52/204.5, 204.51, 656.5, 656.6, 213, 215,  
52/208, 293.3, 204.97, 204.595, 204.71,  
52/730.3, 656.2; 49/209, 501, 504, DIG. 2  
See application file for complete search history.

**DESCRIPTION**

FIG. 1 is a perspective view of a window main frame extrusion, showing our new design, with a middle portion broken away to disclose indefinite length; and,

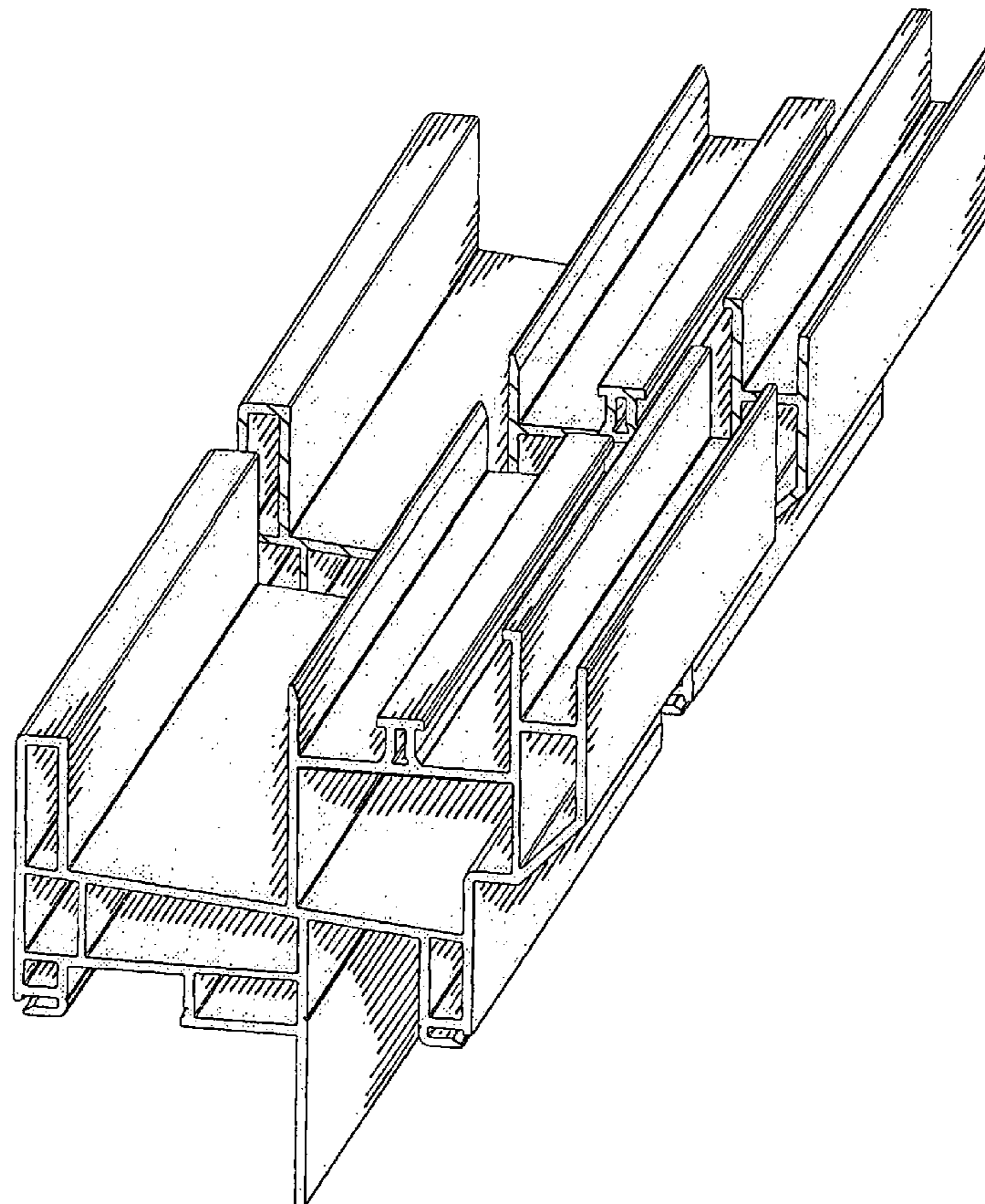
FIG. 2 is an end view thereof, the opposite end view being a mirror image.

(56) **References Cited**

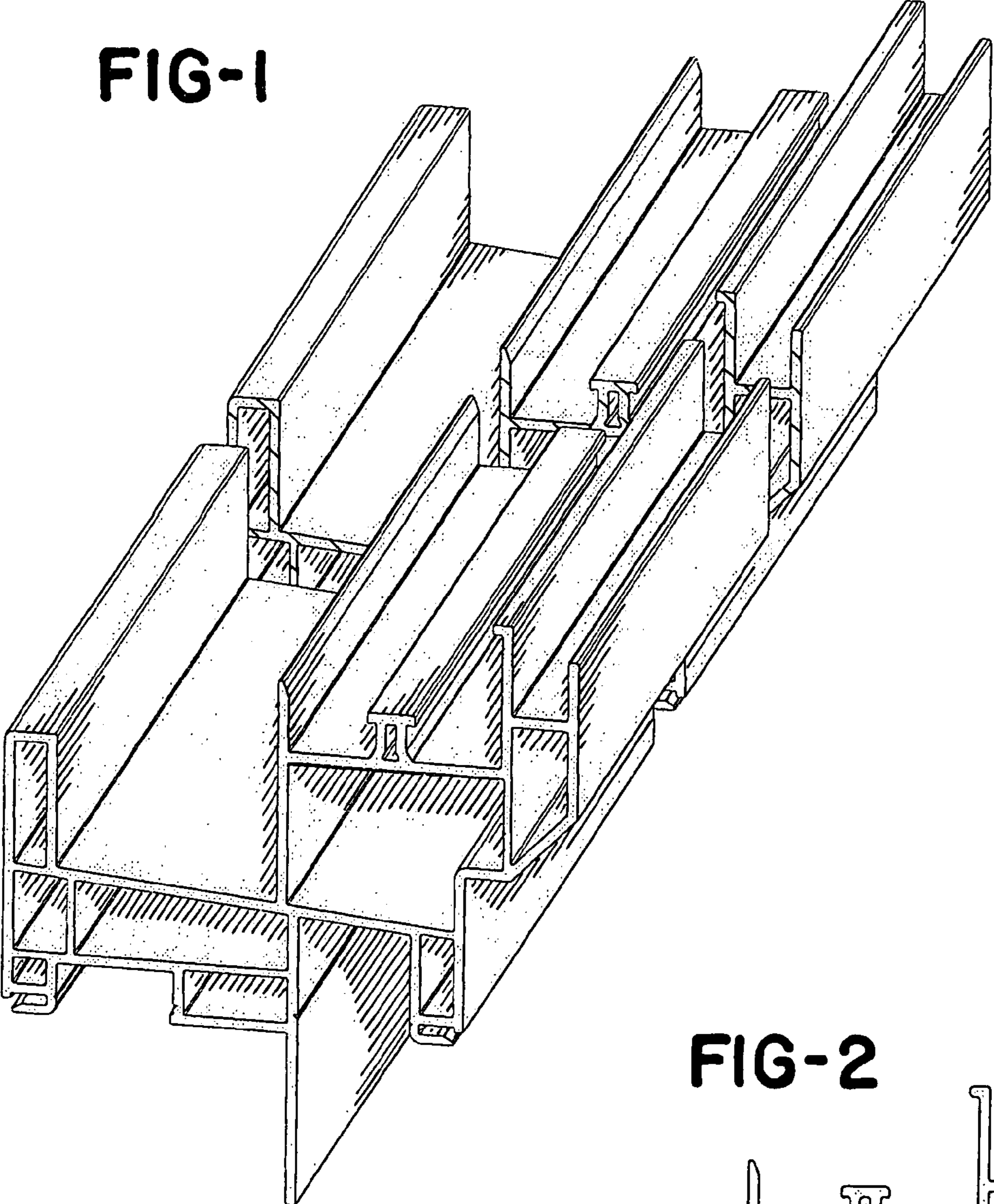
U.S. PATENT DOCUMENTS

D285,612 S \* 9/1986 Slocomb, Jr. .... D25/124

**1 Claim, 1 Drawing Sheet**



**FIG-1**



**FIG-2**

