



US00D576304S

(12) **United States Design Patent**
Morton et al.

(10) **Patent No.:** **US D576,304 S**
(45) **Date of Patent:** **** Sep. 2, 2008**

(54) **WINDOW MAIN FRAME EXTRUSION**

D438,641 S * 3/2001 Ballard et al. D25/124
D453,381 S * 2/2002 Ballard et al. D25/124
D466,624 S * 12/2002 Ballard et al. D25/124

(75) Inventors: **Philip G. Morton**, Germantown, OH (US); **Christopher R. Ballard**, Miamisburg, OH (US)

(73) Assignee: **Deceuninck North America, LLC**, Monroe, OH (US)

* cited by examiner

(**) Term: **14 Years**

Primary Examiner—Doris Clark

(21) Appl. No.: **29/289,607**

(74) *Attorney, Agent, or Firm*—Jacox, Meckstroth & Jenkins

(22) Filed: **Jul. 25, 2007**

(57) **CLAIM**

The ornamental design of a window main frame extrusion, as shown and described.

(51) **LOC (8) Cl.** **25-01**

(52) **U.S. Cl.** **D25/124**

(58) **Field of Classification Search** D25/124, D25/125; 52/656.6, 204.5, 204.55, 204.61, 52/730.3, 204.51, 204.595, 204.71, 656.2, 52/204.1, 204.2, 204.593; 49/504, DIG. 2
See application file for complete search history.

DESCRIPTION

FIG. 1 is a perspective view of a window main frame extrusion, showing our new design, with a middle portion broken away to disclose indefinite length; and,

FIG. 2 is an end view thereof, the opposite end view being a mirror image.

(56) **References Cited**

U.S. PATENT DOCUMENTS

5,557,894 A * 9/1996 Card 52/204.595

1 Claim, 1 Drawing Sheet

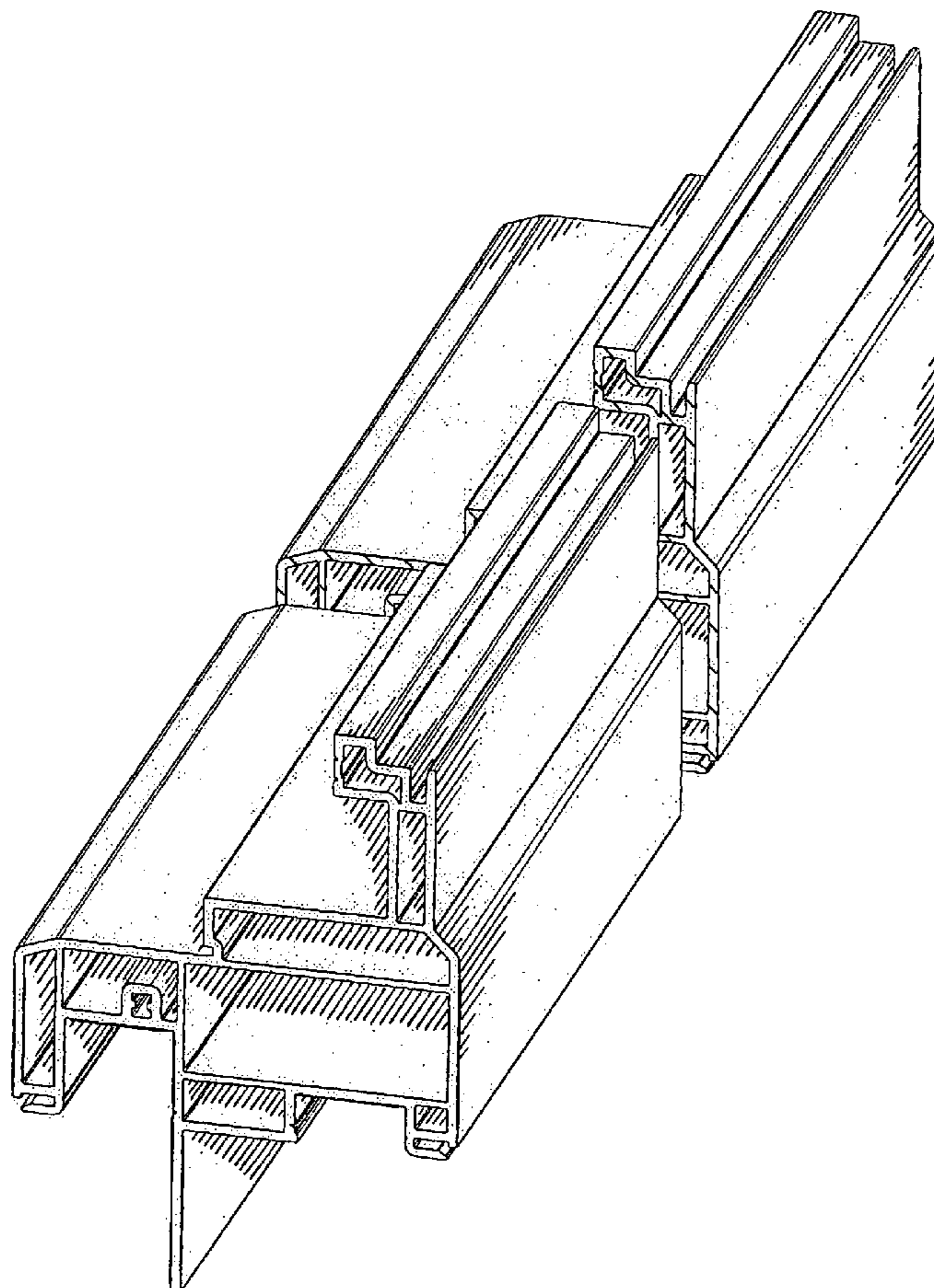


FIG-1

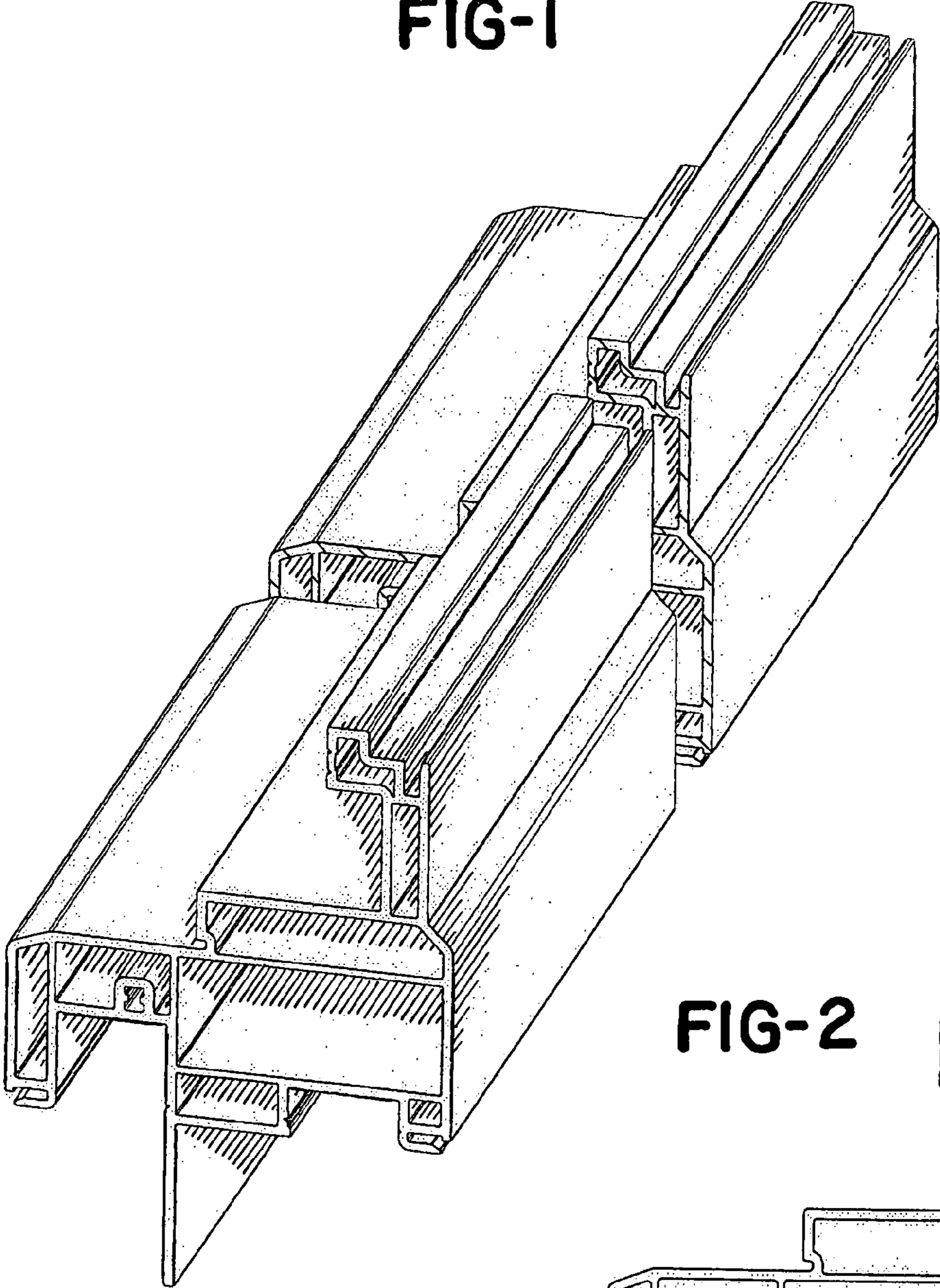


FIG-2

