



US00D576298S

(12) **United States Design Patent**
Morton et al.

(10) **Patent No.:** **US D576,298 S**

(45) **Date of Patent:** **** Sep. 2, 2008**

(54) **WINDOW SASH FRAME EXTRUSION**

(75) Inventors: **Philip G. Morton**, Germantown, OH (US); **Christopher R. Ballard**, Miamisburg, OH (US)

(73) Assignee: **Deceuninck North America, LLC**, Monroe, OH (US)

(**) Term: **14 Years**

(21) Appl. No.: **29/289,599**

(22) Filed: **Jul. 25, 2007**

(51) **LOC (8) Cl.** **25-01**

(52) **U.S. Cl.** **D25/124**

(58) **Field of Classification Search** D25/124;
52/656.6, 204.5, 204.55, 204.61, 730.3, 204.51
See application file for complete search history.

(56) **References Cited**

U.S. PATENT DOCUMENTS

D335,712 S * 5/1993 Cole D25/124
5,622,017 A * 4/1997 Lynn et al. 52/209

6,006,478 A * 12/1999 Hubner et al. 52/204.5
D440,325 S * 4/2001 Habeck et al. D25/124
D441,103 S * 4/2001 Habeck et al. D25/124
6,327,826 B1 * 12/2001 Mann 52/204.1
D452,743 S * 1/2002 Edger D25/124
2003/0159374 A1 * 8/2003 Burgess 52/204.61
2004/0159057 A1 * 8/2004 Hornung 52/204.5

* cited by examiner

Primary Examiner—Doris Clark

(74) *Attorney, Agent, or Firm*—Jacox, Meckstroth & Jenkins

(57) **CLAIM**

The ornamental design of a window sash frame extrusion, as shown and described.

DESCRIPTION

FIG. 1 is a perspective view of a window sash frame extrusion, showing our new design, with a middle portion broken away to disclose indefinite length; and,

FIG. 2 is an end view thereof, the opposite end view being a mirror image.

1 Claim, 1 Drawing Sheet

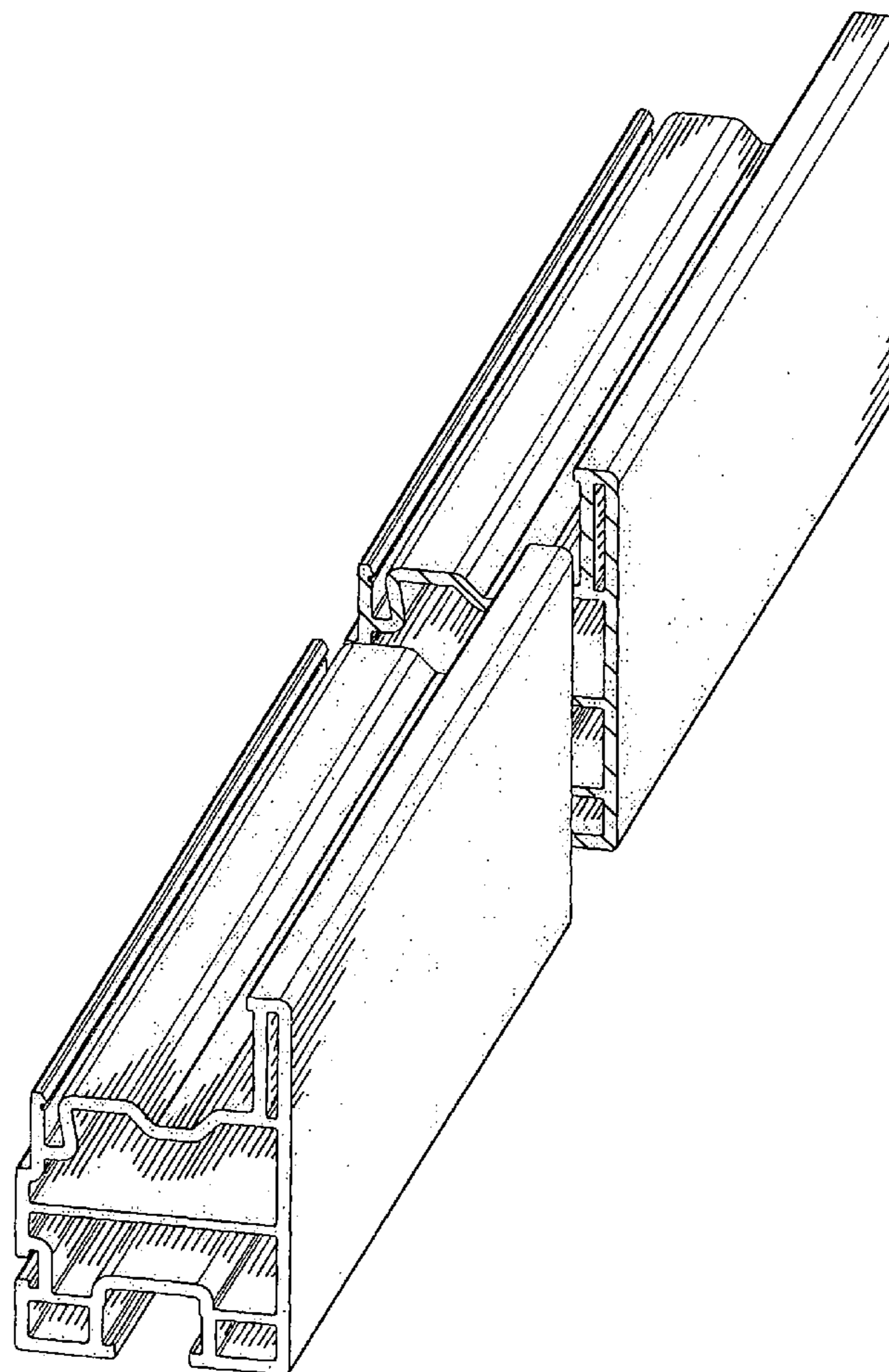


FIG-1

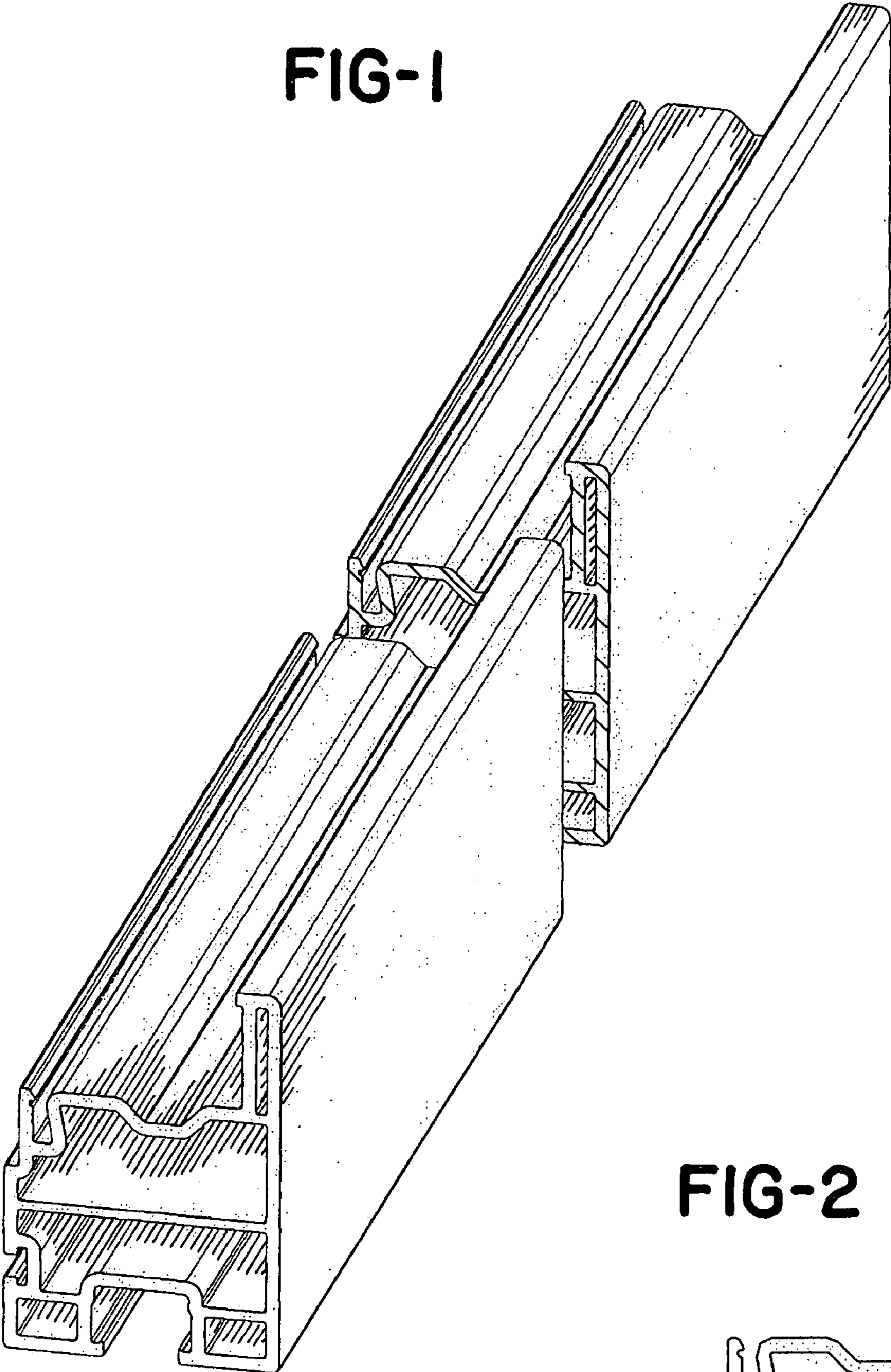


FIG-2

