



US00D576297S

(12) **United States Design Patent**  
**Morton et al.**

(10) **Patent No.:** **US D576,297 S**

(45) **Date of Patent:** **\*\* Sep. 2, 2008**

(54) **WINDOW SASH FRAME EXTRUSION**

(75) Inventors: **Philip G. Morton**, Germantown, OH (US); **Christopher R. Ballard**, Miamisburg, OH (US)

(73) Assignee: **Deceuninck North America, LLC**, Monroe, OH (US)

(\*\*) Term: **14 Years**

(21) Appl. No.: **29/289,598**

(22) Filed: **Jul. 25, 2007**

(51) **LOC (8) Cl.** ..... **25-01**

(52) **U.S. Cl.** ..... **D25/124**

(58) **Field of Classification Search** ..... D25/124;  
52/656.6, 204.5, 204.55, 204.61, 730.3, 204.51  
See application file for complete search history.

(56) **References Cited**

**U.S. PATENT DOCUMENTS**

D335,712 S \* 5/1993 Cole ..... D25/124  
5,622,017 A \* 4/1997 Lynn et al. .... 52/209

6,006,478 A \* 12/1999 Hubner et al. .... 52/204.5  
D440,325 S \* 4/2001 Habeck et al. .... D25/124  
D441,103 S \* 4/2001 Habeck et al. .... D25/124  
6,327,826 B1 \* 12/2001 Mann ..... 52/204.1  
D452,743 S \* 1/2002 Edger ..... D25/124  
2003/0159374 A1 \* 8/2003 Burgess ..... 52/204.61  
2004/0159057 A1 \* 8/2004 Hornung ..... 52/204.5

\* cited by examiner

*Primary Examiner*—Doris Clark

(74) *Attorney, Agent, or Firm*—Jacox, Meckstroth & Jenkins

(57) **CLAIM**

The ornamental design of a window sash frame extrusion, as shown and described.

**DESCRIPTION**

FIG. 1 is a perspective view of a window sash frame extrusion, showing our new design, with a middle portion broken away to disclose indefinite length; and,

FIG. 2 is an end view thereof, the opposite end view being a mirror image.

**1 Claim, 1 Drawing Sheet**

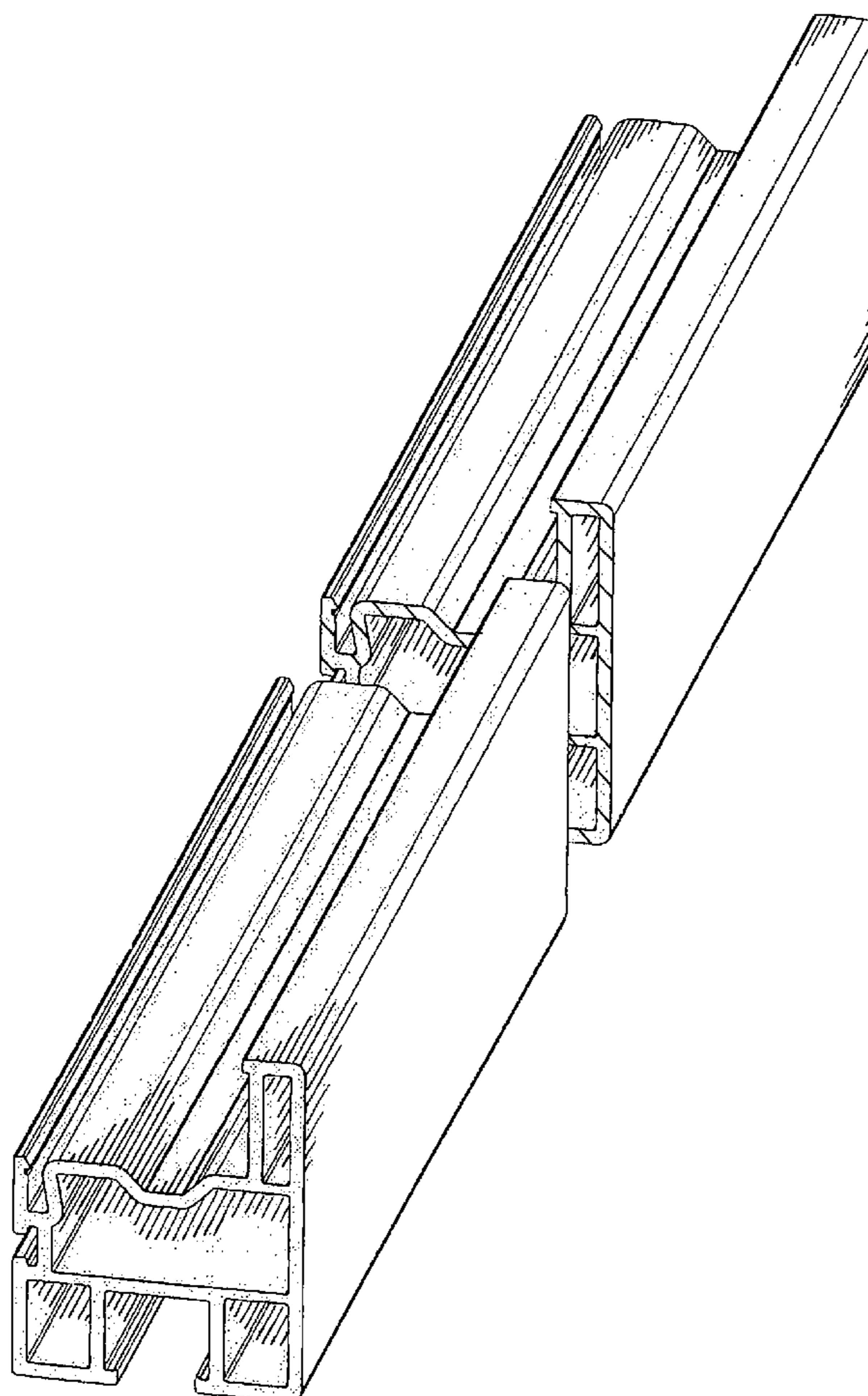


FIG-1

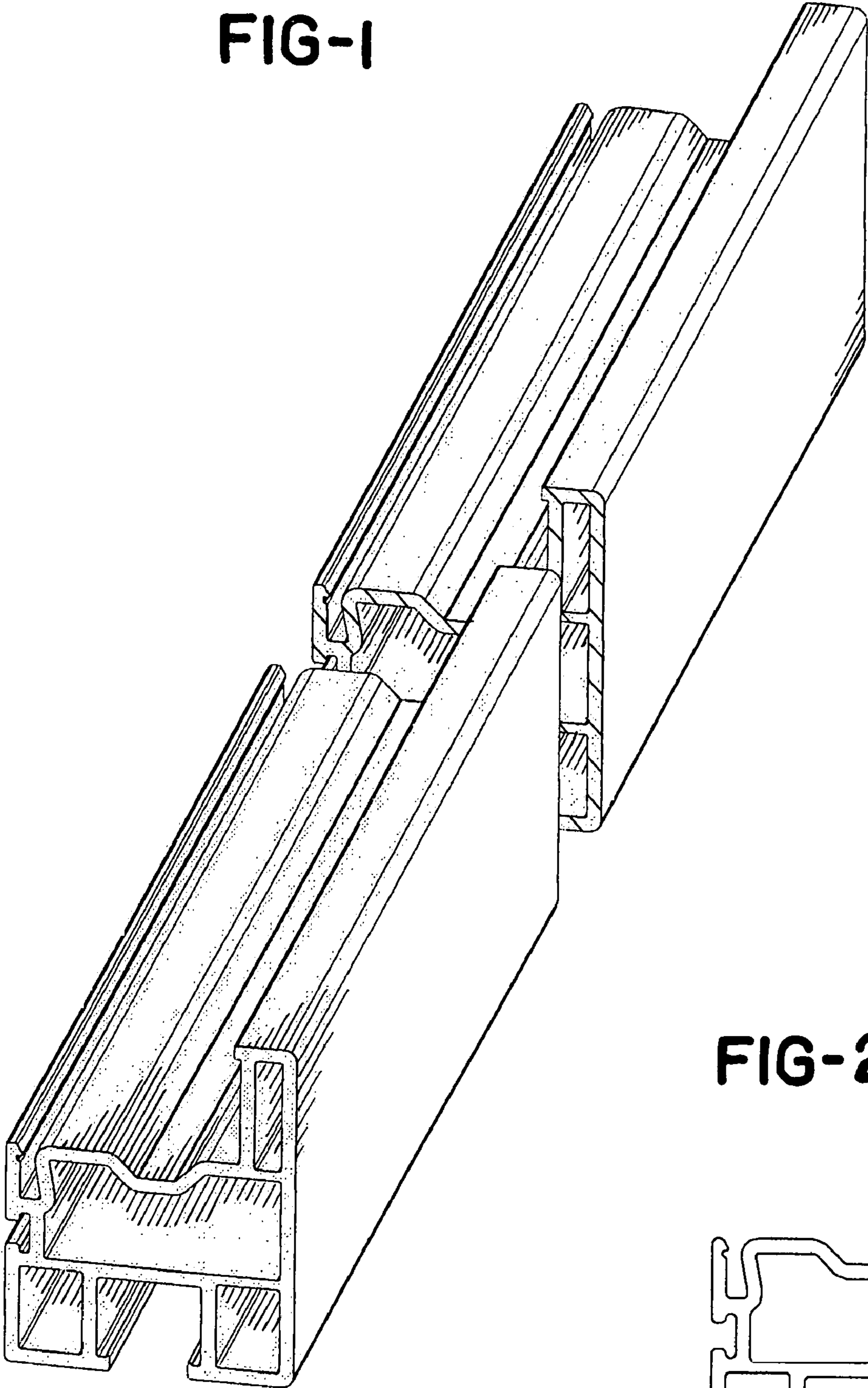


FIG-2

