



US00D576295S

(12) **United States Design Patent**
Morton et al.

(10) **Patent No.:** **US D576,295 S**

(45) **Date of Patent:** **** Sep. 2, 2008**

(54) **WINDOW MAIN FRAME EXTRUSION**

(56) **References Cited**

(75) Inventors: **Philip G. Morton**, Germantown, OH (US); **Christopher R. Ballard**, Miamisburg, OH (US)

U.S. PATENT DOCUMENTS

D285,612 S * 9/1986 Slocomb, Jr. D25/124
4,974,364 A * 12/1990 Durham, Jr. 49/400
5,522,196 A * 6/1996 Conroy et al. 52/738.1

(73) Assignee: **Deceuninck North America, LLC**, Monroe, OH (US)

* cited by examiner

Primary Examiner—Doris Clark

(**) Term: **14 Years**

(74) *Attorney, Agent, or Firm*—Jacox, Meckstroth & Jenkins

(21) Appl. No.: **29/289,596**

(57) **CLAIM**

(22) Filed: **Jul. 25, 2007**

The ornamental design of a window main frame extrusion, as shown and described.

(51) **LOC (8) Cl.** **25-01**

DESCRIPTION

(52) **U.S. Cl.** **D25/124**

FIG. 1 is a perspective view of a window main frame extrusion, showing our new design, with a middle portion broken away to disclose indefinite length; and,

(58) **Field of Classification Search** D25/121, D25/122, 124, 125; 52/204.59, 204.1, 204.2, 52/204.5, 204.51, 656.5, 656.6, 213, 215, 52/208, 293.3, 204.97, 204.595, 204.71, 52/730.3, 656.2; 49/209, 501, 504, DIG. 2

FIG. 2 is an end view thereof, the opposite end view being a mirror image.

See application file for complete search history.

1 Claim, 1 Drawing Sheet

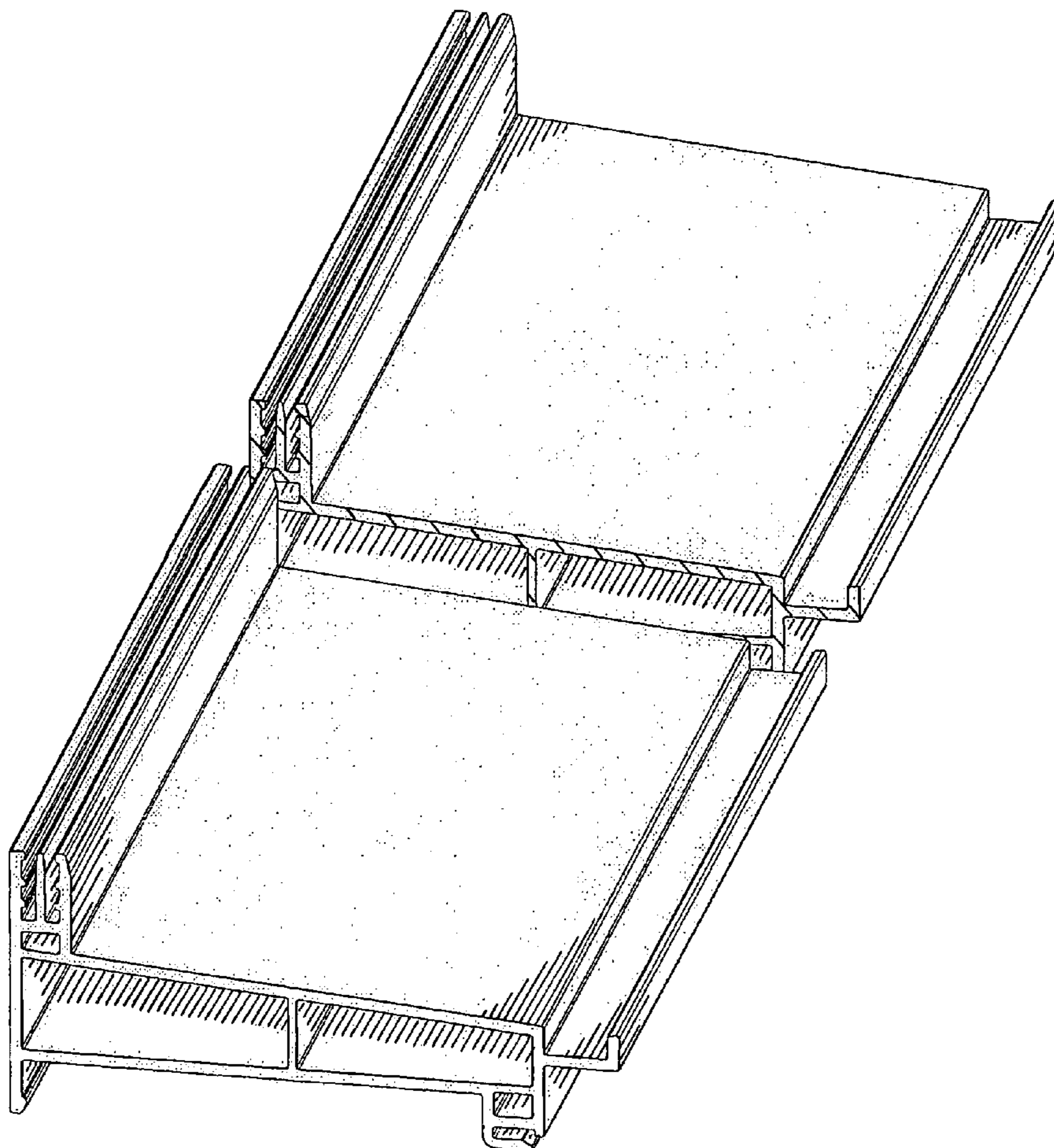


FIG-1

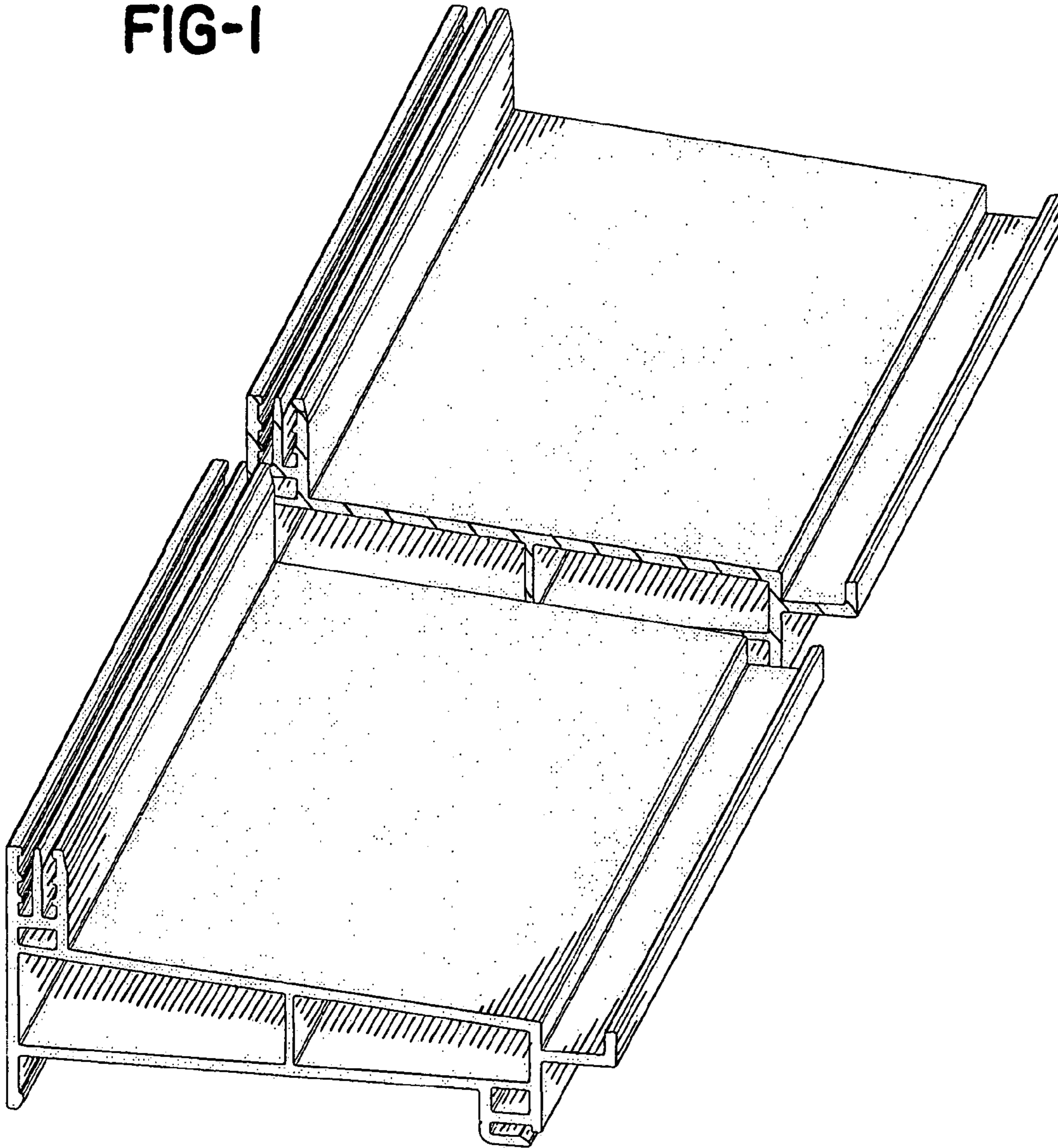


FIG-2

