

US00D576294S

(12) **United States Design Patent**
Morton et al.

(10) **Patent No.:** **US D576,294 S**

(45) **Date of Patent:** **** Sep. 2, 2008**

(54) **WINDOW MAIN FRAME EXTRUSION**

4,944,118 A * 7/1990 Biro 49/504

(75) Inventors: **Philip G. Morton**, Germantown, OH (US); **Christopher R. Ballard**, Miamisburg, OH (US)

D465,583 S * 11/2002 Ballard et al. D25/124

D476,090 S * 6/2003 Franson D25/124

(73) Assignee: **Deceuninck North America, LLC**, Monroe, OH (US)

* cited by examiner

(**) Term: **14 Years**

Primary Examiner—Doris Clark

(74) *Attorney, Agent, or Firm*—Jacox, Meckstroth & Jenkins

(21) Appl. No.: **29/289,595**

(57) **CLAIM**

(22) Filed: **Jul. 25, 2007**

The ornamental design of a window main frame extrusion, as shown and described.

(51) **LOC (8) Cl.** **25-01**

(52) **U.S. Cl.** **D25/124**

(58) **Field of Classification Search** D25/121, D25/122, 124, 125; 52/204.59, 204.1, 204.2, 52/204.5, 204.51, 656.5, 656.6, 213, 215, 52/208, 293.3, 204.97, 204.595, 204.71, 52/730.3, 656.2; 49/209, 501, 504, DIG. 2
See application file for complete search history.

DESCRIPTION

FIG. 1 is a perspective view of a window main frame extrusion, showing our new design, with a middle portion broken away to disclose indefinite length; and,

FIG. 2 is an end view thereof, the opposite end view being a mirror image.

(56) **References Cited**

U.S. PATENT DOCUMENTS

D285,612 S * 9/1986 Slocomb, Jr. D25/124

1 Claim, 1 Drawing Sheet

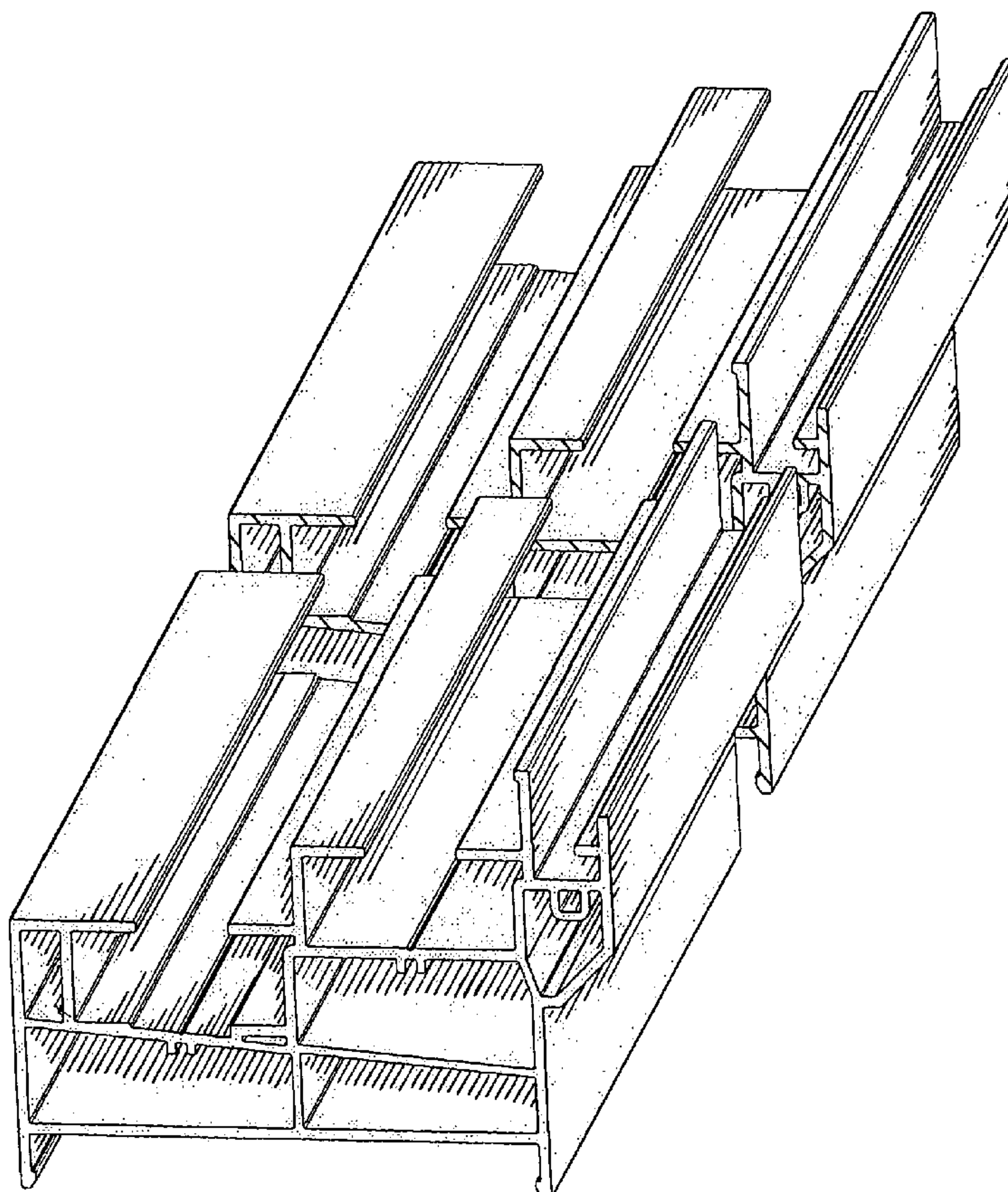


FIG-1

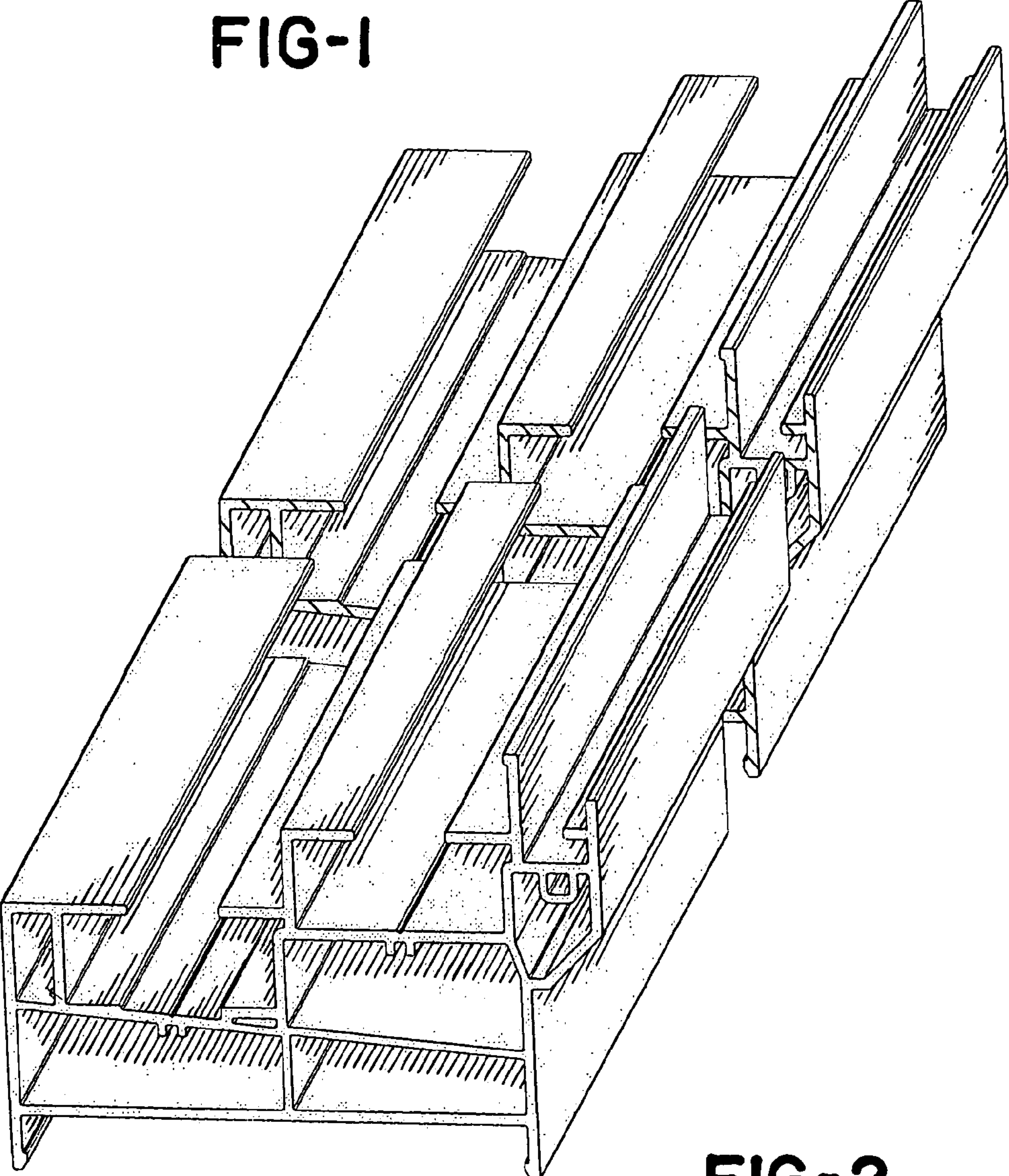


FIG-2

