



US00D576292S

(12) **United States Design Patent**
Brown

(10) **Patent No.:** **US D576,292 S**

(45) **Date of Patent:** **** Sep. 2, 2008**

(54) **LADDER PLATFORM**

6,637,548 B2 10/2003 Pass

D500,145 S * 12/2004 Cromberg D25/68

2003/0085074 A1 5/2003 Harmston

(76) **Inventor:** **Lawrence A. Brown**, 798 E. Brown Rd.,
Pekin, IN (US) 47165

* cited by examiner

(**) **Term:** **14 Years**

Primary Examiner—Doris Clark

(21) **Appl. No.:** **29/286,985**

(74) *Attorney, Agent, or Firm*—Carrithers Law Office, PLLC;
David W. Carrithers

(22) **Filed:** **May 24, 2007**

(57) **CLAIM**

(51) **LOC (8) Cl.** **25-04**

The ornamental design for a ladder platform, as shown and described.

(52) **U.S. Cl.** **D25/68**

(58) **Field of Classification Search** D25/68;
248/238, 210; 182/222, 116

DESCRIPTION

See application file for complete search history.

FIG. 1 is a perspective view of a ladder platform in accordance with my design;

(56) **References Cited**

U.S. PATENT DOCUMENTS

FIG. 2 is left side view thereof;

3,511,338	A	5/1970	Chapman	
4,425,985	A	1/1984	Geisel et al.	
4,730,802	A *	3/1988	Chatham et al. 248/238
5,429,205	A	7/1995	Collins	
5,836,420	A	11/1998	Marky, Jr.	
5,865,409	A *	2/1999	Nimer 248/210
5,975,240	A	11/1999	O'Brien	

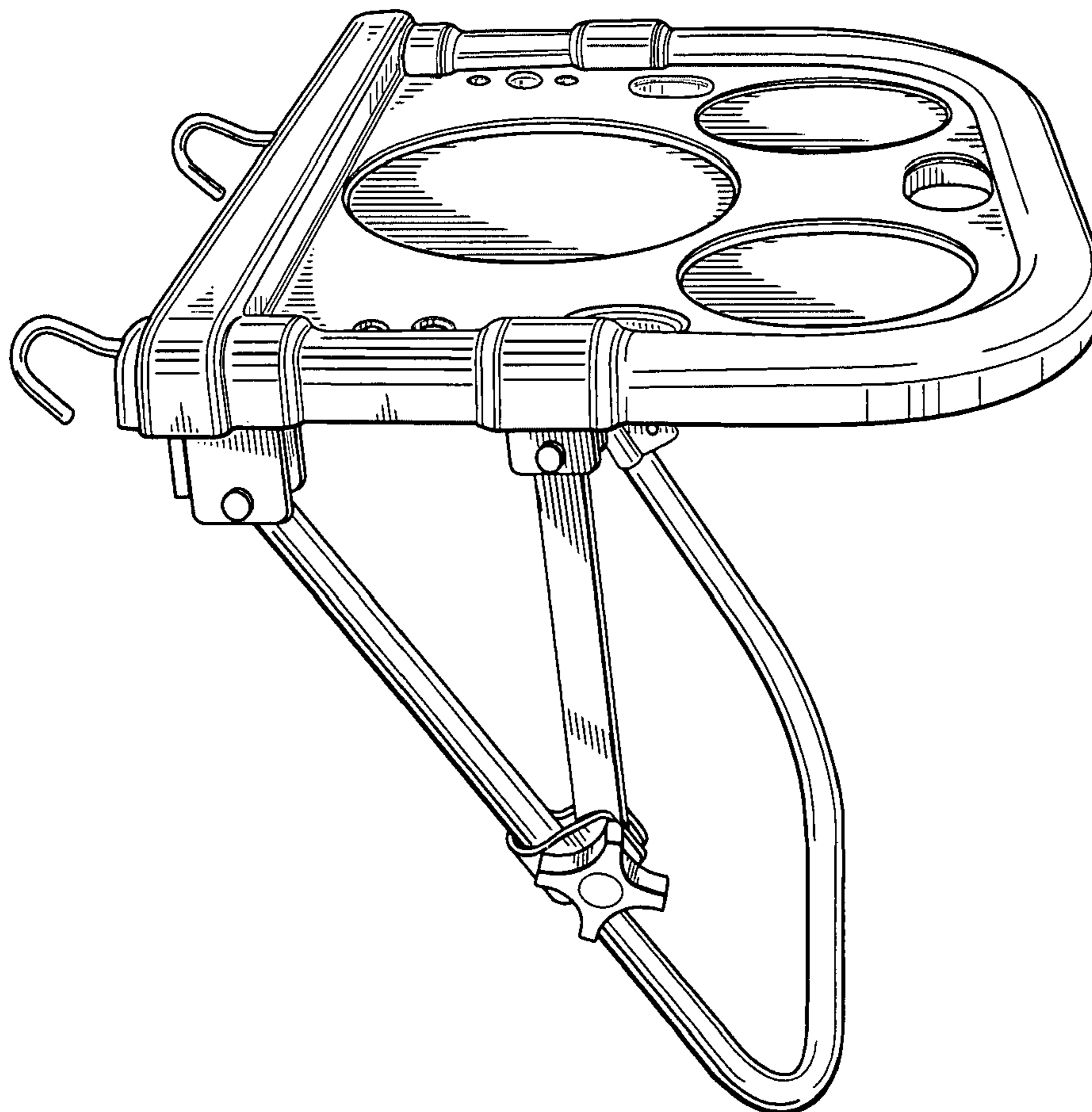
FIG. 3 is a top plan view thereof;

FIG. 4 is a bottom plan view thereof;

FIG. 5 is a front end view thereof; and,

FIG. 6 is a rear end view thereof.

1 Claim, 4 Drawing Sheets



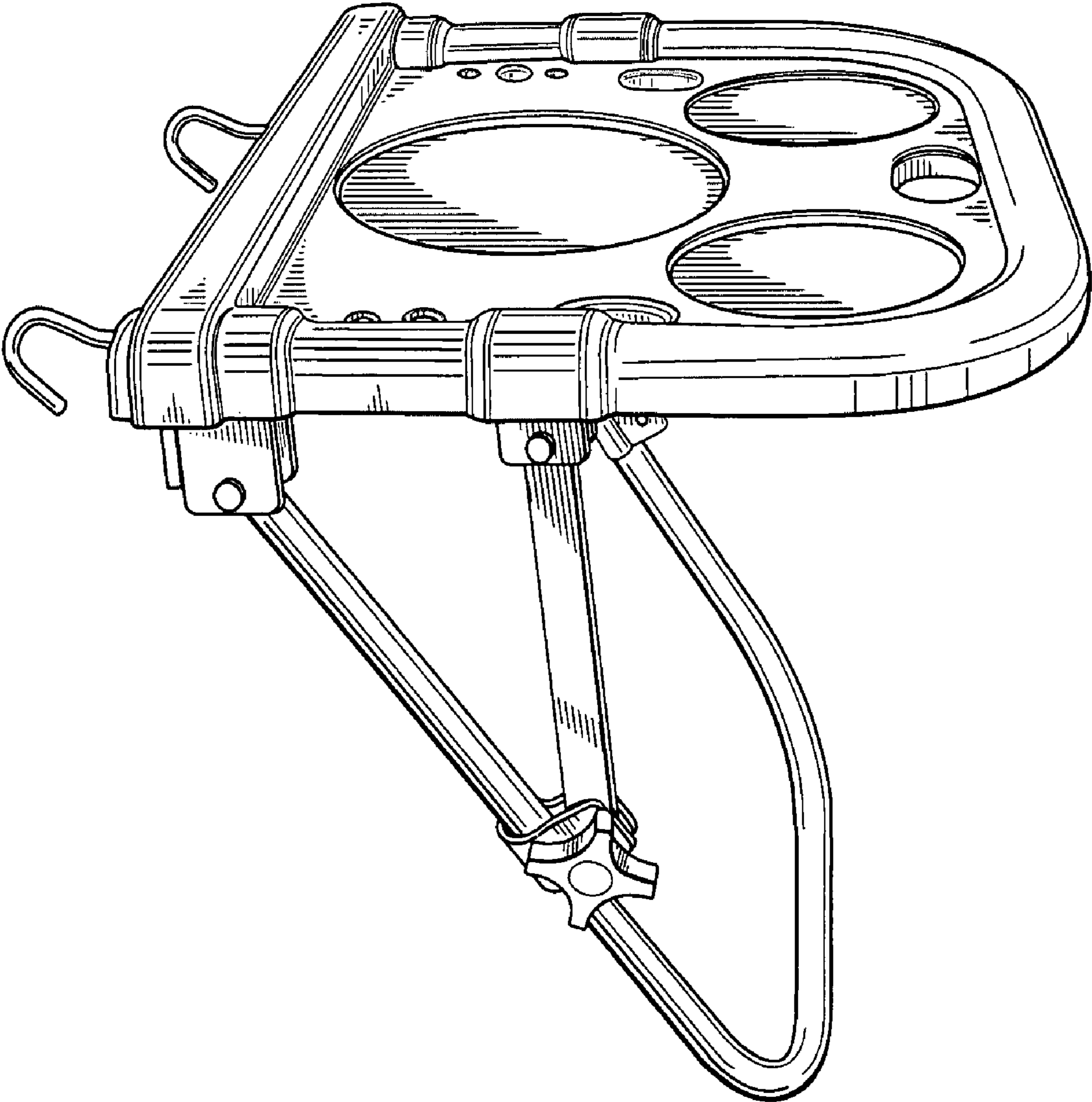
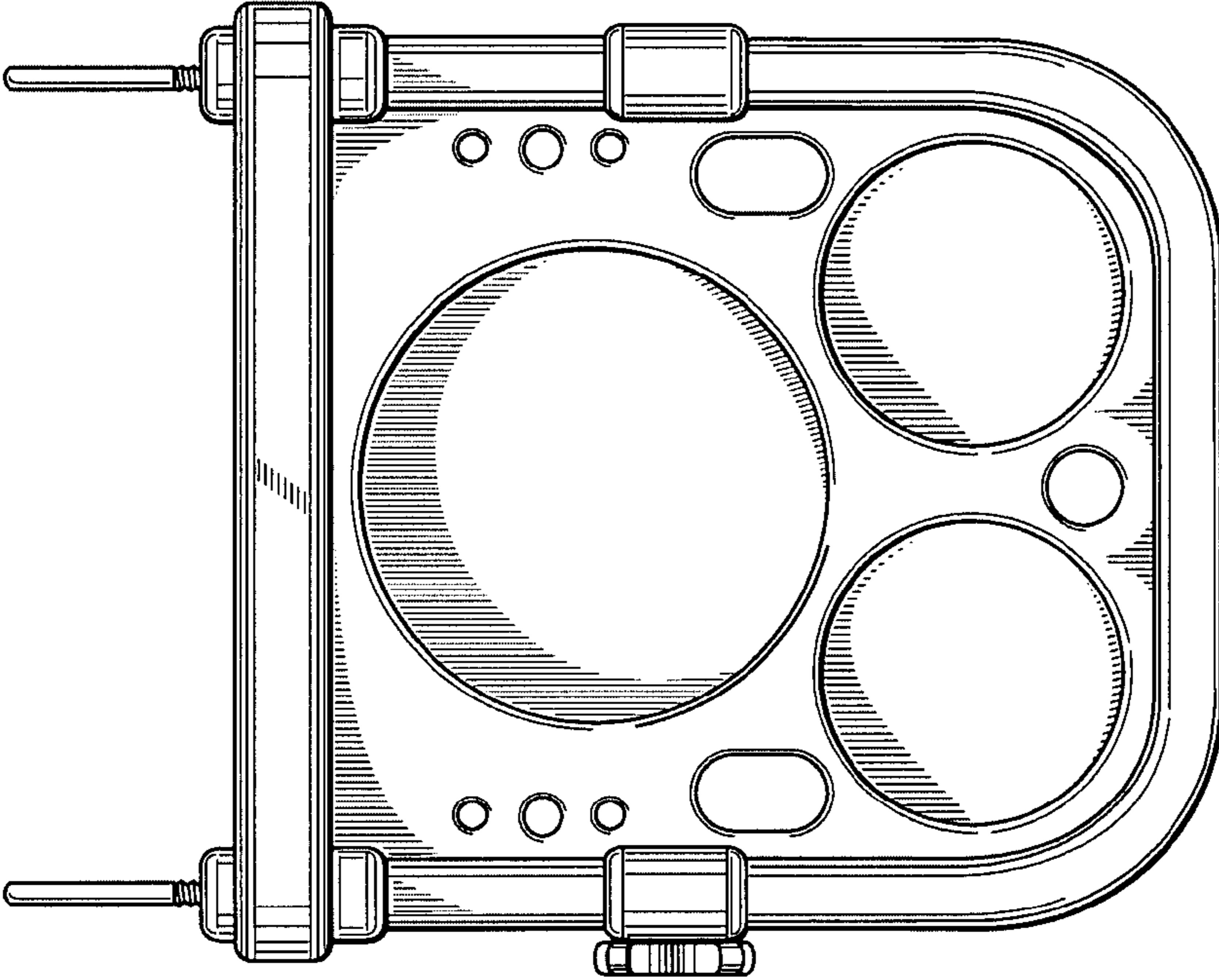
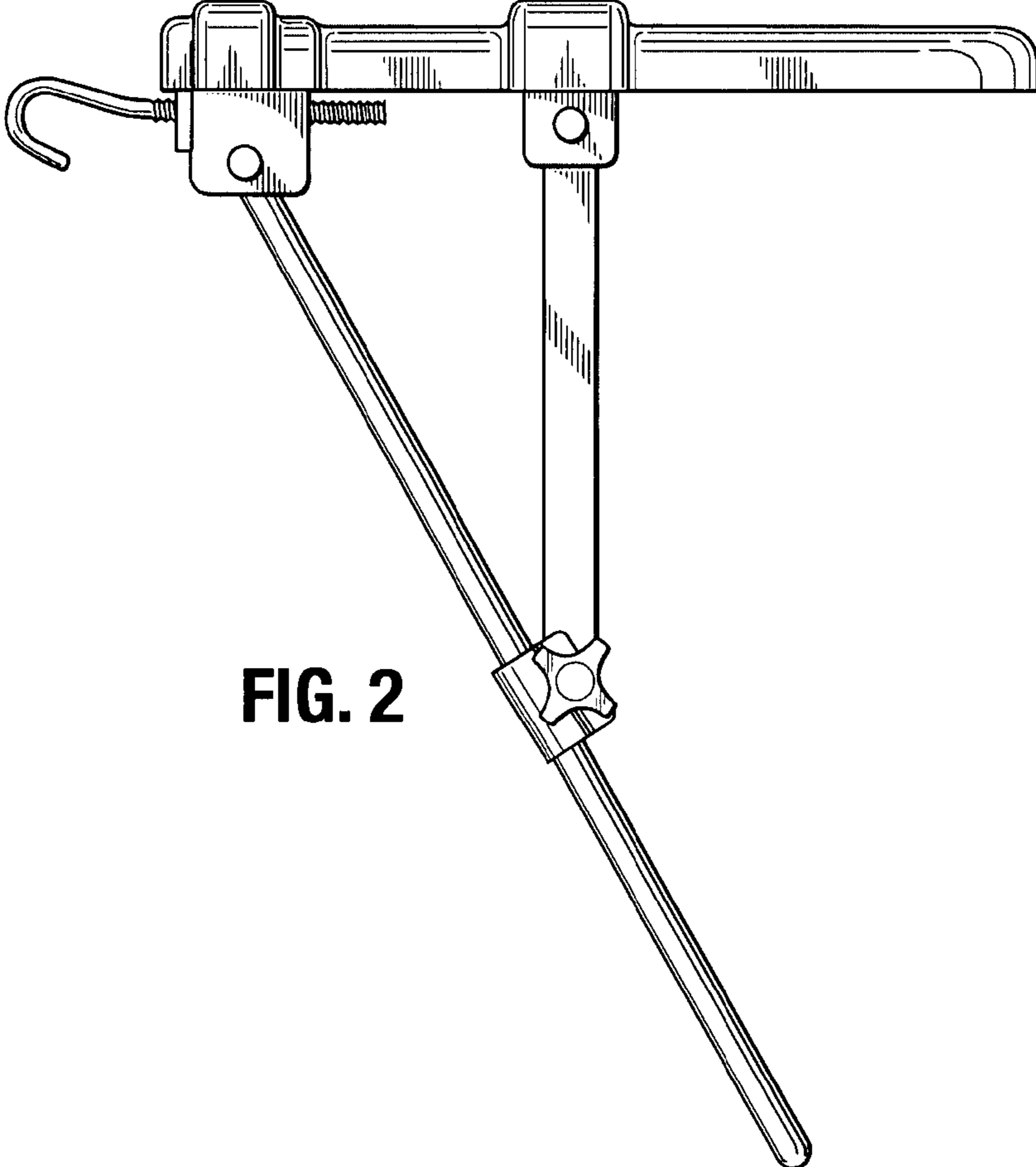


FIG. 1



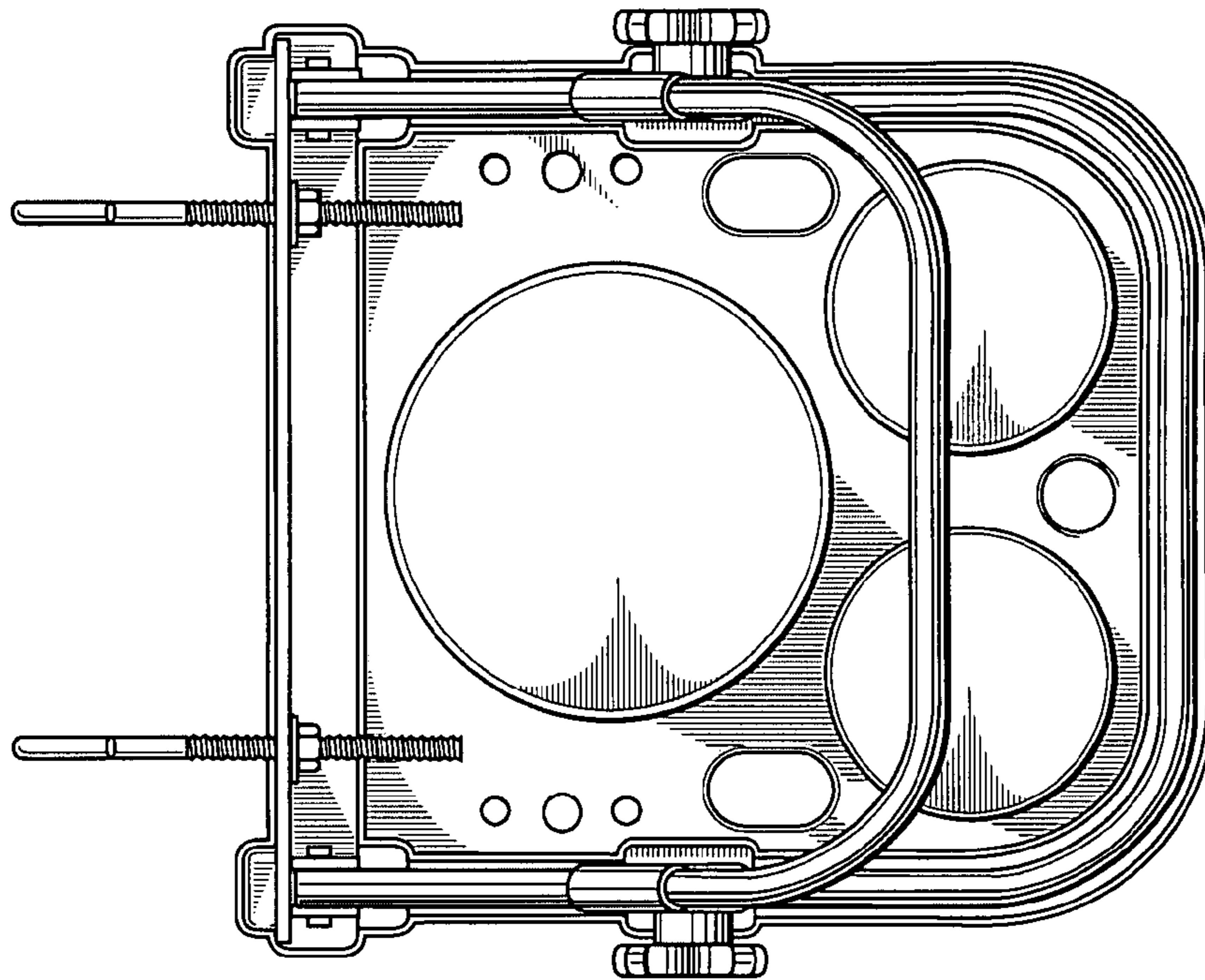


FIG. 4

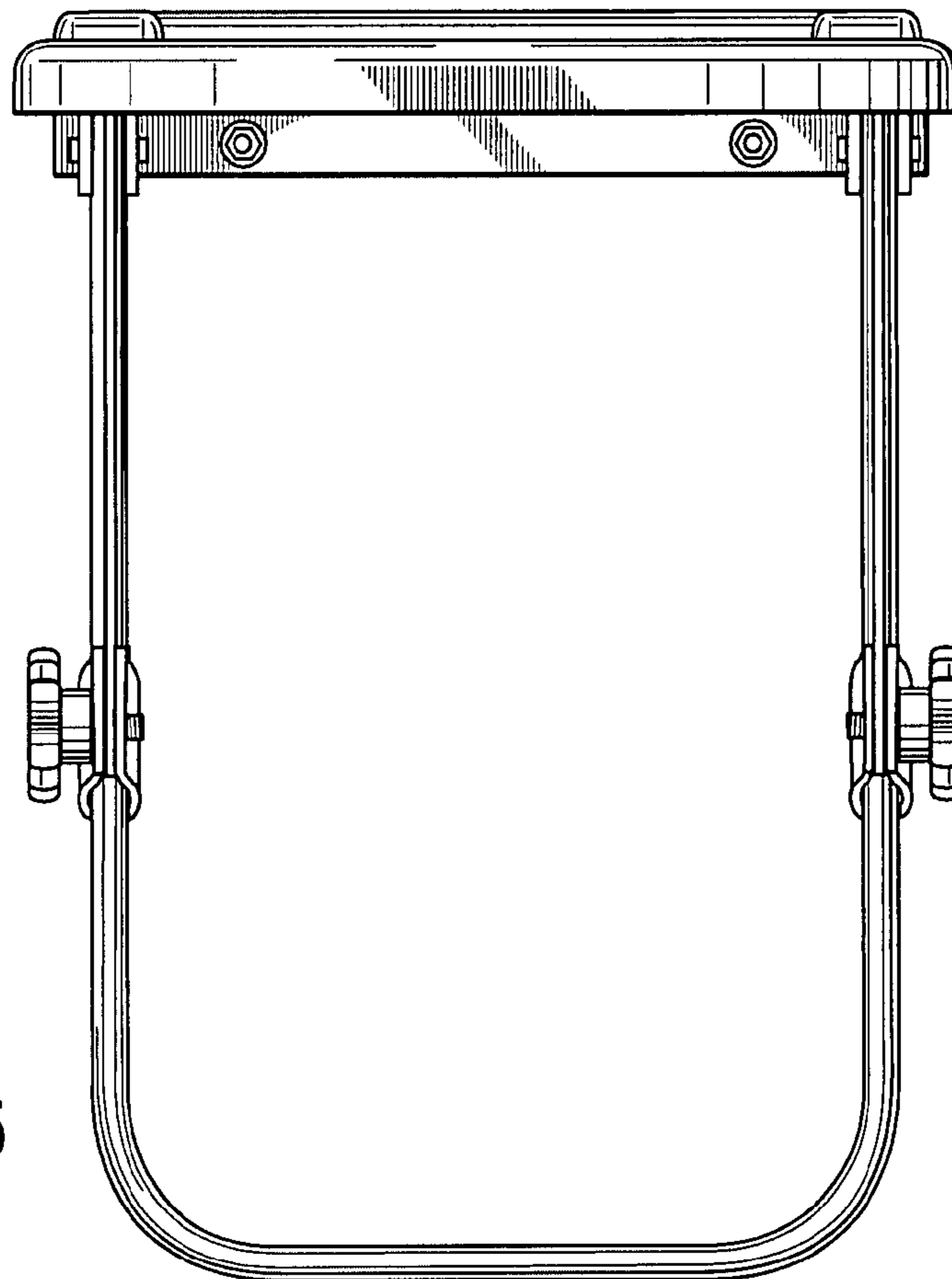


FIG. 5

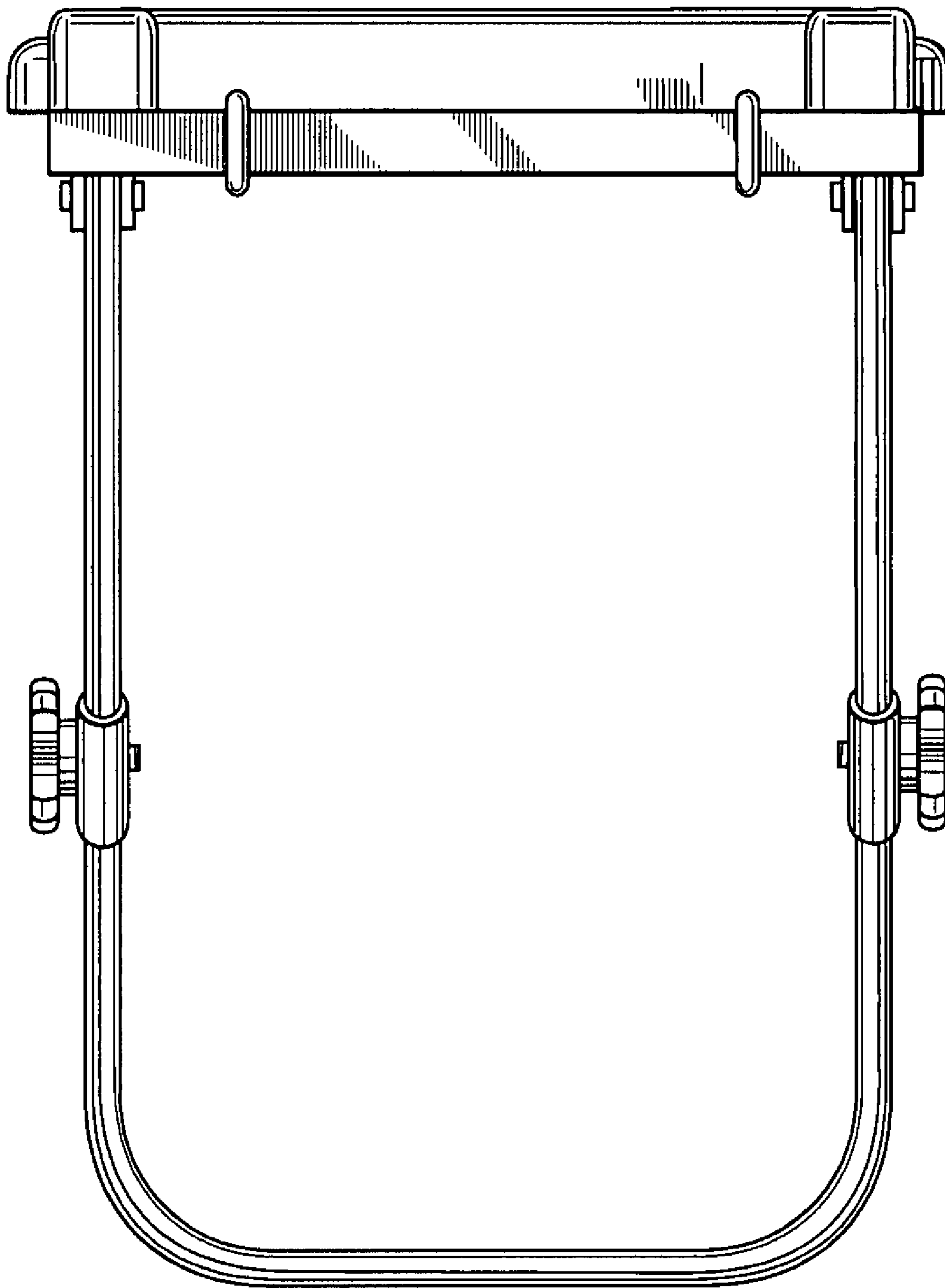


FIG. 6