

US00D576291S

(12) **United States Design Patent**  
**Latimer et al.**

(10) **Patent No.:** **US D576,291 S**  
(45) **Date of Patent:** **\*\* Sep. 2, 2008**

(54) **STEP STOOL**

D434,855 S \* 12/2000 Ullum et al. .... D25/65  
D455,842 S \* 4/2002 Rosko ..... D25/65

(75) Inventors: **Brett A. Latimer**, New Castle, PA (US);  
**Marcus J. Burzynski**, Lake Worth, FL  
(US); **Arti W. Lyde**, West Chicago, IL  
(US); **Dale R. King**, Greenville, PA  
(US); **Ben L. Eddy, Jr.**, Greenville, PA  
(US)

\* cited by examiner

*Primary Examiner*—Doris Clark  
(74) *Attorney, Agent, or Firm*—Ansel M. Schwartz

(73) Assignee: **Werner Co.**, Greenville, PA (US)

(\*\*) Term: **14 Years**

(21) Appl. No.: **29/286,382**

(22) Filed: **May 3, 2007**

(51) **LOC (8) Cl.** ..... **25-04**

(52) **U.S. Cl.** ..... **D25/65**

(58) **Field of Classification Search** ..... D25/63,  
D25/65; 182/22, 20, 33, 67.4

See application file for complete search history.

(56) **References Cited**

**U.S. PATENT DOCUMENTS**

4,440,264 A \* 4/1984 Knoke et al. .... 182/126

(57) **CLAIM**

We claim the ornamental design for a step stool, as shown and described.

**DESCRIPTION**

FIG. 1 is a right side elevational view of a step stool in an open position showing our new design;

FIG. 2 is a left side elevational view thereof;

FIG. 3 is a front elevational view thereof;

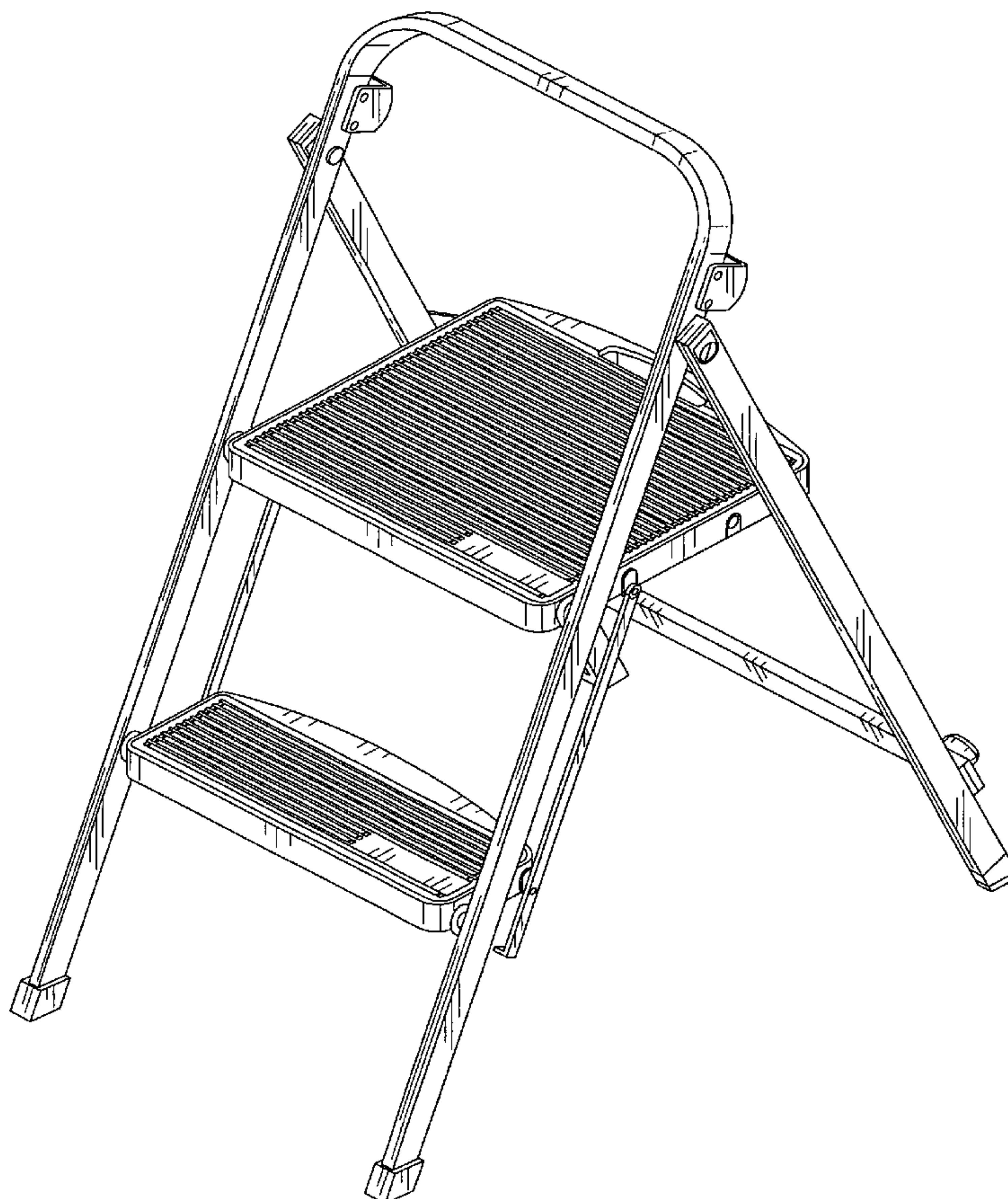
FIG. 4 is a rear elevational view thereof;

FIG. 5 is a top plan view thereof;

FIG. 6 is a bottom plan view thereof; and,

FIG. 7 is a front perspective view thereof.

**1 Claim, 7 Drawing Sheets**



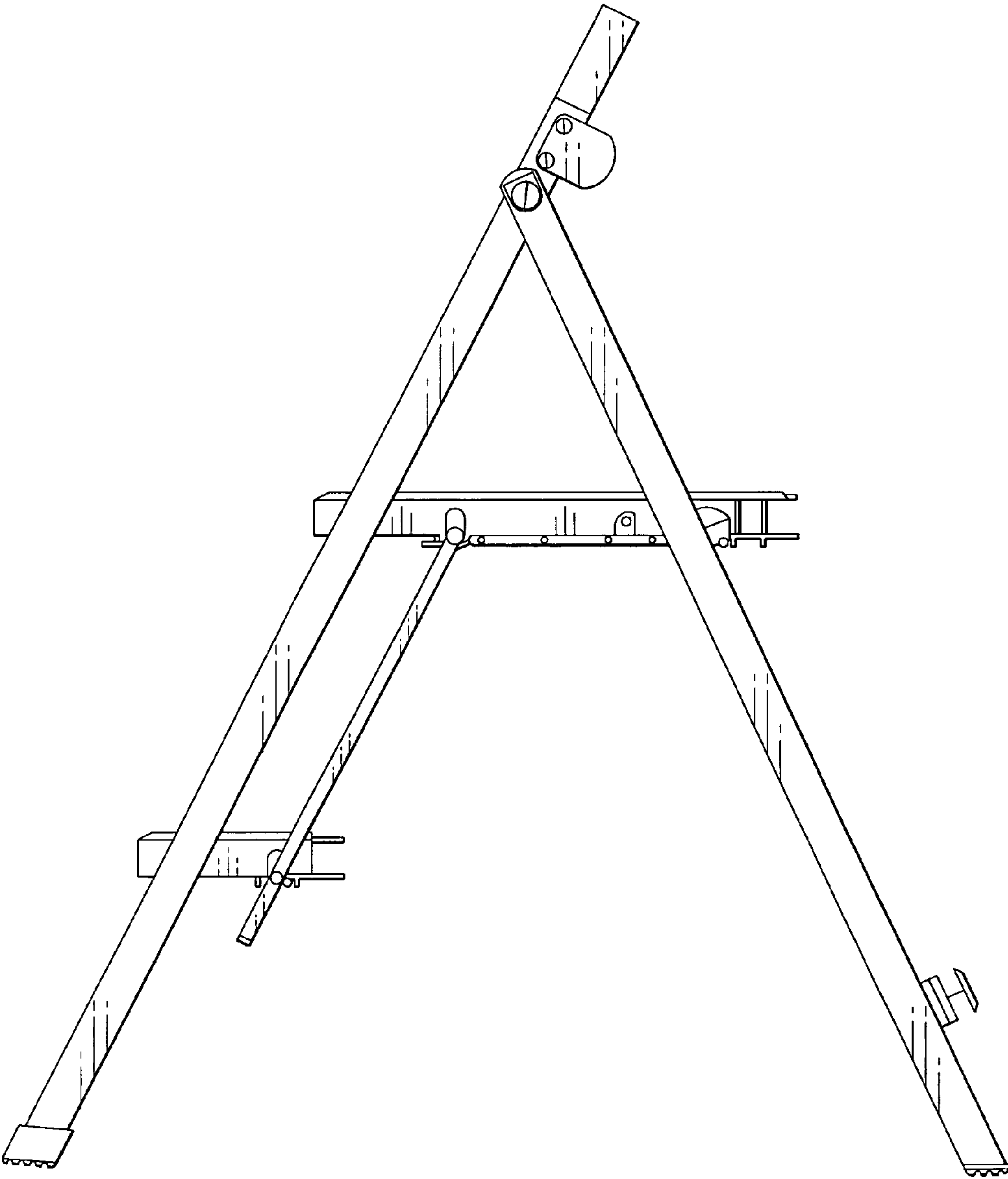


FIG. 1

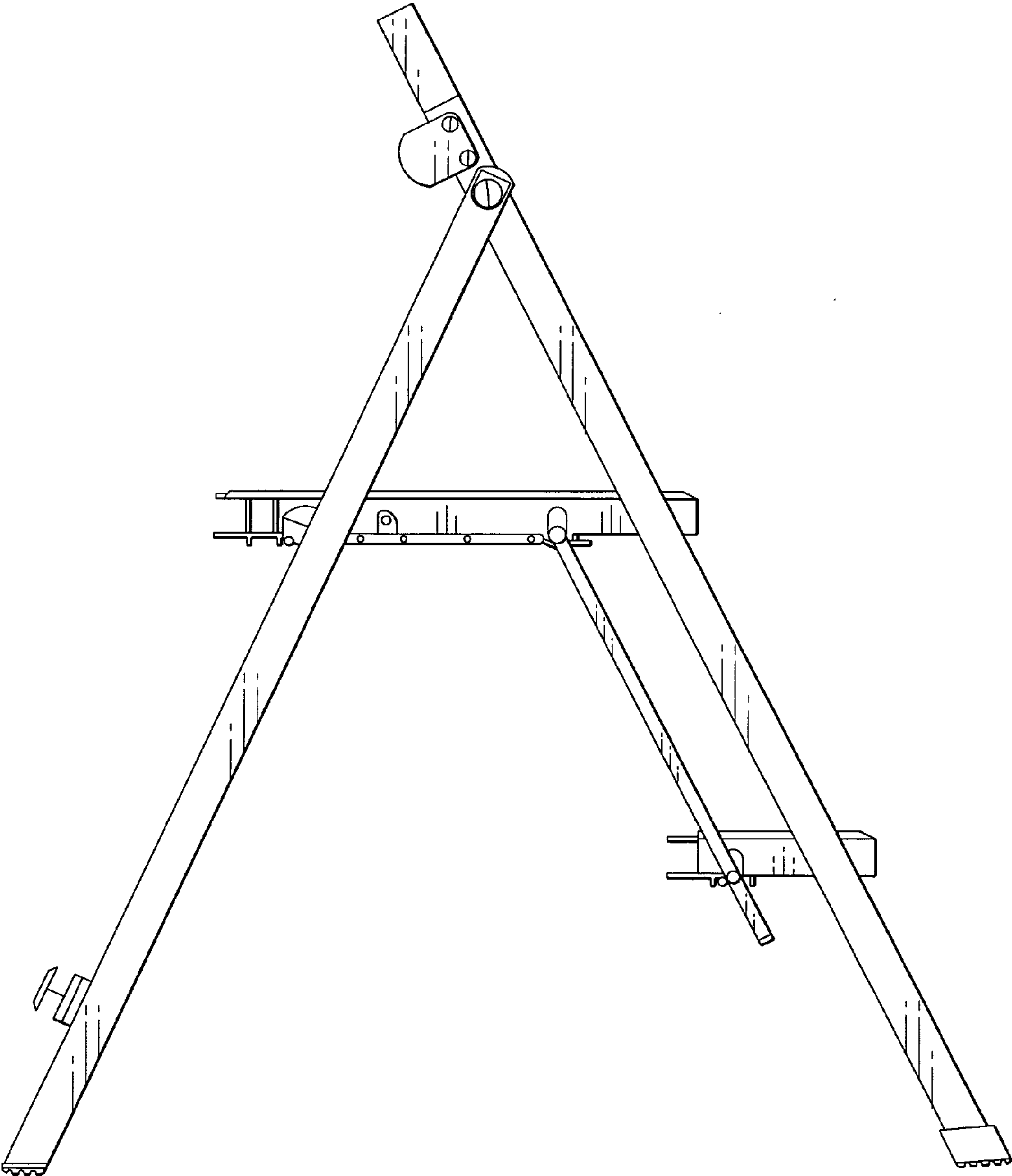


FIG.2

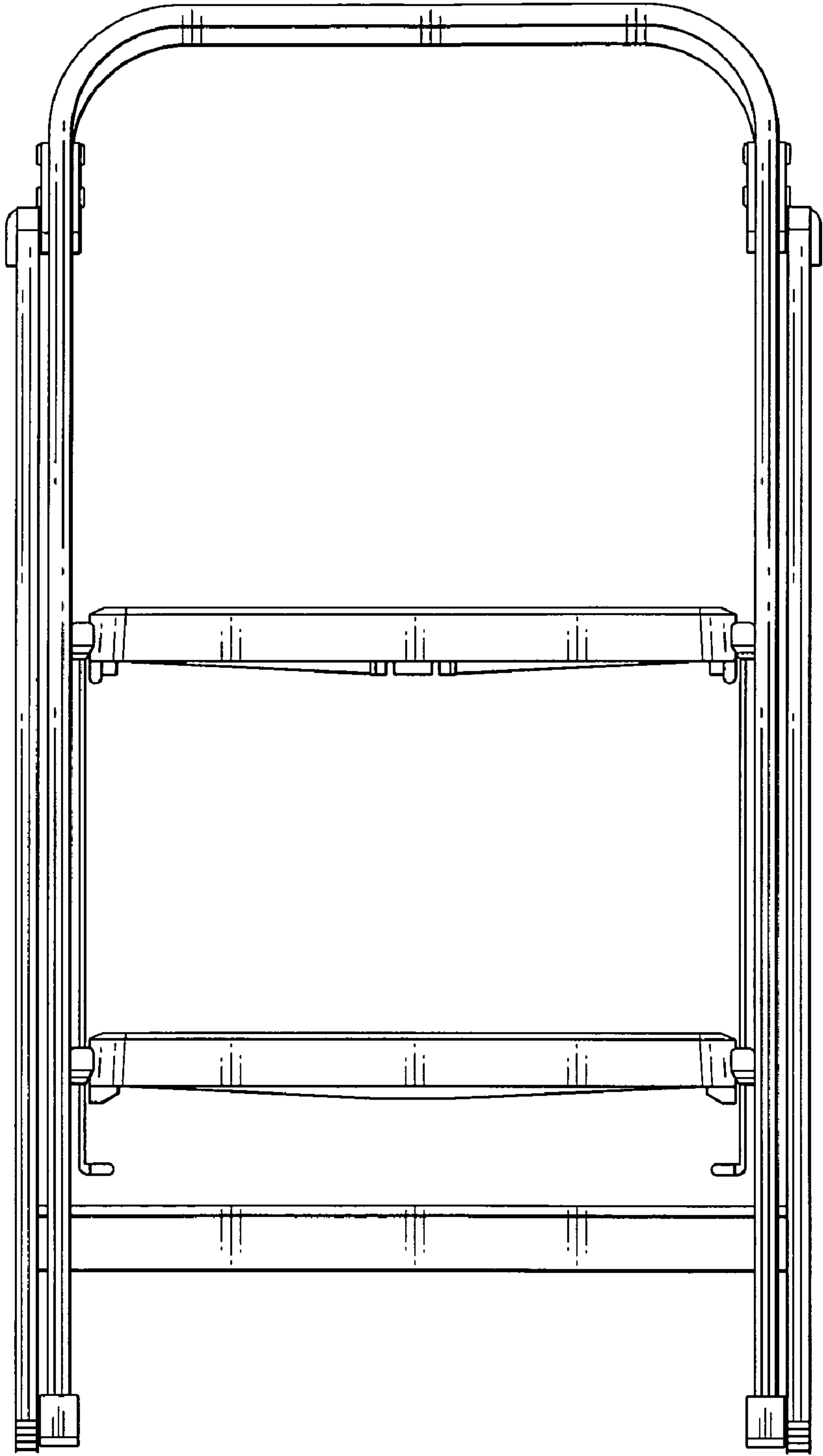


FIG. 3

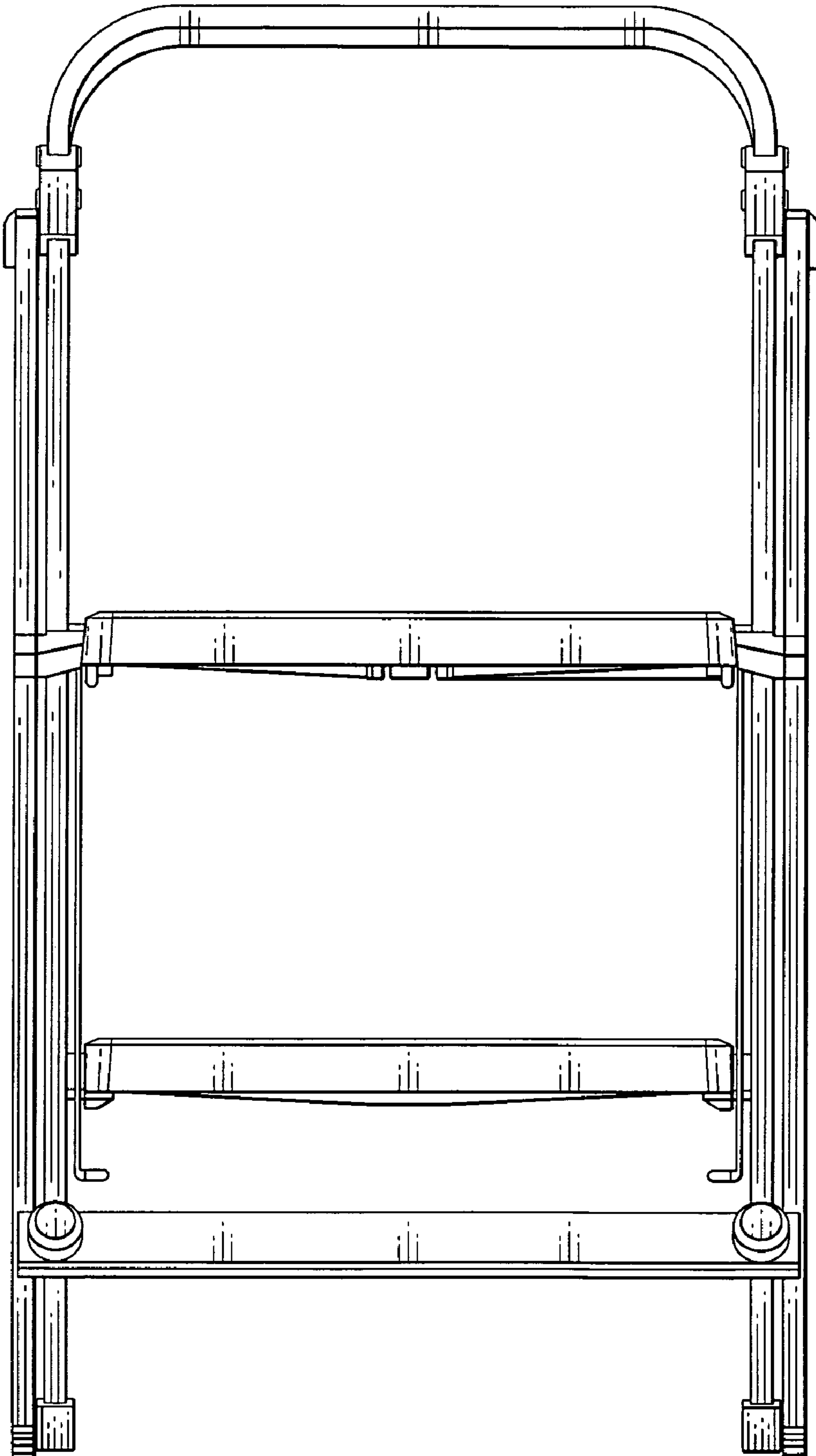


FIG. 4

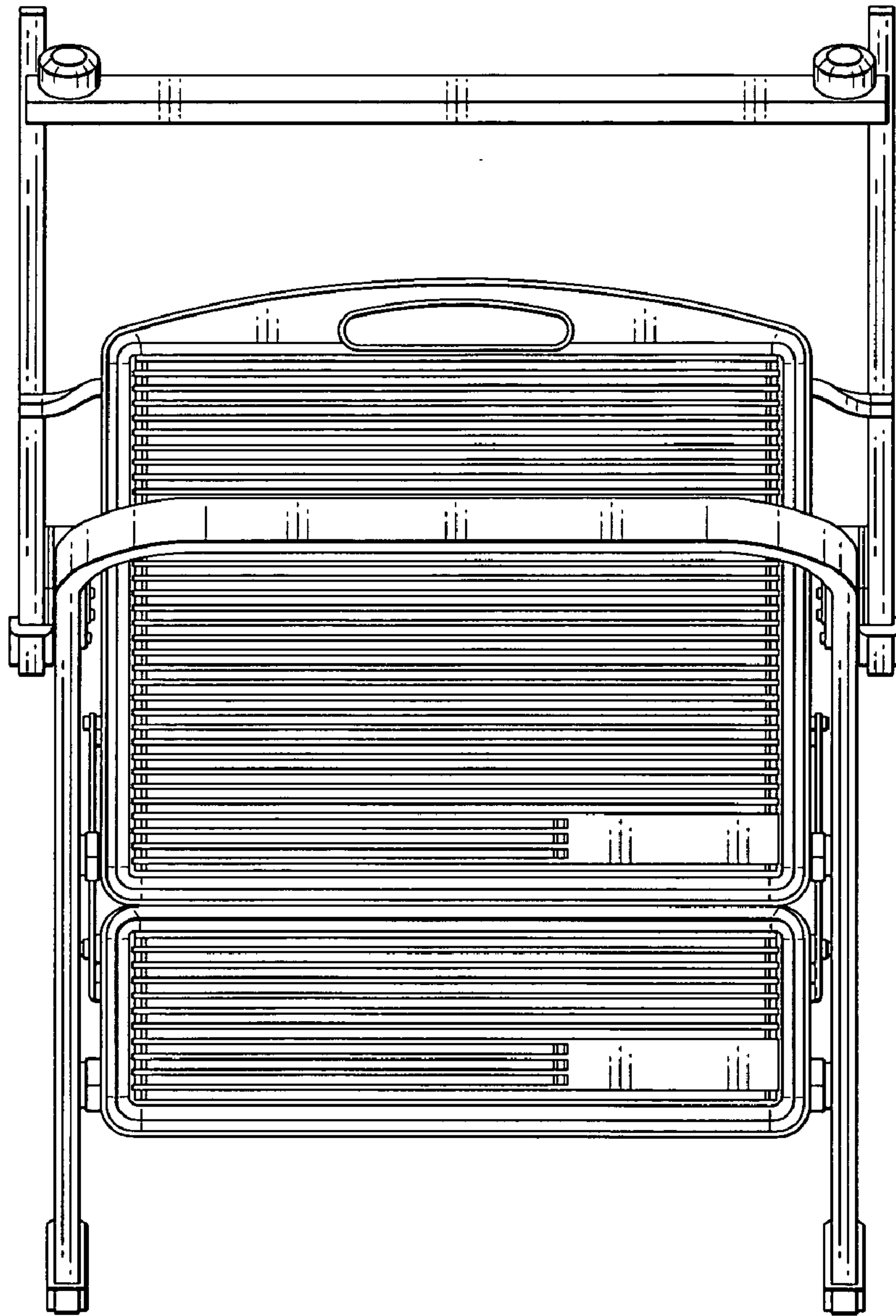


FIG. 5



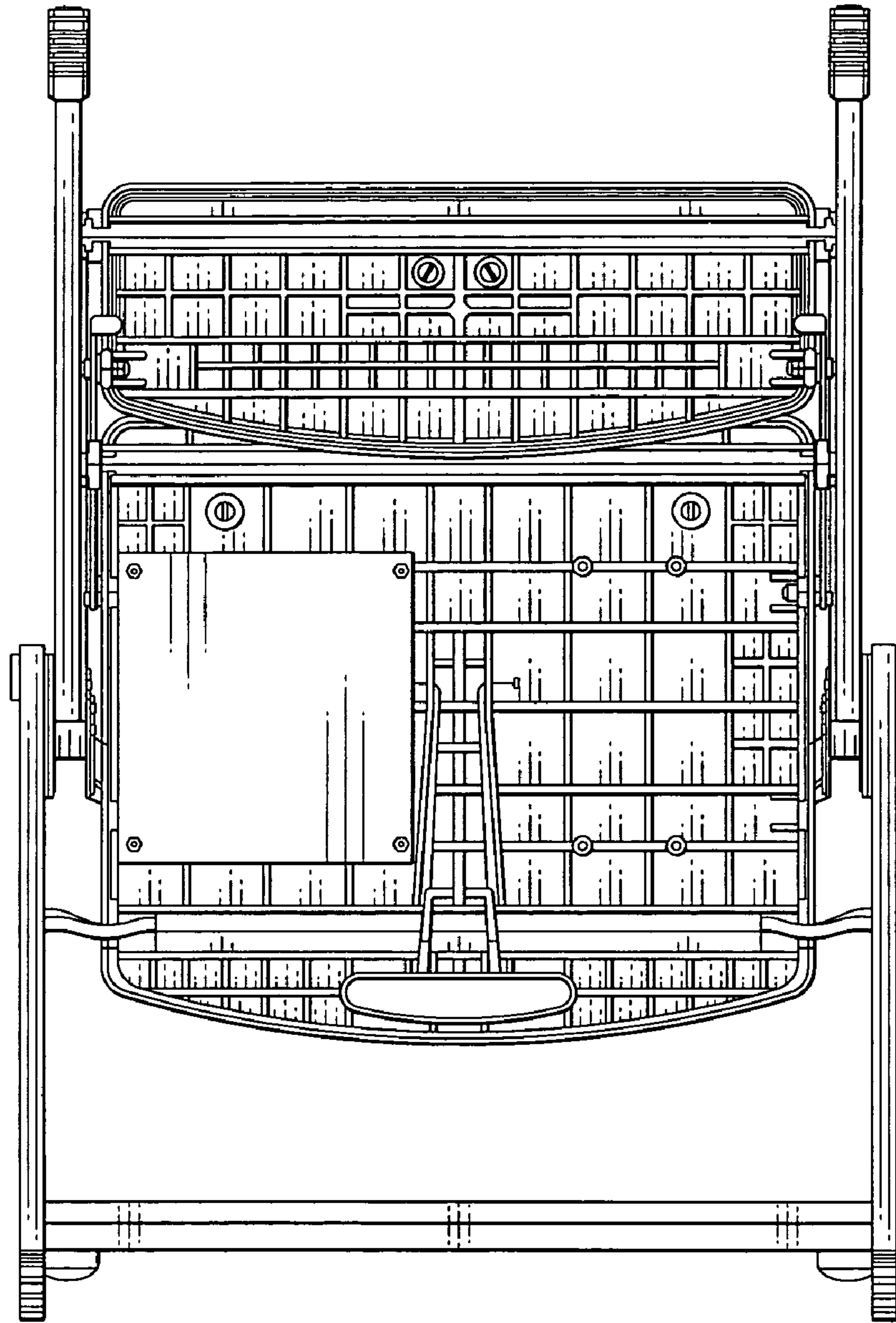


FIG. 6

