



US00D576290S

(12) **United States Design Patent**
Meyers et al.

(10) **Patent No.:** **US D576,290 S**
(45) **Date of Patent:** **** Sep. 2, 2008**

(54) **STEP LADDER**

(75) Inventors: **Thomas J. Meyers**, Greenwood, IN (US); **Paul F. Meyers**, Fishers, IN (US)

(73) Assignee: **Cosco Management, Inc.**, Wilmington, DE (US)

(**) Term: **14 Years**

(21) Appl. No.: **29/246,770**

(22) Filed: **May 9, 2006**

(51) **LOC (8) Cl.** **25-04**

(52) **U.S. Cl.** **D25/64**

(58) **Field of Classification Search** D25/68,
D25/69, 64, 63; 182/151, 107, 21, 180.1,
182/194, 130, 132, 67.4, 152, 156, 157, 161,
182/129, 230; 248/210, 238

See application file for complete search history.

(56) **References Cited**

U.S. PATENT DOCUMENTS

4,204,587	A *	5/1980	Larson	182/228.1
4,371,055	A *	2/1983	Ashton et al.	182/46
4,560,030	A *	12/1985	Mucelli	182/118
4,834,216	A *	5/1989	Wallick et al.	182/165
D331,289	S *	11/1992	Davis	D25/68
D388,882	S	1/1998	Kain		
5,722,507	A	3/1998	Kain		

6,000,497	A	12/1999	Kain et al.
D433,156	S	10/2000	Gibson et al.
D444,574	S	7/2001	Gibson et al.
D449,385	S	10/2001	Rosko
6,390,238	B1	5/2002	Gibson et al.
6,427,805	B1	8/2002	Gibson et al.
6,443,261	B1	9/2002	Gibson et al.
D466,225	S	11/2002	Rosko
6,536,557	B2	3/2003	Gibson et al.
6,550,579	B2	4/2003	Gibson et al.

* cited by examiner

Primary Examiner—Doris Clark

(74) *Attorney, Agent, or Firm*—Barnes & Thornburn LLP

(57) **CLAIM**

The ornamental design for a step ladder, as shown and described.

DESCRIPTION

FIG. 1 is a perspective view of a step ladder illustrating our new design;

FIG. 2 is a front elevation view thereof;

FIG. 3 is a right-side elevation view thereof;

FIG. 4 is a left-side elevation view thereof;

FIG. 5 is a rear elevation view thereof; and,

FIG. 6 is a top plan view thereof.

1 Claim, 5 Drawing Sheets



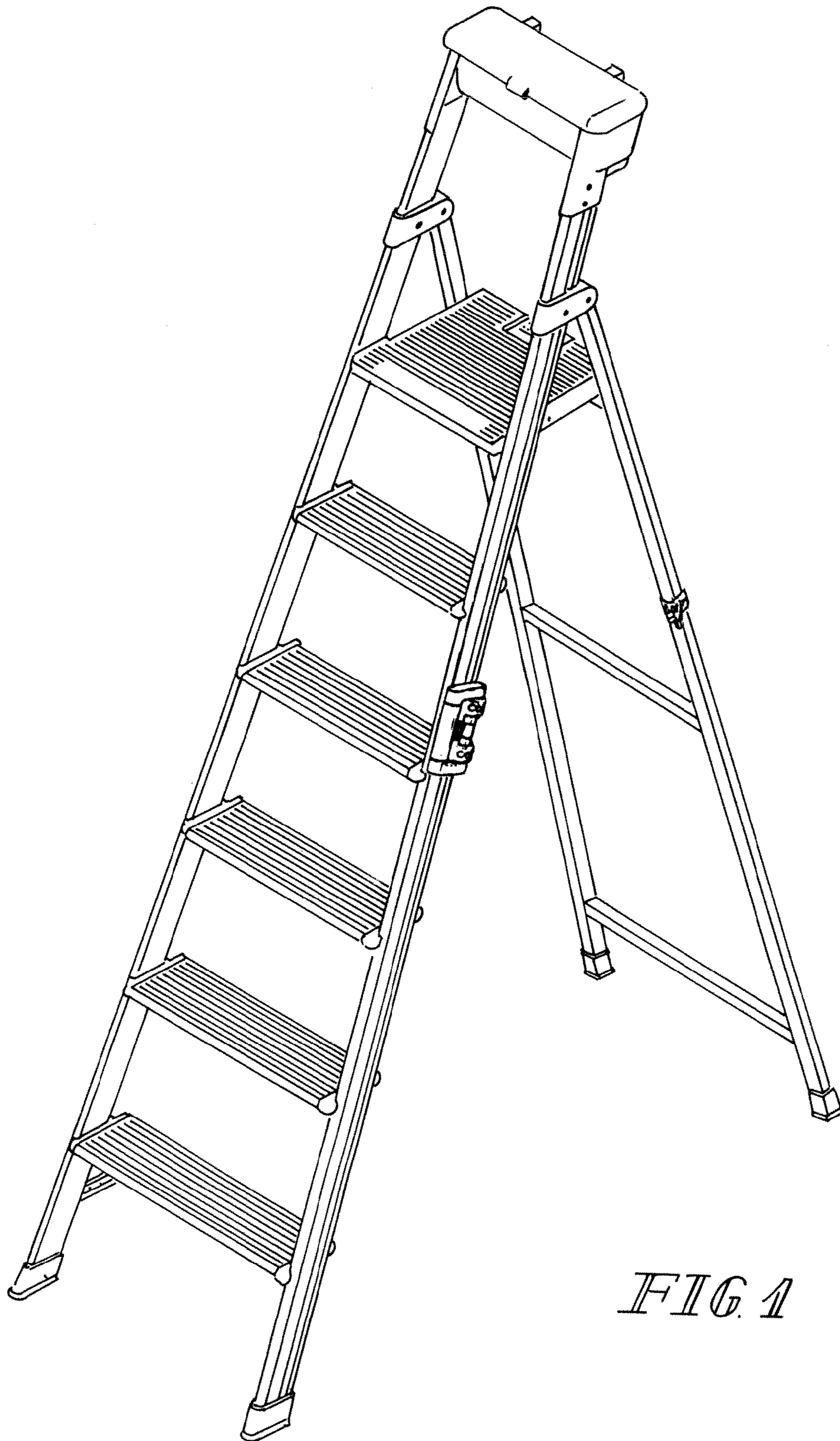


FIG. 1

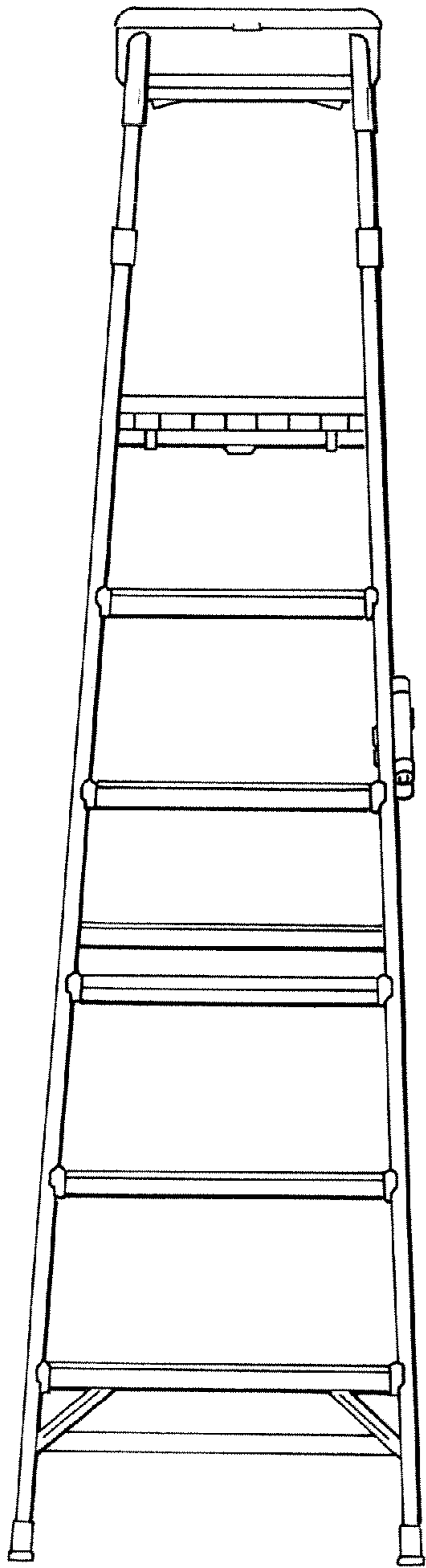


FIG 2

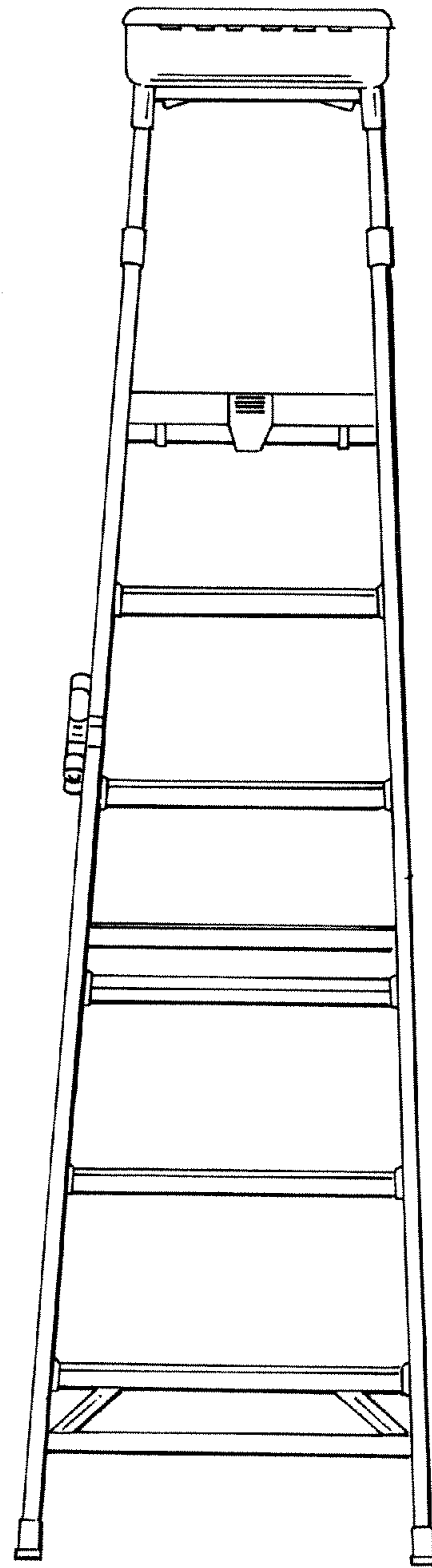


FIG 5

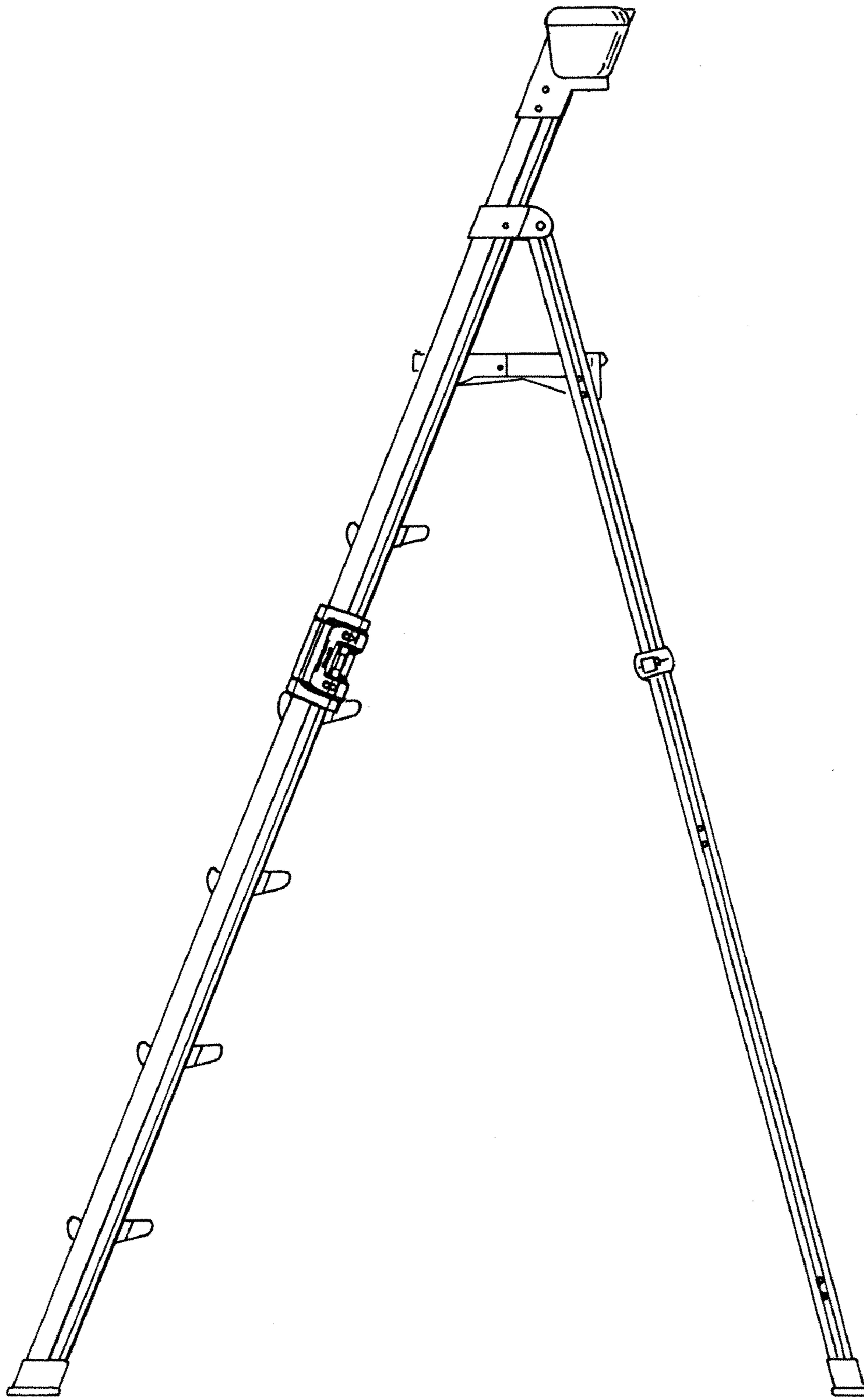


FIG 3

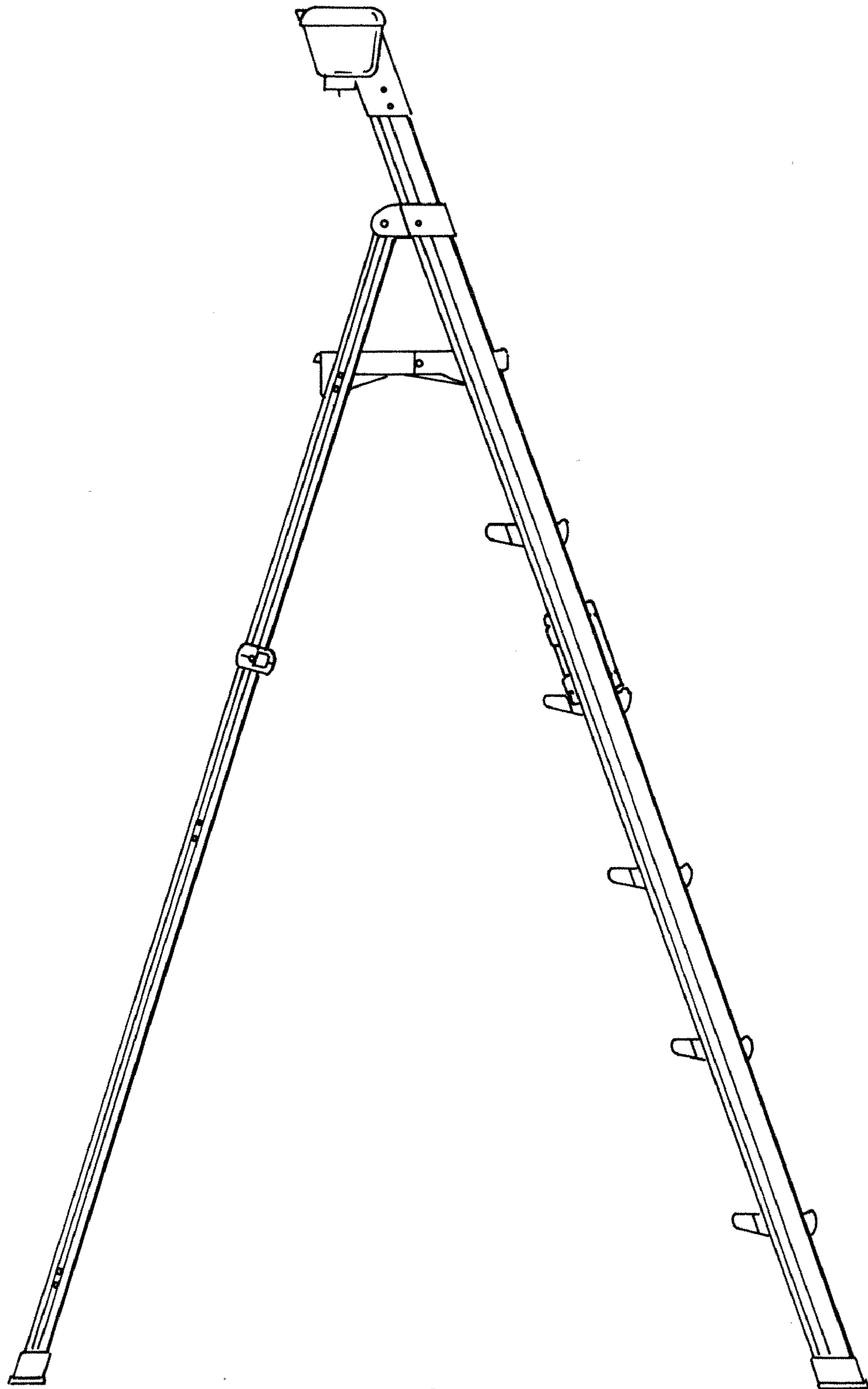


FIG 4

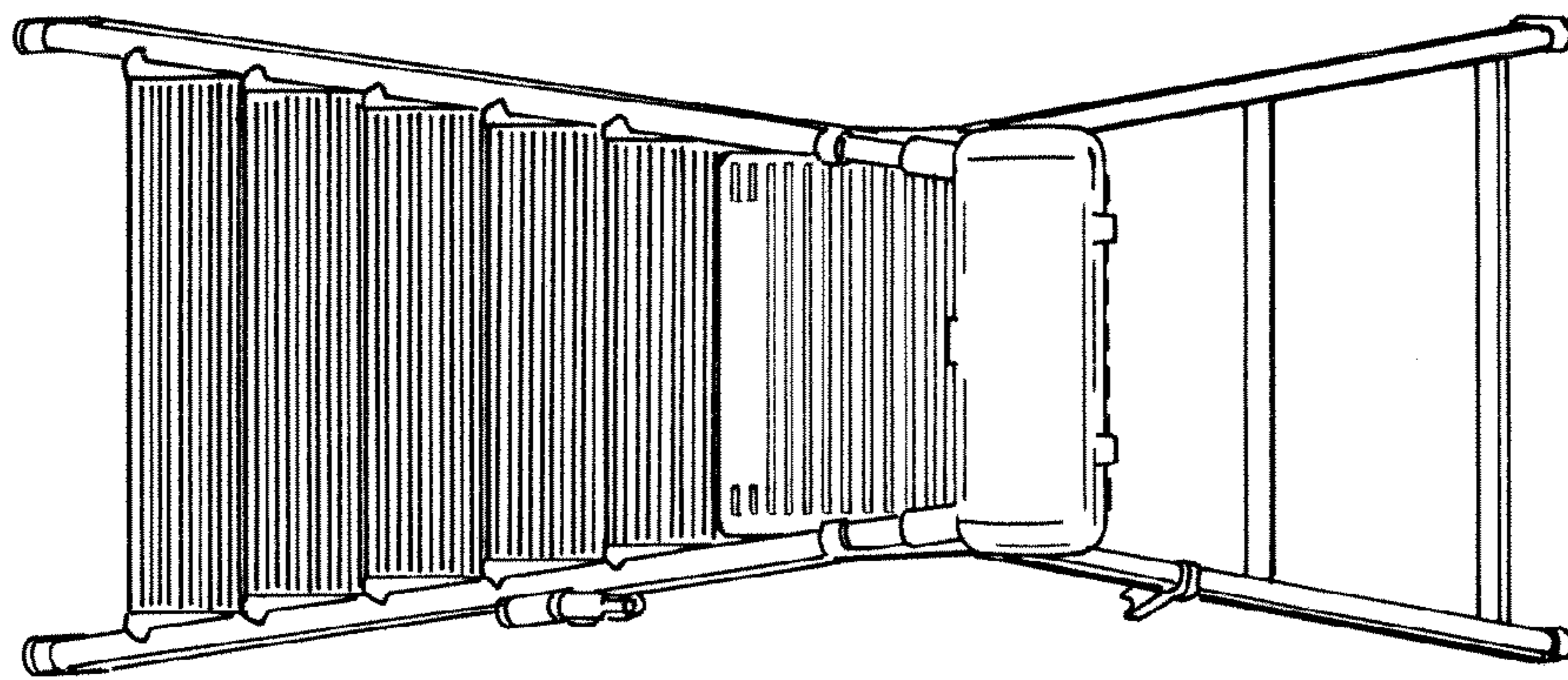


FIG 6