



US00D576286S

(12) **United States Design Patent**  
**Yoon et al.**

(10) **Patent No.:** **US D576,286 S**  
(45) **Date of Patent:** **\*\* Sep. 2, 2008**

(54) **VACUUMIZED PACKAGE FOR PCR TUBES**

(75) Inventors: **Seongjun Yoon**, Seoul (KR); **Jisung Park**, Sungnam-Si (KR); **Bona Park**, Sungnam-Si (KR); **Sanghyeon Kang**, Seoul (KR)

(73) Assignee: **iNtRON Biotechnology, Inc.**, Sungnam-Si (KR)

(\*\*) Term: **14 Years**

(21) Appl. No.: **29/272,282**

(22) Filed: **Feb. 5, 2007**

(30) **Foreign Application Priority Data**

Sep. 14, 2006 (KR) ..... 30-2006-0037956

(51) **LOC (8) Cl.** ..... **24-01**

(52) **U.S. Cl.** ..... **D24/224**

(58) **Field of Classification Search** ..... D24/216-230;  
422/100-104; 435/305.1, 305.2; D6/567,  
D6/570, 573; D3/203.1; D9/456, 732; 206/479,  
206/497

See application file for complete search history.

(56) **References Cited**

**U.S. PATENT DOCUMENTS**

D172,596 S \* 7/1954 Harper ..... D24/229  
D189,404 S \* 12/1960 Nicolle ..... D24/230  
D231,444 S \* 4/1974 Seltz et al. .... D24/230

4,342,390 A \* 8/1982 Mitchell et al. .... D24/217  
D270,301 S \* 8/1983 Dafoe et al. .... D3/203.1  
D330,331 S \* 10/1992 Hsiao ..... D9/732  
D420,746 S \* 2/2000 Cardy ..... D24/225  
D436,668 S \* 1/2001 Cardy et al. .... D24/225  
D445,907 S \* 7/2001 Monks ..... D24/224

\* cited by examiner

*Primary Examiner*—Louis S Zarfaz

*Assistant Examiner*—Anhdao Doan

(74) *Attorney, Agent, or Firm*—Ballard Spahr

(57) **CLAIM**

The vacuumized package for PCR tubes, as shown and described.

**DESCRIPTION**

FIG. 1 is a perspective view of vacuumized package for PCR tubes, showing the new design;

FIG. 2 is a top plan view thereof;

FIG. 3 is a bottom plan view thereof;

FIG. 4 is a front elevation view thereof;

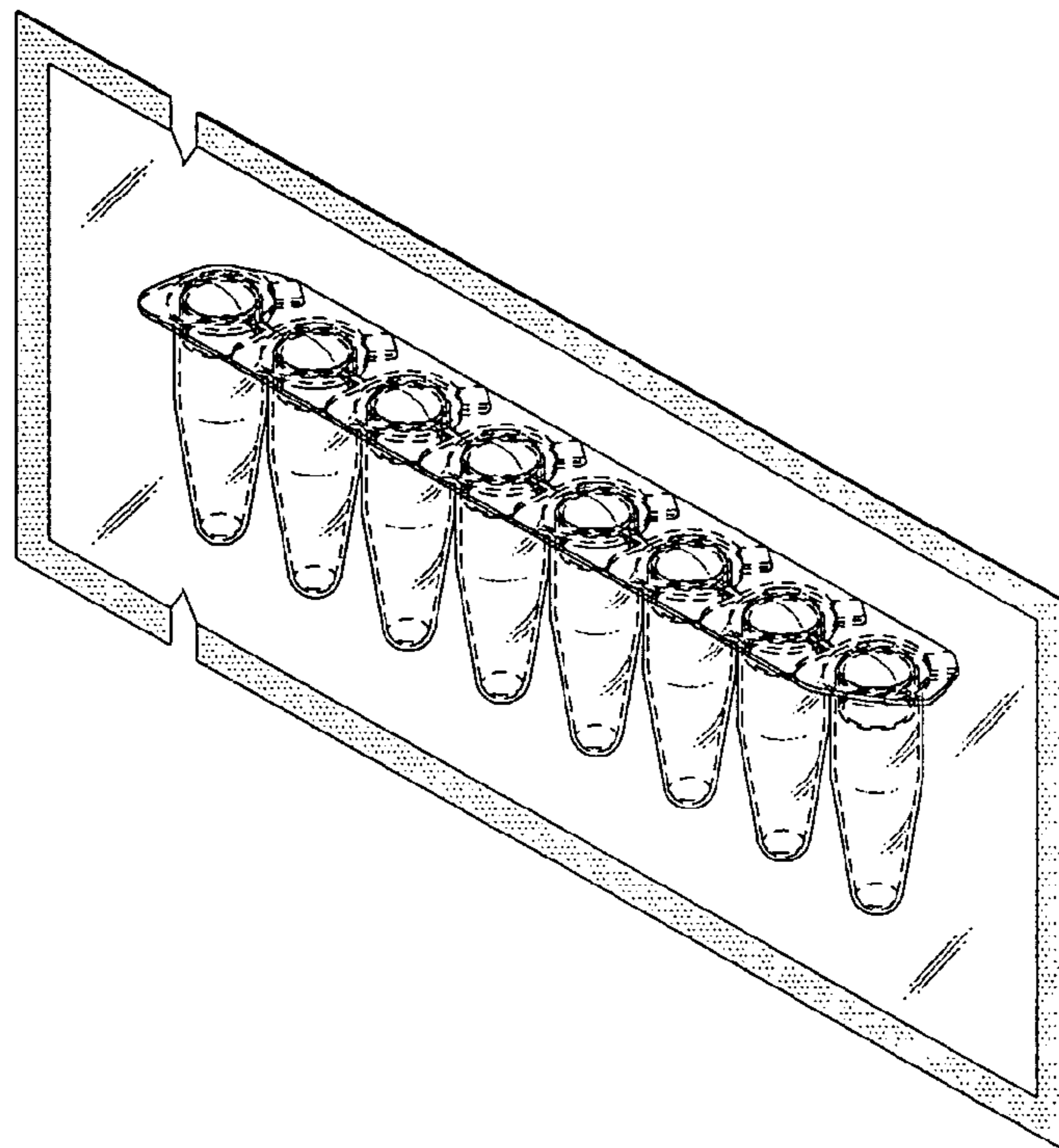
FIG. 5 is a rear elevation view thereof;

FIG. 6 is a right-side elevation view thereof; and,

FIG. 7 is a left-side elevation view thereof.

The broken lines in the drawings depict unclaimed environment subject matter and form no part of the claimed design.

**1 Claim, 3 Drawing Sheets**



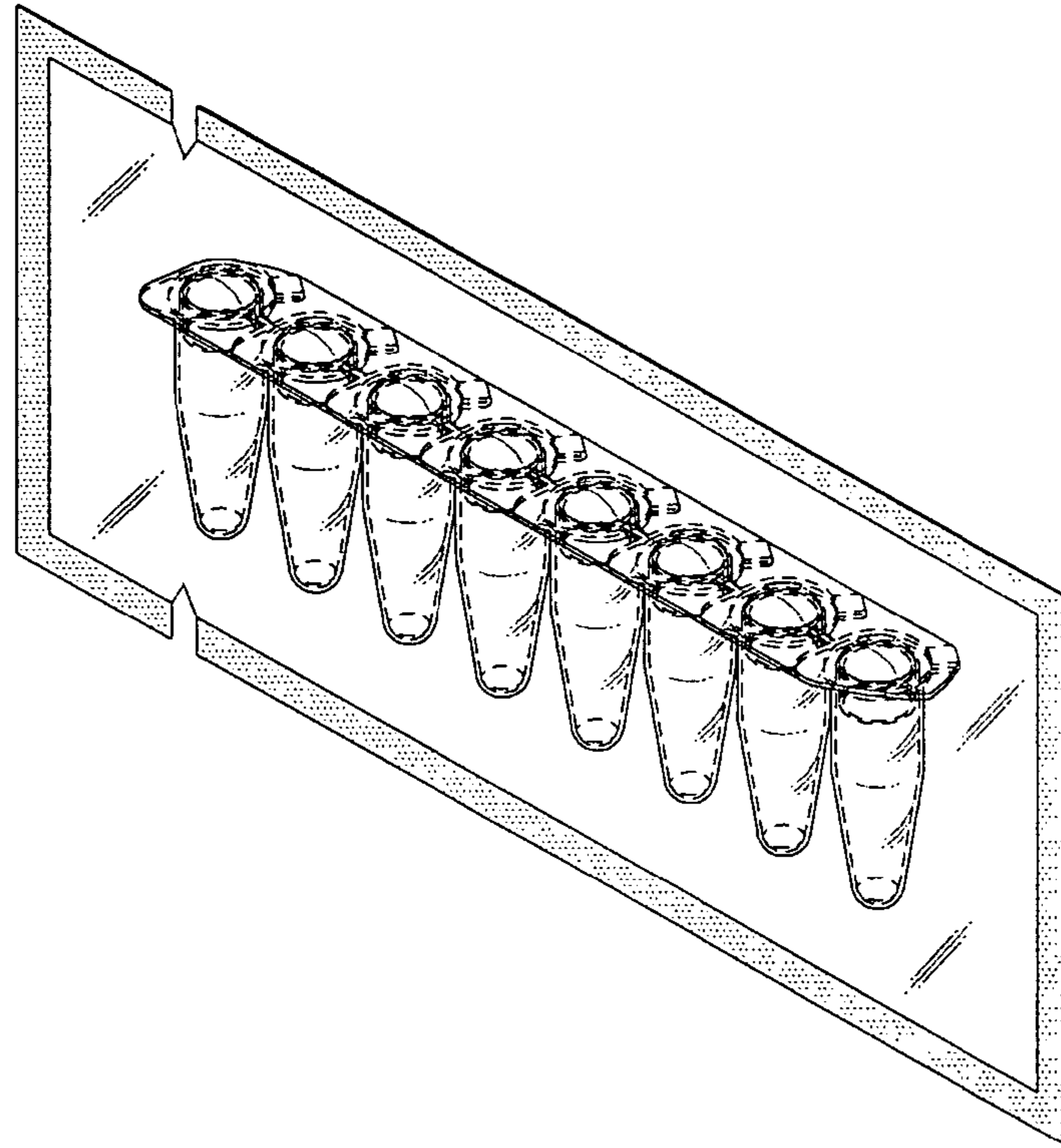


FIG. 1



FIG. 2



FIG. 3

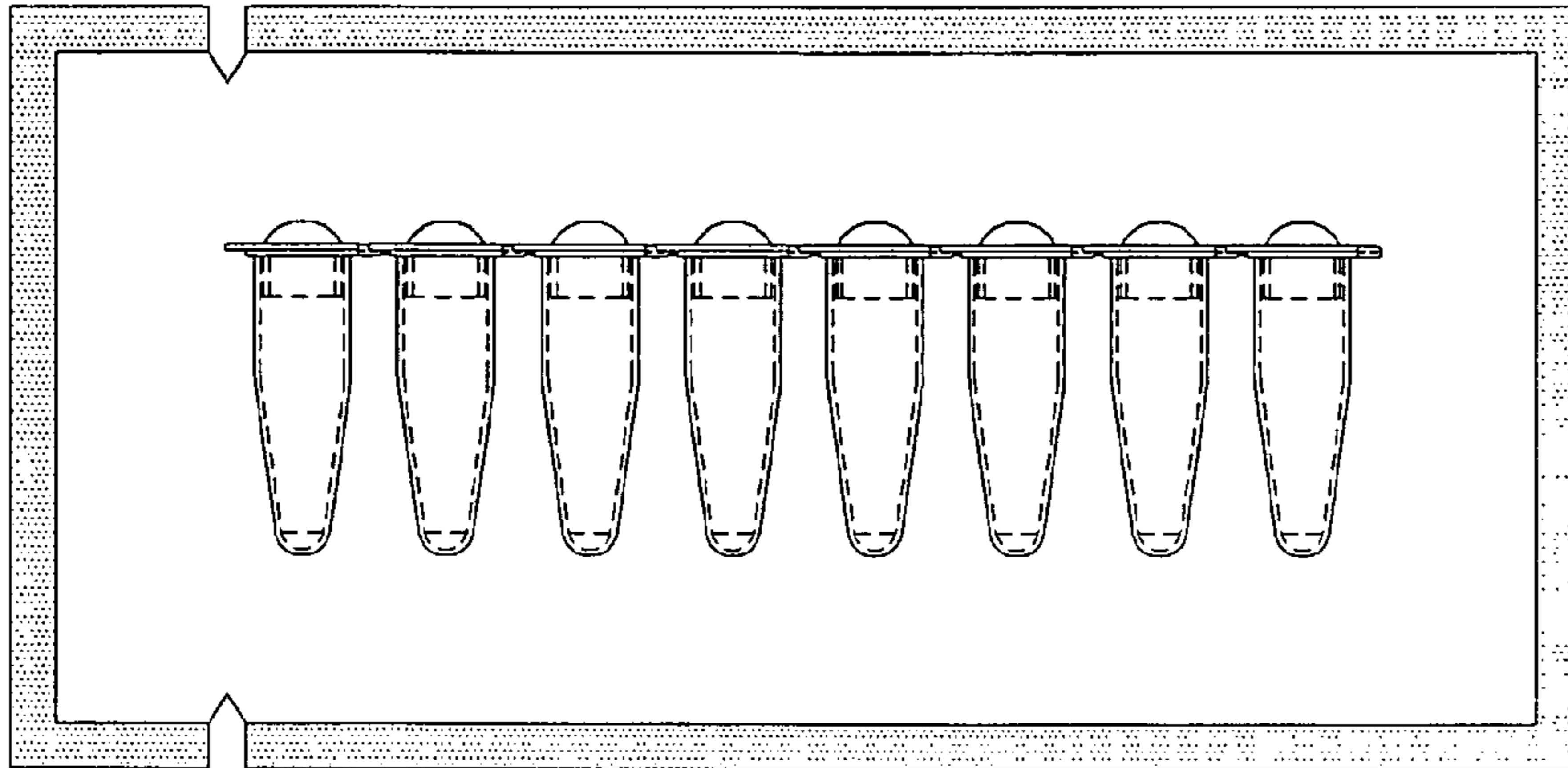


FIG. 4

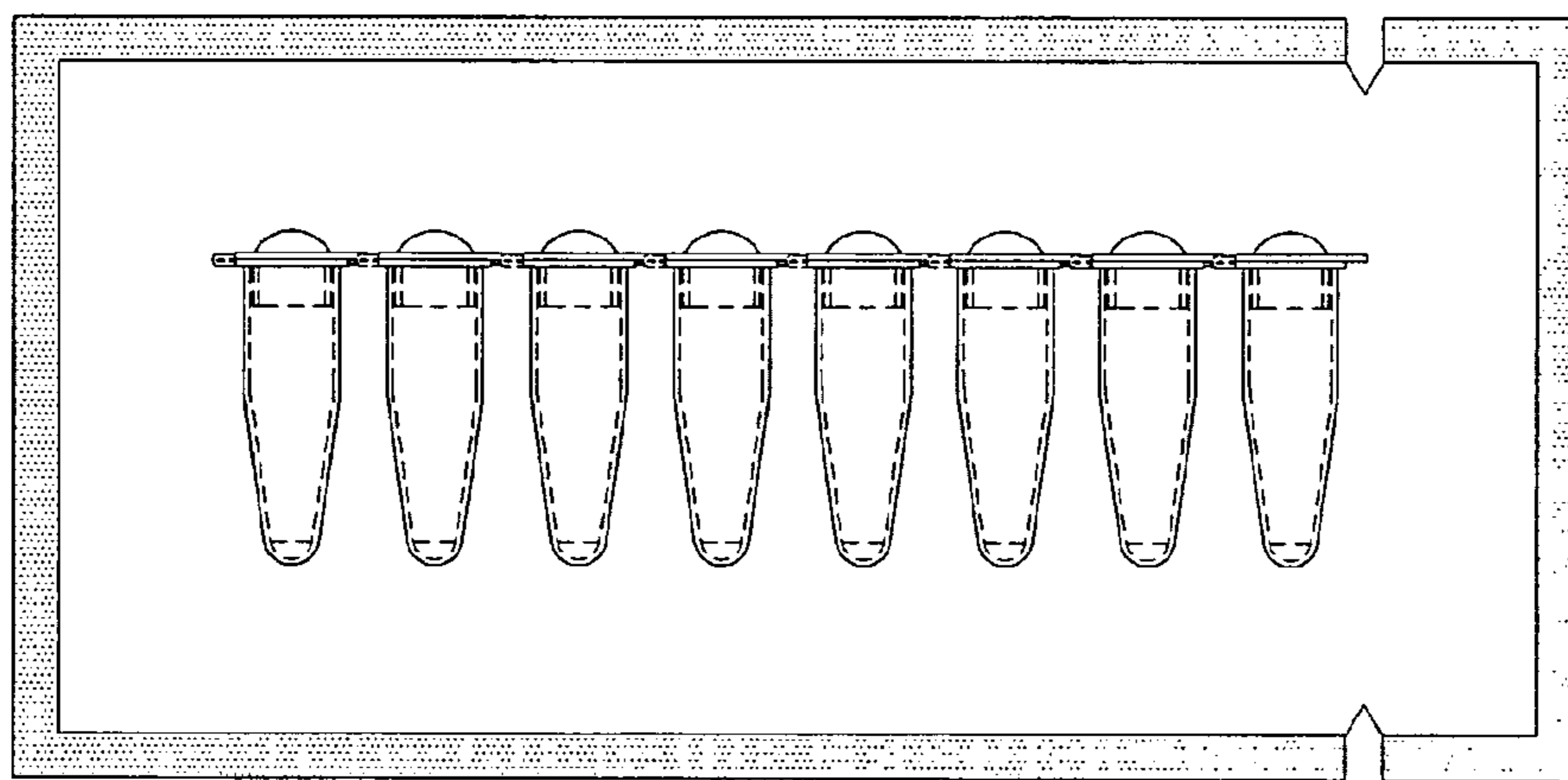


FIG. 5

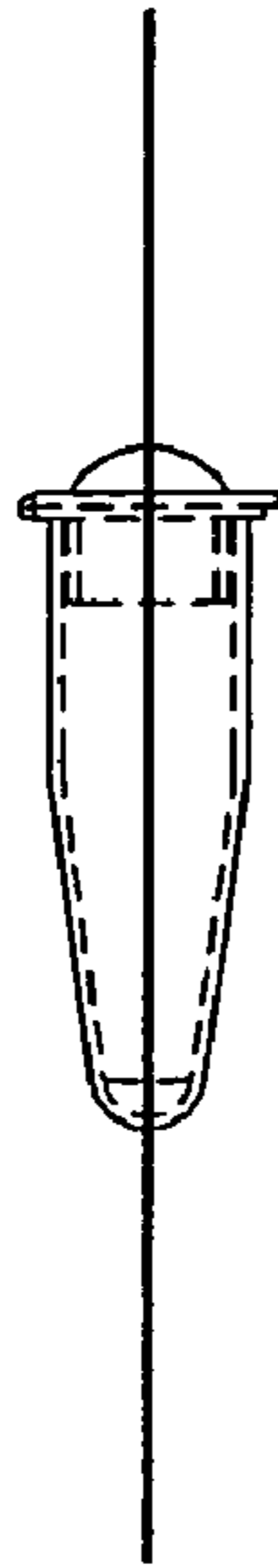


FIG. 6

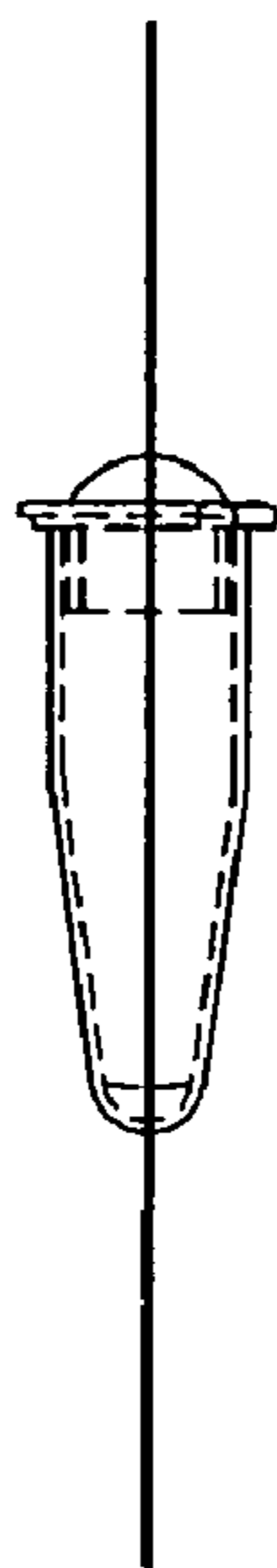


FIG. 7