



US00D576284S

(12) **United States Design Patent**
Kennedy

(10) **Patent No.:** **US D576,284 S**

(45) **Date of Patent:** **** Sep. 2, 2008**

(54) **HEAD FOR THERAPY DEVICE**

(75) Inventor: **John Kennedy**, Guelph (CA)

(73) Assignee: **Pharos Life Corporation**, Cambridge (CA)

(**) Term: **14 Years**

(21) Appl. No.: **29/281,282**

(22) Filed: **Jun. 20, 2007**

(51) **LOC (8) Cl.** **28-03**

(52) **U.S. Cl.** **D24/209**

(58) **Field of Classification Search** D24/158,
D24/200, 209, 210; 362/555, 545, 800, 294,
362/249, 267; D26/28, 49, 67, 104; 606/2-4;
607/89-90

See application file for complete search history.

(56) **References Cited**

U.S. PATENT DOCUMENTS

D520,143 S * 5/2006 Yoneda D24/209

D523,573 S * 6/2006 Lee D26/28

2006/0235493 A1 * 10/2006 Dotson 607/89

* cited by examiner

Primary Examiner—Ian Simmons
Assistant Examiner—Melanie Levy

(57) **CLAIM**

The ornamental design for a head for therapy device, as shown and described.

DESCRIPTION

FIG. 1 is a perspective view showing the top of the head for therapy device;

FIG. 2 is a perspective view showing the bottom thereof;

FIG. 3 is a left side view thereof;

FIG. 4 is a front view thereof;

FIG. 5 is a back view thereof;

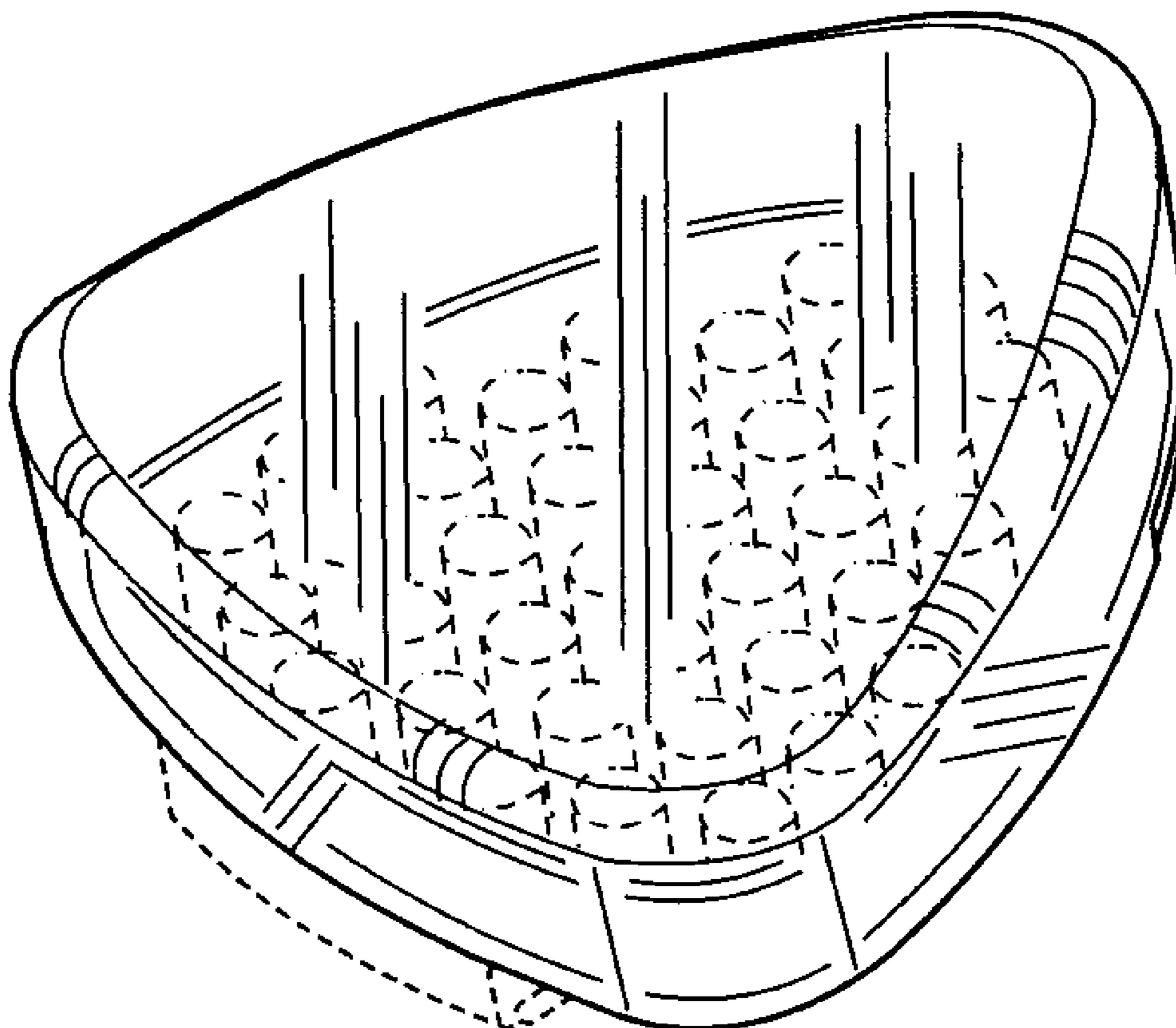
FIG. 6 is a top view thereof;

FIG. 7 is a bottom view thereof; and,

FIG. 8 is a perspective view thereof.

The broken lines are for illustrative purposes only and form no part of the claimed design.

1 Claim, 2 Drawing Sheets



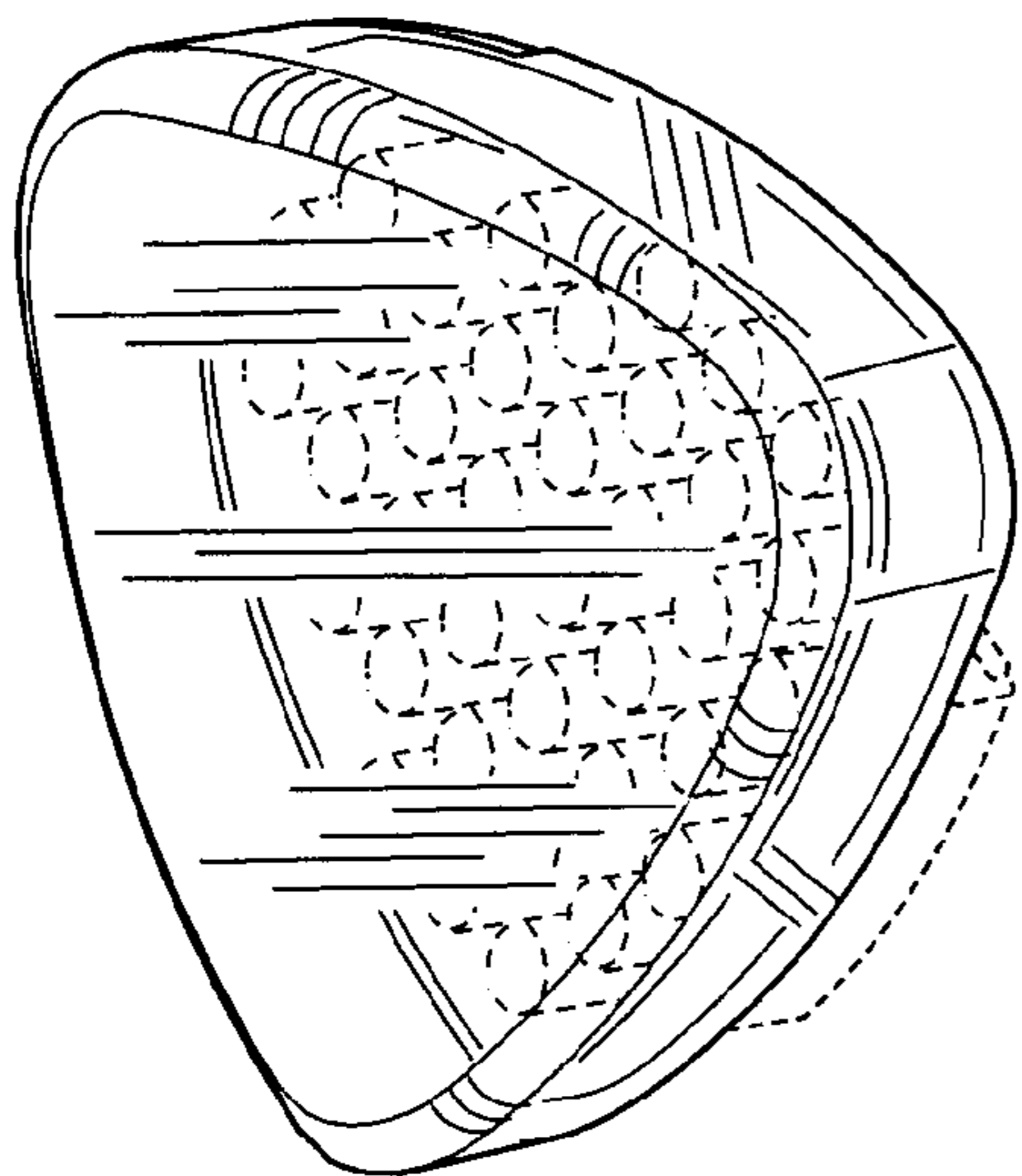


FIG. 1

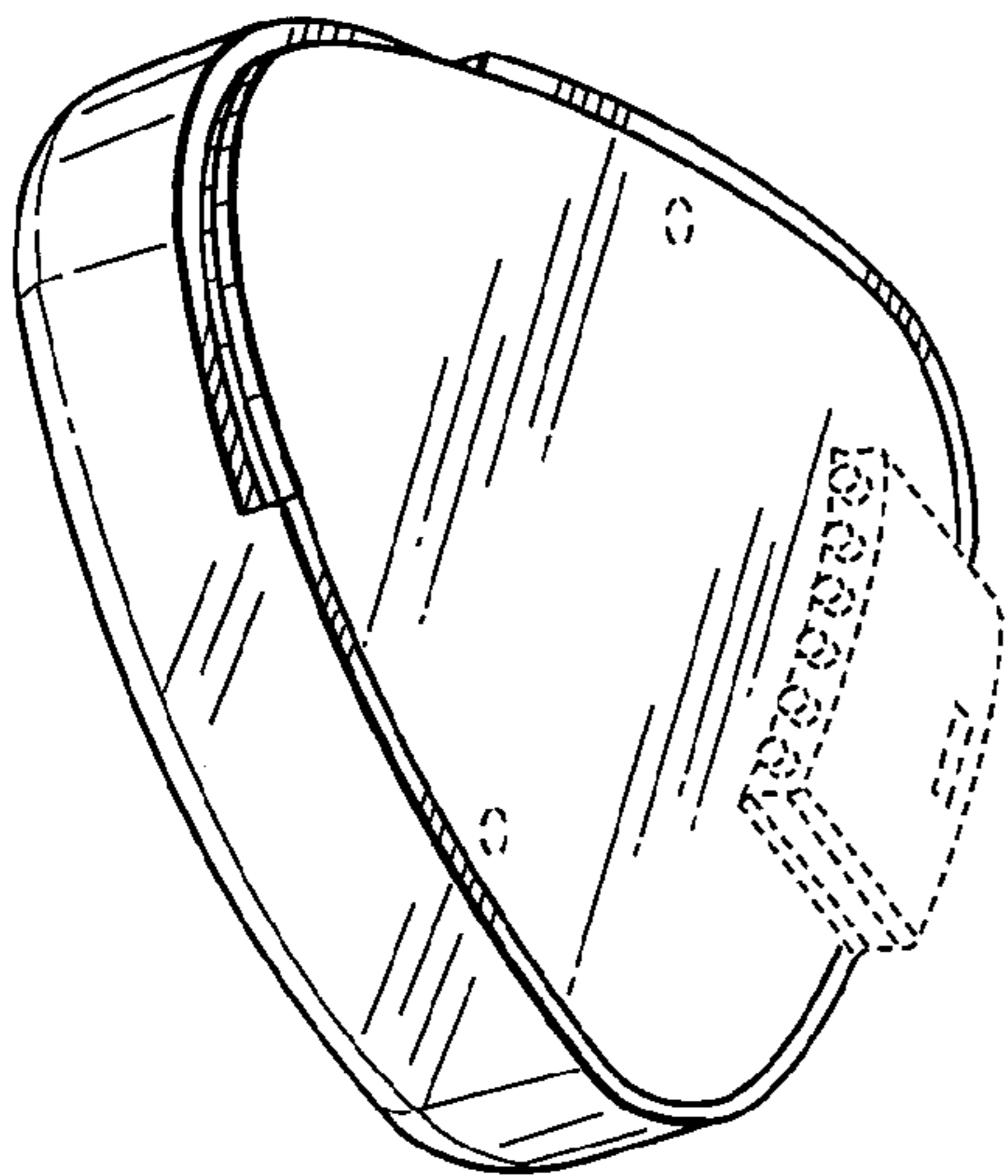


FIG. 2

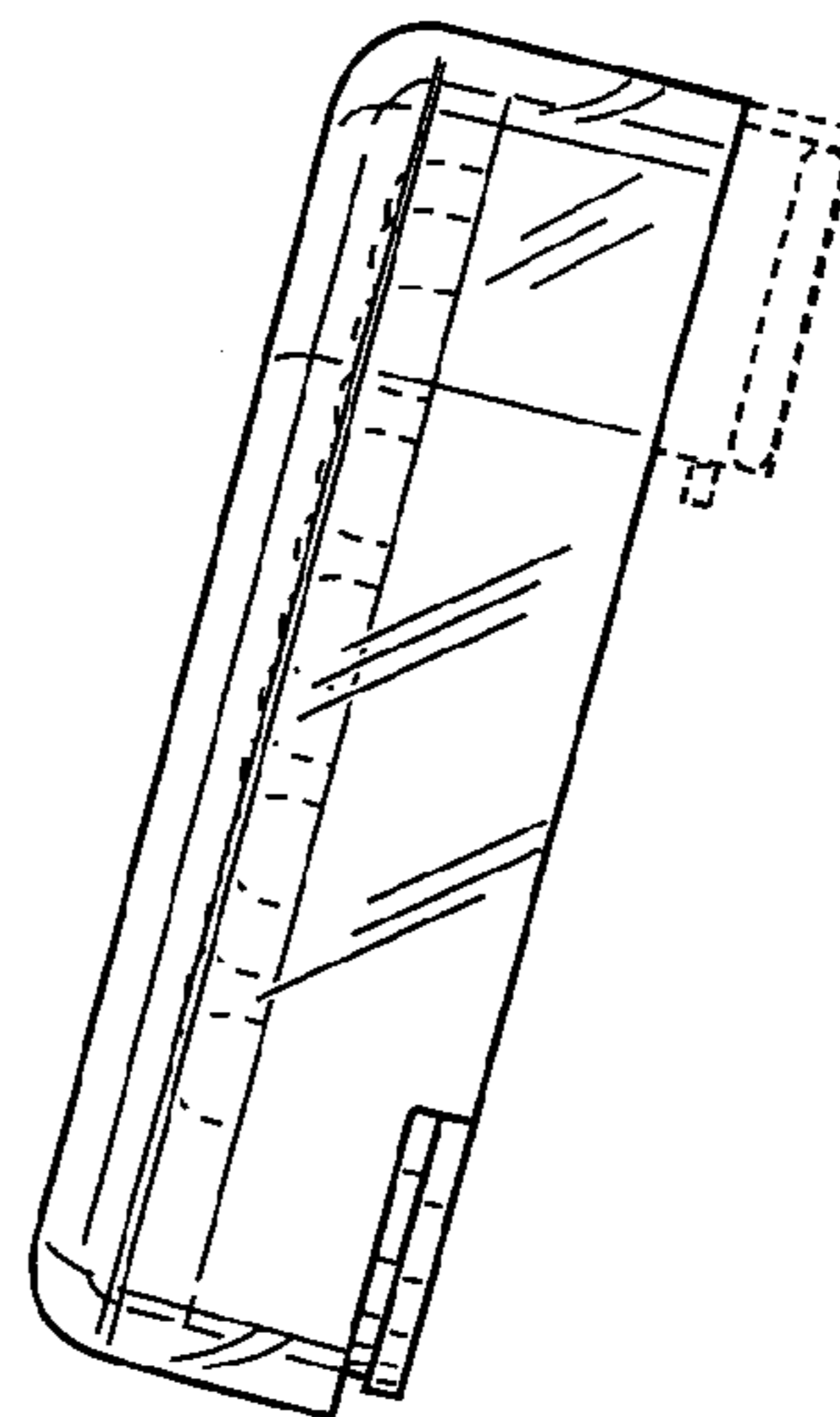


FIG. 3

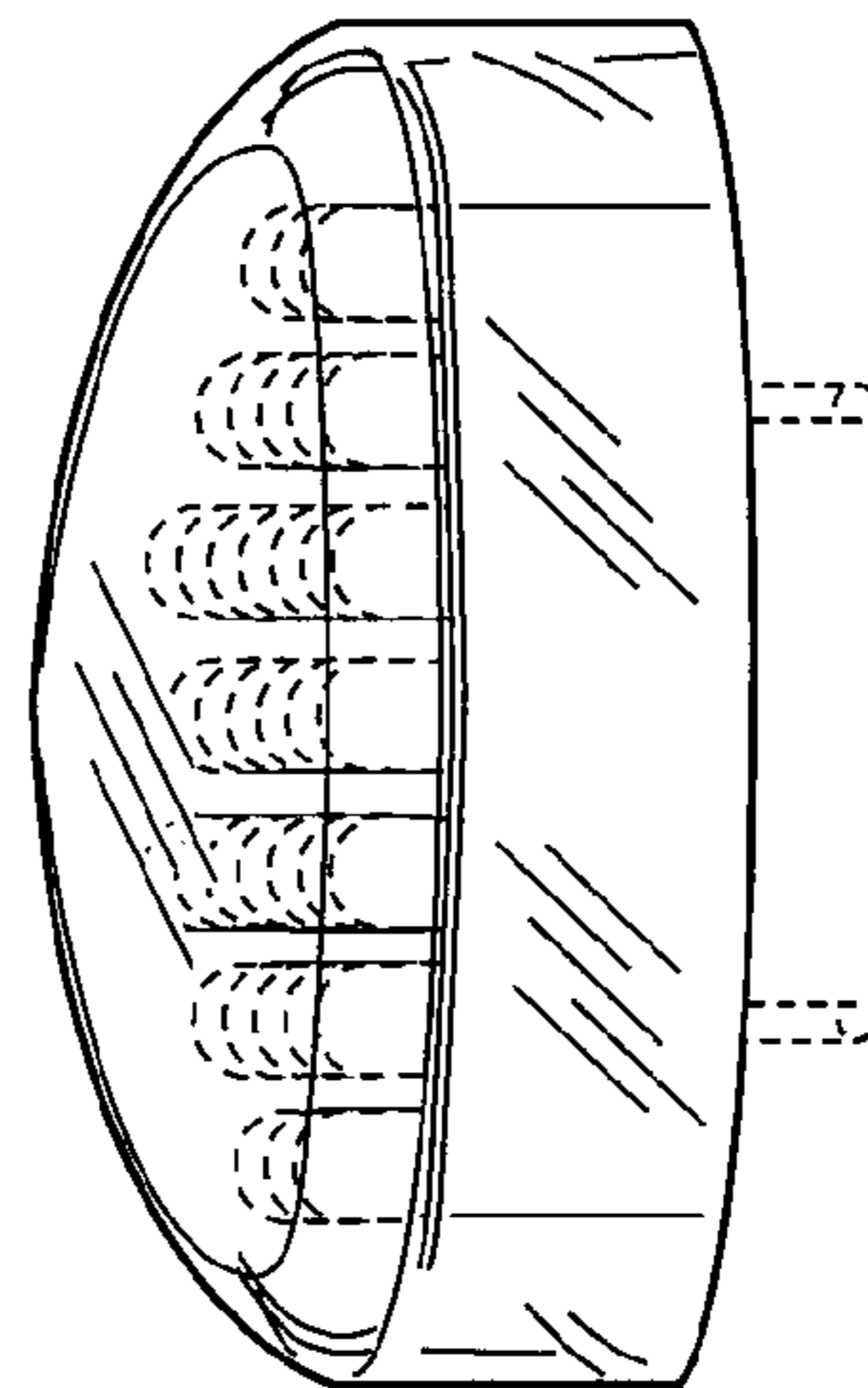


FIG. 4

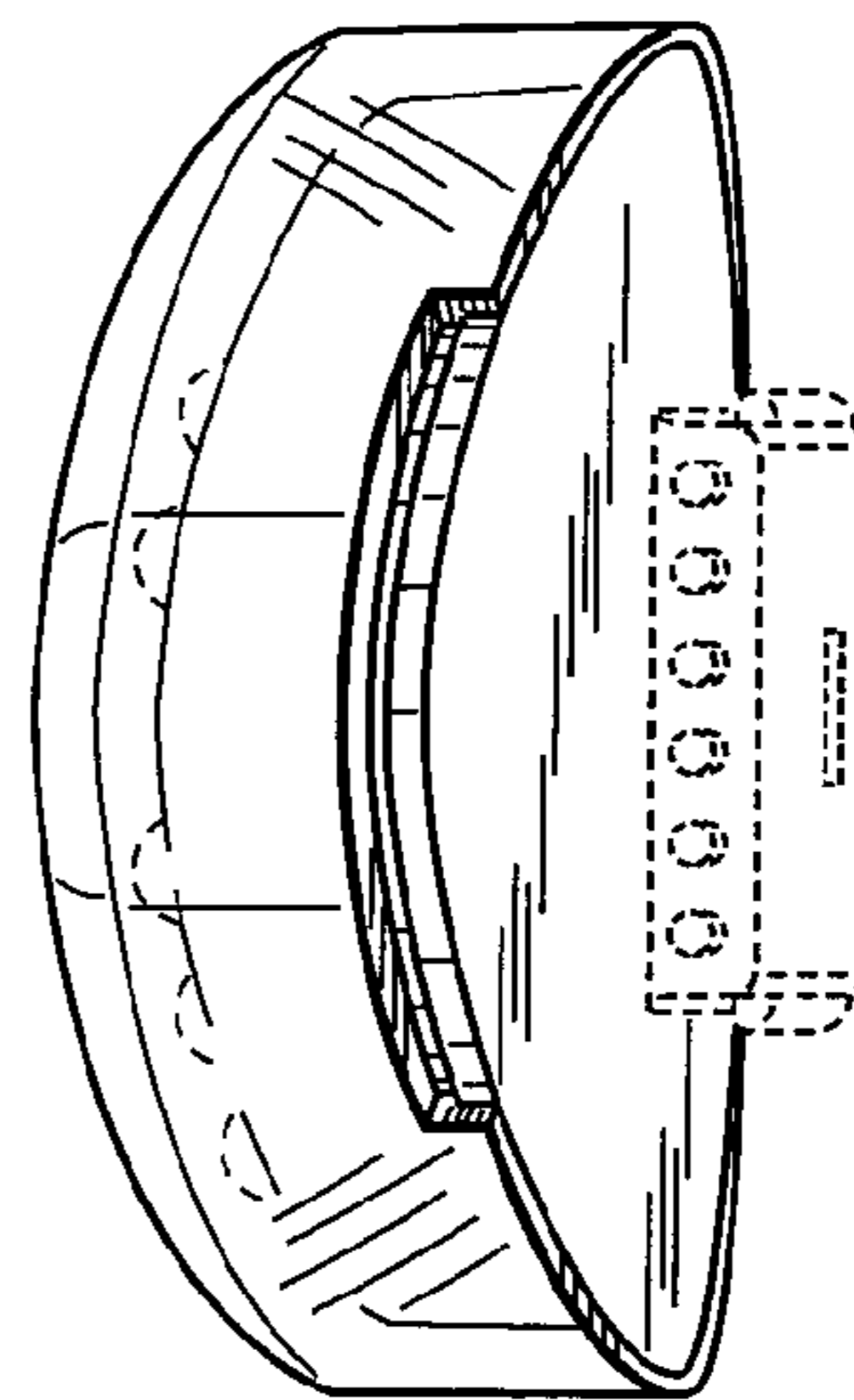


FIG. 5

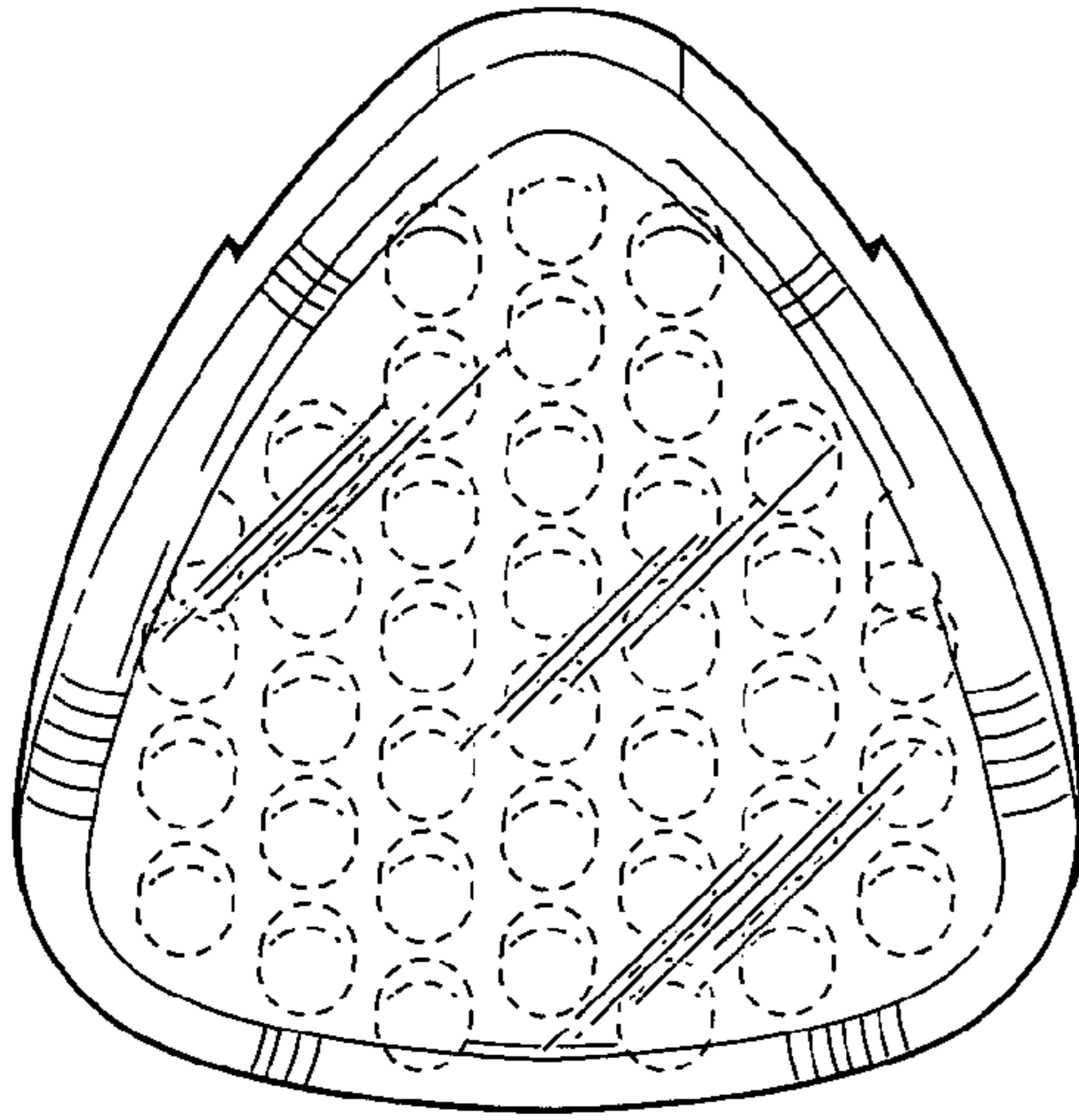


FIG. 6

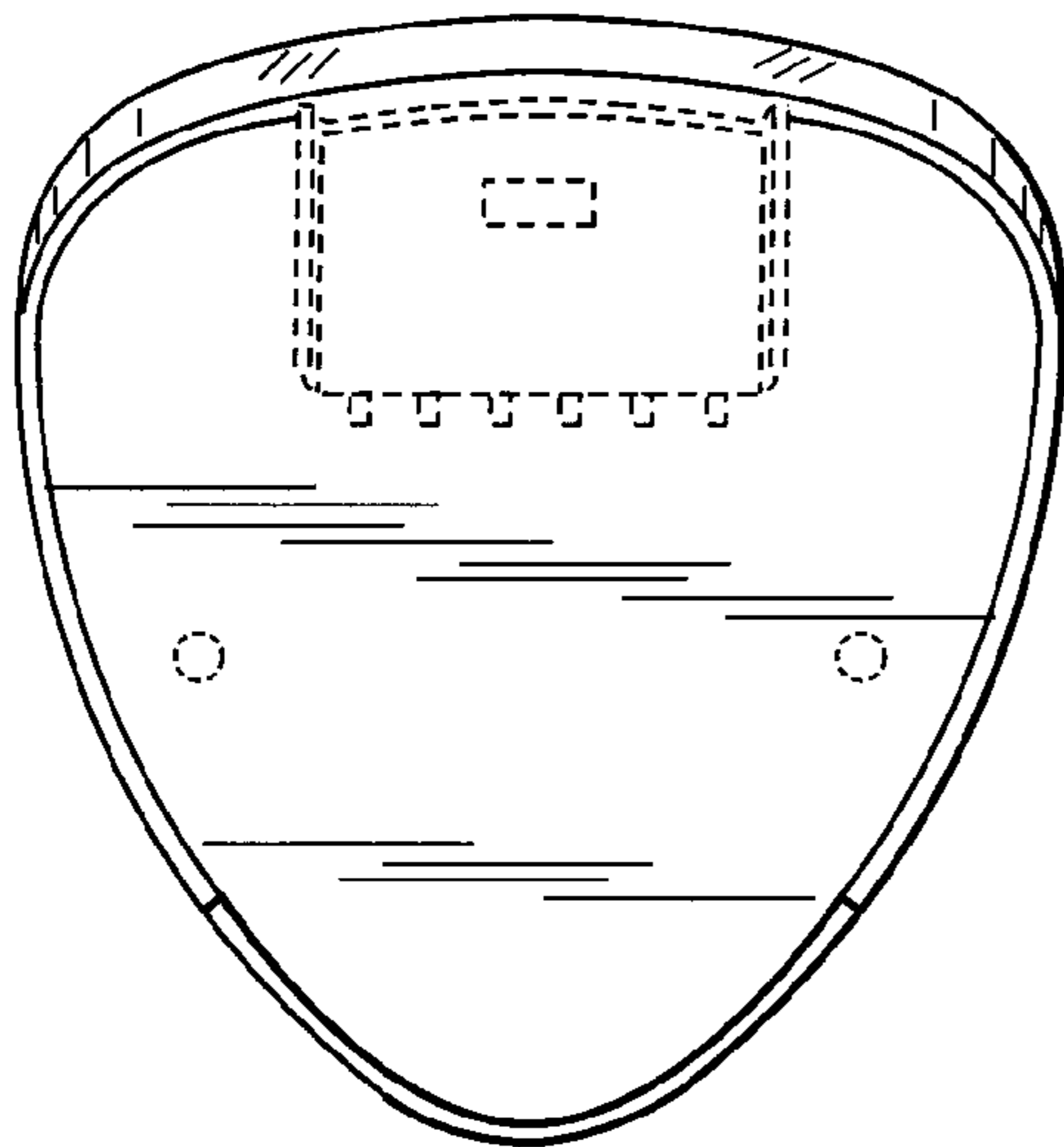


FIG. 7

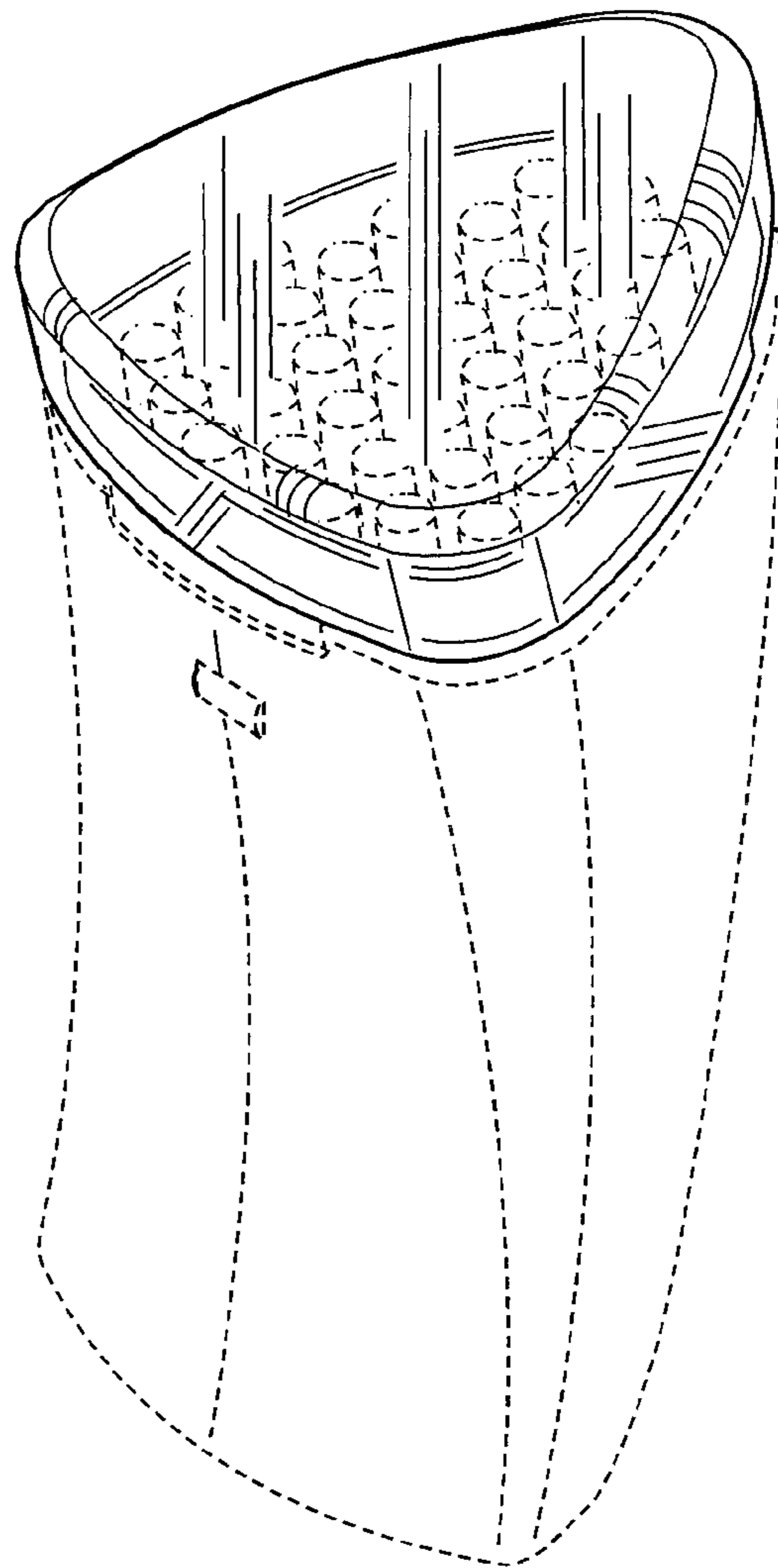


FIG. 8